

Aruba 2930F / 2930M Management and Configuration Guide for ArubaOS-Switch 16.05

aruba

a Hewlett Packard
Enterprise company

Part Number: 5200-4206
Published: December 2017
Edition: 1

Notices

The information contained herein is subject to change without notice. The only warranties for Hewlett Packard Enterprise products and services are set forth in the express warranty statements accompanying such products and services. Nothing herein should be construed as constituting an additional warranty. Hewlett Packard Enterprise shall not be liable for technical or editorial errors or omissions contained herein.

Confidential computer software. Valid license from Hewlett Packard Enterprise required for possession, use, or copying. Consistent with FAR 12.211 and 12.212, Commercial Computer Software, Computer Software Documentation, and Technical Data for Commercial Items are licensed to the U.S. Government under vendor's standard commercial license.

Links to third-party websites take you outside the Hewlett Packard Enterprise website. Hewlett Packard Enterprise has no control over and is not responsible for information outside the Hewlett Packard Enterprise website.

Acknowledgments

Intel[®], Itanium[®], Pentium[®], Intel Inside[®], and the Intel Inside logo are trademarks of Intel Corporation in the United States and other countries.

Microsoft[®] and Windows[®] are either registered trademarks or trademarks of Microsoft Corporation in the United States and/or other countries.

Adobe[®] and Acrobat[®] are trademarks of Adobe Systems Incorporated.

Java[®] and Oracle[®] are registered trademarks of Oracle and/or its affiliates.

UNIX[®] is a registered trademark of The Open Group.

Chapter 1 About this guide	28
Applicable products	28
Switch prompts used in this guide	28
Chapter 2 Time Protocols	29
General steps for running a time protocol on the switch	29
TimeP time synchronization	29
SNTP time synchronization	29
NTP time synchronization	30
timesync Command	30
Selecting a time synchronization protocol	30
Disabling time synchronization	31
TimeP: Selecting and configuring	31
Viewing, enabling, and modifying the TimeP protocol (Menu)	32
Viewing the current TimeP configuration (CLI)	33
Configuring (enabling or disabling) the TimeP mode	34
SNTP: Selecting and configuring	38
Viewing and configuring SNTP (Menu)	39
Viewing and configuring SNTP (CLI)	40
Configuring (enabling or disabling) the SNTP mode	42
SNTP client authentication	47
Requirements	47
Configuring the key-identifier, authentication mode, and key-value (CLI)	48
Configuring a trusted key	48
Associating a key with an SNTP server (CLI)	49
Enabling SNTP client authentication	49
Configuring unicast and broadcast mode for authentication	50
Viewing SNTP authentication configuration information (CLI)	50
Saving configuration files and the include-credentials command	51
SNTP unicast time polling with multiple SNTP servers	53
Displaying all SNTP server addresses configured on the switch (CLI)	53
Adding and deleting SNTP server addresses	54
Adding addresses	54
Deleting addresses	54
Operating with multiple SNTP server addresses configured (Menu)	54
SNTP messages in the Event Log	54
Network Time Protocol (NTP)	54
Commands	55
timesync ntp	55
ntp	55
[no] ntp	55
ntp enable	56
ntp authentication	57
ntp authentication key-id	58
ntp max-association	58
ntp server	59
ntp server key-id	60
ntp ipv6-multicast	61
debug ntp	61

ntp trap.....	62
show ntp statistics.....	63
show ntp status.....	63
show ntp associations.....	64
show ntp authentication.....	65
Validation rules.....	66
Event log messages.....	68
Precision Time Protocol (PTP).....	69
ptp.....	69
show ptp.....	70
Monitoring resources.....	70
Displaying current resource usage.....	70
Viewing information on resource usage.....	72
Policy enforcement engine.....	72
Usage notes for show resources output.....	73
When insufficient resources are available.....	73
Chapter 3 Port Status and Configuration.....	75
Viewing port status and configuring port parameters.....	75
Connecting transceivers to fixed-configuration devices.....	75
Viewing port configuration (Menu).....	77
Configuring ports (Menu).....	78
Viewing port status and configuration (CLI).....	79
Dynamically updating the show interfaces command (CLI/Menu).....	80
Customizing the show interfaces command (CLI).....	80
Error messages associated with the show interfaces command.....	82
show interface smartrate.....	82
Viewing port utilization statistics (CLI).....	82
Operating notes for viewing port utilization statistics.....	83
Viewing transceiver status (CLI).....	83
Operating Notes.....	84
Enabling or disabling ports and configuring port mode (CLI).....	84
Enabling or disabling flow control (CLI).....	85
Port shutdown with broadcast storm.....	87
Viewing broadcast storm.....	87
SNMP MIB.....	88
Configuring auto-MDIX.....	91
Manual override.....	91
Configuring auto-MDIX (CLI).....	92
Using friendly (optional) port names.....	93
Configuring and operating rules for friendly port names.....	93
Configuring friendly port names (CLI).....	93
Configuring a single port name (CLI).....	94
Configuring the same name for multiple ports (CLI).....	94
Displaying friendly port names with other port data (CLI).....	94
Listing all ports or selected ports with their friendly port names (CLI).....	95
Including friendly port names in per-port statistics listings (CLI).....	96
Searching the configuration for ports with friendly port names (CLI).....	96
Uni-directional link detection (UDLD).....	97
Configuring UDLD.....	98
Configuring uni-directional link detection (UDLD) (CLI).....	98
Enabling UDLD (CLI).....	99
Changing the keepalive interval (CLI).....	99
Changing the keepalive retries (CLI).....	99
Configuring UDLD for tagged ports.....	99

Viewing UDLD information (CLI)	100
Viewing summary information on all UDLD-enabled ports (CLI)	100
Viewing detailed UDLD information for specific ports (CLI)	101
Clearing UDLD statistics (CLI)	101
Uplink failure detection	101
Configuration guidelines for UFD	103
UFD enable/disable	103
UFD track data configuration	103
UFD minimum uplink threshold configuration	104
show uplink-failure-detection	104
UFD operating notes	105
Error log	105
Invalid port error messages	105
Basic USB port commands	105
usb-port	106
show usb-port	106

Chapter 4 Power Over Ethernet (PoE/PoE+) Operation 107

Introduction to PoE	107
PoE terminology	107
Planning and implementing a PoE configuration	107
Power requirements	107
Assigning PoE ports to VLANs	108
Applying security features to PoE configurations	108
Assigning priority policies to PoE traffic	108
PoE operation	108
Configuration options	109
PD support	109
Power priority operation	110
When is power allocation prioritized?	110
How is power allocation prioritized?	110
Configuring PoE operation	110
Disabling or re-enabling PoE port operation	110
Enabling support for pre-standard devices	111
Configuring the PoE port priority	111
Controlling PoE allocation	111
Manually configuring PoE power levels	112
Configuring PoE redundancy	113
Changing the threshold for generating a power notice	114
PoE/PoE+ allocation using LLDP information	115
LLDP with PoE	115
Enabling or disabling ports for allocating power using LLDP	116
Enabling PoE detection via LLDP TLV advertisement	116
LLDP with PoE+	116
Overview	116
PoE allocation	116
Viewing PoE when using LLDP information	117
Operating note	119
Viewing the global PoE power status of the switch	119
Viewing PoE status on all ports	120
Viewing the PoE status on specific ports	122
PoE Event Log messages	124

Chapter 5 Port Trunking 125

Overview of port trunking.....	125
Port connections and configuration.....	125
Port trunk features and operation.....	126
Fault tolerance.....	126
Trunk configuration methods.....	126
Dynamic LACP trunk.....	126
Using keys to control dynamic LACP trunk configuration.....	126
Static trunk.....	127
Viewing and configuring a static trunk group (Menu).....	131
Viewing and configuring port trunk groups (CLI).....	133
Viewing static trunk type and group for all ports or for selected ports.....	133
Viewing static LACP and dynamic LACP trunk data.....	134
Dynamic LACP Standby Links.....	134
Configuring a static trunk or static LACP trunk group.....	135
Removing ports from a static trunk group.....	135
Enabling a dynamic LACP trunk group.....	135
Removing ports from a dynamic LACP trunk group.....	136
Viewing existing port trunk groups (WebAgent).....	137
Trunk group operation using LACP.....	137
Default port operation.....	139
LACP notes and restrictions.....	140
802.1X (Port-based access control) configured on a port.....	141
Port security configured on a port.....	141
Changing trunking methods.....	141
Static LACP trunks.....	141
Dynamic LACP trunks.....	141
VLANs and dynamic LACP.....	141
Blocked ports with older devices.....	142
Spanning Tree and IGMP.....	142
Half-duplex, different port speeds, or both not allowed in LACP trunks.....	143
Dynamic/static LACP interoperation.....	143
Trunk group operation using the "trunk" option.....	143
How the switch lists trunk data.....	143
Outbound traffic distribution across trunked links.....	144
Trunk load balancing using port layers.....	145
Enabling trunk load balancing.....	146
Chapter 6 Port Traffic Controls.....	148
Rate-limiting.....	148
All traffic rate-limiting.....	148
Configuring in/out rate-limiting.....	148
Displaying the current rate-limit configuration.....	149
Operating notes for rate-limiting.....	151
ICMP rate-limiting.....	152
Guidelines for configuring ICMP rate-limiting.....	153
Configuring ICMP rate-limiting.....	153
Using both ICMP rate-limiting and all-traffic rate-limiting on the same interface.....	154
Viewing the current ICMP rate-limit configuration.....	155
Operating notes for ICMP rate-limiting.....	155
ICMP rate-limiting trap and Event Log messages.....	156
Determining the switch port number used in ICMP port reset commands.....	157
Configuring inbound rate-limiting for broadcast and multicast traffic.....	157
Operating Notes.....	159
Rate-limiting Unknown Unicast Traffic.....	159
rate-limit unknown-unicast in percent.....	160

rate-limit unknown-unicast in kbps.....	161
show rate-limit unknown-unicast.....	162
Guaranteed minimum bandwidth (GMB).....	163
Jumbo frames.....	163
Operating rules.....	163
Jumbo traffic-handling.....	163
Configuring jumbo frame operation.....	164
Overview.....	165
Viewing the current jumbo configuration.....	165
Enabling or disabling jumbo traffic on a VLAN.....	166
Configuring a maximum frame size.....	167
Configuring IP MTU.....	167
SNMP implementation.....	167
Displaying the maximum frame size.....	167
Operating notes for maximum frame size.....	168
Troubleshooting.....	168
A VLAN is configured to allow jumbo frames, but one or more ports drops all inbound jumbo frames.....	168
A non-jumbo port is generating "Excessive undersize/giant frames" messages in the Event Log.....	168
Chapter 7 Fault-Finder port-level link-flap.....	169
Overview.....	169
Fault-finder link-flap.....	169
Show fault-finder link-flap.....	171
Event Log.....	172
Restrictions.....	172
Chapter 8 Physical hardware removal/insertion trap generation.....	173
Current default traps.....	173
Event scenario matrix.....	173
Enabling and disabling traps.....	174
SNMP trap captures examples.....	174
Chapter 9 Fans.....	178
show system.....	178
show system fans.....	179
show system power-supply.....	181
Fan failures and SNMP traps.....	185
Chapter 10 Configuring for Network Management Applications.....	186
Using SNMP tools to manage the switch.....	186
SNMP management features.....	186
SNMPv1 and v2c access to the switch.....	187
SNMPv3 access to the switch.....	187
Enabling and disabling switch for access from SNMPv3 agents.....	188
Enabling or disabling restrictions to access from only SNMPv3 agents.....	188
Enabling or disabling restrictions from all non-SNMPv3 agents to read-only access.....	188
Viewing the operating status of SNMPv3.....	188
Viewing status of message reception of non-SNMPv3 messages.....	188
Viewing status of write messages of non-SNMPv3 messages.....	188
Enabling SNMPv3.....	188

SNMPv3 users	189
Group access levels	192
SNMPv3 communities	193
Viewing and configuring non-version-3 SNMP communities (Menu)	194
Listing community names and values (CLI)	195
SNMP notifications	196
Supported Notifications	197
General steps for configuring SNMP notifications	197
SNMPv1 and SNMPv2c Traps	197
SNMP trap receivers	198
SNMP trap when MAC address table changes	199
SNMPv2c informs	200
Configuring SNMPv3 notifications (CLI)	201
Network security notifications	204
Enabling Link-Change Traps (CLI)	206
Source IP address for SNMP notifications	207
Viewing SNMP notification configuration (CLI)	209
Configuring the MAC address count option	209
Displaying information about the mac-count-notify option	210
Advanced management: RMON	211
CLI-configured sFlow with multiple instances	212
Configuring sFlow (CLI)	212
Viewing sFlow Configuration and Status (CLI)	212
Configuring UDLD Verify before forwarding	214
UDLD time delay	214
Restrictions	215
UDLD configuration commands	215
Show commands	216
RMON generated when user changes UDLD mode	216
LLDP	216
General LLDP operation	217
LLDP-MED	217
Packet boundaries in a network topology	217
LLDP operation configuration options	217
Enable or disable LLDP on the switch	218
Enable or disable LLDP-MED	218
Change the frequency of LLDP packet transmission to neighbor devices	218
Change the Time-To-Live for LLDP packets sent to neighbors	218
Transmit and receive mode	218
SNMP notification	218
Per-port (outbound) data options	218
Remote management address	220
Debug logging	220
Options for reading LLDP information collected by the switch	220
LLDP and LLDP-MED standards compatibility	220
LLDP operating rules	221
Port trunking	221
IP address advertisements	221
Spanning-tree blocking	221
802.1X blocking	221
Configuring LLDP operation	221
Displaying the global LLDP, port admin, and SNMP notification status (CLI)	221
Configuring Global LLDP Packet Controls	223
Configuring SNMP notification support	226
Configuring per-port transmit and receive modes (CLI)	226
Basic LLDP per-port advertisement content	227
Support for port speed and duplex advertisements	229

Port VLAN ID TLV support on LLDP.....	229
Configuring the VLAN ID TLV.....	229
Viewing the TLVs advertised.....	230
SNMP support.....	231
LLDP-MED (media-endpoint-discovery).....	232
LLDP-MED endpoint support.....	232
LLDP-MED endpoint device classes.....	233
LLDP-MED operational support.....	233
LLDP-MED fast start control.....	234
Advertising device capability, network policy, PoE status and location data.....	234
Location data for LLDP-MED devices.....	237
Viewing switch information available for outbound advertisements.....	241
Displaying the current port speed and duplex configuration on a switch port.....	242
Viewing advertisements currently in the neighbors MIB.....	243
Displaying LLDP statistics.....	244
LLDP Operating Notes.....	246
Neighbor maximum.....	246
LLDP packet forwarding.....	246
One IP address advertisement per port.....	246
802.1Q VLAN Information.....	246
Effect of 802.1X Operation.....	246
Neighbor data can remain in the neighbor database after the neighbor is disconnected.....	247
Mandatory TLVs.....	247
LLDP and CDP data management.....	247
LLDP and CDP neighbor data.....	247
CDP operation and commands.....	248
Viewing the current CDP configuration of the switch.....	248
Viewing the current CDP neighbors table of the switch.....	249
Enabling and Disabling CDP Operation.....	250
Enabling or disabling CDP operation on individual ports.....	250
Configuring CDPv2 for voice transmission.....	250
Filtering CDP information.....	252
Configuring the switch to filter untagged traffic.....	253
Displaying the configuration.....	253
Filtering PVID mismatch log messages.....	254
DHCPv4 server.....	254
Introduction to DHCPv4.....	254
IP pools.....	254
DHCP options.....	254
BootP support.....	255
Authoritative server and support for DHCP inform packets.....	255
Authoritative pools.....	255
Authoritative dummy pools.....	255
Change in server behavior.....	256
DHCPv4 configuration commands.....	256
Enable/disable the DHCPv4 server.....	256
Configuring the DHCP address pool name.....	256
Authoritative.....	258
Specify a boot file for the DHCP client.....	258
Configure a default router for a DHCP client.....	258
Configure the DNS IP servers.....	258
Configure a domain name.....	259
Configure lease time.....	259
Configure the NetBIOS WINS servers.....	259
Configure the NetBIOS node type.....	259
Configure subnet and mask.....	260

Configure DHCP server options.....	260
Configure the range of IP address.....	260
Configure the static binding information.....	261
Configure the TFTP server domain name.....	261
Configure the TFTP server address.....	261
Change the number of ping packets.....	262
Change the amount of time.....	262
Configure DHCP Server to save automatic bindings.....	262
Configure a DHCP server to send SNMP notifications.....	263
Enable conflict logging on a DHCP server.....	263
Enable the DHCP server on a VLAN.....	263
Clear commands.....	263
Reset all DHCP server and BOOTP counters.....	264
Delete an automatic address binding.....	264
Show commands.....	264
Display the DHCPv4 server address bindings.....	264
Display address conflicts.....	264
Display DHCPv4 server database agent.....	264
Display DHCPv4 server statistics.....	265
Display the DHCPv4 server IP pool information.....	265
Display DHCPv4 server global configuration information.....	265
Event log.....	265
Event Log Messages.....	266
LLDP Management TLV Transmission disablement.....	268
Overview.....	268
Commands.....	268
[no] lldp config basicTlvEnable management_addr.....	268
lldp config.....	269
Show commands.....	269

Chapter 11 Captive Portal for ClearPass.....271

Requirements.....	271
Best Practices.....	271
Limitations.....	272
Features.....	272
High Availability.....	272
Load balancing and redundancy.....	272
Captive Portal when disabled.....	272
Disabling Captive Portal.....	273
Configuring Captive Portal on CPPM.....	273
Import the HP RADIUS dictionary.....	273
Create enforcement profiles.....	273
Create a ClearPass guest self-registration.....	275
Configure the login delay.....	275
Configuring the switch.....	275
Configure the URL key.....	276
Configuring a certificate for Captive Portal usage.....	277
Display Captive Portal configuration.....	277
Show certificate information.....	277
Troubleshooting.....	277
Event Timestamp not working.....	277
Cannot enable Captive Portal.....	278
Unable to enable feature.....	278
Authenticated user redirected to login page.....	279
Unable to configure a URL hash key.....	279

authentication command.....	279
show command.....	280
Debug command.....	280
Chapter 12 ZTP with AirWave Network Management.....	282
Requirements.....	282
Best Practices.....	282
Limitations.....	282
Switch configuration.....	283
Configure AirWave details in DHCP (preferred method).....	283
Configure AirWave details in DHCP (alternate method).....	288
Zero Touch Provisioning.....	295
Auto-configuration using ZTP.....	295
Disabling ZTP.....	296
Image Upgrade.....	296
Configure a switch using the CLI.....	297
Troubleshooting.....	297
View AMP server messages.....	297
Validation Rules.....	297
View configuration details.....	298
amp-server.....	298
debug ztp.....	299
Chapter 13 Auto configuration upon Aruba AP detection.....	300
Auto device detection and configuration.....	300
Requirements.....	300
Limitations.....	300
Feature Interactions.....	300
Profile Manager and 802.1X.....	300
Profile Manager and LMA/WMA/MAC-AUTH.....	301
Profile manager and Private VLANs.....	301
Procedure for creating a device identity and associating a device type.....	301
device-profile name.....	301
Rogue AP Isolation.....	303
Limitations.....	303
Feature Interactions.....	304
MAC lockout and lockdown.....	304
LMA/WMA/802.1X/Port-Security.....	304
L3 MAC.....	305
Using the Rogue AP Isolation feature.....	305
rogue-ap-isolation.....	306
rogue-ap-isolation action.....	306
rogue-ap-isolation whitelist.....	307
clear rogue-ap-isolation.....	307
Troubleshooting.....	308
Dynamic configuration not displayed when using “show running-config”.....	308
Switch does not detect the rogue AP TLVs.....	308
The show run command displays non-numerical value for untagged-vlan.....	308
Show commands.....	309
Validation Rules.....	309
Chapter 14 LACP-MAD.....	312
LACP-MAD commands.....	312

Configuration command.....	312
show commands.....	312
clear command.....	312
LACP-MAD overview.....	312

Chapter 15 Scalability IP Address VLAN and Routing Maximum Values 314

Chapter 16 File Transfers..... 316

Overview.....	316
Downloading switch software.....	316
General software download rules.....	316
Using TFTP to download software from a server.....	316
Downloading from a server to primary flash using TFTP (Menu).....	317
Troubleshooting TFTP download failures.....	319
Downloading from a server to flash using TFTP (CLI).....	320
Enabling TFTP (CLI).....	321
Configuring the switch to download software automatically from a TFTP server using auto-TFTP (CLI).....	321
Use USB to transfer files to and from the switch.....	322
Using SCP and SFTP.....	322
Enabling SCP and SFTP.....	323
Disabling TFTP and auto-TFTP for enhanced security.....	324
Enabling SSH V2 (required for SFTP).....	325
Authentication.....	326
SCP/SFTP operating notes.....	326
Troubleshooting SSH, SFTP, and SCP operations.....	327
Using Xmodem to download switch software from a PC or UNIX workstation.....	328
Downloading to primary flash using Xmodem (Menu).....	329
Downloading to primary or secondary flash using Xmodem and a terminal emulator (CLI).....	330
Switch-to-switch download.....	331
Switch-to-switch download to primary flash (Menu).....	331
Downloading the OS from another switch (CLI).....	332
Using AirWave to update switch software.....	332
Using IMC to update switch software.....	333
Copying software images.....	333
TFTP: Copying a software image to a remote host (CLI).....	333
Xmodem: Copying a software image from the switch to a serially connected PC or UNIX workstation (CLI).....	333
Copying diagnostic data.....	333
copy command-log.....	334
copy event-log.....	334
Transferring switch configurations.....	334
TFTP: Copying a configuration file to a remote host (CLI).....	335
TFTP: Copying a configuration file from a remote host (CLI).....	335
TFTP: Copying a customized command file to a switch (CLI).....	335
USB: Copying a configuration file to a USB device.....	336
USB: Copying a configuration file from a USB device.....	336
Xmodem: Copying a configuration file to a serially connected PC or UNIX workstation (CLI).....	337
Xmodem: Copying a configuration file from a serially connected PC or UNIX workstation (CLI).....	337
Transferring ACL command files.....	338
TFTP: Uploading an ACL command file from a TFTP server (CLI).....	338

Xmodem: Uploading an ACL command file from a serially connected PC or UNIX workstation (CLI)	340
Single copy command	340
Single copy command	340
Multiple management switches	343
Stacking switches	344
Standalone switches	344
Crash file options	344
Flight Data Recorder (FDR)	345
USB	345
usb-port	346
show usb-port	346
Downloading switch software using USB	346
Prerequisites	346
Copying using USB	347
copy flash usb	347
copy usb command-file	347
USB autorun	348
Using USB autorun	348
Security considerations	350
Troubleshooting autorun operations	350
Autorun secure mode	351

Chapter 17 Monitoring and Analyzing Switch Operation..... 353

Overview	353
Switch and network operations	353
Status and counters data	354
Accessing status and counters (Menu)	354
show system	354
chassislocate	356
Chassislocate at startup	357
General system information	358
Accessing system information (Menu)	358
Accessing system information (CLI)	358
Collecting processor data with the task monitor (CLI)	359
task-monitor cpu	360
Accessing system information (Menu)	361
Switch management address information access	361
show management	361
Accessing switch management address information (Menu)	361
Component information views	362
show modules	362
Viewing port status (Menu)	363
Task usage reporting	363
Switch management address information	365
Accessing switch management address information (Menu)	365
Accessing switch management address information (CLI)	366
Port Status	366
Viewing port status (CLI)	366
Viewing port status (Menu)	366
Viewing port and trunk group statistics (WebAgent)	367
Port and trunk group statistics and flow control status	367
Accessing port and trunk statistics (Menu)	368
Accessing port and trunk group statistics (CLI)	368
Displaying trunk load balancing statistics	369

Clearing trunk load balancing statistics.....	369
Resetting the port counters.....	370
Viewing the switch's MAC address tables.....	370
Accessing MAC address views and searches (CLI).....	370
Accessing MAC address views and searches (Menu).....	371
Accessing MSTP Data (CLI).....	373
Viewing internet IGMP status (CLI).....	373
Viewing VLAN information (CLI).....	375
WebAgent status information.....	377
Compatibility mode for v2 zl and zl modules.....	377
allow-v1-modules.....	377
Port status.....	378
show interfaces brief.....	378
Viewing port status (menu).....	378
Accessing port and trunk group statistics.....	378
Trunk bandwidth utilization.....	379
show interfaces.....	379
show interfaces trunk-utilization.....	381
Statistic interactions of interface counters.....	381
Reset port counters.....	383
clear statistics.....	383
Accessing port and trunk statistics (Menu).....	384
MAC address tables.....	384
MAC address views and searches.....	384
show mac-add detail.....	385
show mac-address.....	385
show mac-address <MAC-ADDRESS> detail.....	386
Using the menu to view and search MAC addresses.....	387
Finding the port connection for a specific device on a VLAN.....	387
Viewing and searching port-level MAC addresses.....	388
Determining whether a specific device is connected to the selected port.....	388
MSTP data.....	389
show spanning-tree.....	389
IP IGMP status.....	390
show ip igmp.....	390
VLAN information.....	392
show vlan.....	392
Configuring local mirroring.....	393
Local mirroring sessions.....	394
Traffic-direction criteria.....	395
interface monitor all.....	395
Mirror policy for inbound traffic.....	395
class [ipv4 ipv6].....	395
policy mirror.....	395
MAC-based criteria to select traffic.....	395
monitor mac.....	395
Remote mirroring destination on a remote switch.....	396
Remote mirroring destination on a local switch.....	396
mirror remote ip.....	396
Local mirroring destination on the local switch.....	396
mirror port.....	396
Monitored traffic.....	396
interface.....	396
monitor all.....	397
service-policy.....	397
Configuring local mirroring (Menu).....	397

Destination mirror on a remote switch.....	399
mirror endpoint.....	399
Source mirror on the local switch.....	400
mirror remote ip.....	400
Traffic-direction criteria.....	400
Configure ACL criteria to select inbound.....	400
interface monitor ip access-group.....	400
Configuring a destination switch in a remote mirroring session.....	400
Configuring a source switch in a local mirroring session.....	401
Configuring a source switch in a remote mirroring session.....	402
Selecting all traffic on a port interface for mirroring according to traffic direction.....	403
Selecting all traffic on a VLAN interface for mirroring according to traffic direction.....	404
Configuring a MAC address to filter mirrored traffic on an interface.....	405
Configuring classifier-based mirroring.....	406
Applying a mirroring policy on a port or VLAN interface.....	408
Viewing a classifier-based mirroring configuration.....	408
Viewing all mirroring sessions configured on the switch.....	409
Viewing the remote endpoints configured on the switch.....	410
Viewing the mirroring configuration for a specific session.....	411
Viewing a remote mirroring session.....	412
Viewing a MAC-based mirroring session.....	413
Viewing a local mirroring session.....	413
Viewing information on a classifier-based mirroring session.....	414
Viewing information about a classifier-based mirroring configuration.....	414
Viewing information about a classifier-based mirroring configuration.....	415
Viewing resource usage for mirroring policies.....	415
Viewing the mirroring configurations in the running configuration file.....	416
Compatibility mode.....	417
Traffic mirroring overview.....	418
Mirroring overview.....	418
Mirroring destinations.....	419
Mirroring sources and sessions.....	419
Mirroring sessions.....	419
Mirroring session limits.....	420
Selecting mirrored traffic.....	420
Mirrored traffic destinations.....	421
Local destinations.....	421
Remote destinations.....	421
Monitored traffic sources.....	421
Criteria for selecting mirrored traffic.....	422
Mirroring configuration.....	422
Remote mirroring endpoint and intermediate devices.....	423
Using the Menu to configure local mirroring.....	423
Menu and WebAgent limits.....	423
Remote mirroring overview.....	424
Quick reference to remote mirroring setup.....	425
High-level overview of the mirror configuration process.....	425
Determine the mirroring session and destination.....	425
For a local mirroring session.....	425
For a remote mirroring session.....	425
Configure a mirroring destination on a remote switch.....	426
Configure a destination switch in a remote mirroring session.....	426
Configure a mirroring session on the source switch.....	426
Configure a source switch in a remote mirroring session.....	426
Configure the monitored traffic in a mirror session.....	427
Traffic selection options.....	427
Mirroring-source restrictions.....	427

About selecting all inbound/outbound traffic to mirror.....	428
Untagged mirrored packets.....	428
About using SNMP to configure <code>no-tag-added</code>	428
Operating notes.....	429
About selecting inbound/outbound traffic using a MAC address.....	429
About selecting inbound traffic using advanced classifier-based mirroring.....	431
Classifier-based mirroring configuration.....	431
Classifier-based mirroring restrictions.....	433
About applying multiple mirroring sessions to an interface.....	434
Mirroring configuration examples.....	435
Maximum supported frame size.....	439
Enabling jumbo frames to increase the mirroring path MTU.....	440
Effect of downstream VLAN tagging on untagged, mirrored traffic.....	440
Operating notes for traffic mirroring.....	441
Troubleshooting traffic mirroring.....	443
Interface monitoring features.....	443
Configuring port and static trunk monitoring (Menu).....	444
Configuring port and static trunk monitoring (CLI).....	444
Displaying the monitoring configuration.....	445
Configuring the monitor port.....	445
Selecting or removing monitoring source interfaces.....	445

Chapter 18 MAC Address Management..... 447

Overview.....	447
Determining MAC addresses.....	447
Viewing the MAC addresses of connected devices.....	447
Viewing the switch's MAC address assignments for VLANs configured on the switch.....	448
Viewing the port and VLAN MAC addresses.....	449

Chapter 19 Troubleshooting..... 451

Overview.....	451
Troubleshooting approaches.....	451
Browser or Telnet access problems.....	452
Cannot access the WebAgent.....	452
Cannot Telnet into the switch console from a station on the network.....	452
Unusual network activity.....	453
General problems.....	453
The network runs slow; processes fail; users cannot access servers or other devices... ..	453
Duplicate IP addresses.....	453
Duplicate IP addresses in a DHCP network.....	454
The switch has been configured for DHCP/Bootp operation, but has not received a DHCP or Bootp reply.....	454
802.1Q Prioritization problems.....	454
Ports configured for non-default prioritization (level 1 to 7) are not performing the specified action.....	454
Addressing ACL problems.....	454
ACLs are properly configured and assigned to VLANs, but the switch is not using the ACLs to filter IP layer 3 packets.....	454
The switch does not allow management access from a device on the same VLAN.....	455
Error (Invalid input) when entering an IP address.....	455
Apparent failure to log all "deny" matches.....	456
The switch does not allow any routed access from a specific host, group of hosts, or subnet.....	456
The switch is not performing routing functions on a VLAN.....	456

Routing through a gateway on the switch fails.....	456
IGMP-related problems.....	458
IP multicast (IGMP) traffic that is directed by IGMP does not reach IGMP hosts or a multicast router connected to a port.....	458
IP multicast traffic floods out all ports; IGMP does not appear to filter traffic.....	458
LACP-related problems.....	458
Unable to enable LACP on a port with the <code>interface <port-number> lacp</code> command.....	458
Port-based access control (802.1X)-related problems.....	458
The switch does not receive a response to RADIUS authentication requests.....	459
The switch does not authenticate a client even though the RADIUS server is properly configured and providing a response to the authentication request.....	459
During RADIUS-authenticated client sessions, access to a VLAN on the port used for the client sessions is lost.....	459
The switch appears to be properly configured as a supplicant, but cannot gain access to the intended authenticator port on the switch to which it is connected.....	459
The supplicant statistics listing shows multiple ports with the same authenticator MAC address.....	459
The <code>show port-access authenticator <port-list> command</code> shows one or more ports remain open after they have been configured with <code>control</code> unauthorized.....	459
RADIUS server fails to respond to a request for service, even though the server's IP address is correctly configured in the switch.....	460
The authorized MAC address on a port that is configured for both 802.1X and port security either changes or is re-acquired after execution of <code>aaa port-access</code> authenticator <port-list> initialize.....	460
A trunked port configured for 802.1X is blocked.....	460
QoS-related problems.....	461
Loss of communication when using VLAN-tagged traffic.....	461
Radius-related problems.....	461
The switch does not receive a response to RADIUS authentication requests.....	461
RADIUS server fails to respond to a request for service, even though the server's IP address is correctly configured in the switch.....	461
MSTP and fast-uplink problems.....	462
Broadcast storms appearing in the network.....	462
STP blocks a link in a VLAN even though there are no redundant links in that VLAN.....	462
Fast-uplink troubleshooting.....	462
SSH-related problems.....	462
Switch access refused to a client.....	462
Executing IP SSH does not enable SSH on the switch.....	463
Switch does not detect a client's public key that does appear in the switch's public key file (<code>show ip client-public-key</code>).....	463
An attempt to copy a client public-key file into the switch has failed and the switch lists one of the following messages.....	463
Client ceases to respond ("hangs") during connection phase.....	463
TACACS-related problems.....	463
Event Log.....	463
All users are locked out of access to the switch.....	463
No communication between the switch and the TACACS+ server application.....	464
Access is denied even though the username/password pair is correct.....	464
Unknown users allowed to login to the switch.....	464
System allows fewer login attempts than specified in the switch configuration.....	465
TimeP, SNTP, or Gateway problems.....	465
The switch cannot find the time server or the configured gateway.....	465
VLAN-related problems.....	465
Monitor port.....	465

None of the devices assigned to one or more VLANs on an 802.1Q-compliant switch are being recognized.....	465
Link configured for multiple VLANs does not support traffic for one or more VLANs.....	465
Duplicate MAC addresses across VLANs.....	466
Disabled overlapping subnet configuration.....	466
Fan failure.....	467
Mitigating flapping transceivers.....	467
Fault finder thresholds.....	469
Viewing transceiver information.....	473
Viewing information about transceivers (CLI).....	474
MIB support.....	474
Viewing transceiver information.....	474
Information displayed with the detail parameter.....	475
Viewing transceiver information for copper transceivers with VCT support.....	479
Testing the Cable.....	479
Viewing transceiver information.....	481
Using the Event Log for troubleshooting switch problems.....	483
Event Log entries.....	483
Using the Menu.....	494
Using the CLI.....	495
Clearing Event Log entries.....	496
Turning event numbering on.....	496
Using log throttling to reduce duplicate Event Log and SNMP messages.....	497
Log throttle periods.....	497
Example: of event counter operation.....	498
Reporting information about changes to the running configuration.....	499
Debug/syslog operation.....	499
Debug/syslog messaging.....	499
Hostname in syslog messages.....	500
Logging origin-id.....	500
Viewing the identification of the syslog message sender.....	502
SNMP MIB.....	504
Debug/syslog destination devices.....	504
Debug/syslog configuration commands.....	505
Configuring debug/syslog operation.....	508
Viewing a debug/syslog configuration.....	510
Debug command.....	512
Debug messages.....	512
Debug destinations.....	514
Logging command.....	515
Configuring a syslog server.....	516
Adding a description for a Syslog server.....	518
Adding a priority description.....	519
Configuring the severity level for Event Log messages sent to a syslog server.....	519
Configuring the system module used to select the Event Log messages sent to a syslog server.....	520
Enabling local command logging.....	520
Operating notes for debug and Syslog.....	521
Diagnostic tools.....	522
Port auto-negotiation.....	522
Ping and link tests.....	522
Ping test.....	522
Link test.....	522
Executing ping or link tests (WebAgent).....	522
Testing the path between the switch and another device on an IP network.....	523
Issuing single or multiple link tests.....	525
Tracing the route from the switch to a host address.....	525

Halting an ongoing traceroute search.....	527
A low maxttl causes traceroute to halt before reaching the destination address.....	527
If a network condition prevents traceroute from reaching the destination.....	528
Viewing switch configuration and operation.....	528
Viewing the startup or running configuration file.....	528
Viewing the configuration file (WebAgent).....	529
Viewing a summary of switch operational data.....	529
Saving show tech command output to a text file.....	530
Customizing show tech command output.....	531
Viewing more information on switch operation.....	533
Searching for text using pattern matching with show command.....	534
Displaying the information you need to diagnose problems.....	536
Restoring the factory-default configuration.....	536
Resetting to the factory-default configuration.....	537
Using the CLI.....	537
Using Clear/Reset.....	537
Restoring a flash image.....	537
Recovering from an empty or corrupted flash state.....	537
DNS resolver.....	539
Basic operation.....	539
Configuring and using DNS resolution with DNS-compatible commands.....	540
Configuring a DNS entry.....	541
Using DNS names with ping and traceroute: Example:.....	542
Viewing the current DNS configuration.....	544
Operating notes.....	544
Event Log messages.....	545
Locating a switch (Locator LED).....	545

Chapter 20 Job Scheduler.....	546
Job Scheduler.....	546
Commands.....	546
Job at delay enable disable	546
Show job.....	547
Show job <Name>.....	547

Chapter 21 Configuration backup and restore without reboot.....	549
Overview.....	549
Benefits of configuration restore without reboot.....	549
Recommended scenarios.....	549
Use cases.....	549
Switching to a new configuration.....	550
Rolling back to a stable configuration using job scheduler.....	551
Commands used in switch configuration restore without reboot.....	552
Configuration backup.....	552
cfg-backup.....	553
show config files.....	553
Configuration restore without reboot	555
cfg-restore.....	555
Force configuration restore.....	557
cfg-restore non-blocking.....	558
cfg-restore recovery-mode.....	559
cfg-restore verbose.....	561
cfg-restore config_bkp.....	562
Configuration restore with force option.....	563

System reboot commands.....	564
Configuration restore without force option.....	565
show cfg-restore status.....	565
Viewing the differences between a running configuration and a backup configuration.....	567
Show commands to show the SHA of a configuration.....	569
show hash.....	569
Scenarios that block the configuration restoration process.....	570
Limitations.....	570
Blocking of configuration from other sessions.....	570
Troubleshooting and support.....	571
debug cfg-restore.....	571
Chapter 22 Virtual Technician.....	572
Cisco Discovery Protocol (CDP).....	572
Show cdp traffic.....	572
Clear cdp counters.....	572
Enable/Disable debug tracing for MOCANA code.....	573
Debug security.....	573
User diagnostic crash via Front Panel Security (FPS) button.....	573
Front panel security password-clear.....	573
Front-panel-security diagnostic-reset.....	574
[no] front-panel-security diagnostic-reset.....	574
Front-panel-security diagnostic-reset clear-button.....	575
[No] front-panel-security diagnostic-reset clear-button.....	575
Show front-panel-security.....	576
Diagnostic table.....	576
Validation rules.....	577
FPS Error Log.....	577
User initiated diagnostic crash via the serial console.....	578
Front-panel-security diagnostic-reset serial-console.....	578
[No] front-panel-security diagnostic-reset serial-console.....	579
Serial console error messages.....	579
Chapter 23 IP Service Level Agreement.....	581
Overview.....	581
How IP SLA works.....	583
Configuration commands.....	584
[no] ip-sla <ID>.....	584
ip-sla <ID> clear.....	585
[no] ip-sla <ID> history-size.....	585
[no] ip-sla <ID> icmp-echo.....	585
[no] ip-sla <ID> udp-echo.....	585
[no] ip-sla <ID> tcp-connect.....	586
[no] ip-sla <ID> monitor threshold-config.....	586
[no] ip-sla <ID> monitor packet-loss.....	586
[no] ip-sla <ID> monitor test-completion.....	587
[no] ip-sla <ID> schedule.....	587
[no] ip-sla <ID> tos.....	587
[no] ip-sla responder.....	587
[no] ip-sla <ID> udp-jitter.....	588
[no] ip-sla <ID> udp-jitter-voip.....	588
Show commands.....	588
show ip-sla <ID>.....	588
show ip-sla <ID> history.....	589

show ip-sla <ID> message-statistics.....	590
show ip-sla <ID> results.....	590
show ip-sla <ID> aggregated-results.....	591
show ip-sla responder.....	592
show ip-sla responder statistics.....	593
show tech ip-sla.....	593
clear ip-sla responder statistics.....	595
Validation rules.....	596
Event log messages.....	598
Interoperability.....	599
IP SLA UDP Jitter and Jitter for VoIP.....	599
Overview.....	600
Significance of jitter.....	600
Solution components.....	600
SLA Measurements.....	601
Chapter 24 Aruba Central integration.....	604
Aruba Central Network Management Solution Overview.....	604
LED Blink feature.....	605
Configuration commands.....	605
aruba-central.....	605
Show commands.....	606
show aruba-central.....	606
Activating ArubaOS-Switch Firmware Integration.....	606
activate software-update enable.....	607
activate software-update check.....	607
activate software-update update.....	608
show activate software-update.....	608
Chapter 25 Easing Wired/Wireless Deployment feature integration.....	610
Overview.....	610
Configuration commands.....	610
allow-jumbo-frames.....	610
Validation rules.....	611
Default AP Profile.....	611
device-profile.....	611
Associating a device with a profile.....	612
device-profile type.....	612
Configuring the rogue-ap-isolation command.....	613
rogue-ap-isolation.....	613
VXLAN show commands.....	614
show device-profile.....	614
show command device-profile status.....	615
Show rogue-ap-isolation.....	615
Chapter 26 IPsec for AirWave Connectivity.....	617
Overview.....	617
Applicable products.....	617
AirWave details.....	617
IPsec for Management Traffic.....	617
IPsec Tunnel Establishment.....	617
IPsec Tunnel Failures.....	617
AirWave IP after discovery.....	618

Configuring the Aruba controller.....	618
AirWave Controller IP configuration commands.....	621
aruba-vpn type.....	621
Show commands.....	622
show aruba-vpn.....	622
show ip route.....	623
show interfaces tunnel aruba-vpn.....	623
show ip counters tunnel aruba-vpn.....	624
show crypto-ipsec sa.....	626
show running-configuration.....	627

Chapter 27 Local user roles..... 628

Overview.....	628
Captive-portal commands.....	630
Overview.....	630
[no] aaa authentication captive-portal profile.....	630
Validation rules.....	631
Policy commands.....	632
Overview.....	632
policy user.....	632
[no] policy user.....	632
policy resequence.....	633
Commands in the policy-user context.....	633
(policy-user)# class.....	633
User role configuration.....	634
aaa authorization user-role.....	634
Error log.....	635
captive-portal-profile.....	636
policy.....	636
reauth-period.....	636
Validation rules.....	637
VLAN commands.....	637
vlan-id.....	637
vlan-name.....	637
VLAN range commands.....	638
Applying a UDR.....	639
aaa port-access local-mac apply user-role.....	639
VXLAN show commands.....	639
show captive-portal profile.....	639
show user-role.....	640
show port-access clients.....	641
Per-user tunneled node.....	642
tunneled-node-server-redirect.....	643
show user-role.....	644
show tunneled-node-server information.....	645
show tunneled-node-users.....	647
ip source-interface tunneled-node-server.....	649
Using Downloadable User Roles with PUTN.....	650
Tagged VLAN for user role.....	651
vlan-id-tagged.....	652
user-role vlan-id.....	652
Downloadable user-roles.....	653
aaa authorization user-role enable download.....	653
radius-server cppm identity.....	654
downloadable-role-delete.....	655

show user-role <XYZ>.....	655
show port-access clients.....	656
debug usertn.....	657
Chapter 28 Port QoS Trust Mode.....	659
Overview.....	659
Configuration commands.....	659
qos trust.....	659
qos dscp-map.....	660
Show commands.....	660
show qos trust.....	660
Validation rules.....	661
Chapter 29 Tunneled node.....	663
Overview.....	663
Operating notes.....	663
Protocol Application Programming Interface (PAPI).....	663
Configuration commands.....	664
tunneled-node-server.....	664
interface tunneled-node-server.....	665
controller-ip.....	665
keepalive.....	665
backup-controller-ip.....	665
fallback-local-switching.....	666
VLAN show commands.....	666
show tunneled-node-server.....	666
clear statistics tunneled-node-server.....	667
Interaction table.....	667
Restrictions.....	668
PAPI security.....	669
Protocol Application Programming Interface (PAPI).....	669
PAPI configurable secret key.....	670
papi-security.....	670
Preventing double tunneling of Aruba Access Points.....	672
Preventing double tunneling using device profile parameter.....	672
device-profile name.....	672
Chapter 30 Time Domain Reflectometry.....	676
Virtual cable testing.....	676
Test cable-diagnostics.....	676
show cable-diagnostics.....	679
clear cable-diagnostics.....	679
Limitations.....	679
Chapter 31 Link Layer Discovery Protocol bypass authentication.....	681
Overview.....	681
Configuration commands.....	681
aaa port-access lldp-bypass.....	681
Validation rules.....	682
Show commands.....	683
show port-access lldp-bypass clients.....	683
show port-access lldp-bypass config.....	684

Error Log.....	685
Debug log.....	686

Chapter 32 Virtual Switching Framework (VSF)..... 687

List of abbreviated terms.....	687
Overview of VSF.....	687
Benefits of VSF.....	689
VSF domain ID.....	690
VSF link.....	690
Physical VSF ports.....	690
VSF member ID.....	690
Interface naming conventions.....	691
VSF member roles.....	691
Member priority.....	692
Supported topologies.....	692
Running-configuration synchronization.....	693
VSF discovery Plug-and-Play.....	693
Configuring VSF Plug-n-Play.....	693
VSF split.....	693
VSF merge.....	694
VSF commands.....	694
Configuration commands.....	694
vsf enable.....	695
vsf disable.....	695
vsf member link.....	695
vsf domain.....	697
vsf member.....	697
vsf member shutdown.....	698
vsf member reboot.....	698
vsf member remove.....	699
vsf member priority.....	700
vsf member type.....	700
snmp-server enable traps vsf.....	701
vsf port-speed.....	702
vsf vlan-mad.....	702
vsf lldp-mad ipv4.....	702
Show commands.....	703
show vsf.....	703
show vsf detail.....	704
show vsf link.....	706
show vsf link detail.....	707
show vsf member.....	708
show vsf topology.....	709
show vsf topology detail.....	710
show vsf topology change-history.....	711
show vsf lldp-mad.....	711
show vsf vlan-mad.....	712
show vsf trunk-designated-forwarder.....	713
show cpu.....	713
show power-over-ethernet.....	714
show system information.....	714
show system information vsf member.....	715
show system fans.....	717
show system chassislocate.....	718
show system power-supply.....	719

show uptime.....	719
Support commands.....	719
copy core-dump.....	719
copy fdr-log.....	720
copy crash-log.....	720
copy crash-data.....	720
show boot-history.....	721
core-dump.....	721
erase fdr-log vsf.....	722
copy crash-files.....	722
VSF configuration.....	722
Manual configuration of a VSF.....	723
Manual configuration with multiple ports bundled in a VSF link.....	726
Automatic configuration of a VSF fabric.....	728
Port speed.....	732
VSF port LED front panel.....	732
VSF port LEDs.....	733
Diagnostic tips for stacking error.....	733
LED 1 and LED 2 display solid green color, whereas, LED 3 displays solid orange.....	734
LED 1 displays slow flash orange, LED 2 displays solid green, whereas, LED 3 displays different colors.....	734
LED 1 displays slow flash orange and LED 2 displays solid green color, whereas, LED 3 displays different colors.....	735
LED 1 and LED 2 display solid green, whereas, LED 3 displays different colors.....	735
Locating LED behavior in stacking system.....	736
VSF restrictions.....	737
VSF Use Cases.....	737
Use Case 1: Multiple Active Detection.....	737
Use Case 2: Replacing a switch in a stack.....	739
Use Case 3: Changing VSF link speed.....	740
Use Case 4: Adding a switch to a stack.....	742

Chapter 33 Net-destination and Net-service..... 744

Net-service Overview.....	744
net-service [tcp udp port].....	744
Net-destination overview.....	745
net-destination host [position network].....	746
show net-destination.....	747

Chapter 34 Device Profile for custom device types..... 748

Procedure for creating a device identity and associating a device type.....	748
---	-----

Chapter 35 Dynamically detecting LLDP device profiles..... 749

device-profile.....	749
device-profile type-device.....	749
device-profile device-type enable.....	750
Associating a profile with a device.....	751
device-profile device-type associate.....	751
show device-profile status.....	751
show device-profile config.....	752
show device-identity.....	753

Chapter 36 Static IP Visibility	755
Static IP Visibility.....	755
IP client-tracker.....	755
Chapter 37 Network Out-of-Band Management (OOBM)	758
OOBM concepts.....	758
OOBM and switch applications.....	759
Example.....	760
OOBM Configuration.....	760
Entering the OOBM configuration context from the general configuration context.....	761
Enabling and disabling OOBM.....	761
Enabling and disabling the OOBM port.....	761
Setting the OOBM port speed.....	762
Configuring an OOBM IPv4 address.....	762
Configuring an OOBM IPv4 default gateway.....	763
Configuring an IPv6 default gateway for OOBM devices.....	763
oobm ipv6 default-gateway.....	763
oobm member ipv6 default-gateway.....	764
IPv6 default router preferences.....	764
ipv6 nd ra router-preference.....	765
OOBM show commands	765
Showing the global OOBM and OOBM port configuration.....	766
Showing OOBM IP configuration.....	766
Showing OOBM ARP information.....	766
show oobm ipv6.....	766
show oobm ipv6 (for stacked switches).....	767
show oobm ipv6 member (for stacked switches).....	768
show oobm ip detail (for stacked switches).....	768
Application server commands.....	769
Application client commands.....	770
Chapter 38 Websites	773
Chapter 39 Support and other resources	774
Accessing Hewlett Packard Enterprise Support.....	774
Accessing updates.....	774
Customer self repair.....	775
Remote support.....	775
Warranty information.....	775
Regulatory information.....	776
Documentation feedback.....	776
Remote Device Deployment (TR-069)	777
Introduction.....	777
Advantages of TR-069.....	778
Zero-touch configuration process.....	779
Zero-touch configuration setup and execution.....	782
CLI commands.....	782
Configuration setup.....	782
ACS password configuration.....	783

When encrypt-credentials is off.....	783
When encrypt-credentials is on.....	784
ACS URL configuration.....	784
ACS username configuration.....	784
CPE configuration.....	784
CPE password configuration.....	785
When encrypt-credentials is on.....	785
When encrypt-credentials is off.....	785
CPE username configuration.....	785
Enable/disable CWMP.....	786
Show commands.....	786
CWMP configuration and status query.....	786
Event logging.....	787
System logging.....	787
Status/control commands.....	788

Configuration backup and restore without reboot.....790

Glossary.....792

This guide provides information on how to configure, manage, and monitor basic switch operation.

Applicable products

This guide applies to these products:

Aruba 2930F Switch Series (JL253A, JL254A, JL255A, JL256A, JL258A, JL259A, JL260A, JL261A, JL262A, JL263A, JL264A, JL557A, JL558A, JL559A)

Aruba 2930M Switch Series (JL319A, JL320A, JL321A, JL322A, JL323A, JL324A)

Switch prompts used in this guide

Examples in this guide are representative and may not match your particular switch/environment. Examples use simplified prompts as follows:

Prompt	Explanation
switch#	# indicates manager context (authority).
switch>	> indicates operator context (authority).
switch(config)#	(config) indicates the config context.
switch(vlan-x)#	(vlan-x) indicates the vlan context of config, where x represents the VLAN ID. For example: switch(vlan-128)#.
switch(eth-x)#	(eth-x) indicates the interface context of config, where x represents the interface. For example: switch(eth-48)#.
switch-Stack#	Stack indicates that stacking is enabled.
switch-Stack(config)#	Stack(config) indicates the config context while stacking is enabled.
switch-Stack(stacking)#	Stack(stacking) indicates the stacking context of config while stacking is enabled.
switch-Stack(vlan-x)#	Stack(vlan-x) indicates the vlan context of config while stacking is enabled, where x represents the VLAN ID. For example: switch-Stack(vlan-128)#.
switch-Stack(eth-x/y)#	Stack(eth-x/y) indicates the interface context of config, in the form (eth-<member-in-stack>/<interface>). For example: switch(eth-1/48)#



For successful time protocol setup and specific configuration details, you may need to contact your system administrator regarding your local configuration.

General steps for running a time protocol on the switch

Using time synchronization ensures a uniform time among interoperating devices. This helps you to manage and troubleshoot switch operation by attaching meaningful time data to event and error messages.

The switch offers TimeP, SNTP (Simple Network Time Protocol), NTP, and a `timesync` command for changing the time protocol selection (or turning off time protocol operation).



Although you can create and save configurations for all time protocols without conflicts, the switch allows only one active time protocol at any time.

In the factory-default configuration, time synchronization is disabled by default.



Because the Aruba 2930F Switch does not contain an RTC (real time clock) chip, Hewlett Packard Enterprise recommends configuring one of the time synchronization protocols supported. Failure to do so could result in the switch time being reset to the factory default of 01/01/1990 00:00:00 in the case of a switch reload, software upgrade, or power cycle.

TimeP time synchronization

You can either manually assign the switch to use a TimeP server or use DHCP to assign the TimeP server. In either case, the switch can get its time synchronization updates from only one designated TimeP server. This option enhances security by specifying which time server to use.

SNTP time synchronization

SNTP provides three operating modes:

- **Broadcast mode**

The switch acquires time updates by accepting the time value from the first SNTP time broadcast detected. (In this case, the SNTP server must be configured to broadcast time updates to the network broadcast address; see the documentation provided with your SNTP server application.) Once the switch detects a particular server, it ignores time broadcasts from other SNTP servers unless the configurable Poll Interval expires three consecutive times without an update received from the first-detected server.



To use Broadcast mode, the switch and the SNTP server must be in the same subnet.

- **DHCP mode**

DHCP mode is enabled by default. In DHCP mode, the SNTP server address and the timezone are provided in the DHCP address reply.

- **Unicast mode**

The switch requests a time update from the configured SNTP server. (You can configure one server using the menu interface, or up to three servers using the CLI `sntp` server command.) This option provides increased security over the Broadcast mode by specifying which time server to use instead of using the first one detected through a broadcast.

NTP time synchronization

The Network Time Protocol (NTP) synchronizes the time of day among a set of distributed time servers and clients in order to correlate events when receiving system logs and other time-specific events from multiple network devices. NTP uses the User Datagram Protocol (UDP) as its transport protocol.

timesync Command

This command is used to configure the protocol used for network time synchronization.

Syntax

```
[no] timesync { timep | sntp | timep-or-sntp | ntp }
```

Options

`no`

Deletes all `timesync` configurations on the device.

`timep`

Updates the system clock using TIMEP.

`sntp`

Updates the system clock using SNTP.

`timep-or-sntp`

Updates the system clock using TIMEP or SNTP (default).

`ntp`

Updates the system clock using NTP

Example

```
switch(config)# timesync
sntp                Update the system clock using SNTP.
timep               Update the system clock using TIMEP.
timep-or-sntp      Update the system clock using TIMEP or SNTP.
ntp                 Update the system clock using NTP.
```

Selecting a time synchronization protocol

Procedure

1. Select the time synchronization protocol: TimeP, SNTP, or NTP.
2. Enable the protocol; the choices are:

- a. TimeP: DHCP or Manual
- b. SNTP: Broadcast or Unicast
- c. NTP: Broadcast or Unicast

3. Configure the remaining parameters for the time protocol you selected.

The switch retains the parameter settings for both time protocols even if you change from one protocol to the other. Thus, if you select a time protocol, the switch uses the parameters you last configured for the selected protocol.

Simply selecting a time synchronization protocol does not enable that protocol on the switch unless you also enable the protocol itself (step 2, above). For example, in the factory-default configuration, TimeP is the selected time synchronization method. However, because TimeP is disabled in the factory-default configuration, no time synchronization protocol is running.

Disabling time synchronization

You can use either of the following methods to disable time synchronization without changing the TimeP, SNTP, or NTP configuration:

- Global config level of the CLI

Execute `no timesync`.

- System Information screen of the Menu interface
 1. Set the `Time Sync Method` parameter to `None`.
 2. Press **[Enter]** , then **[S]** (for **Save**).

TimeP: Selecting and configuring

The following table shows TimeP parameters and their operations.

Table 1: *TimeP parameters*

TimeP parameter	Operation
Time Sync Method	Used to select either TIMEP, SNTP, NTP, or None as the time synchronization method.
TimeP Mode	
Disabled	TimeP does not operate, even if specified by the Menu interface Time Sync Method parameter or the CLI <code>timesync</code> command.

Table Continued

TimeP parameter	Operation
DHCP	When TimeP is selected as the time synchronization method, the switch attempts to acquire a TimeP server IP address via DHCP. If the switch receives a server address, it polls the server for updates according to the TimeP poll interval. If the switch does not receive a TimeP server IP address, it cannot perform time synchronization updates.
Manual	When TimeP is selected as the time synchronization method, the switch attempts to poll the specified server for updates according to the TimeP poll interval. If the switch fails to receive updates from the server, time synchronization updates do not occur.
Server Address	Used only when the TimeP Mode is set to Manual . Specifies the IP address of the TimeP server that the switch accesses for time synchronization updates. You can configure one server.

Viewing, enabling, and modifying the TimeP protocol (Menu)

Procedure

- From the Main Menu, select:
 - Switch Configuration**
 - 1. System Information**

Figure 1: System Information screen (default values)

```

===== CONSOLE - MANAGER MODE =====
Switch Configuration - System Information

System Name : HP Switch
System Contact :
System Location :

Inactivity Timeout (min) [0] : 0      MAC Age Time (sec) [300] : 300
Inbound Telnet Enabled [Yes] : Yes    Web Agent Enabled [Yes] : Yes
Time Sync Method [None] : TIMEP
TimeP Mode [Disabled] : Disabled
Tftp-enable [Yes] : Yes
Time Zone [0] : 0
Daylight Time Rule [None] : None

Server Address :
Jumbo Max Frame Size [9216] : 9216
Jumbo IP MTU [9198] : 9198

Time Protocol Selection Parameter
- TIMEP (the default)
- SNTP
- None

Actions->  Cancel      Edit      Save      Help

```

- Press **[E]** (for **Edit**).
The cursor moves to the **System Name** field.
- Move the cursor to the **Time Sync Method** field.
- If **TIMEP** is not already selected, use the **Space** bar to select **TIMEP**, then move to the **TIMEP Mode** field.
- Do one of the following:
 - Use the **Space** bar to select the **DHCP** mode.

- Move the cursor to the **Poll Interval** field.
- Go to step 6.

Enabling TIMEP or DHCP

```
Time Sync Method [None] :    TIMEP
TimeP Mode [Disabled] :    DHCP
Poll Interval (min) [720] : 720
Time Zone [0] :            0
Daylight Time Rule [None] : None
```

- Use the **Spacebar** to select the **Manual** mode.
 - Move the cursor to the **Server Address** field.
 - Enter the IP address of the TimeP server you want the switch to use for time synchronization.



This step replaces any previously configured TimeP server IP address.

- Move the cursor to the **Poll Interval** field, then go to step 6.

6. In the **Poll Interval** field, enter the time in minutes that you want for a TimeP Poll Interval.

7. Select **[Enter]** to return to the **Actions** line, then select **[S]** (for **Save**) to enter the new time protocol configuration in both the startup-config and running-config files.

Viewing the current TimeP configuration (CLI)

Using different `show` commands, you can display either the full TimeP configuration or a combined listing of all TimeP, SNTP, and VLAN IP addresses configured on the switch.

Syntax:

```
show timep
```

Lists both the time synchronization method (TimeP, SNTP, or None) and the TimeP configuration, even if SNTP is not the selected time protocol. (If the TimeP Mode is set to `Disabled` or `DHCP`, the `Server` field does not appear.)

If you configure the switch with TimeP as the time synchronization method, then enable TimeP in DHCP mode with the default poll interval, `show timep` lists the following:

TimeP configuration when TimeP is the selected Time synchronization method

```
switch(config)# show timep
```

```
Timep Configuration
```

```
Time Sync Mode: Timep
TimeP Mode [Disabled] : DHCP    Server Address : 10.10.28.103
Poll Interval (min) [720] : 720
```

If SNTP is the selected time synchronization method, `show timep` still lists the TimeP configuration even though it is not currently in use. Even though, in this Example:, SNTP is the current time synchronization method, the switch maintains the TimeP configuration:

TimeP configuration when TimeP is not the selected time synchronization method

```
switch(config)# show timep

Timep Configuration

Time Sync Mode: Sntp
TimeP Mode [Disabled] : Manual   Server Address : 10.10.28.100
Poll Interval (min) [720] : 720
```

Syntax:

```
show management
```

Helps you to easily examine and compare the IP addressing on the switch. It lists the IP addresses for all time servers configured on the switch plus the IP addresses and default gateway for all VLANs configured on the switch.

Display showing IP addressing for all configured time servers and VLANs

```
switch(config)# show management

Status and Counters - Management Address Information

Time Server Address : 10.10.28.100

Priority SNTP Server Address                               Protocol Version
-----
1       10.10..28.101                                       3
2       10.255.5.24                                         3
3       fe80::123%vlan10                                    3

Default Gateway : 10.0.9.80

VLAN Name      MAC Address      | IP Address
-----+-----
DEFAULT_VLAN  001279-88a100   | 10.30.248.184
VLAN10        001279-88a100   | 10.0.10.17
```

Configuring (enabling or disabling) the TimeP mode

Enabling the TimeP mode means to configure it for either broadcast or unicast mode. Remember to run TimeP as the switch's time synchronization protocol, you must also select TimeP as the time synchronization method by using the CLI `timesync` command (or the menu interface **Time Sync Method** parameter).

Syntax:

```
timesync timep
```

Selects TimeP as the time synchronization method.

Syntax:

```
ip timep {<dhcp | manual>}
```

Enables the selected TimeP mode.

Syntax:

```
[no] ip timep
```

Disables the TimeP mode.

Syntax:

```
[no] timesync
```

Disables the time protocol.

Enabling TimeP in manual mode (CLI)

Like DHCP mode, configuring TimeP for `manual` mode enables TimeP. However, for manual operation, you must also specify the IP address of the TimeP server. (The switch allows only one TimeP server.)

Syntax:

```
timesync timep
```

Selects TimeP.

Syntax:

```
ip timep manual <ip-addr>
```

Activates TimeP in manual mode with a specified TimeP server.

Syntax:

```
no ip timep
```

Disables TimeP.

Enabling TimeP in DHCP Mode

Because the switch provides a TimeP polling interval (default:720 minutes), you need only these two commands for a minimal TimeP DHCP configuration:

Syntax:

```
timesync timep
```

Selects TimeP as the time synchronization method.

Syntax:

```
ip timep dhcp
```

Configures DHCP as the TimeP mode.

For example, suppose:

- Time Synchronization is configured for SNTP.
- You want to:

- View the current time synchronization.
- Select TimeP as the synchronization mode.
- Enable TimeP for DHCP mode.
- View the TimeP configuration.

Enabling TimeP in Manual Mode

Like DHCP mode, configuring TimeP for Manual Mode enables TimeP. However, for manual operation, you must also specify the IP address of the TimeP server. (The switch allows only one TimeP server.) To enable the TimeP protocol:

Syntax:

```
timesync timep
```

Selects TimeP.

Syntax:

```
ip timep manual <ip-addr>
```

Activates TimeP in manual mode with a specified TimeP server.

Syntax:

```
[no] ip timep
```

Disables TimeP.



To change from one TimeP server to another, you must use the `no ip timep` command to disable TimeP mode, the reconfigure TimeP in manual mode with the new server IP address.

Example:

To select TimeP and configure it for manual operation using a TimeP server address of 10.28.227.141 and the default poll interval (720 minutes, assuming the TimeP poll interval is already set to the default):

```
switch(config)# timesync timep
```

Selects TimeP.

```
switch(config)# ip timep manual 10.28.227.141
```

Activates TimeP in Manual mode.

Configuring TimeP for manual operation

```
switch(config)# timesync timep
switch(config)# ip timep manual 10.28.227.141
switch(config)# show timep
Timep Configuration
Time Sync Mode: Timep
TimeP Mode : Manual          Server Address : 10.28.227.141
Poll Interval (min) : 720
```

Changing from one TimeP server to another (CLI)

Procedure

1. Use the `no ip timep` command to disable TimeP mode.
2. Reconfigure TimeP in Manual mode with the new server IP address.

Changing the TimeP poll interval (CLI)

Syntax:

```
ip timep {< dhcp | manual >} interval <1-9999>
```

Specifies how long the switch waits between time polling intervals. The default is 720 minutes and the range is 1 to 9999 minutes. (This parameter is separate from the `poll interval` parameter used for SNTP operation.)

Example:

To change the poll interval to 60 minutes:

```
switch(config)# ip timep interval 60
```

Disabling time synchronization without changing the TimeP configuration (CLI)

Syntax:

```
no timesync
```

Disables time synchronization by changing the `Time Sync Mode` configuration to `Disabled`. This halts time synchronization without changing your TimeP configuration. The recommended method for disabling time synchronization is to use the `timesync` command.

Example:

Suppose TimeP is running as the switch's time synchronization protocol, with `DHCP` as the TimeP mode, and the factory-default polling interval. You would halt time synchronization with this command:

```
switch(config)# no timesync
```

If you then viewed the TimeP configuration, you would see the following:

TimeP with time synchronization disabled

```
switch(config)# show timep
```

```
Timep Configuration
Time Sync Mode: Disabled
TimeP Mode : DHCP Poll Interval (min): 720
```

Disabling the TimeP mode

Syntax:

```
no ip timep
```

Disables TimeP by changing the TimeP mode configuration to `Disabled` and prevents the switch from using it as the time synchronization protocol, even if it is the selected `Time Sync Method` option.

Example:

If the switch is running TimeP in DHCP mode, `no ip timep` changes the TimeP configuration as shown below and disables time synchronization. Even though the TimeSync mode is set to TimeP, time synchronization is disabled because `no ip timep` has disabled the TimeP mode parameter.

Disabling time synchronization by disabling the TimeP mode parameter

```
switch(config)# no ip timep

switch(config)# show timep

Timep Configuration
  Time Sync Mode: Timep
  TimeP Mode : Disabled
```

SNTP: Selecting and configuring

The following table shows the SNTP parameters and their operations.

Table 2: SNTP parameters

SNTP parameter	Operation
Time Sync Method	Used to select either SNTP, TIMEP, NTP, or None as the time synchronization method.
SNTP Mode	
Disabled	The Default. SNTP does not operate, even if specified by the Menu interface Time Sync Method parameter or the CLI <code>timesync</code> command.
Unicast	Directs the switch to poll a specific server for SNTP time synchronization. Requires at least one server address.
Broadcast	Directs the switch to acquire its time synchronization from data broadcast by any SNTP server to the network broadcast address. The switch uses the first server detected and ignores any others. However, if the Poll Interval expires three times without the switch detecting a time update from the original server, the switch accepts a broadcast time update from the next server it detects.
Poll Interval (seconds)	In Unicast Mode: Specifies how often the switch polls the designated SNTP server for a time update. In Broadcast Mode: Specifies how often the switch polls the network broadcast address for a time update.Value is between 30 to 720 seconds.
Server Address	Used only when the SNTP Mode is set to <code>Unicast</code> . Specifies the IP address of the SNTP server that the switch accesses for time synchronization updates. You can configure up to three servers; one using the menu or CLI, and two more using the CLI.
Server Version	Specifies the SNTP software version to use and is assigned on a per-server basis. The version setting is backwards-compatible. For example, using version 3 means that the switch accepts versions 1 through 3. Default: 3; range: 1 to 7.
Priority	Specifies the order in which the configured servers are polled for getting the time. Value is between 1 and 3.

Viewing and configuring SNTP (Menu)

Procedure

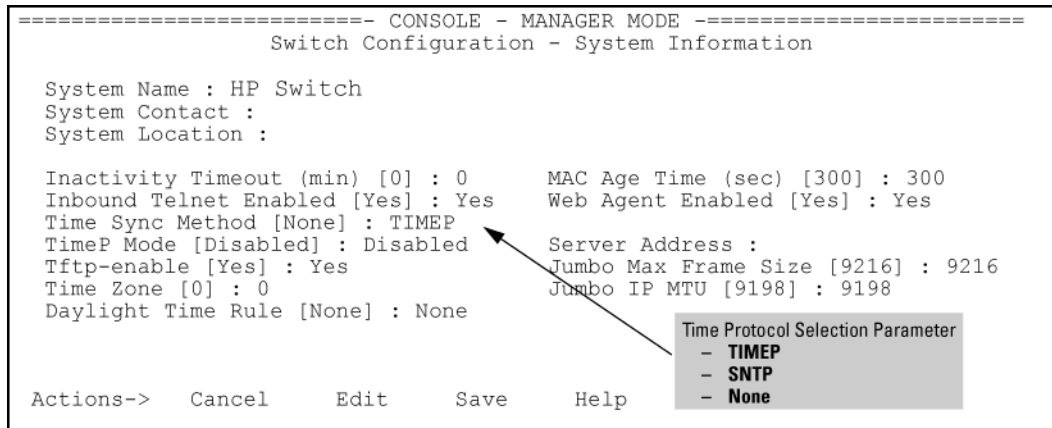
1. From the Main Menu, select:

a. **2. Switch Configuration...**

b. **1. System Information**

Figure 2: System Information screen (default values)

```
=====-- CONSOLE - MANAGER MODE -----  
Switch Configuration - System Information  
  
System Name : HP Switch  
System Contact :  
System Location :  
  
Inactivity Timeout (min) [0] : 0      MAC Age Time (sec) [300] : 300  
Inbound Telnet Enabled [Yes] : Yes    Web Agent Enabled [Yes] : Yes  
Time Sync Method [None] : TIMEP  
TimeP Mode [Disabled] : Disabled  
Tftp-enable [Yes] : Yes                Server Address :  
Time Zone [0] : 0                      Jumbo Max Frame Size [9216] : 9216  
Daylight Time Rule [None] : None       Jumbo IP MTU [9198] : 9198  
  
Actions->  Cancel      Edit      Save      Help
```



The screenshot shows a terminal window titled "CONSOLE - MANAGER MODE" with the subtitle "Switch Configuration - System Information". It displays various system parameters and their current values. A callout box on the right side, titled "Time Protocol Selection Parameter", lists three options: "TIMEP", "SNTP", and "None". An arrow points from this callout box to the "Time Sync Method [None] : TIMEP" line in the main text.

2. Press **[E]** (for **Edit**).

Move the cursor to the **System Name** field.

3. Use the **Space** bar to move the cursor to the **Time Sync Method** field.

4. Use the **Space** bar to select **SNTP**, then move to the **SNTP Mode** field.

5. Complete one of the following options.

Option 1

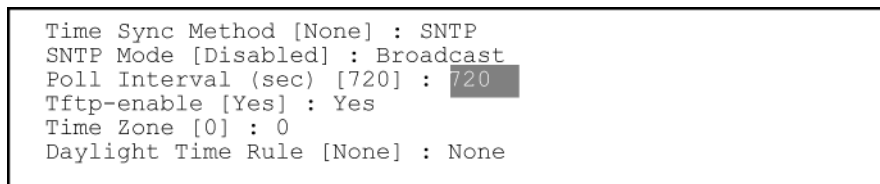
a. Use the **Space** bar to select the **Broadcast** mode.

b. Move the cursor to the **Poll Interval** field.

c. Go to 6. (For Broadcast mode details, see **SNTP time synchronization**)

Figure 3: Time configuration fields for SNTP with broadcast mode

```
Time Sync Method [None] : SNTP  
SNTP Mode [Disabled] : Broadcast  
Poll Interval (sec) [720] : 720  
Tftp-enable [Yes] : Yes  
Time Zone [0] : 0  
Daylight Time Rule [None] : None
```



The screenshot shows a terminal window displaying the configuration for SNTP with broadcast mode. The "Time Sync Method" is now "SNTP", and the "SNTP Mode" is "Broadcast". The "Poll Interval" is set to "720" seconds, which is highlighted with a grey background. Other parameters like "Tftp-enable", "Time Zone", and "Daylight Time Rule" remain the same as in Figure 2.

Option 2

d. Use the **Space** bar to select the **Unicast** mode.

e. Move the cursor to the **Server Address** field.

f. Enter the IP address of the SNTP server you want the switch to use for time synchronization.



This step replaces any previously configured server IP address. If you will be using backup SNTP servers (requires use of the CLI), see [SNTP unicast time polling with multiple SNTP servers](#).

- g. Move the cursor to the **Server Version** field. Enter the value that matches the SNTP server version running on the device you specified in the preceding step.

If you are unsure which version to use, Hewlett Packard Enterprise recommends leaving this value at the default setting of 3 and testing SNTP operation to determine whether any change is necessary.



Using the menu to enter the IP address for an SNTP server when the switch already has one or more SNTP servers configured, the switch deletes the primary SNTP server from the server list. The switch then selects a new primary SNTP server from the IP addresses in the updated list. For more on this topic, see [SNTP unicast time polling with multiple SNTP servers](#).

- h. Move the cursor to the **Poll Interval** field, then go to step 6.

Figure 4: SNTP configuration fields for SNTP configured with unicast mode

```

Time Sync Method [None] : SNTP
SNTP Mode [Disabled] : Unicast           Server Address : 10.28.227.15
Poll Interval (sec) [720] : 720         Server Version [3] : 3
Tftp-enable [Yes] : Yes
Time Zone [0] : 0
Daylight Time Rule [None] : None

```

Note: The Menu interface lists only the highest priority SNTP server, even if others are configured. To view all SNTP servers configured on the switch, use the CLI `show management` command. Refer to "SNTP Unicast Time Polling with Multiple SNTP Servers" on page 1-33.

6. In the **Poll Interval** field, enter the time in seconds that you want for a Poll Interval.
(For Poll Interval operation, see [SNTP parameters](#))
7. Press **Enter** to return to the Actions line, then **S** (for **Save**) to enter the new time protocol configuration in both the startup-config and running-config files.

Viewing and configuring SNTP (CLI)

Syntax:

```
show sntp
```

Lists both the time synchronization method (TimeP, SNTP, or None) and the SNTP configuration, even if SNTP is not the selected time protocol.

If you configure the switch with SNTP as the time synchronization method, then enable SNTP in broadcast mode with the default poll interval, `show sntp` lists the following:

SNTP configuration when SNTP is the selected time synchronization method

```

switch(config)# show sntp

SNTP Configuration

Time Sync Mode: Sntp
SNTP Mode : Unicast

```



```
Poll Interval (sec) [720] : 719
```

Priority	SNTP Server Address	Protocol Version
1	2001:db8::215:60ff:fe79:8980	7
2	10.255.5.24	3
3	fe80::123%vlan10	3

In the factory-default configuration (where TimeP is the selected time synchronization method), `show sntp` still lists the SNTP configuration, even though it is not currently in use. In **SNTP configuration when SNTP is not the selected time synchronization method** on page 41, even though TimeP is the current time synchronous method, the switch maintains the SNTP configuration.

SNTP configuration when SNTP is not the selected time synchronization method

```
switch(config)# show sntp
```

```
SNTP Configuration
```

```
Time Sync Mode: Timep  
SNTP Mode : Unicast  
Poll Interval (sec) [720] : 719
```

Priority	SNTP Server Address	Protocol Version
1	2001:db8::215:60ff:fe79:8980	7
2	10.255.5.24	3
3	fe80::123%vlan10	3

Syntax:

```
show management
```

This command can help you to easily examine and compare the IP addressing on the switch. It lists the IP addresses for all time servers configured on the switch, plus the IP addresses and default gateway for all VLANs configured on the switch.

Display showing IP addressing for all configured time servers and VLANs

```
switch(config)# show management
```

```
Status and Counters - Management Address Information
```

```
Time Server Address : fe80::215:60ff:fe7a:adc0%vlan10
```

Priority	SNTP Server Address	Protocol Version
1	2001:db8::215:60ff:fe79:8980	7
2	10.255.5.24	3
3	fe80::123%vlan10	3

```
Default Gateway :10.0.9.80
```

VLAN Name	MAC Address	IP address
DEFAULT_VLAN	001279-88a100	Disabled
VLAN10	001279-88a100	10.0.10.17

Configuring (enabling or disabling) the SNTP mode

Enabling the SNTP mode means to configure it for either broadcast or unicast mode. Remember that to run SNTP as the switch's time synchronization protocol, you must also select SNTP as the time synchronization method by using the CLI `timesync` command (or the menu interface **Time Sync Method** parameter.)

Syntax:

```
timesync sntp
```

Selects SNTP as the time protocol.

```
sntp {<broadcast | unicast>}
```

Enables the SNTP mode.

Syntax:

```
sntp server <ip-addr>
```

Required only for unicast mode.

Syntax:

```
sntp server priority <1-3>
```

Specifies the order in which the configured servers are polled for getting the time. Value is between 1 and 3.

Syntax:

```
sntp <30-720>
```

Configures the amount of time between updates of the system clock via SNTP.

Default: 720 seconds

Enabling SNTP in Broadcast Mode

Because the switch provides an SNTP polling interval (default: 720 seconds), you need only these two commands for minimal SNTP broadcast configuration:

Syntax:

```
timesync sntp
```

Selects SNTP as the time synchronization method.

Syntax:

```
sntp broadcast
```

Configures broadcast as the SNTP mode.

Example:

Suppose that time synchronization is in the factory-default configuration (TimeP is the currently selected time synchronization method.) Complete the following:

Procedure

1. View the current time synchronization.
2. Select **SNTP** as the time synchronization mode.
3. Enable **SNTP** for Broadcast mode.
4. View the SNTP configuration again to verify the configuration.

The commands and output would appear as follows:

Figure 5: *Enabling SNTP operation in Broadcast Mode*

```
switch(config)# show sntp 1
SNTP Configuration
  Time Sync Mode: Timep
  SNTP Mode : disabled
  Poll Interval (sec) [720] :720
```

```
switch(config)# timesync sntp
```

```
switch(config)# sntp broadcast
```

```
switch(config)# show sntp 2
SNTP Configuration
  Time Sync Mode: Sntp
  SNTP Mode : Broadcast
  Poll Interval (sec) [720] :720
```

- ¹show sntp displays the SNTP configuration and also shows that TimeP is the currently active time synchronization mode.
- ²show sntp again displays the SNTP configuration and shows that SNTP is now the currently active time synchronization mode and is configured for broadcast operation.

Enabling SNTP in unicast mode (CLI)

Like broadcast mode, configuring SNTP for unicast mode enables SNTP. However, for unicast operation, you must also specify the IP address of at least one SNTP server. The switch allows up to three unicast servers. You can use the Menu interface or the CLI to configure one server or to replace an existing unicast server with another. To add a second or third server, you must use the CLI. For more on SNTP operation with multiple servers, see **SNTP unicast time polling with multiple SNTP servers** on page 53

Syntax:

```
timesync sntp
```

Selects SNTP as the time synchronization method.

Syntax:

```
sntp unicast
```

Configures the SNTP mode for unicast operation.

Syntax:

```
[no] sntp server priority < 1-3 > < ip-address > [version]
```

Use the `no` version of the command to disable SNTP.

priority

Specifies the order in which the configured SNTP servers are polled for the time.

ip-address

An IPv4 or IPv6 address of an SNTP server.

version

The protocol version of the SNTP server. Allowable values are 1 through 7; default is 3.

Syntax:

```
no sntp server priority <1-3> <ip-addr>
```

Deletes the specified SNTP server.



```
priority <1-3>
```

value must match what server is configured with. Deleting an SNTP server when only one is configured disables SNTP unicast operation.

Example:

To select SNTP and configure it with unicast mode and an SNTP server at 10.28.227.141 with the default server version (3) and default poll interval (720 seconds):

```
switch(config)# timesync sntp
```

Selects SNTP.

```
switch(config)# sntp unicast
```

Activates SNTP in unicast mode.

```
switch(config)# sntp server priority 1 10.28.227.141
```

Specifies the SNTP server and accepts the current SNTP server version (default: 3).

Configuring SNTP for unicast operation

```
switch(config)# show sntp
```

```
SNTP Configuration
```

```
Time Sync Mode: Sntp  
SNTP Mode : Unicast  
Poll Interval (sec) [720] : 720
```

Priority	SNTP Server Address	Protocol Version
1	2001:db8::215:60ff:fe79:8980	7
2	10.255.5.24	3
3	fe80::123%v1an10	3

In this Example:, the **Poll Interval** and the **Protocol Version** appear at their default settings.

Both IPv4 and IPv6 addresses are displayed.

Note: Protocol Version appears only when there is an IP address configured for an SNTP server.

If the SNTP server you specify uses SNTP v4 or later, use the `sntp server` command to specify the correct version number. For example, suppose you learned that SNTP v4 was in use on the server you specified above (IP address 10.28.227.141). You would use the following commands to delete the server IP address, re-enter it with the correct version number for that server.

Specifying the SNTP protocol version number

```
switch(config)# no sntp server 10.28.227.141 1
switch(config)# sntp server 10.28.227.141 4 2
switch(config)# show sntp
```

SNTP Configuration

```
Time Sync Mode: Sntp
SNTP Mode : Broadcast
Poll Interval (sec) [720] : 600
```

IP Address	Protocol Version
-----	-----
10.28.227.141	4 ³

- ¹Deletes unicast SNTP server entry.
- ²Re-enters the unicast server with a non-default protocol version.
- ³`show sntp` displays the result.

Changing the SNTP poll interval (CLI)

Syntax:

```
sntp <30..720>
```

Specifies the amount of time between updates of the system clock via SNTP. The default is 720 seconds and the range is 30 to 720 seconds. (This parameter is separate from the poll interval parameter used for Timep operation.)

Example:

To change the poll interval to 300 seconds:

```
switch(config)# sntp 300
```

Changing the SNTP server priority (CLI)

You can choose the order in which configured servers are polled for getting the time by setting the server priority.

Syntax:

```
sntp server priority <1-3> <ip-address>
```

Specifies the order in which the configured servers are polled for getting the time Value is between 1 and 3.



You can enter both IPv4 and IPv6 addresses. For more information about IPv6 addresses, see the IPv6 configuration guide for your switch.

Example:

To set one server to priority 1 and another to priority 2:

```
switch(config)# sntp server priority 1 10.28.22.141
switch(config)# sntp server priority 2
                2001:db8::215:60ff:fe79:8980
```

Disabling time synchronization without changing the SNTP configuration (CLI)

The recommended method for disabling time synchronization is to use the `timesync` command.

Syntax:

```
no timesync
```

Halts time synchronization without changing your SNTP configuration.

Example:

Suppose SNTP is running as the switch's time synchronization protocol, with `broadcast` as the SNTP mode and the factory-default polling interval. You would halt time synchronization with this command:

```
switch(config)# no timesync
```

If you then viewed the SNTP configuration, you would see the following:

SNTP with time synchronization disabled

```
switch(config)# show sntp
SNTP Configuration
  Time Sync Mode: Disabled
  SNTP Mode : Broadcast
  Poll Interval (sec) [720] : 720
```

Disabling the SNTP Mode

If you want to prevent SNTP from being used even if it is selected by `timesync` (or the Menu interface's `Time Sync Method` parameter), configure the SNTP mode as disabled.

Syntax:

```
no sntp
```

Disables SNTP by changing the SNTP mode configuration to `Disabled`.

Example:

If the switch is running SNTP in unicast mode with an SNTP server at 10.28.227.141 and a server version of 3 (the default), `no sntp` changes the SNTP configuration as shown below and disables time synchronization on the switch.

Disabling time synchronization by disabling the SNTP mode

```
switch(config)# no sntp
switch(config)# show sntp

SNTP Configuration
  Time Sync Mode: Sntp
```

```
SNTP Mode : disabled
Poll Interval (sec) [720] : 600

IP Address      Protocol Version
-----
10.28.227.141  3
```

Note that even though the **Time Sync Mode** is set to **Sntp**, time synchronization is disabled because `no sntp` has disabled the **SNTP Mode** parameter.

SNTP client authentication

Enabling SNTP authentication allows network devices such as HPE switches to validate the SNTP messages received from an NTP or SNTP server before updating the network time. NTP or SNTP servers and clients must be configured with the same set of authentication keys so that the servers can authenticate the messages they send and clients (switches) can validate the received messages before updating the time.

This feature provides support for SNTP client authentication on switches, which addresses security considerations when deploying SNTP in a network.

Requirements

You must configure the following to enable SNTP client authentication on the switch.

SNTP client authentication support

- Timesync mode must be SNTP. Use the `timesync sntp` command. (SNTP is disabled by default).
- SNTP must be in unicast or broadcast mode. See [Configuring unicast and broadcast mode for authentication](#) on page 50.
- The MD5 authentication mode must be selected.
- An SNTP authentication key-identifier (`key-id`) must be configured on the switch and a value (`key-value`) must be provided for the authentication key. A maximum of 8 sets of `key-id` and `key-value` can be configured on the switch.
- Among the keys that have been configured, one key or a set of keys must be configured as trusted. Only trusted keys are used for SNTP authentication.
- If the SNTP server requires authentication, one of the trusted keys has to be associated with the SNTP server.
- SNTP client authentication must be enabled on the HPE Switch. If client authentication is disabled, packets are processed without authentication.

All of the above steps are necessary to enable authentication on the client.

SNTP server authentication support



SNTP server is not supported on Switch products.

You must perform the following on the SNTP server:

- The same authentication key-identifier, trusted key, authentication mode and key-value that were configured on the SNTP client must also be configured on the SNTP server.
- SNTP server authentication must be enabled on the server.

If any of the parameters on the server are changed, the parameters have to be changed on all the SNTP clients in the network as well. The authentication check fails on the clients otherwise, and the SNTP packets are dropped.

Configuring the key-identifier, authentication mode, and key-value (CLI)

This command configures the `key-id`, `authentication-mode`, and `key-value`, which are required for authentication. It is executed in the global configuration context.

Syntax:

```
sntp authentication key-id <key-id> authentication-mode <md5> key-value <key-string> [trusted]
```

```
no sntp authentication key-id <key-id>
```

Configures a `key-id`, `authentication-mode` (MD5 only), and `key-value`, which are required for authentication.

The `no` version of the command deletes the authentication key.

Default: No default keys are configured on the switch.

key-id

A numeric key identifier in the range of 1-4,294,967,295 (2^{32}) that identifies the unique key value. It is sent in the SNTP packet.

key-value <key-string>

The secret key that is used to generate the message digest. Up to 32 characters are allowed for `key-string`.

encrypted-key <<key-string>>

Set the SNTP authentication key value using a base64-encoded aes-256 encrypted string.

Setting parameters for SNTP authentication

```
switch(config)# sntp authentication key-id 55 authentication-mode md5  
key-value secretkey1
```

Configuring a trusted key

Trusted keys are used in SNTP authentication. In unicast mode, you must associate a `trusted` key with a specific NTP/SNTP server. That key is used for authenticating the SNTP packet.

In unicast mode, a specific server is configured on the switch so that the SNTP client communicates with the specified server to get the date and time.

In broadcast mode, the SNTP client switch checks the size of the received packet to determine if it is authenticated. If the broadcast packet is authenticated, the `key-id` value is checked to see if the same `key-id` value is configured on the SNTP client switch. If the switch is configured with the same `key-id` value, and the `key-id` value is configured as "trusted," the authentication succeeds. Only trusted `key-id` value information is used for SNTP authentication. For information about configuring these modes, see **Configuring unicast and broadcast mode for authentication** on page 50.

If the packet contains `key-id` value information that is not configured on the SNTP client switch, or if the received packet contains no authentication information, it is discarded. The SNTP client switch expects packets to be authenticated if SNTP authentication is enabled.

When authentication succeeds, the time in the packet is used to update the time on the switch.

Configuring a key-id as trusted (CLI)

Enter the following command to configure a `key-id` as trusted.

Syntax:

```
sntp authentication key-id <key-id> trusted
```

```
no sntp authentication key-id <key-id> trusted
```

Trusted keys are used during the authentication process. You can configure the switch with up to eight sets of key-id/key-value pairs. One specific set must be selected for authentication; this is done by configuring the set as `trusted`.

The `key-id` itself must already be configured on the switch. To enable authentication, at least one `key-id` must be configured as `trusted`.

The `no` version of the command indicates the key is unreliable (not trusted).

Default: No key is trusted by default.

For detailed information about trusted keys, see [Configuring a trusted key](#) on page 48

Associating a key with an SNTP server (CLI)

Syntax:

```
[no] sntp server priority <1-3> {< ip-address | ipv6-address >} <version-num> [key-id <1-4,294,967,295>]
```

Configures a `key-id` to be associated with a specific server. The key itself must already be configured on the switch.

The `no` version of the command disassociates the key from the server. This does not remove the authentication key.

Default: No key is associated with any server by default.

priority

Specifies the order in which the configured servers are polled for getting the time.

version-num

Specifies the SNTP software version to use and is assigned on a per-server basis. The version setting is backwards-compatible. For example, using version 3 means that the switch accepts versions 1 through 3. Default: 3; range: 1 - 7.

key-id

Optional command. The key identifier sent in the SNTP packet. This `key-id` is associated with the SNTP server specified in the command.

Associating a key-id with a specific server

```
switch(config)# sntp server priority 1 10.10.19.5 2 key-id 55
```

Enabling SNTP client authentication

The `sntp authentication` command enables SNTP client authentication on the switch. If SNTP authentication is not enabled, SNTP packets are not authenticated.

Syntax:

```
[no] sntp authentication
```

Enables the SNTP client authentication.

The `no` version of the command disables authentication.

Default: SNTP client authentication is disabled.

Configuring unicast and broadcast mode for authentication

To enable authentication, you must configure either unicast or broadcast mode. When authentication is enabled, changing the mode from unicast to broadcast or vice versa is not allowed; you must disable authentication and then change the mode.

To set the SNTP mode or change from one mode to the other, enter the appropriate command.

Syntax:

```
sntp unicast
```

```
sntp broadcast
```

Enables SNTP for either broadcast or unicast mode.

Default: SNTP mode is disabled by default. SNTP does not operate even if specified by the CLI `timesync` command or by the menu interface `Time Sync Method` parameter.

Unicast	Directs the switch to poll a specific server periodically for SNTP time synchronization. The default value between each polling request is 720 seconds, but can be configured. At least one manually configured server IP address is required.
---------	--



At least one `key-id` must be configured as `trusted`, and it must be associated with one of the SNTP servers. To edit or remove the associated `key-id` information or SNTP server information, SNTP authentication must be disabled.

Broadcast	Directs the switch to acquire its time synchronization from data broadcast by any SNTP server to the network broadcast address. The switch uses the first server detected and ignores any others. However, if the Poll Interval (configurable up to 720 seconds) expires three times without the switch detecting a time update from the original server, the switch accepts a broadcast time update from the next server it detects.
-----------	---

Viewing SNTP authentication configuration information (CLI)

The `show sntp` command displays SNTP configuration information, including any SNTP authentication keys that have been configured on the switch.

SNTP configuration information

```
switch(config)# show sntp
```

```
SNTP Configuration
```

```
SNTP Authentication : Enabled
Time Sync Mode: Sntp
SNTP Mode : Unicast
Poll Interval (sec) [720] : 720
```

```
Priority SNTP Server Address          Protocol Version KeyId
-----
```

1	10.10.10.2	3	55
2	fe80::200:24ff:fec8:4ca8	3	55

Viewing all SNTP authentication keys that have been configured on the switch (CLI)

Enter the `show sntp authentication` command, as shown in [Show sntp authentication command output](#) on page 51.

Show sntp authentication command output

```
switch(config)# show sntp authentication

SNTP Authentication Information

SNTP Authentication : Enabled

Key-ID   Auth Mode   Trusted
-----
55       MD5         Yes
10       MD5         No
```

Viewing statistical information for each SNTP server (CLI)

To display the statistical information for each SNTP server, enter the `show sntp statistics` command.

The number of SNTP packets that have failed authentication is displayed for each SNTP server address, as shown in [SNTP authentication statistical information](#) on page 51.

SNTP authentication statistical information

```
switch(config)# show sntp statistics
SNTP Statistics

Received Packets : 0
Sent Packets : 3
Dropped Packets : 0

SNTP Server Address                Auth Failed Pkts
-----
10.10.10.1                          0
fe80::200:24ff:fec8:4ca8            0
```

Saving configuration files and the include-credentials command

You can use the `include-credentials` command to store security information in the running-config file. This allows you to upload the file to a TFTP server and then later download the file to the HPE switches on which you want to use the same settings. For more information about the `include-credentials` command, see "Configuring Username and Password Security" in the access security guide for your switch.

The authentication key values are shown in the output of the `show running-config` and `show config` commands only if the `include-credentials` command was executed.

When SNTP authentication is configured and `include-credentials` has not been executed, the SNTP authentication configuration is not saved.

Configuration file with SNTP authentication information

```
switch(config) # show config
Startup configuration:
.
```

```
.  
.  
timesync sntp  
sntp broadcast  
sntp 50  
sntp authentication  
sntp server priority 1 10.10.10.2.3 key-id 55  
sntp server priority 2 fe80::200:24ff:fec8:4ca8 4 key-id 55
```



SNTP authentication has been enabled and a key-id of 55 has been created.

In this Example:, the `include-credentials` command has not been executed and is not present in the configuration file. The configuration file is subsequently saved to a TFTP server for later use. The SNTP authentication information is not saved and is not present in the retrieved configuration files, as shown in the following Example:.

Retrieved configuration file when `include credentials` is not configured

```
switch(config) # copy tftp startup-config 10.2.3.44 config1  
.br/>.br/>.br/>Switch reboots ...  
.br/>Startup configuration  
.br/>.br/>.br/>timesync sntp  
sntp broadcast  
sntp 50 sntp server priority 1 10.10.10.2.3  
sntp server priority 2 fe80::200:24ff:fec8:4ca8 4  
.br/>.br/>.
```



The SNTP authentication line and the Key-ids are not displayed. You must reconfigure SNTP authentication.

If `include-credentials` is configured, the SNTP authentication configuration is saved in the configuration file. When the `show config` command is entered, all of the information that has been configured for SNTP authentication displays, including the key-values.

Figure 6: Saved SNTP Authentication information when `include-credentials` is configured

```
HP Switch(config)# show config
Startup configuration:
.
.
.
include-credentials
timesync sntp
sntp broadcast
sntp 50
sntp authentication
sntp authentication key-id 55 authentication-mode md5 key-value "secretkey1"
trusted
sntp authentication key-id 2 authentication-mode md5 key-value "secretkey2"
sntp server priority 1 10.10.10.2 3 key-id 55
sntp server priority 2 fe80::200:24ff:fec8:4ca8 4 key-id 55
sntp server priority 3 10.10.4.60 3
.
.
.
```

SNTP unicast time polling with multiple SNTP servers

When running SNTP unicast time polling as the time synchronization method, the switch requests a time update from the server you configured with either the `Server Address` parameter in the menu interface, or the primary server in a list of up to three SNTP servers configured using the CLI. If the switch does not receive a response from the primary server after three consecutive polling intervals, the switch tries the next server (if any) in the list. If the switch tries all servers in the list without success, it sends an error message to the Event Log and reschedules to try the address list again after the configured `Poll Interval` time has expired.

If there are already three SNTP server addresses configured on the switch, and you want to use the CLI to replace one of the existing addresses with a new one, you must delete the unwanted address before you configure the new one.

Displaying all SNTP server addresses configured on the switch (CLI)

The System Information screen in the menu interface displays only one SNTP server address, even if the switch is configured for two or three servers. The CLI `show management` command displays all configured SNTP servers on the switch.

How to list all SNTP servers configured on the switch

```
switch(config)# show management

Status and Counters - Management Address Information

Time Server Address : fe80::215:60ff:fe7a:adc0%vlan10

Priority SNTP Server Address                                Protocol Version
-----
1 2001:db8::215:60ff:fe79:8980                             7
2 10.255.5.24                                              3
3 fe80::123%vlan10                                         3
```

```
Default Gateway : 10.0.9.80
```

VLAN Name	MAC Address	IP Address
-----	-----	-----
DEFAULT_VLAN	001279-88a100	Disabled
VLAN10	001279-88a100	10.0.10.17

Adding and deleting SNTP server addresses

Adding addresses

As mentioned earlier, you can configure one SNTP server address using either the Menu interface or the CLI. To configure a second and third address, you must use the CLI. To configure the remaining two addresses, you would do the following:

Creating additional SNTP server addresses with the CLI

```
switch(config)# sntp server priority <1-3> 2001:db8::215:60ff:fe79:8980  
switch(config)# sntp server 10.255.5.24
```



If there are already three SNTP server addresses configured on the switch, and you want to use the CLI to replace one of the existing addresses with a new one, you must delete the unwanted address before you configure the new one.

Deleting addresses

Syntax:

```
no sntp server <ip-addr>
```

Deletes a server address. If there are multiple addresses and you delete one of them, the switch re-orders the address priority.

Example:

To delete the primary address in the above Example: and automatically convert the secondary address to primary:

```
switch(config)# no sntp server 10.28.227.141
```

Operating with multiple SNTP server addresses configured (Menu)

When you use the Menu interface to configure an SNTP server IP address, the new address writes over the current primary address, if one is configured.

SNTP messages in the Event Log

If an SNTP time change of more than three seconds occurs, the switch's Event Log records the change. SNTP time changes of less than three seconds do not appear in the Event Log.

Network Time Protocol (NTP)

All NTP communications use Coordinated Universal Time (UTC). An NTP server usually receives its time from an authoritative time source, such as a radio clock or an atomic clock attached to a time server, and then distributes this time across the network. NTP is extremely efficient; no more than one packet per minute is necessary to synchronize two machines to within a millisecond of each other.

NTP uses a stratum to describe the distance between a network device and an authoritative time source:

- A stratum 1 time server is directly attached to an authoritative time source (such as a radio or atomic clock or a GPS time source).
- A stratum 2 NTP server receives its time through NTP from a stratum 1 time server.

Before synchronizing, NTP compares the time reported by several network devices and does not synchronize with one that is significantly different, even if it is a stratum 1.

The security features of NTP can be used to avoid the accidental or malicious setting of incorrect time. One such mechanism is available: an encrypted authentication mechanism.

Though similar, the NTP algorithm is more complex and accurate than the Simple Network Time Protocol (SNTP).



Enabling this feature results in synchronizing the system clock; therefore, it may affect all sub-systems that rely on system time.

Commands

The following commands allow the user to configure NTP or show NTP configurations.

timesync ntp

This command is used to update the system clock using NTP.

Syntax

```
timesync ntp
```

Description

Update the system clock using NTP.

ntp

This command selects the operating mode of the NTP client.

Syntax

```
ntp [broadcast|unicast]
```

Options

```
broadcast
```

Sets ntp client to operate in broadcast mode.

```
unicast
```

Sets ntp client to operate in unicast mode.

Usage

The default mode is broadcast.

[no] ntp

This command disables NTP and removes all NTP configurations on the device.

Syntax

```
[no] ntp [authentication <key-id>  
| broadcast | enable | max-association
```

```
<integer> | server  
<IP-ADDR> | trap  
<trap-name> | unicast]
```

Description

Disable NTP and removes the entire NTP configuration.

Options

authentication

Configure NTP authentication.

broadcast

Operate in broadcast mode.

enable

Enable/disable NTP.

max-association

Maximum number of Network Time Protocol (NTP) associations.

server

Configure a NTP server to poll for time synchronization.

trap

Enable/disable NTP traps.

unicast

Operate in unicast mode.

Example

```
switch(config)# no ntp  
This will delete all NTP configurations on this device. Continue [y/n]?
```

ntp enable

This command is used to enable or disable NTP on the switch.

Syntax

```
ntp enable
```

Example

```
switch(config)# ntp  
enable          Enable/disable NTP.
```

Description

Enable or disable NTP. Use [no] to disable NTP.

Restrictions

Validation	Error/Warning/Prompt
If timeSync is in SNTP or Timep when NTP is enabled.	Timesync is not configured to NTP.
When timesync is NTP and ntp is enabled and we try to change timesync to SNTP.	Disable NTP before changing timesync to SNTP or TIMEP

ntp authentication

This command is used for authentication of NTP server by the NTP client.

Syntax

```
ntp authentication key-id <KEY-ID> [authentication-mode <MODE> key-value <KEY-STRING>] [trusted]
```

Parameters/Options

key-id <id>

Sets the key-id for the authentication key.

Subcommands

authentication-mode

Sets the NTP authentication mode

key-value <KEY-STRING>

Sets the key-value for the authentication key.

[trusted]

Sets the authentication key as trusted.

Example

```
Switch(config)# ntp
Authentication          Configure NTP authentication.
```

```
Switch(config)# ntp authentication
key-id                 Set the key-id for this authentication key.
```

```
Switch(config)# ntp authentication key-id
<1-4294967295>        Set the authentication key-id.
```

```
Switch(config)# ntp authentication key-id 1
authentication-mode   Set the NTP authentication mode.
trusted               Set this authentication key as trusted.
```

```
Switch(config)# ntp authentication key-id 1
authentication-mode|trusted md5
Authenticate using MD5.
```

```
Switch(config)# ntp authentication key-id 1
authentication-mode|trusted md5key-value Set the NTP authentication key.
```

```
Switch(config)# ntp authentication key-id 1
authentication-mode|trusted md5 key-value
KEY          Enter a string to be set as the NTP authentication key.
```

ntp authentication key-id

Syntax

```
ntp authentication key-id
<key-id> [authentication-mode [md5 | sha1]
key-value <key-value>] [trusted]
```

Description

The NTP client authenticates the NTP server.

Options

authentication-mode

Set the NTP authentication mode.

- md5: Authenticate using MD5.
- sha1: Authenticate using SHA1.

trusted

Set this authentication key as trusted.

ntp max-association

This command is used to configure the maximum number of servers associated with this NTP client.

Syntax

```
ntp max-association
<number>
```

Options

```
max-association <number>
```

Sets the maximum number of NTP associations.

Description

Configure maximum number of servers associated with the client. Up to eight servers can be configured as the maximum.

Restrictions

The range for a maximum number of NTP associations is 1–8.

Example

```
Switch(config)# ntp
max-associations          Maximum number of NTP associations.
```

```
Switch(config)# ntp max-associations
<1-8>                    Enter the number.
```

Restrictions

Validation	Error/Warning/Prompt
When the number of configured NTP servers is more than the max-associations value.	The maximum number of NTP servers allowed is <number>.
When the max-associations value is less than the (n) number of configured NTP servers.	Max-associations value cannot be less than the number of NTP servers configured.

ntp server

This command is used to configure the NTP servers.

Syntax

```
[no] ntp server
```

```
ntp server <IP-ADDR|IPv6-ADDR> [key <key-id>] [oobm] [max-poll <max-poll-val>][min-poll <min-poll-val>][burst | iburst] [version <1-4>]
```

Parameters/Options

```
[no]
```

Removes the unicast NTP configurations on the device.

Subcommands

```
IP-ADDR
```

Sets the IPv4 address of the NTP server.

```
IPV6-ADDR
```

Sets the IPv6 address of the NTP server.

```
key <key-id>
```

Specifies the authentication key.

```
max-poll <max-poll-val>
```

Configures the maximum time intervals in power of 2 seconds. Range is 4–17 (e.g., 5 would translate to 2 raised to 5 or 32).

```
min-poll <min-poll-val>
```

Configures the minimum time intervals in seconds. Range is 4–17.

```
burst
```

Enables burst mode.

```
iburst
```

Enables initial burst mode.

```
version
```

Sets version 1–4.

Usage

A maximum of 8 NTP servers can be configured.

Example

```
switch(config)# ntp
server          Allow the software clock to be synchronized by an NTP
```

```
time server.
broadcast      Operate in broadcast mode.
unicast       Operate in unicast mode.
```

```
switch(config)# ntp server
IP-ADDR      IPv4 address of the NTP server.
IPV6-ADDR    IPv6 address of the NTP server.
```

```
switch(config)# ntp server <IP-ADDR>
Key          Specify the authentication key.
```

```
switch(config)# ntp server <IP-ADDR> key key-id
Max-poll     Configure the maximum time intervals in seconds.
```

```
switch(config)# ntp server <IP-ADDR> key key-id max-poll
<4-17>      Enter an integer number.
```

```
Switch(config)# ntp server <IP-ADDR> key key-id
Min-poll     Configure the minimum time intervals in seconds.
```

```
switch(config)# ntp server <IP-ADDR> key key-id min-poll
<4-17>      Enter an integer number.
```

```
switch(config)# ntp server <IP-ADDR> key key-id prefer max-poll
<max-poll-val> min-poll <min-poll-val>
iburst       Enable initial burst (iburst) mode.
burst        Enable burst mode.
```

```
Switch(config)# ntp server IP-ADDR key key-id prefer maxpoll <number>
minpoll <number> iburst
```

Restrictions

Validation	Error/Warning/Prompt
If authentication key-id not configured	Authentication key-id has not been configured.
If Key-id is not marked as trusted	Key-id is not trusted.
When min poll value is more than max poll value	NTP max poll value should be more than min poll value.

ntp server key-id

Syntax

```
ntp server <IP-ADDR | IPV6-ADDR>
key-id <key-id> [max-poll
<max-poll-val>] [min-poll
<min-poll-val>] [burst | iburst]
```

Description

Configure the NTP server. <IP-ADDR> indicates the IPv4 address of the NTP server. <IPV6-ADDR> indicates the IPv6 address of the NTP server.

Options

burst

Enables burst mode.

iburst

Enables initial burst (iburst) mode.

key-id

Set the authentication key to use for this server.

max-poll <max-poll-val>

Configure the maximum time intervals in seconds.

min-poll <min-poll-val>

Configure the minimum time intervals in seconds.

ntp ipv6-multicast

This command is used to configure NTP multicast on a VLAN interface.

Syntax

```
ntp ipv6-multicast
```

Description

Configure the interface to listen to the NTP multicast packets.

Example

```
Switch(vlan-2)# ntp  
ipv6-multicast          Configure the interface to listen to the NTP multicast packets.
```

Restrictions

Validation	Error/Warning/Prompt
If ipv6 is not enabled on vlan interface	IPv6 address not configured on the VLAN.

debug ntp

This command is used to display debug messages for NTP.

Syntax

```
debug ntp <event |  
packet>
```

Options

event

Displays event log messages related to NTP.

packets

Displays NTP packet messages.

Description

Enable debug logging. Use [no] to disable debug logging.

Example

```
Switch(config)# debug ntp
event                Display event log messages related to NTP.
packet               Display NTP packet messages.
```

ntp trap

This command is used to configure NTP traps.

Syntax

```
ntp trap <trap-name>
```

Description

Enable NTP traps. Use [no] to disable NTP traps.

Options

ntp-mode-change

Trap name resulting in send notification when the NTP entity changes mode, including starting and stopping (if possible).

ntp-stratum-change

Trap name resulting in send notification when stratum level of NTP changes.

ntp-peer-change

Trap name resulting in send notification when a (new) syspeer has been selected.

ntp-new-association

Trap name resulting in send notification when a new association is mobilized.

ntp-remove-association

Trap name resulting in send notification when an association is demobilized.

ntp-config-change

Trap name resulting in send notification when the NTP configuration has changed.

ntp-leapsec-announced

Trap name resulting in send notification when a leap second has been announced.

ntp-alive-heartbeat

Trap name resulting in send notification periodically (as defined by ntpEntHeartbeatInterval) to indicate that the NTP entity is still alive.

all

Enable all traps.

Usage

The traps defined below are generated as the result of finding an unusual condition while parsing an NTP packet or a processing a timer event. Note that if more than one type of unusual condition is encountered while parsing the packet or processing an event, only the first one will generate a trap. Possible trap names are:

- 'ntpEntNotifModeChange' The notification to be sent when the NTP entity changes mode, including starting and stopping (if possible).

- 'ntpEntNotifStratumChange' The notification to be sent when stratum level of NTP changes.
- 'ntpEntNotifSyspeerChanged' The notification to be sent when a (new) syspeer has been selected.
- 'ntpEntNotifAddAssociation' The notification to be sent when a new association is mobilized.
- 'ntpEntNotifRemoveAssociation' The notification to be sent when an association is demobilized.
- 'ntpEntNotifConfigChanged' The notification to be sent when the NTP configuration has changed.
- 'ntpEntNotifLeapSecondAnnounced' The notification to be sent when a leap second has been announced.
- 'ntpEntNotifHeartbeat' The notification to be sent periodically (as defined by ntpEntHeartbeatInterval) to indicate that the NTP entity is still alive.
- 'ntpEntNotifAll' The notification to be sent when all traps have been enabled

show ntp statistics

This command is used to show NTP statistics.

Syntax

```
show ntp statistics
```

Description

Show information about NTP packets.

Examples

```
Switch(config)# show ntp statistics
```

```
NTP Global statistics information

NTP In Packets           : 100
NTP Out Packets          : 110
NTP Bad Version Packets  : 4
NTP Protocol Error Packets : 0
```

switch(config)# show ntp statistics

```
NTP Global statistics information

NTP In Packets           : 100
NTP Out Packets          : 110
NTP Bad Version Packets  : 4
NTP Protocol Error Packets : 0
```

show ntp status

Syntax

Description

Show the status of NTP.

```
show ntp status
```

Example

```
Switch(config)# show ntp status
```

```
NTP Status information
NTP Status           : Disabled           NTP Mode           : Broadcast
Synchronization Status : Synchronized   Peer Dispersion    : 8.01 sec
Stratum Number       : 2                 Leap Direction     : 1
Reference Assoc Id   : 1                 Clock Offset       : 0.0000 sec
Reference            : 192.0.2.1         Root Delay         : 0.00 sec
Precision            : 2**7              Root Dispersion    : 15.91 sec
NTP Uptime           : 01d 09h 15m       Time Resolution    : 1
Drift                 : 0.000000000 sec/sec

System Time          : Tue Aug 25 04:59:11 2015
Reference Time       : Mon Jan 1 00:00:00 1990
```

show ntp associations

Syntax

```
show ntp associations [detail
<IP-ADDR>]
```

Description

Show the status of configured NTP associations.

Options

detail

Show the detailed status of NTP associations configured for the system.

Switch(config)# show ntp associations

```

                                NTP Associations Entries
-----
Address          St   T   When Poll  Reach  Delay  Offset  Dispersion
-----
121.0.23.1      16  u   - 1024    0      0.000  0.000    0.000
231.45.21.4     16  u   - 1024    0      0.000  0.000    0.000
55.21.56.2      16  u   - 1024    0      0.000  0.000    0.000
23.56.13.1      3   u  209 1024   377    54.936 -6.159   12.688
91.34.255.216   4   u  132 1024   377    1.391  0.978   3.860
```

Switch(config)# show ntp associations detail <IP ADDR>

```
NTP association information

IP address       : 172.31.32.2           Peer Mode          : Server
Status           : Configured, Insane, Invalid Peer Poll Intvl    : 64
Stratum          : 5                   Root Delay         : 137.77 sec
Ref Assoc ID     : 0                   Root Dispersion    : 142.75
Association Name  : NTP Association 0    Reach              : 376
Reference ID     : 16.93.49.4           Delay              : 4.23 sec
Our Mode         : Client                Offset             : -8.587 sec
Our Poll Intvl   : 1024                  Precision          : 2**19
```



```
Dispersion      : 1.62 sec
Association In Packets : 60
Association Out Packets : 60
Association Error Packets : 0
Origin Time     : Fri Jul 3 11:39:40 2015
Receive Time    : Fri Jul 3 11:39:44 2015
Transmit Time   : Fri Jul 3 11:39:44 2015
```

```
-----
Filter Delay = 4.23 4.14 2.41 5.95 2.37 2.33 4.26 4.33
Filter Offset = -8.59 -8.82 -9.91 -8.42 -10.51 -10.77 -10.13 -10.11
```

show ntp authentication

Syntax

Description

Show the authentication status and other information about the authentication key.

```
show ntp authentication
```

Switch(config)# show ntp authentication

```
NTP Authentication Information
```

Key-ID	Auth Mode	Trusted
67	md5	yes
7	md5	no
1	sha1	yes
2	sha1	no

Validation rules

Validation	Error/Warning/Prompt
If access-list name is not valid.	Please enter a valid access-list name.
If the authentication method is being set to two-factor authentication, various messages display.	<p>If both the public key and username/password are not configured: Public key and username/password should be configured for a successful two-factor authentication.</p> <p>If public key is configured and username is not configured:</p> <p>Username and password should be configured for a successful two-factor authentication.</p> <p>If the username is configured and public key is not configured:</p> <p>Public key should be configured for a successful two-factor authentication.</p> <p>If "ssh-server" certificate is not installed at the time of enabling certificate-password authentication:</p> <p>The "ssh-server" certificate should be installed for a successful two-factor authentication.</p>
If the authentication method is set to two-factor while installing the public key, a message displays.	The client public keys without username will not be considered for the two-factor authentication for the SSH session.
If the username and the key installation user for that privilege do not match, a message displays and installation is not allowed.	The username in the key being installed does not match the username configured on the switch.
This will also happen when the authentication method is set for two-factor.	
If the maximum number of <username : TA profile> associations is reached for a given TA profile, a message displays.	Maximum number of username associations with a TA profile is 10.
If secondary authentication type for two-factor authentication chosen is not "none", a message displays.	Not legal combination of authentication methods.
If the authentication method is anything other than two-factor and the two-factor authentication method options are set, a message displays.	Not legal combination of authentication methods.
If two-factor authentication is set and user tries to SSH into another system using <code>ssh <ip hostname></code> command, a message displays.	SSH client is not supported when the two-factor authentication is enabled.

Table Continued

Validation	Error/Warning/Prompt
If timeSync is in SNTP or Timep when NTP is enabled.	Timesync is not configured to NTP.
If timesync is NTP and NTP is enabled and we try to change timesync to SNTP.	Disable NTP before changing timesync to SNTP or TIMEP.
If we try to configure NTP servers more than the configured max-associations value.	The maximum number of NTP servers allowed is 2.
If we have 'n' NTP servers configured and we try to configure a max-associations value less than (n) number of NTP servers already configured.	Max-associations value cannot be less than the number of NTP servers configured.
If authentication key-id is not configured.	Authentication key-id %d has not been configured.
If key-id is not marked as trusted.	Key-id %d is not trusted.
If min poll value is more than max poll value.	NTP max poll value should be more than min poll value.
If ipv6 is not enabled on vlan interface.	IPv6 address not configured on the VLAN.

Event log messages

Cause

Event	Message
RMON_AUTH_TWO_FACTOR_AUTHEN_STATUS	<p>W 01/01/15 18:24:03 03397: auth: %s.</p> <p>Examples:</p> <p>W 01/01/15 18:24:03 03397: auth: Public key and username/password should be configured for the successful two-factor authentication.</p> <p>W 01/01/15 18:24:03 03397: auth: Username and password should be configured for the successful two-factor authentication.</p> <p>W 01/01/15 18:24:03 03397: auth: Public key should be configured for the successful two-factor authentication.</p> <p>I 01/01/15 18:24:03 03397: auth: The validation of certificate of SSH user 'user1' is successful.</p>
RMON_SSH_KEY_TWO_FACTOR_EN	<p>W 01/01/15 18:24:03 03399: ssh: %s.</p> <p>Examples:</p> <p>W 01/01/15 18:24:03 03399: ssh: The client public keys without username will not be considered for the two-factor authentication for SSH session.</p> <p>W 01/01/15 18:24:03 03399: ssh: The privilege level for the user with the SSH key conflicts with the user configured.</p>
RMON_SSH_TWO_FACTOR_AUTH_FAIL	<p>W 01/01/15 18:24:03 03398: ssh: %s.</p> <p>Examples:</p> <p>W 01/01/15 18:24:03 03398: ssh: The two-factor authentication for SSH session failed due to the failure in public key authentication.</p> <p>W 01/01/15 18:24:03 03398: ssh: The two-factor authentication for SSH session failed due to the failure in username/password authentication.</p> <p>W 01/01/15 18:24:03 03398: ssh: The two-factor authentication for SSH session failed due to the failure in validating the client certificate.</p> <p>W 01/01/15 18:24:03 03398: ssh: The two-factor authentication for SSH session failed as "ssh-server" certificate is not installed.</p>
When NTP client enabled.	NTP client is enabled.
When NTP client disabled.	NTP client is disabled.

Table Continued

Event	Message
When NTP found a new broadcast server.	A new broadcast server at %s.
When system clock was updated with new time.	The system clock time was changed by %ld sec %lu nsec. The new time is %s.
When NTP stratum was updated.	The NTP Stratum was changed from %d to %d.
When all NTP associations are cleared.	All the NTP server associations are reset.
When server is not reachable.	The NTP Server 10.1.1.2 is unreachable. (2 times in 60 seconds)
When MD5/SHA1 authentication failed.	The MD5 authentication on the NTP packet failed. The SHA1 authentication on the NTP packet failed.

Precision Time Protocol (PTP)

ptp

Syntax

```
ptp {enable | disable}

no ptp {enable | disable}
```

Description

Enable updating of IEEE 1588 PTP packets.

- The feature is disabled by default.
- The `no` form of this command is the same as `ptp disable`.



This feature is available on the 2930M and only in standalone. It is disabled for stacks.

Command context

```
interface
```

Parameters

enable

When the `ptp` command is enabled, ports that support IEEE 1588 will operate in end-to-end transparent mode and will update the correction field of forwarded PTP packets.

disable

When the `ptp` command is disabled, PTP packets are forwarded unchanged.

Restrictions

- IEEE 1588 end-to-end transparent mode cannot be enabled when there are flexible modules or transceiver ports in the system that do not support IEEE 1588. If a user attempts this, an error message like the following displays: `Port A1 does not support IEEE 1588 end-to-end transparent mode.` Use the command `show ptp` to identify the unsupported ports.
- IEEE 1588 end-to-end transparent mode cannot be enabled on a stack. If the user attempts this, an error message like the following displays: `IEEE 1588 end-to-end transparent mode cannot be enabled when stacking is enabled.`
- IEEE 1588 end-to-end transparent mode must be enabled or disabled on all ports at the same time.
- MACsec cannot be enabled when IEEE 1588 end-to-end transparent mode is enabled.
- IEEE 1588 end-to-end transparent mode cannot be enabled when MACsec is enabled.

show ptp

Syntax

```
show ptp [<port-list>]
```

Description

Show IEEE 1588 PTP status.

Command context

Operator

Parameters

port-list

Specifies the ports for which to show PTP status.

Example

```
switch# show ptp
Status and Counters - Precision Time Protocol

Port  | PTP Config | PTP Status | RX Count | TX Count
-----+-----
1     | Enabled    | Active     | 0         | 0
. . .
43    | Enabled    | Active     | 3191      | 1148
. . .
47    | Disabled   | Inactive   | 0         | 0
48    | Disabled   | Inactive   | 0         | 0
A1    | Disabled   | Unsupported| 0         | 0
A2    | Disabled   | Unsupported| 0         | 0
```

Monitoring resources

Displaying current resource usage

To display current resource usage in the switch, enter the following command:

Syntax:

```
show {<qos | access-list | policy> resources}
```

Displays the resource usage of the policy enforcement engine on the switch by software feature. For each type of resource, the amount still available and the amount used by each software feature is shown.

<code>show resources</code>	This output allows you to view current resource usage and, if necessary, prioritize and reconfigure software features to free resources reserved for less important features.
<code>qosaccess-listopenflowpolicy</code>	Display the same command output and provide different ways to access task-specific information. See "Viewing OpenFlow Resources" in the OpenFlow administrators guide for your switch.

Displaying current resource usage shows the resource usage on a switch configured for ACLs, QoS, RADIUS-based authentication, and other features:

The "Rules Used" columns show that ACLs, VT, mirroring, and other features (For example, Management VLAN) have been configured globally or per-VLAN, because identical resource consumption is displayed for each port range in the switch. If ACLs were configured per-port, the number of rules used in each port range would be different.

Displaying current resource usage

```
switch(config)# show access-list resources
```

```
Resource usage in Policy Enforcement Engine
```

```
      | Rules      | Rules Used
Ports | Available  | ACL | QoS | IDM | Other |
-----+-----+-----+-----+-----+-----|
1-48  |          2006 | 10 | 5 | 0 | 6 |
```

```
      | Meters      | Meters Used
Ports | Available  | ACL | QoS | IDM | Other |
-----+-----+-----+-----+-----+-----|
1-48  |          255 |    | 5 |    | 0 |
```

```
      | Application |
      | Port Ranges | Application Port Ranges Used
Ports | Available  | ACL | QoS | IDM | Other |
-----+-----+-----+-----+-----+-----|
1-48  |          31 | 1 | 0 | 0 | 0 |
```

```
2 of 16 Policy Engine management resources used.
```

Key:

ACL = Access Control Lists

QoS = Device & Application Port Priority

IDM = Identity Driven Management

Other = Management VLAN, DHCP Snooping, ARP Protection, RA Guard.

Resource usage includes resources actually in use, or reserved for future use by the listed feature. Internal dedicated-purpose resources, such as port bandwidth limits or VLAN QoS priority, are not included.

Viewing information on resource usage

The switch allows you to view information about the current usage and availability of resources in the Policy Enforcement engine, including the following software features:

- Access control lists (ACL)
- Quality-of-service (QoS), including device and application port priority, ICMP rate-limiting, and QoS policies
- Dynamic assignment of per-port or per-user ACLs and QoS through RADIUS authentication designated as “IDM”, with or without the optional identity-driven management (IDM) application
- Virus throttling (VT) using connection-rate filtering
- Mirroring policies, including switch configuration as an endpoint for remote intelligent mirroring
- Other features, including:
 - Management VLAN
 - DHCP snooping
 - Dynamic ARP protection
 - Jumbo IP-MTU

Policy enforcement engine

The policy enforcement engine is the hardware element in the switch that manages QoS, mirroring, and ACL policies, as well as other software features, using the rules that you configure. Resource usage in the policy enforcement engine is based on how these features are configured on the switch:

- Resource usage by dynamic port ACLs is determined as follows:

Dynamic port ACLs configured by a RADIUS server (with or without the optional IDM application) for an authenticated client determine the current resource consumption for this feature on a specified slot. When a client session ends, the resources in use for that client become available for other uses.

- When the following features are configured globally or per-VLAN, resource usage is applied across all port groups or all slots with installed modules:
 - ACLs
 - QoS configurations that use the following commands:
 - QoS device priority (IP address) through the CLI using the `qos device-priority` command
 - QoS application port through the CLI using `qos tcp-port` or `qos udp-port`
 - VLAN QoS policies through the CLI using `service-policy`
 - Management VLAN configuration
 - DHCP snooping
 - Dynamic ARP protection
 - Remote mirroring endpoint configuration

- Mirror policies per VLAN through the CLI using `monitor service`
- Jumbo IP-MTU
- When the following features are configured per-port, resource usage is applied only to the slot or port group on which the feature is configured:
 - ACLs or QoS applied per-port or per-user through RADIUS authentication
 - ACLs applied per-port through the CLI using the `ip access-group` or `ipv6 traffic-filter` commands
 - QoS policies applied per port through the CLI using the `service-policy` command
 - Mirror policies applied per-port through the CLI using the `monitor all service` and `service-policy` commands
 - ICMP rate-limiting through the CLI using the `rate-limit icmp` command

Usage notes for show resources output

- A 1:1 mapping of internal rules to configured policies in the switch does not necessarily exist. As a result, displaying current resource usage is the most reliable method for keeping track of available resources. Also, because some internal resources are used by multiple features, deleting a feature configuration may not increase the amount of available resources.
- Resource usage includes resources actually in use or reserved for future use by the listed features.
- "Internal dedicated-purpose resources" include the following features:
 - Per-port ingress and egress rate limiting through the CLI using `rate-limit in/out`
 - Per-port or per-VLAN priority or DSCP through the CLI using `qos priority` or `qos dscp`
 - Per protocol priority through the CLI using `qos protocol`
- The "Available" columns display the resources available for additional feature use.
- The "IDM" column shows the resources used for RADIUS-based authentication with or without the IDM option.
- "Meters" are used when applying either ICMP rate-limiting or a QoS policy with a rate-limit class action.

When insufficient resources are available

The switch has ample resources for configuring features and supporting RADIUS-authenticated clients (with or without the optional IDM application).

If the resources supporting these features become fully subscribed:

- The current feature configuration, RADIUS-authenticated client sessions, and VT instances continue to operate normally.
- The switch generates an event log notice to say that current resources are fully subscribed.
- Currently engaged resources must be released before any of the following actions are supported:
 - Modifying currently configured ACLs, IDM, VT, and other software features, such as Management VLAN, DHCP snooping, and dynamic ARP protection. You can modify currently configured classifier-based QoS and

mirroring policies if a policy has not been applied to an interface. However, sufficient resources must be available when you apply a configured policy to an interface.

- Acceptance of new RADIUS-based client authentication requests (displayed as a new resource entry for IDM). Failure to authenticate a client that presents valid credentials may indicate that insufficient resources are available for the features configured for the client in the RADIUS server. To troubleshoot, check the event log.
- Throttling or blocking of newly detected clients with high rate-of-connection requests (as defined by the current VT configuration). The switch continues to generate Event Log notifications (and SNMP trap notification, if configured) for new instances of high-connection-rate behavior detected by the VT feature.

Viewing port status and configuring port parameters

Connecting transceivers to fixed-configuration devices

If the switch either fails to show a link between an installed transceiver and another device or demonstrates errors or other unexpected behavior on the link, check the port configuration on both devices for a speed and/or duplex (mode) mismatch.

- To check the mode setting for a port on the switch, use either the Port Status screen in the menu interface or `show interfaces brief` in the CLI (see **Viewing port status and configuration (CLI)**).
- To display information about the transceivers installed on a switch, enter the `show tech receivers` command in the CLI (**The show tech transceivers command** on page 83).



Table 3: Status and parameters for each port type

Status or parameter	Description
Enabled	<p>Yes (default): The port is ready for a network connection.</p> <p>No: The port will not operate, even if properly connected in a network. Use this setting, For example, if the port needs to be shut down for diagnostic purposes or while you are making topology changes.</p>
Status (read-only)	<p>Up: The port senses a link beat.</p> <p>Down: The port is not enabled, has no cables connected, or is experiencing a network error. For troubleshooting information, see the installation and getting started guide you received with the switch. See also to Appendix C, "Troubleshooting" (in this manual).</p>

Table Continued

Status or parameter	Description
Mode	<p>The port's speed and duplex (data transfer operation) setting. 10/100/1000Base-T Ports:</p> <ul style="list-style-type: none"> • Auto-MDIX (default): Senses speed and negotiates with the port at the other end of the link for port operation (MDI-X or MDI). To see what the switch negotiates for the auto setting, use the CLI <code>show interfaces brief</code> command or the 3. Port Status option under 1. Status and Counters in the menu interface. • MDI: Sets the port to connect with a PC using a crossover cable (manual mode—applies only to copper port switches using twisted-pair copper Ethernet cables) • MDIX: Sets the port to connect with a PC using a straight-through cable (manual mode—applies only to copper port switches using twisted-pair copper Ethernet cables) • Auto-10: Allows the port to negotiate between half-duplex (HDx) and full-duplex (FDx) while keeping speed at 10 Mbps. Also negotiates flow control (enabled or disabled). Hewlett Packard Enterprise recommends auto-10 for links between 10/100 auto-sensing ports connected with Cat 3 cabling. (Cat 5 cabling is required for 100 Mbps links.) • 10HDx: 10 Mbps, half-duplex • 10FDx: 10 Mbps, full-duplex • Auto-100: Uses 100 Mbps and negotiates with the port at the other end of the link for other port operation features. • Auto-10-100: Allows the port to establish a link with the port at the other end at either 10 Mbps or 100 Mbps, using the highest mutual speed and duplex mode available. Only these speeds are allowed with this setting. • Auto-1000: Uses 1000 Mbps and negotiates with the port at the other end of the link for other port operation features. • 100Hdx: Uses 100 Mbps, half-duplex. • 100Fdx: Uses 100 Mbps, full-duplex <p>Gigabit Fiber-Optic Ports (Gigabit-SX, Gigabit-LX, and Gigabit-LH):</p> <ul style="list-style-type: none"> • 1000FDx: 1000 Mbps (1 Gbps), full-duplex only • Auto (default): The port operates at 1000FDx and auto-negotiates flow control with the device connected to the port. <p>Gigabit Copper Ports:</p> <ul style="list-style-type: none"> • 1000FDx: 1000 Mbps (1 Gbps), full-duplex only • Auto (default): The port operates at 1000FDx and auto-negotiates flow control with the device connected to the port.

Table Continued

Status or parameter	Description
	<p>10-Gigabit CX4 Copper Ports: 10-Gigabit SC Fiber-Optic Ports (10-GbE SR, 10-GbE LR, 10-GbE ER):</p> <p>Auto: The port operates at 10 gigabits FDx and negotiates flow control. Lower speed settings or half-duplex are not allowed.</p> <hr/> <p> Conditioning patch cord cables are not supported on 10-GbE.</p> <hr/>
Auto-MDIX	<p>The switch supports Auto-MDIX on 10Mb, 100Mb, and 1 Gb T/TX (copper) ports. (Fiber ports and 10-gigabit ports do not use this feature.)</p> <ul style="list-style-type: none"> • <code>Automdix</code>: Configures the port for automatic detection of the cable type (straight-through or crossover). • <code>MDI</code>: Configures the port to connect to a switch, hub, or other MDI-X device with a straight-through cable. • <code>MDIX</code>: Configures the port to connect to a PC or other MDI device with a straight-through cable.
Flow control	<ul style="list-style-type: none"> • <code>Disabled</code> (default): The port does not generate flow control packets, and drops any flow control packets it receives. • <code>Enabled</code>: The port uses 802.3x link layer flow control, generates flow-control packets, and processes received flow-control packets. <p>With the port mode set to <code>Auto</code> (the default) and flow control enabled, the switch negotiates flow control on the indicated port. If the port mode is not set to <code>Auto</code>, or if flow control is disabled on the port, flow control is not used. Note that flow control must be enabled on both ends of a link.</p>
Broadcast limit	<p>Specifies the percentage of the theoretical maximum network bandwidth that can be used for broadcast traffic. Any broadcast traffic exceeding that limit will be dropped. Zero (0) means the feature is disabled.</p> <p>The broadcast-limit command operates at the port context level to set the broadcast limit for a port on the switch.</p> <hr/> <p> This feature is not appropriate for networks that require high levels of IPX or RIP broadcast traffic.</p> <hr/>

Viewing port configuration (Menu)

The menu interface displays the configuration for ports and (if configured) any trunk groups.

From the Main Menu, select:

1. Status and Counters 4. Port Status

A switch port status screen

```
=====-- CONSOLE - MANAGER MODE -----
                        Status and Counters - Port Status

Port      Type      Intrusion
Alert     Enabled  Status   Mode     MDI     Flow  Bcast
Mode     Ctrl    Limit
-----
1         100/1000T No       Yes      Down    100FDx  Auto  off  0
2         100/1000T No       Yes      Down    1000FDx Auto  off  0
3         100/1000T No       Yes      Down    1000FDx Auto  off  0
4         100/1000T No       Yes      Down    1000FDx Auto  off  0
5         100/1000T No       Yes      Down    1000FDx Auto  off  0
6         100/1000T No       Yes      Down    1000FDx Auto  off  0
7         100/1000T No       Yes      Down    1000FDx Auto  off  0
8         100/1000T No       Yes      Down    1000FDx Auto  off  0
9         100/1000T No       Yes      Down    1000FDx Auto  off  0
10        100/1000T No       Yes      Down    1000FDx Auto  off  0
11        100/1000T No       Yes      Down    1000FDx Auto  off  0

Actions->  Back   Intrusion log   Help
```

Return to previous screen.

Use up/down arrow keys to scroll to other entries, left/right arrow keys to change action selection, and <Enter> to execute action.

Configuring ports (Menu)

The menu interface uses the same screen for configuring both individual ports and port trunk groups. For information on port trunk groups, see the chapter on "Port Trunking".

Procedure

1. From the Main Menu, select:
 2. Switch Configuration...
 2. Port/Trunk Settings

Port/trunk settings with a trunk group configured

```
=====-- TELNET - MANAGER MODE -----
                        Switch Configuration - Port/Trunk Settings

Port      Type      Enabled  Mode     Flow Ctrl  Group  Type
-----
A1        1000T    | Yes     Auto-10-100  Disable
A2        1000T    | Yes     Auto-10-100  Disable
A3        1000T    | Yes     Auto         Disable
A3        1000T    | Yes     Auto         Disable
A4        1000T    | Yes     Auto         Disable
A5        1000T    | Yes     Auto         Disable
A6        1000T    | Yes     Auto         Disable
A7        1000T    | Yes     Auto         Disable   Trk1   Trunk
A8        1000T    | Yes     Auto         Disable   Trk2   Trunk

Actions->  Cancel   Edit     Save     Help
```

Cancel changes and return to previous screen.

Use arrow keys to change action selection and <Enter> to execute action.

2. Press [E] (for **E**dit).

The cursor moves to the `Enabled` field for the first port.

For further information on configuration options for these features, see the online help provided with this screen.

3. When you have finished making changes to the above parameters, press [Enter], then press [S] (for **S**ave).

Viewing port status and configuration (CLI)

Use the following commands to display port status and configuration data.

Syntax:

```
show interfaces [brief | config | < port-list >]
```

brief

Lists the current operating status for all ports on the switch.

config

Lists a subset of configuration data for all ports on the switch; that is, for each port, the display shows whether the port is enabled, the operating mode, and whether it is configured for flow control.

<port-list>

Shows a summary of network traffic handled by the specified ports.

The show interfaces brief command listing

```
switch(config)# show interfaces brief
Status and Counters - Port Status
```

Port	Type	Intrusion		Status	Mode	MDI Mode	Flow Ctrl	Bcast Limit
		Alert	Enabled					
B1	100/1000T	No	Yes	Down	Auto-10-100	Auto	off	0
B2	100/1000T	No	Yes	Down	1000FDx	Auto	off	0
B3	100/1000T	No	Yes	Down	1000FDx	Auto	off	0
B4	100/1000T	No	Yes	Down	1000FDx	Auto	off	0
B5	100/1000T	No	Yes	Down	1000FDx	Auto	off	0
B6	100/1000T	No	Yes	Down	1000FDx	Auto	off	0

The show interfaces config command listing

```
switch(config)# show interfaces config
```

Port Settings

Port	Type	Enabled	Mode	Flow Ctrl	MDI
B1	100/1000T	Yes	Auto-10-100	Disable	Auto
B2	100/1000T	Yes	Auto	Disable	Auto
B3	100/1000T	Yes	Auto	Disable	Auto
B4	100/1000T	Yes	Auto	Disable	Auto

B5	100/1000T	Yes	Auto	Disable	Auto
B6	100/1000T	Yes	Auto	Disable	Auto

Dynamically updating the show interfaces command (CLI/Menu)

Syntax:

```
show interfaces display
```

Uses the `display` option to initiate the dynamic update of the `show interfaces` command, with the output being the same as the `show interfaces` command.



Select **Back** to exit the display.

Example:

```
switch# show interfaces display
```

When using the **display** option in the CLI, the information stays on the screen and is updated every 3 seconds, as occurs with the display using the menu feature. The update is terminated with **Cntl-C**.

You can use the arrow keys to scroll through the screen when the output does not fit in one screen.

Figure 7: `show interfaces display` command with dynamically updating output

Status and Counters - Port Counters						
Port	Total Bytes	Total Frames	Errors Rx	Drops Tx	Flow Ctrl	Bca> Lim>
1	2,164,277	20,366	0	0	off	0
2	0	0	0	0	off	0
3	0	0	0	0	off	0
4	0	0	0	0	off	0
5	0	0	0	0	off	0
6	0	0	0	0	off	0
7	0	0	0	0	off	0
8	0	0	0	0	off	0
9	0	0	0	0	off	0
10	0	0	0	0	off	0
11	0	0	0	0	off	0

Actions-> **Back** Show details Reset Help

Use up/down arrow keys to scroll to other entries, left/right arrow keys to change action selection, and <Enter> to execute action.

Customizing the show interfaces command (CLI)

You can create `show` commands displaying the information that you want to see in any order you want by using the `custom` option.

Syntax:

```
show interfaces custom [port-list] column-list
```

Select the information that you want to display. Supported columns are shown in the table below.

Table 4: Supported columns, what they display, and examples:

Parameter column	Displays	Examples
port	Port identifier	A2
type	Port type	100/1000T
status	Port status	up or down
speed	Connection speed and duplex	1000FDX
mode	Configured mode	auto, auto-100, 100FDX
mdi	MDI mode	auto, MDIX
flow	Flow control	on or off
name	Friendly port name	
vlanid	The vlan id this port belongs to, or "tagged" if it belongs to more than one vlan	4tagged
enabled	port is or is not enabled	yes or nointrusion
intrusion	Intrusion alert status	no
bcast	Broadcast limit	0

The custom show interfaces command

```
switch(config)# show int custom 1-4 port name:4 type vlan intrusion speed enabled mdi
```

Status and Counters - Custom Port Status

Port	Name	Type	VLAN	Intrusion Alert	Speed	Enabled	MDI-mode
1	Acco	100/1000T	1	No	1000FDx	Yes	Auto
2	Huma	100/1000T	1	No	1000FDx	Yes	Auto
3	Deve	100/1000T	1	No	1000FDx	Yes	Auto
4	Lab1	100/1000T	1	No	1000FDx	Yes	Auto

You can specify the column width by entering a colon after the column name, then indicating the number of characters to display. In the above example, the Name column displays only the first four characters of the name. All remaining characters are truncated.



Each field has a fixed minimum width to be displayed. If you specify a field width smaller than the minimum width, the information is displayed at the minimum width. For example, if the minimum width for the Name field is 4 characters and you specify Name:2, the Name field displays 4 characters.

You can enter parameters in any order. There is a limit of 80 characters per line; if you exceed this limit an error displays.

Error messages associated with the show interfaces command

The following table provides information on error messages associated with the `show interfaces custom` command.

Error	Error message
Requesting too many fields (total characters exceeds 80)	Total length of selected data exceeds one line
Field name is misspelled	Invalid input: <i><input></i>
Mistake in specifying the port list	Module not present for port or invalid port: <i><input></i>
The port list is not specified	Incomplete input: custom

Note on using pattern matching with the show interfaces custom command

If you have included a pattern matching command to search for a field in the output of the `show int custom` command, and the `show int custom` command produces an error, the error message may not be visible and the output is empty. For example, if you enter a command that produces an error (such as `vlan` is misspelled) with the pattern matching `include` option, the output may be empty:

```
HP Switch(config)# show int custom 1-3 name vlun | include vlan1
```

It is advisable to try the `show int custom` command first to ensure there is output, and then enter the command again with the pattern matching option.

Note that in the above command, you can substitute `int` for `interface`; that is: `show int custom`.

show interface smartrate

Syntax

```
show interface <PORT-LIST> smartrate
```

Description

The option `smartrate` has been added to the `show interface <PORT-LIST>` command. This option is used to display port diagnostics on a Smart Rate port only. If the command is run on a non - Smart Rate port, a message similar to `Port A1: This command is only applicable to Smart Rate ports` is displayed.

The `show interface <PORT-LIST> smartrate` command can be used to retrieve the physical layer link diagnostics information for the `smartrate` ports. As part of 802.3bz implementation, the CLI information has been updated with the latest BASE-T modes.

Viewing port utilization statistics (CLI)

Use the `show interface port-utilization` command to view a real-time rate display for all ports on the switch. The example below shows a sample output from this command.

A show interface port-utilization command listing

```
switch(config)# show interfaces port-utilization  
Status and Counters - Port Utilization
```

Port	Mode	Rx			Tx		
		Kbits/sec	Pkts/sec	Util	Kbits/sec	Pkts/sec	Util
B1	1000FDx	0	0	0	0	0	0
B2	1000FDx	0	0	0	0	0	0
B3	1000FDx	0	0	0	0	0	0
B4	1000FDx	0	0	0	0	0	0
B5	1000FDx	0	0	0	0	0	0
B6	1000FDx	0	0	0	0	0	0
B7	100FDx	624	86	00.62	496	0	00.49

Operating notes for viewing port utilization statistics

- For each port on the switch, the command provides a real-time display of the rate at which data is received (Rx) and transmitted (Tx) in terms of kilobits per second (KBits/s), number of packets per second (Pkts/s), and utilization (Util) expressed as a percentage of the total bandwidth available.
- The `show interfaces <port-list>` command can be used to display the current link status and the port rate average over a 5 minute period. Port rates are shown in bits per second (bps) for ports up to 1 Gigabit; for 10 Gigabit ports, port rates are shown in kilobits per second (Kbps).

Viewing transceiver status (CLI)

The `show interfaces transceivers` command allows you to:

- Remotely identify transceiver type and revision number without having to physically remove an installed transceiver from its slot.
- Display real-time status information about all installed transceivers, including non-operational transceivers.

The example shows sample output from the `show tech transceivers` command.



Part # column below enables you to determine the manufacturer for a specified transceiver and revision number.

The show tech transceivers command

```
switch# show tech transceivers
```

Transceiver Technical Information:

Port #	Type	Prod #	Serial #	Part #
21	1000SX	J4858B	CN605MP23K	
22	1000LX	J4859C	H11E7X	2157-2345
23	??	??	non operational	
25	10GbE-CX4	J8440A	US509RU079	
26	10GbE-CX4	J8440A	US540RU002	
27	10GbE-LR	J8437B	PPA02-2904:0017	2157-2345
28	10GbE-SR	J8436B	01591602	2158-1000
29	10GbE-ER	J8438A	PPA03-2905:0001	

The following transceivers may not function correctly:

Port #	Message
Port 23	Self test failure.

Operating Notes

The following information is displayed for each installed transceiver:

- Port number on which transceiver is installed.
- Type of transceiver.
- Product number — Includes revision letter, such as A, B, or C. If no revision letter follows a product number, this means that no revision is available for the transceiver.
- Part number — Allows you to determine the manufacturer for a specified transceiver and revision number.
- For a non-HPE switches installed transceiver (see **line 23 of "The show tech transceivers command" example**), no transceiver type, product number, or part information is displayed. In the Serial Number field, `non-operational` is displayed instead of a serial number.
- The following error messages may be displayed for a non-operational transceiver:
 - `Unsupported Transceiver. (SelfTest Err#060)`
 - `This switch only supports revision B and above transceivers.`
 - `Self test failure.`
 - `Transceiver type not supported in this port.`
 - `Transceiver type not supported in this software version.`
 - `Not an HPE Switch Transceiver.`

Enabling or disabling ports and configuring port mode (CLI)

You can configure one or more of the following port parameters.

See **Status and parameters for each port type**.

Syntax:

```
[no] interface <port-list> [<disable|enable>]
```

Disables or enables the port for network traffic. Does not use the `no` form of the command. (Default: `enable`.)

```
speed-duplex [<auto-10|10-full|10-half|100-full|100-half|auto|auto-100|1000-full>]
```

Note that in the above Syntax, you can substitute `int` for `interface` (for example, `int <port-list>`).

Specifies the port's data transfer speed and mode. Does not use the `no` form of the command. (Default: `auto`.)

The 10/100 auto-negotiation feature allows a port to establish a link with a port at the other end at either 10 Mbps or 100 Mbps, using the highest mutual speed and duplex mode available. Only these speeds are allowed with this setting.

Examples:

To configure port C5 for auto-10-100, enter this command:

```
switch(config)# int c5 speed-duplex auto-10-100
```

To configure ports C1 through C3 and port C6 for 100Mbps full-duplex, enter these commands:

```
switch(config)# int c1-c3,c6 speed-duplex 100-full
```

Similarly, to configure a single port with the above command settings, you could either enter the same command with only the one port identified or go to the context level for that port and then enter the command. For example, to enter the context level for port C6 and then configure that port for 100FDx:

```
switch(config)# int e c6
switch(eth-C6)# speed-duplex 100-full
```

If port C8 was disabled, and you wanted to enable it and configure it for 100FDx with flow-control active, you could do so with either of the following command sets:

Figure 8: Two methods for changing a port configuration

```
HP Switch(config)# int c8 enable
HP Switch(config)# int c8 speed-duplex 100-full
HP Switch(config)# int c8 flow-control

HP Switch(config)# int c8
HP Switch(eth-C8)# enable
HP Switch(eth-C8)# speed-duplex 100-full
```

These commands enable and configure port C8 from the config level:

These commands select the port C8 context level and then apply the subsequent configuration commands to port C8:

For more on flow control, see [Enabling or disabling flow control \(CLI\)](#) on page 85.

Enabling or disabling flow control (CLI)



You must enable flow control on both ports in a given link. Otherwise, flow control does not operate on the link and appears as `Off` in the `show interfaces brief` port listing, even if flow control is configured as enabled on the port in the switch. (See [The show interfaces brief command listing](#) example.) Also, the port (speed-duplex) mode must be set to `Auto` (the default).

To disable flow control on some ports, while leaving it enabled on other ports, just disable it on the individual ports you want to exclude.

(You can find more information on flow control in the [Status and parameters for each port type](#) table.)

Syntax:

```
[no] interface <port-list> flow-control
```

Enables or disables flow control packets on the port. The `no` form of the command disables flow control on the individual ports. (Default: Disabled.)

Examples:

Suppose that:

1. You want to enable flow control on ports A1-A6.
2. Later, you decide to disable flow control on ports A5 and A6.
3. As a final step, you want to disable flow control on all ports.

Assuming that flow control is currently disabled on the switch, you would use these commands:

Figure 9: Configuring flow control for a series of ports

```
switch(config)# int a1-a6 flow-control
```

```
switch(config)# show interfaces brief
```

Status and Counters - Port Status

Port	Type	Intrusion		Status	Mode	MDI Mode	Flow Ctrl	Bcast Limit
		Alert	Enabled					
A1	10GbE-T	No	Yes	Up	1000FDx	NA	on	0
A2	10GbE-T	No	Yes	Up	10GigFD	NA	on	0
A3	10GbE-T	No	Yes	Up	10GigFD	NA	on	0
A4	10GbE-T	No	Yes	Up	10GigFD	NA	on	0
A5	10GbE-T	No	Yes	Up	10GigFD	NA	on	0
A6	10GbE-T	No	Yes	Up	10GigFD	NA	on	0
A7	10GbE-T	No	Yes	Down	10GigFD	NA	off	0
A8	10GbE-T	No	Yes	Up	10GigFD	NA	off	0

```
switch(config)# no int a5-a6 flow-control
```

```
switch(config)# show interfaces brief
```

Status and Counters - Port Status

Port	Type	Intrusion		Status	Mode	MDI Mode	Flow Ctrl	Bcast Limit
		Alert	Enabled					
A1	10GbE-T	No	Yes	Up	1000FDx	NA	on	0
A2	10GbE-T	No	Yes	Down	10GigFD	NA	on	0
A3	10GbE-T	No	Yes	Down	10GigFD	NA	on	0
A4	10GbE-T	No	Yes	Down	10GigFD	NA	on	0
A5	10GbE-T	No	Yes	Down	10GigFD	NA	off	0
A6	10GbE-T	No	Yes	Down	10GigFD	NA	off	0
A7	10GbE-T	No	Yes	Down	10GigFD	NA	off	0
A8	10GbE-T	No	Yes	Down	10GigFD	NA	off	0

```
switch(config)# no int a1-a4 flow-control
```

```
switch(config)# show interfaces brief
```

Status and Counters - Port Status

Port	Type	Intrusion		Status	Mode	MDI Mode	Flow Ctrl	Bcast Limit
		Alert	Enabled					
A1	10GbE-T	No	Yes	Down	1000FDx	NA	off	0
A2	10GbE-T	No	Yes	Down	10GigFD	NA	off	0
A3	10GbE-T	No	Yes	Down	10GigFD	NA	off	0
A4	10GbE-T	No	Yes	Down	10GigFD	NA	off	0
A5	10GbE-T	No	Yes	Down	10GigFD	NA	off	0
A6	10GbE-T	No	Yes	Down	10GigFD	NA	off	0
A7	10GbE-T	No	Yes	Down	10GigFD	NA	off	0
A8	10GbE-T	No	Yes	Down	10GigFD	NA	off	0

Port shutdown with broadcast storm

A LAN broadcast storm arises when an excessively high rate of broadcast packets flood the LAN. Occurrence of LAN broadcast storm disrupts traffic and degrades network performance. To prevent LAN traffic from being disrupted, an enhancement of fault-finder commands adds new options, and the corresponding MIBs, that trigger a port disablement when a broadcast storm is detected on that port.

Under this enhancement, the CLI commands given only supports broadcast traffic and not multicast and unicast types of traffic.

The waiting period range for re-enabling ports is 0 to 604800 seconds. The default waiting period to re-enable a port is zero which prevents the port from automatic re-enabling.



Avoid port flapping when choosing the waiting period by considering the time to re-enable carefully.

Use the following commands to configure the broadcast-storm on a port.

Syntax:

```
[no] fault-finder broadcast-storm [ethernet] <port-list> action [warn|warn-and-disable <seconds>] [percent <percent>|pps <rate>]
```

To remove the current configuration of broadcast-storm on a port, use:

Syntax:

```
no fault-finder broadcast-storm [ethernet] <port-list>
```

broadcast-storm

Configure broadcast storm control.

pps

Rising threshold level in number of broadcast packets per second.

percent

Rising threshold level as a percentage of bandwidth of the port. The percentage is calculated on 64 byte packet size.

warn

Log the event only.

warn-and-disable

Log the event and disable the port.

seconds

Re-enable the port after waiting for the specified number of seconds. Default is not to re-enable.

Configuration examples:

```
switch(config)# fault-finder broadcast-storm [ethernet] <A1> action [warn-and-disable <65535>]< percent 10>
switch(config)# fault-finder broadcast-storm [ethernet] <A2> action [warn-and-disable <pps 100>
switch(config)# fault-finder broadcast-storm [ethernet] <A22> action [warn] <pps 100>
```

Viewing broadcast storm

Use the following command to display the broadcast-storm-control configuration.

Syntax:

```
show fault-finder broadcast-storm [[ethernet] port-list]
```

Examples:

```
switch# show fault-finder broadcast-storm [A1]
```

Port	Bcast Storm	Port Status	Rising Threshold	Action	Disable Timer	Disable Timer Left
A1	Yes	Down	10%	warn-and-disable	65535	—

```
switch (config)# show fault-finder broadcast-storm
```

Port	Bcast Storm	Port Status	Rising Threshold	Action	Disable Timer	Disable Timer Left
A1	Yes	Down	200 pps	warn-and-disable	10	9

```
switch (config)# show fault-finder broadcast-storm A1
```

Port	Bcast Storm	Port Status	Rising Threshold	Action	Disable Timer	Disable Timer Left
A1	No	Up	—	none	—	—

```
switch (config)# show fault-finder broadcast-storm
```

Port	Bcast Storm	Port Status	Rising Threshold	Action	Disable Timer	Disable Timer Left
A1	Yes	Up	75%	warn	—	—

SNMP MIB

SNMP support will be provided through the following MIB objects:

hpicfFfBcastStormControlPortConfig OBJECT IDENTIFIER

:: = { hpicfFaultFinder 5 }

hpicfFfBcastStormControlPortConfigTable OBJECT-TYPE

- syntax sequence: **HpicfFfBcastStormControlPortConfigEntry**
- max-access: not-accessible
- status: current
- description: This table provides information about broadcast storm control configuration of all ports. ::= {hpicfFfBcastStormControlPortConfig 1}

hpicfFfBcastStormControlPortConfigEntry OBJECT-TYPE

- syntax **HpicfFfBcastStormControlPortConfigEntry**
- max-access: not-accessible
- status: current
- description: This object provides information about broadcast storm control configuration of each port.
- index: {**hpicfffbcaststormcontrolportindex**} ::= {**hpicFfBcastStormControlPortConfigTable 1**}

hpicFfBcastStormControlPortConfigEntry ::=

Syntax sequence:**hpicFfBcastStormControlPortIndex** InterfaceIndex,

hpicFfBcastStormControlMode Integer,

hpicFfBcastStormControlRisingpercent Integer32,

hpicFfBcastStormControlRisingpps Integer32,

hpicFfBcastStormControlAction Integer,

hpicFfBcastStormControlPortDisableTimer Unsigned32

hpicFfBcastStormControlPortIndex OBJECT-TYPE

- Syntax: Interfaceindex
- max-access: not-accessible
- status: current
- description: The Index Value Which Uniquely Identifies A Row In The Interfaces Table.
::= {**hpicFfBcastStormControlPortConfigEntry 1**}

hpicFfBcastStormControlMode OBJECT-TYPE

- Syntax Integer: disabled(1), **Bcastrisinglevelpercent**(2), **Bcastrisinglevelpps**(3)
- max-access: read-write
- status: current
- description: The broadcast storm control mode of a port. A value of disable (1) indicates that no rising threshold value is set for broadcast storm traffic on this port. A value of **bcastrisinglevelpercent** (2) indicates that the rising threshold rate for broadcast storm traffic is configured in percentage of port bandwidth. A value of **bcastrisinglevelpps** (3) indicates that the rising threshold rate for broadcast storm traffic is configured in packets per second.
- DEFVAL: disabled
::= {**hpicFfBcastStormControlPortConfigEntry 2**}

hpicFfBcastStormControlRisingpercent OBJECT-TYPE

- Syntax Integer32 (1..100)
- max-access: read-write

- status: current
 - description: This Is The Rising Threshold Level in percent of bandwidth of the port. **hpicfFfBcastStormControlAction** occurs when broadcast traffic reaches this level.
- ::= {hpicfFfBcastStormControlPortConfigEntry 3}

hpicfFfBcastStormControlRisingpps OBJECT-TYPE

- Syntax Integer32 (1..10000000)
 - max-access: read-write
 - status: current
 - description: This object indicates the rising threshold for broadcast storm control. This value is in packets-per-second of received broadcast traffic. **hpicfffbcaststormcontrolaction** object takes action when broadcast traffic reaches this level.
- ::= {hpicfFfBcastStormControlPortConfigEntry 4}

hpicfFfBcastStormControlAction OBJECT-TYPE

- Syntax integer: none(1), warn(2), warnanddisable(3)
 - max-access: read-write
 - status: current
 - Description: This object defines the action taken by the switch when a broadcast storm occurs on a port. A value of none (1) indicates that no action is performed. A value of warn (2) indicates that an event is logged when broadcast traffic crosses the threshold value set on that port. A value of warn-and-disable (3) indicates that the port is disabled and an event is logged as soon as the broadcast traffic reaches the threshold value set on that port.
 - DEFVAL: none
- ::= {hpicfFfBcastStormControlPortConfigEntry 5}

hpicfFfBcastStormControlPortDisableTimer OBJECT-TYPE

- Syntax Unsigned32 (0..604800)
 - Units: seconds
 - max-access: read-write
 - status: current
 - Description: This object specifies the time period for which the port remains in disabled state. A port is disabled when broadcast traffic reaches the threshold value set on that port. This time period is specified in seconds. The default value is zero which means that the port remains disabled and is not enabled again.
 - DEFVAL {0}
- ::= {hpicfFfBcastStormControlPortConfigEntry 6}

Configuring auto-MDIX

Copper ports on the switch can automatically detect the type of cable configuration (MDI or MDI-X) on a connected device and adjust to operate appropriately.

This means you can use a "straight-through" twisted-pair cable or a "crossover" twisted-pair cable for any of the connections—the port makes the necessary adjustments to accommodate either one for correct operation. The following port types on your switch support the IEEE 802.3ab standard, which includes the "Auto MDI/MDI-X" feature:

- 10/100-TX xl module ports
- 100/1000-T xl module ports
- 10/100/1000-T xl module ports

Using the above ports:

- If you connect a copper port using a straight-through cable on a switch to a port on another switch or hub that uses MDI-X ports, the switch port automatically operates as an MDI port.
- If you connect a copper port using a straight-through cable on a switch to a port on an end node—such as a server or PC—that uses MDI ports, the switch port automatically operates as an MDI-X port.

Auto-MDIX was developed for auto-negotiating devices, and was shared with the IEEE for the development of the IEEE 802.3ab standard. Auto-MDIX and the IEEE 802.3ab Auto MDI/MID-X feature are completely compatible. Additionally, Auto-MDIX supports operation in forced speed and duplex modes.

For more information on this subject, see the IEEE 802.3ab standard reference. For more information on MDI-X, the installation and getting started guide for your switch.

Manual override

If you require control over the MDI/MDI-X feature, you can set the switch to either of these non-default modes:

- Manual MDI
- Manual MDI-X

The table below shows the cabling requirements for the MDI/MDI-X settings.

Table 5: *Cable types for auto and manual MDI/MDI-X settings*

Setting	MDI/MDI-X device type	
	PC or other MDI device type	Switch, hub, or other MDI-X device
Manual MDI	Crossover cable	Straight-through cable
Manual MDI-X	Straight-through cable	Crossover cable
Auto-MDI-X (the default)	Either crossover or straight-through cable	

The AutoMDIX features apply only to copper port switches using twisted-pair copper Ethernet cables.

Configuring auto-MDIX (CLI)

The auto-MDIX features apply only to copper port switches using twisted-pair copper Ethernet cables. For information about auto-MDIX, see [Configuring auto-MDIX](#) on page 91.

Syntax:

```
interface <port-list> mdix-mode < {auto-mdix | mdi | mdix}>
```

auto-mdix	The automatic, default setting. This configures the port for automatic detection of the cable (either straight-through or crossover).
mdi	The manual mode setting that configures the port for connecting to either a PC or other MDI device with a crossover cable, or to a switch, hub, or other MDI-X device with a straight-through cable.
mdix	The manual mode setting that configures the port for connecting to either a switch, hub, or other MDI-X device with a crossover cable, or to a PC or other MDI device with a straight-through cable.

Syntax:

```
show interfaces config
```

Lists the current per-port Auto/MDI/MDI-X configuration.

Syntax:

```
show interfaces brief
```

- Where a port is linked to another device, this command lists the MDI mode the port is currently using.
- In the case of ports configured for Auto (auto-mdix), the MDI mode appears as either MDI or MDIX, depending upon which option the port has negotiated with the device on the other end of the link.
- In the case of ports configured for MDI or MDIX, the mode listed in this display matches the configured setting.
- If the link to another device was up, but has gone down, this command shows the last operating MDI mode the port was using.
- If a port on a given switch has not detected a link to another device since the last reboot, this command lists the MDI mode to which the port is currently configured.

The `show interfaces config` displays the following data when port A1 is configured for `auto-mdix`, port A2 is configured for `mdi`, and port A3 is configured for `mdix`:

Displaying the current MDI configuration

```
switch(config)# show interfaces config
```

Port Settings

Port	Type	Enabled	Mode	Flow Ctrl	MDI
A1	10GbE-T	Yes	Auto	Disable	Auto
A2	10GbE-T	Yes	Auto	Disable	MDI
A3	10GbE-T	Yes	Auto	Disable	MDIX
A4	10GbE-T	Yes	Auto	Disable	Auto

A5	10GbE-T		Yes	Auto	Disable	Auto
A6	10GbE-T		Yes	Auto	Disable	Auto
A7	10GbE-T		Yes	Auto	Disable	Auto
A8	10GbE-T		Yes	Auto	Disable	Auto

Displaying the current MDI operating mode

```
switch(config)# show interfaces brief
```

```
Status and Counters - Port Status
```

Port	Type	Intrusion Alert	Enabled	Status	Mode	MDI Mode	Flow Ctrl	Bcast Limit
A1	10GbE-T	No	Yes	Up	1000FDx	MDIX	off	0
A2	10GbE-T	No	Yes	Down	10GigFD	MDI	off	0
A3	10GbE-T	No	Yes	Down	10GigFD	MDIX	off	0
A4	10GbE-T	No	Yes	Down	10GigFD	Auto	off	0
A5	10GbE-T	No	Yes	Down	10GigFD	Auto	off	0
A6	10GbE-T	No	Yes	Down	10GigFD	Auto	off	0
A7	10GbE-T	No	Yes	Down	10GigFD	Auto	off	0
A8	10GbE-T	No	Yes	Down	10GigFD	Auto	off	0

Using friendly (optional) port names

This feature enables you to assign alphanumeric port names of your choosing to augment automatically assigned numeric port names. This means you can configure meaningful port names to make it easier to identify the source of information listed by some `show` commands. (Note that this feature **augments** port numbering, but **does not replace** it.)

Configuring and operating rules for friendly port names

- At either the global or context configuration level, you can assign a unique name to a port. You can also assign the same name to multiple ports.
- The friendly port names you configure appear in the output of the `show name [port-list]`, `show config`, and `show interface <port-number>` commands. They do not appear in the output of other `show` commands or in Menu interface screens. (See **Displaying friendly port names with other port data (CLI)** on page 94.)
- Friendly port names are not a substitute for port numbers in CLI commands or Menu displays.
- Trunking ports together does not affect friendly naming for the individual ports. (If you want the same name for all ports in a trunk, you must individually assign the name to each port.)
- A friendly port name can have up to 64 contiguous alphanumeric characters.
- Blank spaces within friendly port names are not allowed, and if used, cause an **invalid input** error. (The switch interprets a blank space as a name terminator.)
- In a port listing, **not assigned** indicates that the port does not have a name assignment other than its fixed port number.
- To retain friendly port names across reboots, you must save the current running-configuration to the startup-config file after entering the friendly port names. (In the CLI, use the `write memory` command.)

Configuring friendly port names (CLI)

For detailed information about friendly port names, see **Using friendly (optional) port names** on page 93.

Syntax:

```
interface <port-list> name <port-name-string>
```

Assigns a port name to port-list.

Syntax:

```
no interface <port-list> name
```

Deletes the port name from <port-list>.

Configuring a single port name (CLI)

Suppose that you have connected port A3 on the switch to Bill Smith's workstation, and want to assign Bill's name and workstation IP address (10.25.101.73) as a port name for port A3:

Configuring a friendly port name

```
switch(config)# int A3 name  
Bill_Smith@10.25.101.73  
switch(config)# write mem  
switch(config)# show name A3
```

```
Port Names  
Port : A3  
Type : 10/100TX
```

Configuring the same name for multiple ports (CLI)

Suppose that you want to use ports A5 through A8 as a trunked link to a server used by a drafting group. In this case you might configure ports A5 through A8 with the name "Draft-Server:Trunk."

Configuring one friendly port name on multiple ports

```
switch(config)# int a5-a8 name Draft-Server:Trunk  
switch(config)# write mem  
switch(config)# show name a5-a8
```

```
Port Names  
  
Port : A5  
Type : 10GbE-T  
Name : Draft-Server:Trunk  
  
Port : A6  
Type : 10GbE-T  
Name : Draft-Server:Trunk  
  
Port : A7  
Type : 10GbE-T  
Name : Draft-Server:Trunk  
  
Port : A8  
Type : 10GbE-T  
Name : Draft-Server:Trunk
```

Displaying friendly port names with other port data (CLI)

You can display friendly port name data in the following combinations:

Syntax:

```
show name
```

Displays a listing of port numbers with their corresponding friendly port names and also quickly shows you which ports do not have friendly name assignments. (`show name` data comes from the running-config file.)

Syntax:

```
show interface <port-number>
```

Displays the friendly port name, if any, along with the traffic statistics for that port. (The friendly port name data comes from the running-config file.)

Syntax:

```
show config
```

Includes friendly port names in the per-port data of the resulting configuration listing. (`show config` data comes from the startup-config file.)

Listing all ports or selected ports with their friendly port names (CLI)

Syntax:

```
show name [port-list]
```

Lists the friendly port name with its corresponding port number and port type. The `show name` command without a port list shows this data for all ports on the switch.

Friendly port name data for all ports on the switch

```
switch(config)# show name
Port Names
  Port   Type           Name
  -----
  A1     10GbE-T
  A2     10GbE-T
  A3     10GbE-T      Bill_Smith@10.25.101.73
  A4     10GbE-T
  A5     10GbE-T      Draft-Server:Trunk
  A6     10GbE-T      Draft-Server:Trunk
  A7     10GbE-T      Draft-Server:Trunk
  A8     10GbE-T      Draft-Server:Trunk
```

Friendly port name data for specific ports on the switch

```
switch(config)# show name A3-A5
Port Names
  Port : A3
  Type : 10GbE-T
  Name : Bill_Smith@10.25.101.73
  Port : A4
  Type : 10GbE-T
  Name :
  Port : A5
  Type : 10GbE-T
  Name : Draft-Server:Trunk
```

Including friendly port names in per-port statistics listings (CLI)

Syntax:

```
show interface <port-number>
```

Includes the friendly port name with the port's traffic statistics listing. A friendly port name configured to a port is automatically included when you display the port's statistics output.

If you configure port A1 with the name "O'Connor_10.25.101.43," the `show interface` output for this port appears similar to the following:

A friendly port name in a per-port statistics listing

```
switch(config)# show interface a1
Status and Counters - Port Counters for port A1

Name      : O'Connor@10.25.101.43
MAC Address      : 001871-b995ff
Link Status      : Up
Totals (Since boot or last clear) :
  Bytes Rx       : 2,763,197           Bytes Tx       : 22,972
  Unicast Rx     : 2044                Unicast Tx    : 128
  Bcast/Mcast Rx : 23,456              Bcast/Mcast Tx : 26
Errors (Since boot or last clear) :
  FCS Rx        : 0                   Drops Tx      : 0
  Alignment Rx  : 0                   Collisions Tx : 0
  Runts Rx      : 0                   Late Colln Tx : 0
  Giants Rx     : 0                   Excessive Colln : 0
  Total Rx Errors : 0                 Deferred Tx   : 0
Others (Since boot or last clear) :
  Discard Rx    : 0                   Out Queue Len : 0
  Unknown Protos : 0
Rates (5 minute weighted average) :
  Total Rx (bps) : 3,028,168          Total Tx (bps) : 1,918,384
  Unicast Rx (Pkts/sec) : 5           Unicast Tx (Pkts/sec) : 0
  B/Mcast Rx (Pkts/sec) : 71         B/Mcast Tx (Pkts/sec) : 0
  Utilization Rx : 00.30 %           Utilization Tx : 00.19 %
```

For a given port, if a friendly port name does not exist in the running-config file, the Name line in the above command output appears as:

```
Name      :
```

Searching the configuration for ports with friendly port names (CLI)

This option tells you which friendly port names have been saved to the startup-config file. (`show config` does not include ports that have only default settings in the startup-config file.)

Syntax:

```
show config
```

Includes friendly port names in a listing of all interfaces (ports) configured with non-default settings. Excludes ports that have neither a friendly port name nor any other non-default configuration settings.

See **Listing of the startup-config file with a friendly port name configured (and saved)** on page 97 to configure port A1 with a friendly port name. Notice that the command sequence saves the friendly port name for port A1 in the startup-config file. The name entered for port A2 is not saved because it was executed after `write memory`.

Listing of the startup-config file with a friendly port name configured (and saved)

```
switch(config)# int A1 name Print_Server@10.25.101.43
switch(config)# write mem
switch(config)# int A2 name Herbert's_PC

switch(config)# show config

Startup configuration:
; J9091A Configuration Editor; Created on release xx.15.05.xxxx
hostname "HPSwitch"
interface AQ
  name "Print_Server@10.25.101.43"
exit

snmp-server community "public" Unrestricted
.
.
.
```

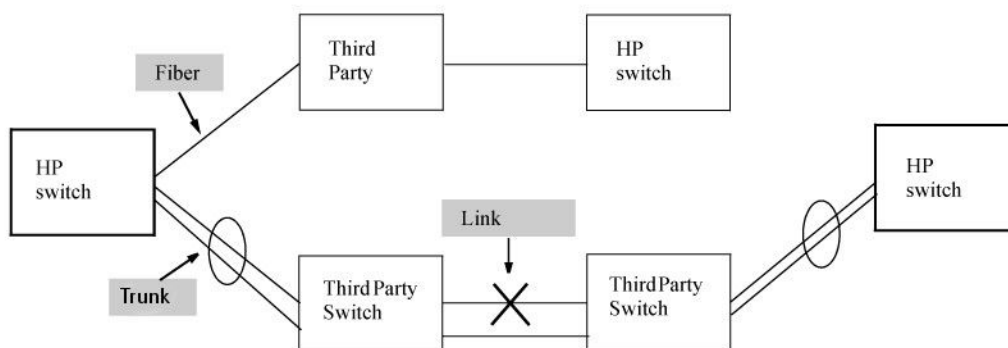
Uni-directional link detection (UDLD)

Uni-directional link detection (UDLD) monitors a link between two switches and blocks the ports on both ends of the link if the link fails at any point between the two devices. This feature is particularly useful for detecting failures in fiber links and trunks. **Figure 10: UDLD Example:** on page 97 shows an Example:.

Figure 10: UDLD Example:

Scenario 1 (No UDLD): Without UDLD, the switch ports remain enabled despite the link failure. Traffic continues to be load-balanced to the ports connected to the failed link.

Scenario 2 (UDLD-enabled): When UDLD is enabled, the feature blocks the ports connected to the failed link.



In this Example:, each switch load balances traffic across two ports in a trunk group. Without the UDLD feature, a link failure on a link that is not directly attached to one of the HPE switches remains undetected. As a result, each switch continue to send traffic on the ports connected to the failed link. When UDLD is enabled on the trunk ports on each switch, the switches detect the failed link, block the ports connected to the failed link, and use the remaining ports in the trunk group to forward the traffic.

Similarly, UDLD is effective for monitoring fiber optic links that use two uni-direction fibers to transmit and receive packets. Without UDLD, if a fiber breaks in one direction, a fiber port may assume the link is still good (because the other direction is operating normally) and continue to send traffic on the connected ports. UDLD-enabled ports; however, will prevent traffic from being sent across a bad link by blocking the ports in the event that either the individual transmitter or receiver for that connection fails.

Ports enabled for UDLD exchange health-check packets once every five seconds (the link-keepalive interval). If a port does not receive a health-check packet from the port at the other end of the link within the keepalive interval, the port waits for four more intervals. If the port still does not receive a health-check packet after waiting for five intervals, the port concludes that the link has failed and blocks the UDLD-enabled port.

When a port is blocked by UDLD, the event is recorded in the switch log or via an SNMP trap (if configured); and other port blocking protocols, like spanning tree or meshing, will not use the bad link to load balance packets. The port will remain blocked until the link is unplugged, disabled, or fixed. The port can also be unblocked by disabling UDLD on the port.

Configuring UDLD

When configuring UDLD, keep the following considerations in mind:

- UDLD is configured on a per-port basis and must be enabled at both ends of the link. See the note below for a list of switches that support UDLD.
- To configure UDLD on a trunk group, you must configure the feature on each port of the group individually. Configuring UDLD on a trunk group's primary port enables the feature on that port only.
- Dynamic trunking is not supported. If you want to configure a trunk group that contains ports on which UDLD is enabled, you must remove the UDLD configuration from the ports. After you create the trunk group, you can re-add the UDLD configuration.

Configuring uni-directional link detection (UDLD) (CLI)

For detailed information about UDLD, see [Uni-directional link detection \(UDLD\)](#) on page 97.

Syntax:

```
[no] interface <port-list> link-keepalive
```

Enables UDLD on a port or range of ports.

To disable this feature, enter the `no` form of the command.

Default: UDLD disabled

Syntax:

```
link-keepalive interval <interval>
```

Determines the time interval to send UDLD control packets. The *interval* parameter specifies how often the ports send a UDLD packet. You can specify from 10 to 100, in 100-ms increments, where 10 is 1 second, 11 is 1.1 seconds, and so on.

Default: 50 (5 seconds)

Syntax:

```
link-keepalive retries <num>
```

Determines the maximum number of retries to send UDLD control packets. The *num* parameter specifies the maximum number of times the port will try the health check. You can specify a value from 3 to 10.

Default: 5

Syntax:

```
[no] interface <port-list> link-keepalive vlan <vid>
```

Assigns a VLAN ID to a UDLD-enabled port for sending tagged UDLD control packets. Under default settings, untagged UDLD packets can still be transmitted and received on tagged only ports; however, a warning message is logged.

The `no` form of the command disables UDLD on the specified ports.

Default: UDLD packets are untagged; tagged-only ports transmit and receive untagged UDLD control packets

Enabling UDLD (CLI)

UDLD is enabled on a per-port basis.

Example:

To enable UDLD on port a1, enter:

```
switch(config)#interface a1 link-keepalive
```

To enable the feature on a trunk group, enter the appropriate port range. For example:

```
switch(config)#interface a1-a4 link-keepalive
```



When at least one port is UDLD-enabled, the switch will forward out UDLD packets that arrive on non-UDLD-configured ports out of all other non-UDLD-configured ports in the same vlan. That is, UDLD control packets will “pass through” a port that is not configured for UDLD. However, UDLD packets will be dropped on any blocked ports that are not configured for UDLD.

Changing the keepalive interval (CLI)

By default, ports enabled for UDLD send a link health-check packet once every 5 seconds. You can change the interval to a value from 10 to 100 deciseconds, where 10 is 1 second, 11 is 1.1 seconds, and so on.

Example:

To change the packet interval to seven seconds, enter the following command at the global configuration level:

```
switch(config)# link-keepalive interval 70
```

Changing the keepalive retries (CLI)

By default, a port waits 5 seconds to receive a health-check reply packet from the port at the other end of the link. If the port does not receive a reply, the port tries four more times by sending up to four more health-check packets. If the port still does not receive a reply after the maximum number of retries, the port goes down.

You can change the maximum number of keepalive attempts to a value from 3 to 10.

Example:

To change the maximum number of attempts to four, enter the following command at the global configuration level:

```
switch(config)# link-keepalive retries 4
```

Configuring UDLD for tagged ports

The default implementation of UDLD sends the UDLD control packets untagged, even across tagged ports. If an untagged UDLD packet is received by a non-HPE switch, that switch may reject the packet. To avoid such an occurrence, you can configure ports to send out UDLD control packets that are tagged with a specified VLAN.

To enable ports to receive and send UDLD control packets tagged with a specific VLAN ID, enter a command such as the following at the interface configuration level:

```
switch(config)#interface link-keepalive vlan 22
```



- You must configure the same VLANs that will be used for UDLD on all devices across the network; otherwise, the UDLD link cannot be maintained.
- If a VLAN ID is not specified, UDLD control packets are sent out of the port as untagged packets.
- To re-assign a VLAN ID, re-enter the command with the new VLAN ID number. The new command overwrites the previous command setting.
- When configuring UDLD for tagged ports, you may receive a warning message if there are any inconsistencies with the VLAN configuration of the port.

Viewing UDLD information (CLI)

Syntax:

```
show link-keepalive
```

Displays all the ports that are enabled for link-keepalive.

Syntax:

```
show link-keepalive statistics
```

Displays detailed statistics for the UDLD-enabled ports on the switch.

Syntax:

```
clear link-keepalive statistics
```

Clears UDLD statistics. This command clears the packets sent, packets received, and transitions counters in the show link-keepalive statistics display.

Viewing summary information on all UDLD-enabled ports (CLI)

Enter the show link-keepalive command.

Example:

Figure 11: Example: of show link-keepalive command

```
HP Switch(config)# show link-keepalive
```

Total link-keepalive enabled ports: 4
Keepalive Retries: 3 Keepalive Interval: 1 sec

Port	Enabled	Physical Status	Keepalive Status	Adjacent Switch	UDLD VLAN
1	Yes	up	up	00d9d-f9b700	200
2	Yes	up	up	01560-7b1600	
3	Yes	down	off-line		
4	Yes	up	failure		
5	No	down	off-line		

Port 1 is UDLD-enabled, and tagged for a specific VLAN.

Port 3 is UDLD-enabled, but has no physical connection.

Port 4 is connected, but is blocked due to a link-keepalive failure

Port 5 has been disabled by the System Administrator.

Viewing detailed UDLD information for specific ports (CLI)

Enter the `show link-keepalive statistics` command.

Example:

Figure 12: Example: of `show link-keepalive statistics` command

```
HP Switch(config)# show link-keepalive statistics
```

Port:	1	Neighbor MAC Addr:	0000a1-b1c1d1
Current State:	up	Neighbor Port:	5
Uddl Packets Sent:	1000	State Transitions:	2
Uddl Packets Received:	1000	Link-vlan:	1
Port Blocking:	no		
Port:	2	Neighbor MAC Addr:	000102-030405
Current State:	up	Neighbor Port:	6
Uddl Packets Sent:	500	State Transitions:	3
Uddl Packets Received:	450	Link-vlan:	200
Port Blocking:	no		
Port:	3	Neighbor MAC Addr:	n/a
Current State:	off line	Neighbor Port:	n/a
Uddl Packets Sent:	0	State Transitions:	0
Uddl Packets Received:	0	Link-vlan:	1
Port Blocking:	no		
Port:	4	Neighbor MAC Addr:	n/a
Current State:	failure	Neighbor Port:	n/a
Uddl Packets Sent:	128	State Transitions:	8
Uddl Packets Received:	50	Link-vlan:	1
Port Blocking:	yes		

Ports 1 and 2 are UDLD-enabled and show the number of health check packets sent and received on each port.

Port 4 is shown as blocked due to a link-keepalive failure

Clearing UDLD statistics (CLI)

Enter the following command:

```
switch# clear link-keepalive statistics
```

This command clears the packets sent, packets received, and transitions counters in the `show link keepalive statistics` display (see **Figure 12: Example: of show link-keepalive statistics command** on page 101 for an Example:).

Uplink failure detection

Uplink Failure Detection (UFD) is a network path redundancy feature that works in conjunction with NIC teaming functionality. UFD continuously monitors the link state of the ports configured as links-to-monitor (LtM), and when these ports lose link with their partners, UFD will disable the set of ports configured as links-to-disable (LtD.) When an uplink port goes down, UFD enables the switch to auto-disable the specific downlinks connected to the NICs. This allows the NIC teaming software to detect link failure on the primary NIC port and fail over to the secondary NIC in the team.

NIC teams must be configured for switch redundancy when used with UFD, that is, the team spans ports on both Switch A and Switch B. The switch automatically enables the downlink ports when the uplink returns to service. For an example of teamed NICs in conjunction with UFD, see **Figure 13: Teamed NICs in conjunction with UFD** on page 102.) For an example of teamed NICs with a failed uplink, see **Figure 14: Teamed NICs with a failed uplink** on page 102.



For UFD functionality to work as expected, the NIC teaming must be in Network Fault Tolerance (NFT) mode.

Figure 13: Teamed NICs in conjunction with UFD

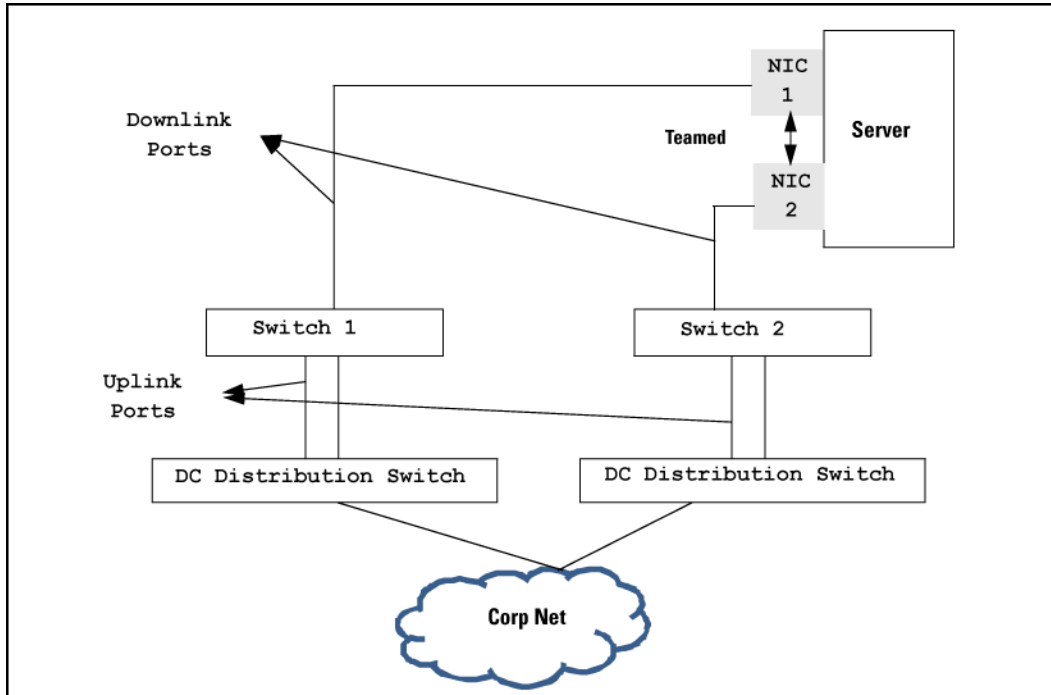
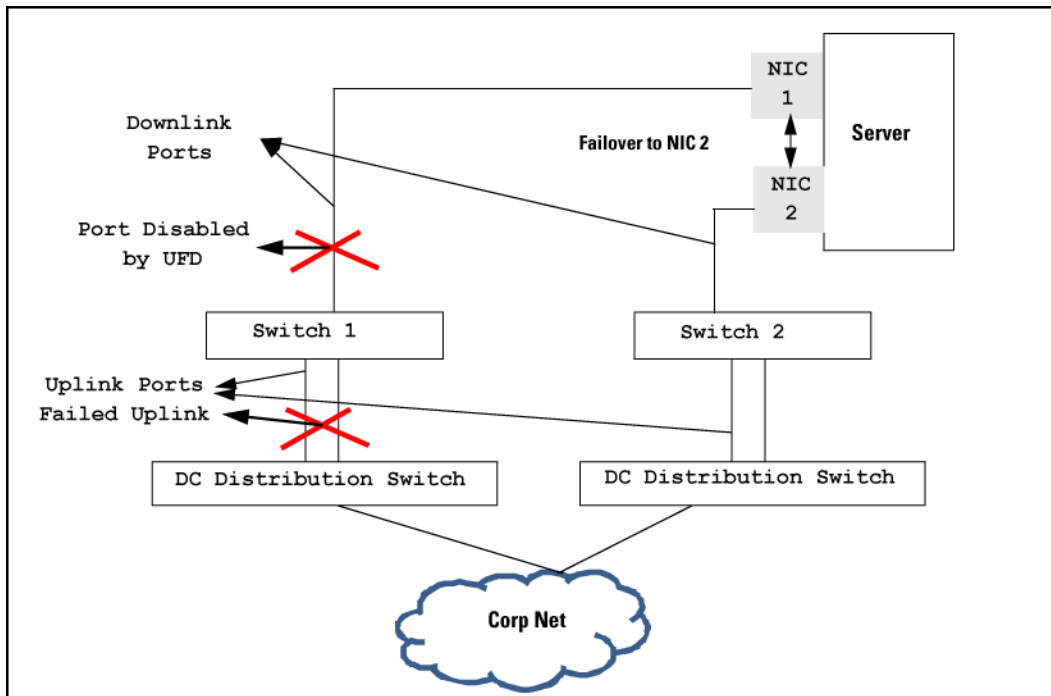


Figure 14: Teamed NICs with a failed uplink



Configuration guidelines for UFD

Below is a list of configuration guidelines to be followed for UFD. These are applicable only to blade switches where there is a clear distinction between downlink and uplink ports.

1. UFD is required only when uplink-path redundancy is not available on the blade switches.
2. An LtM can be either one or more uplink ports or one or more multi-link trunk group of uplink ports.
3. Ports that are already members of a trunk group are not allowed to be assigned to an LtM or LtD.
4. A trunk group configured as an LtM can contain multiple uplink ports, but no downlink ports or ISL (Inter-Switch-Link) ports.
5. A port cannot be added to a trunk group if it already belongs to an LtM or LtD.
6. An LtD can contain one or more ports, and/or one or more trunks
7. A trunk group configured as an LtD can contain multiple downlink ports, but no uplink ports or ISL (Inter-Switch-Link) ports.

A common API will be provided for higher layers, like CLI and SNMP, which will determine if a port-list can be an LtM or LtD. The API will handle the platform specific details and ensure a uniform code flow for blade and other switch families.



ProCurve and TOR switches do not have a clear distinction between uplink and downlink ports so some of the points listed above may not be applicable.

UFD enable/disable

Syntax:

```
uplink-failure-detection
```

Used to globally enable UFD. The `[no]` option globally disables UFD.

UFD track data configuration

Syntax:

```
uplink-failure-detection-track <track-id> links-to-monitor <port-list> links-to-disable <port-list>
```

Used to configure ports given as LtM and ports given as LtD for track-id. This command will also accept trunk interfaces.

Options

```
[no] ufd track-id <track-id>
```

From within track-id context:

```
[no] links-to-monitor <port-list>
```

```
[no] links-to-disable <port-list>
```

uplink-failure-detection-track

```
switch(config)# uplink-failure-detection-track 10 links-to-monitor 18,19,20 links-to-disable 1,2,3
```

The above command is used to configure ports 18,19,20 as LtM and ports 1,2,3 as LtD for track-id 10.

```
switch(config)# no uplink-failure-detection-track 10
```

This command will remove any track data associated with track-id 10.

```
switch(config)# no uplink-failure-detection-track 10 links-to-monitor 18 links-to-disable 1
```

This command will remove port 18 as LtM and port 1 as LtD from track-id 10. This command can be issued from track-id context as well.

UFD minimum uplink threshold configuration

Syntax:

```
uplink-failure-detection-track <track-id> minimum-uplink-threshold <threshold value>
```

Configures the minimum uplink threshold value to a number which is the same as the number of LtM ports that must fail to trigger the disabling of LtD ports. This number of LtM ports must be up to enable the LtD ports if in disable state.

failure-count

Specify the number of monitored links that must fail before disabling links-to-disable ports.

all

Set the failure-count equal to the number of links-to-monitor ports configured. Default is `all`.

<NUMBER>

The number of ports to be set as links-to-monitor ports failure count.

Options

Inside a track-id context:

```
monitor-threshold threshold value | all
```

show uplink-failure-detection

Syntax:

```
show uplink-failure-detection
```

```
switch(config)# show uplink-failure-detection
```

```
Uplink Failure Detection Information
UFD Enabled      : Yes
Track ID | Monitored Links | Links to Disable | LtM State | LtD State | LtM LACP Key | LtD LACP Key
-----+-----+-----+-----+-----+-----+-----
1 | Dyn1 | Dyn2 | Up | Up | 100 | 200
2 | | | Down | Auto-Disabled | 300 | 400
3 | 1 | D3 | Up | Up | | |
```


10	2,3	D4,D5	Down	Auto-Disabled
11	Trk1	D6	Up	Up

UFD operating notes

- A port cannot be added to a trunk group if it already belongs to an LtM or LtD.
- Ports that are already members of a trunk group cannot be assigned to an LtM or LtD.
- Trunks that are configured as LtM or LtD cannot be deleted.

Configuring ports as LtM and LtD for track 3

```
(HP_Switch_name#) uplink-failure-detection track 3 links-to-monitor 5,6,7
links-to-disable 8,9,10
```

Removing a LtM port and an LtD port for track 3

```
(HP_Switch_name#) no uplink-failure-detection track 3 links-to-monitor 5
links-to-disable 8
```

Error log

UFD will log messages in the following scenarios

- Admin status change.
- When an LtM loses link to its partner and as a result number of LtM ports down becomes equal or greater than the LtM failure count, UFD will disable the LtD.
- When an LtM returns to service and as a result the number of LtM ports down becomes lesser than the LtM failure count, UFD auto-enables the LtD.

Invalid port error messages

- When a user specifies an invalid LtM port, a message similar to the following is displayed. Invalid port(s) specified as links-to-monitor.
- When a user specifies an invalid LtD port, a message similar to the following is displayed. Invalid port(s) specified as links-to-disable.
- When user specifies an invalid threshold value an error message similar to the following is displayed. Invalid threshold value.
- When user tries to configure threshold value greater than number of LtM ports configured an error message similar to the following is displayed. Invalid port(s) specified as links-to-disable.
- When a user specifies an invalid LtD port an error message similar to the following is displayed. Invalid port(s) specified as links-to-disable.

Basic USB port commands



The USB port is available only on the 2930M Switch Series.

usb-port

Syntax

```
usb-port
```

```
no usb-port
```

Description

Enables the USB port.

The `no` form of the command disables the USB port and any access to the device.

Command context

```
Config
```

show usb-port

Syntax

```
show usb-port
```

Description

Displays the status of the USB port. It can be enabled, disabled, or not present.

Command context

```
operator
```

Usage

One of the following messages indicates the presence or absence of a USB device:

- Not able to sense device in USB port
- USB device detected in port
- no USB device detected in port

Example

Display USB port status.

```
switch# show usb-port  
USB port status: enabled  
USB port power status: power on      (USB device detected in port)
```

Introduction to PoE

PoE technology allows IP telephones, wireless LAN access points, and other appliances to receive power and transfer data over existing ethernet LAN cabling. For more information about PoE technology, see the PoE/PoE+ planning and implementation guide, which is available on the HPE Networking website at <http://www.hpe.com/networking>. Enter your Switch number.

Additionally, PoE+ provides more power-management capability, allowing the switch to have more power available for more PDs. Power can be allocated exactly and automatically according to what the PD actually requires at a given time.

PoE terminology

PoE and PoE+ operate similarly in most cases. Any differences between PoE and PoE+ operation are noted; otherwise, the term "PoE" is used to designate both PoE and PoE+ functionality.

Planning and implementing a PoE configuration

This section provides an overview of some considerations for planning a PoE application. For additional information on this topic, refer to the HPE PoE/PoE+ planning and implementation guide which is available on the HPE Networking web site at <http://www.hpe.com/networking>.

Some of the elements you may want to consider for a PoE installation include:

- Port assignments to VLANs
- Use of security features
- Power requirements

This section can help you to plan your PoE installation. If you use multiple VLANs in your network, or if you have concerns about network security, you should read the first two topics. If your PoE installation comes close to (or is likely to exceed) the system's ability to supply power to all devices that may request it, then you should also read the third topic. (If it is unlikely that your installation will even approach a full utilization of the PoE power available, then you may find it unnecessary to spend much time on calculating PoE power scenarios.)

Power requirements

To get the best PoE performance, you should provide enough PoE power to exceed the maximum amount of power that is needed by all the PDs that are being used.

By connecting an external power supply you can optionally provision more PoE wattage per port and or supply the switch with redundant 12V power to operate should an internal power supply fail.

See the HPE PoE/PoE+ planning and implementation guide for detailed information about the PoE/PoE+ power requirements for your switch.

Assigning PoE ports to VLANs

If your network includes VLANs, you may want to assign various PoE-configured ports to specific VLANs. For example, if you are using PoE telephones in your network, you may want to assign ports used for telephone access to a VLAN reserved for telephone traffic.

Applying security features to PoE configurations

You can use the port security features built into the switch to control device or user access to the network through PoE ports in the same way as non-PoE ports. Using Port Security, you can configure each switch port with a unique list of MAC addresses for devices that are authorized to access the network through that port. For more information, refer to the titled “Configuring and Monitoring Port Security” in the access security guide for your switch.

Assigning priority policies to PoE traffic

You can use the configurable QoS (Quality of Service) features in the switch to create prioritization policies for traffic moving through PoE ports. The table below lists the available classifiers and their order of precedence.

Table 6: *Classifiers for prioritizing outbound packets*

Priority	QoS classifier
1	UDP/TCP application type (port)
2	Device priority (destination or source IP address)
3	IP type of service (ToS) field (IP packets only)
4	VLAN priority
5	Incoming source-port on the switch
6	Incoming 802.1 priority (present in tagged VLAN environments)

For more on this topic, refer to the titled “Quality of Service: Managing Bandwidth More Effectively” in the advanced traffic management guide for your switch.

PoE operation

Using the commands described in this chapter, you can:

- Enable or disable PoE operation on individual ports.
- Monitor PoE status and performance.
- Configure a non-default power threshold for SNMP and Event Log reporting of PoE consumption on either all PoE ports on the switch or on all PoE ports.
- Specify the port priority you want to use for provisioning PoE power in the event that the PoE resources become oversubscribed.

A PSE detects the power needed by a connected PD before supplying that power via a phase referred to as "searching". If the PSE cannot supply the required amount of power, it does not supply any power. For PoE using a Type 1 device, a PSE will not supply any power to a PD unless the PSE has at least 17 watts available. For

example, if a PSE has a maximum available power of 382 watts and is already supplying 378 watts, and is then connected to a PD requiring 10 watts, the PSE will not supply power to the PD.

For PoE+ using Type 2 devices, the PSE must have at least 33 watts available.

Configuration options

In the default configuration, all ports in a switch covered in this guide are configured to support PoE operation. You can:

- Disable or re-enable per-port PoE operation on individual ports to help control power usage and avoid oversubscribing PoE resources.
- Configure per-port priority for allocating power in case a PoE device becomes oversubscribed and must drop power for some lower-priority ports to support the demand on other, higher-priority ports.
- Manually allocate the amount of PoE power for a port by usage, value, or class.
- Allocate PoE power based on the link-partner's capabilities via LLDP.



The ports support standard networking links and PoE links. You can connect either a non-PoE device or a PD to a port enabled for PoE without reconfiguring the port.

PD support

To best utilize the allocated PoE power, spread your connected PoE devices as evenly as possible. Depending on the amount of power the power supply device delivers to a PoE switch, there may or may not always be enough power available to connect and support PoE operation on all the ports. When a new PD connects to a PoE switch and the switch does not have enough power left for that port:

- If the new PD connects to a port “X” having a **higher** PoE priority than another port “Y” that is already supporting another PD, then the power is removed from port “Y” and delivered to port “X”. In this case the PD on port “Y” loses power and the PD on port “X” receives power.
- If the new PD connects to a port “X” having a **lower** priority than all other PoE ports currently providing power to PDs, then power is not supplied to port “X” until one or more PDs using higher priority ports are removed.

In the default configuration (`usage`), when a PD connects to a PoE port and begins operating, the port retains only enough PoE power to support the PD's operation. Unused power becomes available for supporting other PD connections. However, if you configure the `poe-allocate-by` option to either `value` or `class`, all of the power configured is allocated to the port.

For PoE (not PoE+), while 17 watts must be available for a PoE module on the switch to begin supplying power to a port with a PD connected, 17 watts per port is not continually required if the connected PD requires less power. For example, with 20 watts of PoE power remaining available on a module, you can connect one new PD without losing power to any connected PDs on that module. If that PD draws only 3 watts, 17 watts remain available, and you can connect at least one more PD to that module without interrupting power to any other PoE devices connected to the same module. If the next PD you connect draws 5 watts, only 12 watts remain unused. With only 12 unused watts available, if you then connect yet another PD to a higher-priority PoE port, the lowest-priority port on the module loses PoE power and remains unpowered until the module once again has 17 or more watts available. (For information on power priority, see [Power priority operation](#) on page 110.)

For PoE+, there must be 33 watts available for the module to begin supplying power to a port with a PD connected.

Disconnecting a PD from a PoE port makes that power available to any other PoE ports with PDs waiting for power. If the PD demand for power becomes greater than the PoE power available, power is transferred from the lower-priority ports to the higher-priority ports. (Ports not currently providing power to PDs are not affected.)

Power priority operation

When is power allocation prioritized?

If a PSE can provide power for all connected PD demand, it does not use its power priority settings to allocate power. However, if the PD power demand oversubscribes the available power, then the power allocation is prioritized to the ports that present a PD power demand. This causes the loss of power from one or more lower-priority ports to meet the power demand on other, higher-priority ports. This operation occurs regardless of the order in which PDs connect to the switch's PoE-enabled ports.

How is power allocation prioritized?

There are two ways that PoE power is prioritized:

- Using a **priority class** method, a power priority of **Low** (the default), **High**, or **Critical** is assigned to each enabled PoE port.
- Using a **port-number priority** method, a lower-numbered port has priority over a higher-numbered port within the same configured priority class. For example, port A1 has priority over port A5 if both are configured with **High** priority.

Configuring PoE operation

In the default configuration, PoE support is enabled on the ports in a PoE switch. The default priority for all ports is **Low** and the default power notification threshold is **80** (%).

Using the CLI, you can:

- Disable or re-enable PoE operation on individual PoE ports
- Enable support for pre-standard devices
- Change the PoE priority level on individual PoE ports
- Change the threshold for generating a power level notice
- Manually allocate the amount of PoE power for a port by usage, value, or class
- Allocate PoE power based on the link-partner's capabilities via LLDP

Disabling or re-enabling PoE port operation

Syntax:

```
[no] interface <port-list> power-over-ethernet
```

Re-enables PoE operation on <port-list> and restores the priority setting in effect when PoE was disabled on <port-list>.

The `no` form of the command disables PoE operation on <port-list>.

Default: All PoE ports are initially enabled for PoE operation at **Low** priority. If you configure a higher priority, this priority is retained until you change it.

Enabling support for pre-standard devices

The HPE switches covered in this guide also support some pre-802.3af devices. For a list of the supported devices, see the FAQ for your switch model.

Syntax:

```
[no] power-over-ethernet pre-std-detect
```

Detects and powers pre-802.3af standard devices.



The default setting for the `pre-std-detect` PoE parameter changed. In earlier software the default setting is “on”. The default setting is “off”.

Configuring the PoE port priority

Syntax:

```
interface <port-list> power-over-ethernet [critical | high | low]
```

Reconfigures the PoE priority level on `<port-list>`. For a given level, ports are prioritized by port number in ascending order. For example, if ports A1-A24 have a priority level of critical, port A1 has priority over ports A2-A24.

If there is not enough power available to provision all active PoE ports at a given priority level, the lowest-numbered port at that level is provisioned first. PoE priorities are invoked only when all active PoE ports cannot be provisioned (supplied with PoE power)

Critical	Specifies the highest-priority PoE support for <code><port-list></code> . The active PoE ports at this level are provisioned before the PoE ports at any other level are provisioned.
High	Specifies the second priority PoE support for <code><port-list></code> . The active PoE ports at this level are provisioned before the <code>Low</code> priority PoE ports are provisioned.
Low	(Default) Specifies the third priority PoE support for <code><port-list></code> . The active PoE ports at this level are provisioned only if there is power available after provisioning any active PoE ports at the higher priority levels.

Controlling PoE allocation

The default option for PoE allocation is `usage`, which is what a PD attached to the port is allocated. You can override this value by specifying the amount of power allocated to a port by using the `class` or `value` options.

Syntax:

```
[no] int <port-list> poe-allocate-by [usage | class | value]
```

Allows you to manually allocate the amount of PoE power for a port by either its class or a defined value.

<code>usage</code>	The automatic allocation by a PD
<code>class</code>	Uses the power ramp-up signature of the PD to identify which power class the device will be in. Classes and their ranges are shown in the table below.
<code>value</code>	A user-defined level of PoE power allocated for that port.



The allowable PD requirements are lower than those specified for PSEs to allow for power losses along the Cat-5 cable.

Table 7: Power classes and their values

Power class	Value
0	Depends on cable type and PoE architecture. Maximum power level output of 15.4 watts at the PSE. This is the default class; if there is not enough information about the load for a specific classification, the PSE classifies the load as class 0 (zero).
1	Requires at least 4 watts at the PSE.
2	Requires at least 7 watts at the PSE.
3	15.4 watts
4	For PoE+Maximum power level output of 30 watts at the PSE.

Example:

To allocate by class for ports 6 to 8:

```
switch(config)# int 6-8 PoE-allocate-by class
```

Manually configuring PoE power levels

You can specify a power level (in watts) allocated for a port by using the `value` option. This is the maximum amount of power that will be delivered.

To configure a port by value:

Procedure

1. Set the PoE allocation by entering the `poe-allocate-by value` command:

```
switch(config) # int A6 poe-allocate-by value
```

or in interface context:

```
switch(eth-A6) # poe-allocate-by value
```

2. Select a value:

```
switch(config) # int A6 poe-value 15
```

or in interface context:

```
switch(eth-A6) # poe-value 15
```


To view the settings, enter the `show power-over-ethernet` command, shown in **Figure 15: PoE allocation by value and the maximum power delivered** on page 113.

Figure 15: PoE allocation by value and the maximum power delivered

```
switch(config)# show power-over-ethernet A6

Status and Counters - Port Power Status for port A6

Power Enable      : Yes
Priority           : low
AllocateBy        : value
Detection Status  : Delivering

LLDP Detect       : enabled
Configured Type   :
Value             : 15 W 1
Power Class       : 2

Over Current Cnt  : 0
Power Denied Cnt  : 0

MPS Absent Cnt   : 0
Short Cnt         : 0

Voltage           : 55.1 V
Current           : 154 mA
Power             : 8.4 W
```

¹Maximum power delivered.

If you set the PoE maximum value to less than what the PD requires, a fault occurs, as shown in **Figure 16: PoE power value set too low for the PD** on page 113.

Figure 16: PoE power value set too low for the PD

```
switch(config)# int A7 poe-value 4

switch(config)# show power-over-ethernet A7

Status and Counters - Port Power Status for port A7

Power Enable      : Yes
Priority           : low
AllocateBy        : value
Detection Status  : fault 1

LLDP Detect       : enabled
Configured Type   :
Value             : 4 W
Power Class       : 2

Over Current Cnt  : 1
Power Denied Cnt  : 2

MPS Absent Cnt   : 0
Short Cnt         : 0

Voltage           : 55.1 V
Current           : 154 mA
Power             : 8.4 W
```

¹'Fault' appears when the PoE power value is set too low.

Configuring PoE redundancy

When PoE redundancy is enabled, PoE redundancy occurs automatically. The switch keeps track of power use and will not supply PoE power to additional PoE devices trying to connect if that results in the switch not having enough power in reserve for redundancy if one of the power supplies should fail.

Syntax:

```
[no] power-over-ethernet redundancy [n+1 | full]
```

Allows you to set the amount of power held in reserve for redundancy.

no	Means that all available power can be allocated to PDs. Default: No PoE redundancy enforced.
n+1	One of the power supplies is held in reserve for redundancy. If a single power supply fails, no powered devices are shut down. If power supplies with different ratings are used, the highest-rated power supply is held in reserve to ensure full redundancy.
full	Half of the available power supply is held in reserve for redundancy. If power supplies with different ratings are used, the highest-rated power supply is held in reserve to ensure full redundancy.

For more information about PoE redundancy and power supplies, see the PoE/PoE+ planning and implementation guide, available on the HPE website at <http://www.hpe.com/networking>. Auto search the model number for your switch, For example, “Aruba switch 2930”, then select the device from the list, and click on **Product manuals**. Click on the “Setup and install — general” link under **Manuals**.

Changing the threshold for generating a power notice

You can configure one of the following thresholds:

- A global power threshold that applies to all ports on the switch. This setting acts as a trigger for sending a notice when the PoE power consumption on any PoE port installed in the switch crosses the configured global threshold level. (Crossing the threshold level in either direction—PoE power usage either increasing or decreasing— triggers the notice.) The default setting is 80%.
- A per-slot power threshold that applies to an individual PoE module installed in the designated slot. This setting acts as a trigger for sending a notice when the module in the specified slot exceeds or goes below a specific level of PoE power consumption.



Some switches covered by this manual provide a single fixed slot.

Syntax:

```
power-over-ethernet [slot < slot-id-range >] threshold <1-99>
```

This command specifies the PoE usage level (as a percentage of the PoE power available on a module) at which the switch generates a power usage notice. This notice appears as an SNMP trap and a corresponding Event Log message and occurs when a PoE module's power consumption crosses the configured threshold value. That is, the switch generates a notice whenever the power consumption on a module either exceeds or drops below the specified percentage of the total PoE power available on the module.

This command configures the notification threshold for PoE power usage on either a global or per-module (slot) basis.

Without the [slot PoE <slot-id-range>] option, the switch applies one power threshold setting on all PoE modules installed in the switch.

Example:

Suppose slots A, B, and C each have a PoE module installed. In this case, executing the following command sets the global notification threshold to 70% of available PoE power:

```
switch(config)# power-over-ethernet threshold 70
```

With this setting, if module B is allocated 100 watts of PoE power and is using 68 watts, and then another PD is connected to the module in slot B that uses 8 watts, the 70% threshold of 70 watts is exceeded. The switch sends an SNMP trap and generates this Event Log message:

```
Slot B POE usage has exceeded threshold of 70%.
```

If the switch is configured for debug logging, it also sends the Event Log message to the configured debug destination(s).

On any PoE module, if an increasing PoE power load (1) exceeds the configured power threshold (which triggers the log message and SNMP trap), and then (2) later decreases and drops below the threshold again, the switch generates another SNMP trap, plus a message to the Event Log and any configured Debug destinations.

To continue the preceding Example:, if the PoE power usage on the PoE module in slot B drops below 70%, another SNMP trap is generated and you will see this message in the Event Log:

```
Slot B POE usage is below threshold of 70%.
```

For a message listing, please see the event log message reference guide for your switch. Go to <http://www.hpe.com/networking>; auto search the model number for your switch, for Example: “Aruba Switch 2920”, then select the device from the list and click on **Product manuals**. Click on the “User guide” link under **Manuals**.

(Default Global PoE Power Threshold: **80**). By using the `[slot <slot-id-range>]` option, you can specify different notification thresholds for different PoE modules installed in the switch. For example, you could set the power threshold for a PoE module in slot “A” to 75% and the threshold for the module in slot “B” to 68% by executing the following two commands:

```
switch(config)# power-over-ethernet slot a threshold 75
```

```
switch(config)# power-over-ethernet slot b threshold 68
```



The last `threshold` command affecting a given slot supersedes the previous `threshold` command affecting the same slot. Thus, executing the following two commands in the order shown sets the threshold for the PoE module in slot “D” to 75%, but leaves the thresholds for any PoE modules in the other slots at 90%.

```
switch(config)# power-over-ethernet threshold 90
```

```
switch(config)# power-over-ethernet slot d threshold 75
```

If you reverse the order of the above two commands, all PoE modules in the switch will have a threshold of 90%.

PoE/PoE+ allocation using LLDP information

LLDP with PoE

When using PoE, enabling `poe-lldp-detect` allows automatic power configuration if the link partner supports PoE. When LLDP is enabled, the information about the power usage of the PD is available, and the switch can then comply with or ignore this information. You can configure PoE on each port according to the PD (IP phone, wireless device, and so on) specified in the LLDP field. The default configuration is for PoE information to be ignored if detected through LLDP.



Detecting PoE information via LLDP affects only power delivery; it does not affect normal Ethernet connectivity.

Enabling or disabling ports for allocating power using LLDP

Syntax:

```
int <port-list> poe-lldp-detect [enabled | disabled]
```

Enables or disables ports for allocating PoE power based on the link-partner's capabilities via LLDP.

Default: Disabled

Example:

You can enter this command to enable LLDP detection:

```
switch(config) # int A7 poe-lldp-detect enabled
```

or in interface context:

```
switch(eth-A7) # poe-lldp-detect enabled
```

Enabling PoE detection via LLDP TLV advertisement

Use this command and insert the desired port or ports:

```
switch(config) # lldp config <port-number> medTlvenable poe
```

LLDP with PoE+

Overview

The data link layer classification DLC for PoE provides more exact control over the power requirement between a PSE and PD. The DLC works in conjunction with the physical layer classification PLC and is mandatory for any Type-2 PD that requires more than 12.95 watts of input power.



DLC is defined as part of the IEEE 802.3at standard.

The power negotiation between a PSE and a PD can be implemented at the physical layer or at the data link layer. After the link is powered at the physical layer, the PSE can use LLDP to repeatedly query the PD to discover the power needs of the PD. Communication over the data link layer allows finer control of power allotment, which makes it possible for the PSE to supply dynamically the power levels needed by the PD. Using LLDP is optional for the PSE but mandatory for a Type 2 PD that requires more than 12.95 watts of power.

If the power needed by the PD is not available, that port is shut off.

PoE allocation

LLDP can negotiate power with a PD by using LLDP MED TLVs (disabled by default). This can be enabled using the `int <port-list> PoE-lldp-detect [enabled|disabled]` command, as shown below. LLDP MED TLVs sent by the PD are used to negotiate power only if the LLDP PoE+ TLV is disabled or inactive; if the LLDP PoE+ TLV is sent as well (not likely), the LLDP MED TLV is ignored.

Enabling `PoE-lldp-detect` allows the data link layer to be used for power negotiation. When a PD requests power on a PoE port, LLDP interacts with PoE to see if there is enough power to fulfill the request. Power is set at the level requested. If the PD goes into power-saving mode, the power supplied is reduced; if the need for power increases, the amount supplied is increased. PoE and LLDP interact to meet the current power demands.

Syntax:

```
int <port-list> poe-lldp-detect [enabled | disabled]
```

Allows the data link layer to be used for power negotiation between a PD on a PoE port and LLDP.

Default: Disabled

Example:

You can enter this command to enable LLDP detection:

```
switch(config) # int 7 PoE-lldp-detect enabled
```

or in interface context:

```
switch(eth-7) # PoE-lldp-detect enabled
```



Detecting PoE information via LLDP affects only power delivery; it does not affect normal Ethernet connectivity.

You can view the settings by entering the `show power-over-ethernet brief` command, as shown in **Port with LLDP configuration information obtained from the device** on page 117.

Port with LLDP configuration information obtained from the device

```
switch(config)# show power-over-ethernet brief
```

```
Status and Counters - Port Power Status
```

```
System Power Status : No redundancy  
PoE Power Status    : No redundancy
```

```
Available: 300 W Used: 0 W Remaining: 300 W
```

```
Module A Power
```

```
Available: 300 W Used: 5 W Remaining: 295 W
```

POE Port	Power Enable	Power Priority	Alloc By	Alloc Power	Actual Power	Configured Type	Detection Status	Power Class
A1	Yes	low	usage	17 W	0.0 W	Phone1	Delivering	1
A2	Yes	low	usage	17 W	0.0 W		Searching	0
A3	Yes	low	usage	17 W	0.0 W		Searching	0
A4	Yes	low	usage	17 W	0.0 W		Searching	0
A5	Yes	low	usage	17 W	0.0 W		Searching	0
A6	Yes	low	usage	17 W	0.0 W		Searching	0

Viewing PoE when using LLDP information

Viewing LLDP port configuration

To view information about LLDP port configuration, use the `show lldp config` command.

Syntax:

```
show lldp config <port-list>
```

Displays the LLDP port configuration information, including the TLVs advertised.

LLDP port configuration information with PoE

```
switch(config)# show lldp config 4
```

```
LLCP Port Configuration Detail
```

```
Port : 4
AdminStatus [Tx_Rx] : Tx_Rx
NotificationsEnabled [False] : False
Med Topology Trap Enabled [False] : False
```

TLVS Advertised:

```
* port_descr
* system_name
* system_descr
* system_cap

* capabilities
* network_policy
* location_id
* poe

* macphy_config
* poeplus_config
```

IpAddress Advertised:

Local power information on page 118 shows an Example: of the local device power information using the `show lldp info local-device <port-list>` command.

Local power information

```
switch(config)# show lldp info local-device A1
```

LLCP Local Port Information Detail

```
Port      : A1
PortType  : local
PortId    : 1
PortDesc  : A1
Pvid      : 1
```

Poe Plus Information Detail

```
Poe Device Type      : Type2 PSE
Power Source         : Primary
Power Priority        : low
PD Requested Power Value : 20 Watts
PSE Actual Power Value : 20 Watts
```

Remote power information on page 118 shows the remote device power information using the `show lldp info remote-device <port-list>` command.

Remote power information

```
switch(config)# show lldp info remote-device A3
```

LLCP Remote Device Information Detail

```
Local Port      : A3
ChassisType     : mac-address
ChassisId       : 00 16 35 ff 2d 40
PortType        : local
PortId          : 23
SysName         : HPSwitch
System Descr    : HP Switch 3500-24, revision W.14.xx
```

```
PortDescr      : 23
Pvid           : 55
```

```
System Capabilities Supported : bridge, router
System Capabilities Enabled   : bridge
```

```
Remote Management Address
Type      : ipv4
Address   : 10.0.102.198
```

Poe Plus Information Detail

```
Poe Device Type      : Type2 PD
Power Source         : Only PSE
Power Priority        : low
PD Requested Power Value : 20 Watts
PSE Actual Power Value : 20 Watts
```

Operating note

The advertisement of power with TLVs for LLDP PoE+ is enabled by default. If LLDP is disabled at runtime and a PD is using PoE+ power that has been negotiated through LLDP, there will be a temporary power drop. The port will begin using PoE+ power through the PLC. This event is recorded in the event log. An Example: message would look like the following:

```
W 08/04/13 13:35:50 02768 ports: Port A1 PoE power dropped.
Exceeded physical classification for a PoE Type1 device
(LLDP process disabled)
```

When LLDP is enabled again, it causes a temporary power drop. This event is also recorded in the event log. An Example: message looks like the following:

```
W 08/04/13 13:36:31 02771 ports: Port A1 PoE power dropped.
Exceeded physical classification due to change in
classification type (LLDP process enabled)
```

Viewing the global PoE power status of the switch

Syntax:

```
show power-over-ethernet [brief | [[ethernet] <port-list>] | [slot <slot-id-range> | all]]
```

Displays the switch's global PoE power status, including:

- **Total Available Power**

Lists the maximum PoE wattage available to provision active PoE ports on the switch. This is the amount of usable power for PDs.

- **Total Failover Power**

Lists the amount of PoE power available in the event of a single power supply failure. This is the amount of power the switch can maintain without dropping any PDs.

- **Total Redundancy Power**

Indicates the amount of PoE power held in reserve for redundancy in case of a power supply failure.

- **Total Remaining Power**

The amount of PoE power still available.

brief	Displays PoE information for each port. See Viewing PoE status on all ports on page 120.
<port-list>	Displays PoE information for the ports in port-list. See Viewing the PoE status on specific ports on page 122.
<slot-id-range>	Displays PoE information for the selected slots. See Showing the PoE information by slot . Enter the all option to display the PoE information for all slots.

The `show power-over-ethernet` displays data similar to that shown in [show power-over-ethernet command output](#) on page 120.

show power-over-ethernet command output

```
switch(config)# show power-over-ethernet

Status and Counters - System Power Status

Pre-standard Detect      : On
System Power Status     : No redundancy
PoE Power Status        : No redundancy

Chassis power-over-ethernet

Total Available Power   : 600 W
Total Failover Power    : 300 W
Total Redundancy Power  : 0 W
Total Used Power        : 9 W +/- 6W
Total Remaining Power   : 591 W

Internal Power
 1 300W/POE /Connected.
 2 300W/POE /Connected.
 3 Not Connected.
 4 Not Connected.

External Power
EPS1 /Not Connected.
EPS2 /Not Connected.
```

Viewing PoE status on all ports

Syntax:

```
show power-over-ethernet brief
```

Displays the port power status:

PoE Port	Lists all PoE-capable ports on the switch.
Power Enable	Shows Yes for ports enabled to support PoE (the default) and No for ports on which PoE is disabled.
Power Priority	Lists the power priority (Low , High , and Critical) configured on ports enabled for PoE. (For more information on this topic, see Configuring PoE operation on page 110.)

Table Continued

Alloc by	Displays how PoE is allocated (usage, class, value).
Alloc Power	The maximum amount of PoE power allocated for that port (expressed in watts).Default: 17 watts for PoE; 33 watts for PoE+.
Actual Power	The power actually being used on that port.
Configured Type	If configured, shows the user-specified identifier for the port. If not configured, this field is empty.
Detection Status	<ul style="list-style-type: none"> • Searching: The port is trying to detect a PD connection. • Delivering: The port is delivering power to a PD. • Disabled: On the indicated port, either PoE support is disabled or PoE power is enabled but the PoE module does not have enough power available to supply the port's power needs. • Fault: The switch detects a problem with the connected PD. • Other Fault: The switch has detected an internal fault that prevents it from supplying power on that port.
Power Class	Shows the 802.3af power class of the PD detected on the indicated port. Classes include: <ul style="list-style-type: none"> • 0: 0.44 to 12.95 watts can be drawn by the PD. Default class. • 1: 0.44 to 3.84 watts • 2: 3.84 to 6.49 watts • 3: 6.49 to 12.95 watts • 4: For PoE+; up to 25.5 watts can be drawn by the PD

The `show power-over-ethernet brief` displays this output:

show power-over-ethernet brief command output

```
switch(config)# show power-over-ethernet brief
```

```
Status and Counters - System Power Status
```

```
System Power Status   : No redundancy
PoE Power Status      : No redundancy
```

```
Available: 600 W Used: 9 W Remaining: 591 W
```

```
Module A Power
```

```
Available: 408 W Used: 9 W Remaining: 399 W
```

POE Port	Power Enable	Power Priority	Alloc By	Alloc Power	Actual Power	Configured Type	Detection Status	Power Class
A1	Yes	low	usage	17 W	0.0 W		Searching	0
A2	Yes	low	usage	17 W	0.0 W		Searching	0
A3	Yes	low	usage	17 W	0.0 W		Searching	0
A4	Yes	low	usage	17 W	0.0 W		Searching	0

A5	Yes	low	usage 17 W	0.0 W	Searching	0
A6	Yes	low	usage 17 W	8.4 W	Delivering	2
A7	Yes	low	usage 17 W	0.0 W	Searching	0
A8	Yes	low	usage 17 W	0.0 W	Searching	0
A9	Yes	low	usage 17 W	0.0 W	Searching	0

You can also show the PoE information by slot:

Showing the PoE information by slot

```
switch(config)# show power-over-ethernet slot A
```

```
Status and Counters - System Power Status for slot A
```

```
Maximum Power      : 408 W           Operational Status  : On
Power In Use       : 9 W +/- 6 W      Usage Threshold (%) : 80
```

Viewing the PoE status on specific ports

Syntax:

```
show power-over-ethernet <port-list>
```

Displays the following PoE status and statistics (since the last reboot) for each port in <port-list> :

Power Enable	Shows Yes for ports enabled to support PoE (the default) and No for ports on which PoE is disabled. For ports on which power is disabled, this is the only field displayed by <code>show power-over-ethernet <port-list></code> .
Priority	Lists the power priority (Low , High , and Critical) configured on ports enabled for PoE. (For more on this topic, see Configuring PoE operation on page 110.)
Allocate by	How PoE is allocated (usage , class , value).
Detection Status	<ul style="list-style-type: none"> • Searching: The port is trying to detect a PD connection. • Delivering: The port is delivering power to a PD. • Disabled: On the indicated port, either PoE support is disabled or PoE power is enabled but the PoE module does not have enough power available to supply the port's power needs. • Fault: The switch detects a problem with the connected PD. • Other Fault: The switch has detected an internal fault that prevents it from supplying power on that port.
Over Current Cnt	Shows the number of times a connected PD has attempted to draw more than 15.4 watts for PoE or 24.5 watts for PoE+. Each occurrence generates an Event Log message.
Power Denied Cnt	Shows the number of times PDs requesting power on the port have been denied because of insufficient power available. Each occurrence generates an Event Log message.
Voltage	The total voltage, in volts, being delivered to PDs.

Table Continued

Power	The total power, in watts, being delivered to PDs.
LLDP Detect	Port is enabled or disabled for allocating PoE power, based on the link-partner's capabilities via LLDP.
Configured Type	If configured, shows the user-specified identifier for the port. If not configured, the field is empty.
Value	The maximum amount of PoE power allocated for that port (expressed in watts). Default: 17 watts for PoE; 33 watts for PoE+
Power Class	Shows the power class of the PD detected on the indicated port. Classes include: <ul style="list-style-type: none"> • 0: 0.44 to 12.95 watts • 1: 0.44 to 3.84 watts • 2: 3.84 to 6.49 watts • 3: 6.49 to 12.95 watts • 4: For PoE+; up to 25.5 watts can be drawn by the PD
MPS Absent Cnt	Shows the number of times a detected PD has no longer requested power from the port. Each occurrence generates an Event Log message. ("MPS" refers to the "maintenance power signature.")
Short Cnt	Shows the number of times the switch provided insufficient current to a connected PD.
Current	The total current, in mA, being delivered to PDs.

If you want to view the PoE status of ports A6 and A7, you would use `show power-over-ethernet A6-A7` to display the data:

show power-over-ethernet <port-list> output

```
switch(config)# show power-over-ethernet slot A6-A7

Status and Counters - Port Power Status for port A6

Power Enable      : Yes
Priority          : low
AllocateBy       : value
Detection Status  : Delivering
Over Current Cnt : 0
Power Denied Cnt : 0
Voltage          : 55.1 V
Power            : 8.4 W
LLDP Detect      : enabled
Configured Type  :
Value           : 17 W
Power Class      : 2
MPS Absent Cnt  : 0
Short Cnt       : 0
Current         : 154 mA

Status and Counters - Port Power Status for port A7

Power Enable      : Yes
Priority          : low
AllocateBy       : value
LLDP Detect      : disabled
Configured Type  :
Value           : 17 W
```

Detection Status	: Searching	Power Class	: 0
Over Current Cnt	:0	MPS Absent Cnt	: 0
Power Denied Cnt	:0	Short Cnt	: 0
Voltage	: 0 V	Current	: 0 mA
Power	: 0 W		

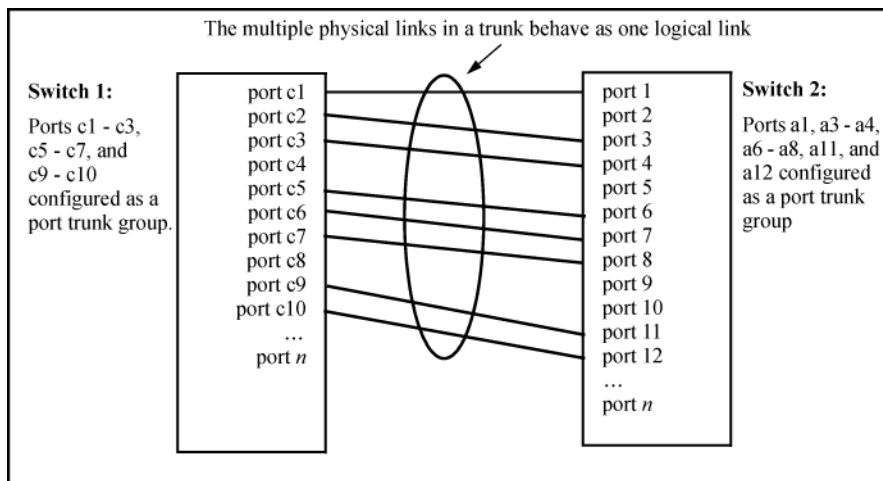
PoE Event Log messages

Please see the event log message reference guide for information about Event Log messages. To see these manuals, go to <http://www.hpe.com/networking>. Auto search the model number for your switch, for Example: "HPE Switch 2920", then select the device from the list and click on **Product manuals**. Click on the "User guide" link under **Manuals**.

Overview of port trunking

Port trunking allows you to assign up to eight physical links to one logical link (trunk) that functions as a single, higher-speed link providing dramatically increased bandwidth. This capability applies to connections between backbone devices as well as to connections in other network areas where traffic bottlenecks exist. A **trunk group** is a set of up to eight ports configured as members of the same port trunk. The ports in a trunk group do not have to be consecutive. For Example:

Figure 17: Conceptual Example: of port trunking



With full-duplex operation in a eight-port trunk group, trunking enables the following bandwidth capabilities:

Port connections and configuration

All port trunk links must be point-to-point connections between a switch and another switch, router, server, or workstation configured for port trunking. No intervening, non-trunking devices are allowed. It is important to note that ports on both ends of a port trunk group must have the same mode (speed and duplex) and flow control settings.



Link connections

The switch does not support port trunking through an intermediate, non-trunking device such as a hub, or using more than onemedia type in a port trunk group. Similarly, for proper trunk operation, all links in the same trunk group must have the samespeed, duplex, and flow control.

Port security restriction

Port security does not operate on a trunk group. If you configure port security on one or more ports that are later added to a trunk group, the switch resets the port security parameters for those ports to the factory-default configuration.



To avoid broadcast storms or loops in your network while configuring a trunk, first disable or disconnect all ports you want to add to or remove from the trunk. After you finish configuring the trunk, enable or re-connect the ports.

Port trunk features and operation

The switches covered in this guide offer these options for port trunking:

- LACP: IEEE 802.3ad—[Trunk group operation using LACP](#) on page 137
- Trunk: Non-Protocol—[Trunk group operation using the "trunk" option](#) on page 143

Up to 60 trunk groups are supported on the switches. The actual maximum depends on the number of ports available on the switch and the number of links in each trunk. (Using the link aggregation control protocol—LACP—option, you can include standby trunked ports in addition to the maximum of eight actively trunking ports.) The trunks do not have to be the same size; For example, 100 two-port trunks and 11 eight-port trunks are supported.



LACP requires full-duplex (FDx) links of the same media type (10/100Base-T, 100FX, and so on) and the same speed, and enforces speed and duplex conformance across a trunk group. For most installations, Hewlett Packard Enterprise Switch recommends that you leave the port Mode settings at `Auto` (the default). LACP also operates with `Auto-10`, `Auto-100`, and `Auto-1000` (if negotiation selects FDx), and `10FDx`, `100FDx`, and `1000FDx` settings. (The 10-gigabit ports available for some switch models allow only the `Auto` setting.)

Fault tolerance

If a link in a port trunk fails, the switch redistributes traffic originally destined for that link to the remaining links in the trunk. The trunk remains operable as long as there is at least one link in operation. If a link is restored, that link is automatically included in the traffic distribution again. The LACP option also offers a standby link capability, which enables you to keep links in reserve for service if one or more of the original active links fails. (See [Trunk group operation using LACP](#) on page 137.)

Trunk configuration methods

Dynamic LACP trunk

The switch automatically negotiates trunked links between LACP-configured ports on separate devices, and offers one dynamic trunk option: LACP. To configure the switch to initiate a dynamic LACP trunk with another device, use the `interface` command in the CLI to set the default LACP option to `active` on the ports you want to use for the trunk. For example, the following command sets ports C1 to C4 to LACP `active`:

```
switch(config) int c1-c4 lacp active
```

The preceding Example: works if the ports are not already operating in a trunk. To change the LACP option on ports already operating as a trunk, you must first remove them from the trunk. For example, if ports C1 to C4 are LACP-active and operating in a trunk with another device, you would do the following to change them to LACP-passive:

```
switch(config)# no int c1-c4 lacp
```

Removes the ports from the trunk.

```
switch(config)# int c1-c4 lacp passive
```

Configures LACP passive.

Using keys to control dynamic LACP trunk configuration

The `lacp key` option provides the ability to control dynamic trunk configuration. Ports with the same key will be aggregated as a single trunk.

There are two types of keys associated with each port, the Admin key and the Operational key. The Operational key is the key currently in use. The Admin key is used internally to modify the value of the Operational key. The Admin and Operational key are usually the same, but using static LACP can alter the Operational key during runtime, in which case the keys would differ.

The `lacp key` command configures both the Admin and Operational keys when using dynamic LACP trunks. It only configures the Admin key if the trunk is a static LACP trunk. It is executed in the interface context.

Syntax:

```
[no] lacp [active | passive | key <0-65535>]
```

Sets the LACP key. During dynamic link aggregation using LACP, ports with the same key are aggregated as a single trunk.

Enabling LACP and configuring an LACP key

```
switch(config)# int A2-A3 lacp active
switch(config)# int A2-A3 lacp key 500
```

```
switch(config)# show lacp
```

```

                                LACP
  Port  LACP   Trunk   Port      LACP   Admin   Oper
  -----  -----  -----  -----  -----  -----  -----
  A2    Active  A2      Down     No     Success 500    500
  A3    Active  A3      Down     No     Success 500    500

```

An interface configured with a different LACP key

```
switch(config)# int A5 lacp active
switch(config)# int A5 lacp key 250
```

```
switch# show lacp
```

```

                                LACP
  Port  LACP   Trunk   Port      LACP   Admin   Oper
  -----  -----  -----  -----  -----  -----  -----
  A1    Active  Dyn1    Up       Yes    Success 100    100
  A2    Active  Dyn1    Up       Yes    Success 100    100
  A3    Active  Dyn1    Up       Yes    Success 100    100
  A4    Active  Dyn1    Up       Yes    Success 100    100
  A5    Active  A5      Up       No     Success 250    250

```

Static trunk

The switch uses the links you configure with the Port/Trunk Settings screen in the menu interface or the `trunk` command in the CLI to create a static port trunk. The switch offers two types of static trunks: LACP and Trunk.

Table 8: Trunk types used in static and dynamic trunk groups

Trunking method	LACP	Trunk
Dynamic	Yes	No
Static	Yes	Yes

The following table describes the trunking options for LACP and Trunk protocols.

Table 9: Trunk configuration protocols

Protocol	Trunking Options
LACP (802.3ad)	<p>Provides dynamic and static LACP trunking options.</p> <ul style="list-style-type: none"> • Dynamic LACP — Use the switch-negotiated dynamic LACP trunk when: <ul style="list-style-type: none"> ◦ The port on the other end of the trunk link is configured for Active or Passive LACP. ◦ You want fault-tolerance for high-availability applications. If you use an eight-link trunk, you can also configure one or more additional links to operate as standby links that will activate only if another active link goes down. • Static LACP — Use the manually configured static LACP trunk when: <ul style="list-style-type: none"> ◦ The port on the other end of the trunk link is configured for a static LACP trunk. ◦ You want to configure non-default spanning tree or IGMP parameters on an LACP trunk group. ◦ You want an LACP trunk group to operate in a VLAN other than the default VLAN and GVRP is disabled. (See VLANs and dynamic LACP on page 141.) ◦ You want to use a monitor port on the switch to monitor an LACP trunk. <p>For more information, see Trunk group operation using LACP on page 137.</p>
Trunk (non-protocol)	<p>Provides manually configured, static-only trunking to:</p> <ul style="list-style-type: none"> • Most HPE Switch and routing switches not running the 802.3ad LACP protocol. • Windows NT and HP-UX workstations and servers <p>Use the Trunk option when:</p> <ul style="list-style-type: none"> • The device to which you want to create a trunk link is using a non-802.3ad trunking protocol. • You are unsure which type of trunk to use, or the device to which you want to create a trunk link is using an unknown trunking protocol. • You want to use a monitor port on the switch to monitor traffic on a trunk. <p>See Trunk group operation using the "trunk" option on page 143.</p>

Table 10: General operating rules for port trunks

<p>Media:</p>	<p>For proper trunk operation, all ports on both ends of a trunk group must have the same media type and mode (speed and duplex). (For the switches, HPE Switch recommends leaving the port Mode setting at <code>Auto</code> or, in networks using Cat 3 cabling, <code>Auto-10</code>.)</p>
<p>Port Configuration:</p>	<p>The default port configuration is <code>Auto</code>, which enables a port to sense speed and negotiate duplex with an auto-enabled port on another device. HPE recommends that you use the <code>Auto</code> setting for all ports you plan to use for trunking. Otherwise, you must manually ensure that the mode setting for each port in a trunk is compatible with the other ports in the trunk. See: Recommended port mode setting for LACP example</p> <p>All of the following operate on a per-port basis, regardless of trunk membership:</p> <ul style="list-style-type: none"> • Enable/Disable • Flow control (Flow Ctrl) <p>LACP is a full-duplex protocol. See Trunk group operation using LACP on page 137.</p>
<p>Trunk configuration:</p>	<p>All ports in the same trunk group must be the same trunk type (LACP or trunk). All LACP ports in the same trunk group must be either all static LACP or all dynamic LACP. A trunk appears as a single port labeled <code>Dyn1</code> (for an LACP dynamic trunk) or <code>Trk1</code> (for a static trunk of type LACP, Trunk) on various menu and CLI screens. For a listing of which screens show which trunk types, see How the switch lists trunk data on page 143. For spanning-tree or VLAN operation, configuration for all ports in a trunk is done at the trunk level. (You cannot separately configure individual ports within a trunk for spanning-tree or VLAN operation.)</p>
<p>Traffic distribution:</p>	<p>All of the switch trunk protocols use the SA/DA (source address/destination address) method of distributing traffic across the trunked links. See Outbound traffic distribution across trunked links on page 144.</p>

Table Continued

Spanning Tree:	<p>802.1D (STP) and 802.1w (RSTP) Spanning Tree operate as a global setting on the switch (with one instance of Spanning Tree per switch). 802.1s (MSTP) Spanning Tree operates on a per-instance basis (with multiple instances allowed per switch). For each Spanning Tree instance, you can adjust Spanning Tree parameters on a per-port basis. A static trunk of any type appears in the Spanning Tree configuration display, and you can configure Spanning Tree parameters for a static trunk in the same way that you would configure Spanning Tree parameters on a non-trunked port. (Note that the switch lists the trunk by name—such as Trk1—and does not list the individual ports in the trunk.) For example, if ports C1 and C2 are configured as a static trunk named Trk1, they are listed in the Spanning Tree display as Trk1 and do not appear as individual ports in the Spanning Tree displays. See A port trunk in a Spanning Tree listing on page 131. When Spanning Tree forwards on a trunk, all ports in the trunk will be forwarding. Conversely, when Spanning Tree blocks a trunk, all ports in the trunk are blocked.</p> <p>A dynamic LACP trunk operates only with the default Spanning Tree settings. Also, this type of trunk appears in the CLI <code>show spanning-tree</code> display, but not in the Spanning Tree Operation display of the Menu interface.</p> <p>If you remove a port from a static trunk, the port retains the same Spanning Tree settings that were configured for the trunk. In the below Example:, ports C1 and C2 are members of TRK1 and do not appear as individual ports in the port configuration part of the listing. See: A port trunk in a Spanning Tree listing example</p>
IP multicast protocol (IGMP):	<p>A static trunk of any type appears in the IGMP configuration display, and you can configure IGMP for a static trunk in the same way that you would configure IGMP on a non-trunked port. (Note that the switch lists the trunk by name—such as Trk1—and does not list the individual ports in the trunk.) Also, creating a new trunk automatically places the trunk in IGMP Auto status if IGMP is enabled for the default VLAN. A dynamic LACP trunk operates only with the default IGMP settings and does not appear in the IGMP configuration display or <code>show ip igmp</code> listing.</p>
VLANs:	<p>Creating a new trunk automatically places the trunk in the DEFAULT_VLAN, regardless of whether the ports in the trunk were in another VLAN. Similarly, removing a port from a trunk group automatically places the port in the default VLAN. You can configure a static trunk in the same way that you configure a port for membership in any VLAN.</p> <p>For a dynamic LACP trunk to operate in a VLAN other than the default VLAN (DEFAULT_VLAN), GVRP must be enabled. See Trunk group operation using LACP on page 137.</p>
Port security:	<p>Trunk groups (and their individual ports) cannot be configured for port security, and the switch excludes trunked ports from the <code>show port-security</code> listing. If you configure non-default port security settings for a port, then subsequently try to place the port in a trunk, you see the following message and the command is not executed: <code>< port-list > Command cannot operate over a logical port.</code></p>
Monitor port:	<p>A trunk cannot be a monitor port. A monitor port can monitor a static trunk but cannot monitor a dynamic LACP trunk.</p>

Recommended port mode setting for LACP

```
switch(config)# show interfaces config
```

Port Settings

Port	Type	Enabled	Mode	Flow Ctrl	MDI
1	10/100TX	Yes	Auto	Enable	Auto
2	10/100TX	Yes	Auto	Enable	MDI

A port trunk in a Spanning Tree listing

Port	Type	Cost	Priority	State	Designated Bridge
C3	100/1000T	5	12B	Forwarding	0020c1-b27ac0
C4	100/1000T	5	12B	Forwarding	0060b0-889e00
C5	100/1000T	5	12B	Disabled	
C6	100/1000T	5	12B	Disabled	
Trk1		1	64	Forwarding	0001e7-a0ec00

Viewing and configuring a static trunk group (Menu)

- ⓘ Configure port trunking **before** you connect the trunked links to another switch, routing switch, or server. Otherwise, a broadcast storm could occur. (If you need to connect the ports before configuring them for trunking, you can temporarily disable the ports until the trunk is configured. See "Enabling or Disabling Ports and Configuring Port Mode".)

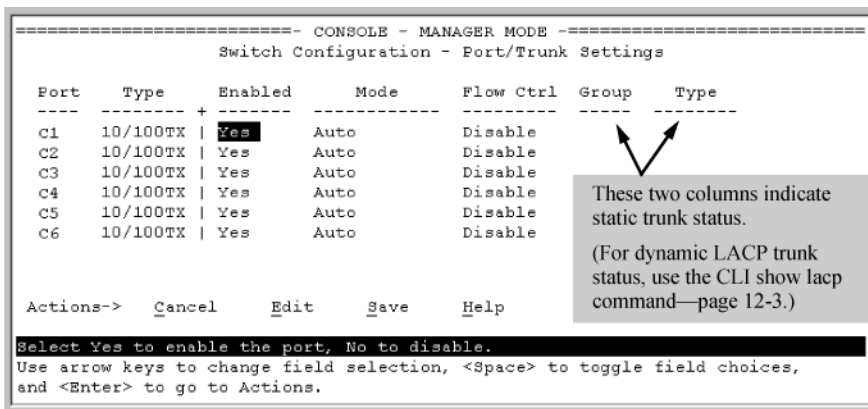
This procedure uses the Port/Trunk Settings screen to configure a static port trunk group on the switch.

Procedure

1. Follow the procedures in the preceding IMPORTANT note.
2. From the Main Menu, select:
 2. **Switch Configuration...**
 2. **Port/Trunk Settings**

3. Press [E] (for Edit) and then use the arrow keys to access the port trunk parameters.

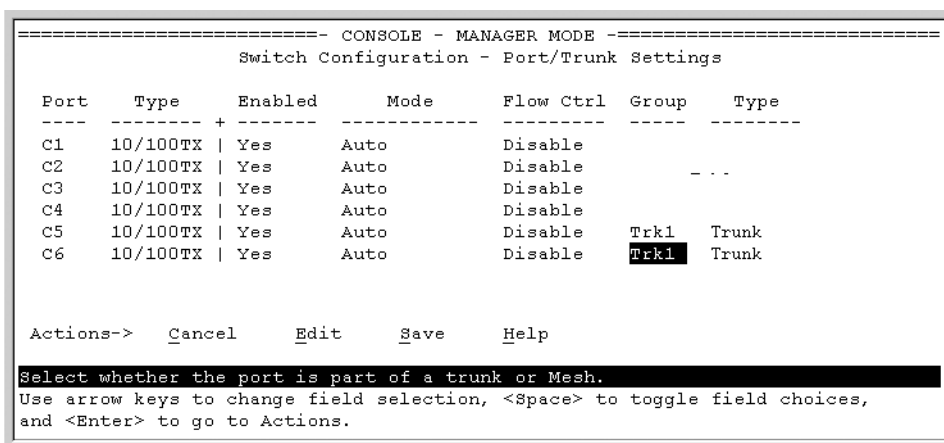
Figure 18: Example: of the menu screen for configuring a port trunk group



4. In the Group column, move the cursor to the port you want to configure.
5. Use the Space bar to choose a trunk group assignment (Trk1, Trk2, and so on) for the selected port.
 - a. For proper trunk operation, all ports in a trunk must have the same media type and mode (such as 10/100TX set to 100FDx, or 100FX set to 100FDx). The flow control settings must also be the same for all ports in a given trunk. To verify these settings, see "Viewing Port Status and Configuring Port Parameters".
 - b. You can configure the trunk group with up to eight ports per trunk. If multiple VLANs are configured, all ports within a trunk will be assigned to the same VLAN or set of VLANs. (With the 802.1Q VLAN capability built into the switch, more than one VLAN can be assigned to a trunk. See the "Static Virtual LANs (VLANs)" in the advanced traffic management guide for your switch.)

(To return a port to a non-trunk status, keep pressing the Space bar until a blank appears in the highlighted Group value for that port.)

Figure 19: Example: of the Configuration for a Two-Port Trunk Group



6. Move the cursor to the Type column for the selected port and use the Space bar to select the trunk type:
 - a. LACP
 - b. Trunk (the default type if you do not specify a type)

All ports in the same trunk group on the same switch must have the same Type (LACP or Trunk).

7. When you are finished assigning ports to the trunk group, press **[Enter]** , then **[S]** (for *Save*) and return to the Main Menu. (It is not necessary to reboot the switch.)

During the Save process, traffic on the ports configured for trunking is delayed for several seconds. If the Spanning Tree Protocol is enabled, the delay may be up to 30 seconds.

8. Connect the trunked ports on the switch to the corresponding ports on the opposite device. If you previously disabled any of the trunked ports on the switch, enable them now. (See "Viewing Port Status and Configuring Port Parameters")

Check the Event Log ("Using the Event Log for Troubleshooting Switch Problems") to verify that the trunked ports are operating properly.

Viewing and configuring port trunk groups (CLI)

You can list the trunk type and group for all ports on the switch or for selected ports. You can also list LACP-only status information for LACP-configured ports.

Viewing static trunk type and group for all ports or for selected ports

Syntax:

```
show trunks [< port-list >]
```

Omitting the *<port-list>* parameter results in a static trunk data listing for all LAN ports in the switch.

Example:

In a switch where ports A4 and A5 belong to Trunk 1 and ports A7 and A8 belong to Trunk 2, you have the options shown in **Listing specific ports belonging to static trunks** on page 133 and **A show trunk listing without specifying ports** on page 133 for displaying port data for ports belonging to static trunks.

Using a port list specifies, for switch ports in a static trunk group, only the ports you want to view. In this case, the command specifies ports A5 through A7. However, because port A6 is not in a static trunk group, it does not appear in the resulting listing:

Listing specific ports belonging to static trunks

```
switch# show trunks e 5-7
```

Load Balancing

Port	Name	Type	Group	Type
5	Print-Server-Trunk	10/100TX	Trk1	Trunk
7		10/100TX	Trk2	Trunk

The `show trunks <port-list>` command in the above Example: includes a port list, and thus shows trunk group information only for specific ports that have membership in a static trunk. In **A show trunk listing without specifying ports** on page 133, the command does not include a port list, so the switch lists all ports having static trunk membership.

A show trunk listing without specifying ports

```
switch# show trunks
```

Load Balancing

Port	Name	Type	Group	Type
------	------	------	-------	------

4		Print-Server-Trunk	10/100TX		Trk1	Trunk
5		Print-Server-Trunk	10/100TX		Trk1	Trunk
7			10/100TX		Trk2	Trunk
8			10/100TX		Trk2	Trunk

Viewing static LACP and dynamic LACP trunk data

Syntax:

```
show lacp
```

Lists data for only the LACP-configured ports.

Example:

Ports A1 and A2 have been previously configured for a static LACP trunk. (For more on the `Active` parameter, see table "[LACP port status data](#)".)

A show LACP listing

```
switch# show lacp
```

Port	LACP Enabled	Trunk Group	LACP		LACP Status	Admin Key	Oper Key
			Port Status	Partner			
A1	Active	Trk1	Up	Yes	Success	0	250
A2	Active	Trk1	Up	Yes	Success	0	250
A3	Active	A3	Down	No	Success	0	300
A4	Passive	A4	Down	No	Success	0	0
A5	Passive	A5	Down	No	Success	0	0
A6	Passive	A6	Down	No	Success	0	0

For a description of each of the above-listed data types, see table "[LACP port status data](#)".

Dynamic LACP Standby Links

Dynamic LACP trunking enables you to configure standby links for a trunk by including more than eight ports in a dynamic LACP trunk configuration. When eight ports (trunk links) are up, the remaining link(s) will be held in standby status. If a trunked link that is "Up" fails, it will be replaced by a standby link, which maintains your intended bandwidth for the trunk. (Refer to also the "Standby" entry under "Port Status" in "Table 4-5. LACP Port Status Data".) In the next Example:, ports A1 through A9 have been configured for the same LACP trunk. Notice that one of the links shows Standby status, while the remaining eight links are "Up".

A Dynamic LACP trunk with one standby link

```
switch# show lacp
```

Port	LACP Enabled	Trunk Group	LACP		LACP Status	Admin Key	Oper Key
			Port Status	Partner			
A1	Active	Dyn1	Up	Yes	Success	100	100
A2	Active	Dyn1	Up	Yes	Success	100	100
A3	Active	Dyn1	Up	Yes	Success	100	100
A4	Active	Dyn1	Up	Yes	Success	100	100
A5	Active	Dyn1	Up	Yes	Success	100	100
A6	Active	Dyn1	Up	Yes	Success	100	100
A7	Active	Dyn1	Up	Yes	Success	100	100

A8	Active	Dyn1	Up	Yes	Success	100	100
A9	Active	Dyn1	Standby	Yes	Success	100	100

Configuring a static trunk or static LACP trunk group

- ⓘ Configure port trunking **before** you connect the trunked links between switches. Otherwise, a broadcast storm could occur. (If you need to connect the ports before configuring them for trunking, you can temporarily disable the ports until the trunk is configured. See "Enabling or Disabling Ports and Configuring Port Mode".)

The "**Port trunk features and operation**" section describes the maximum number of trunk groups you can configure on the switch. An individual trunk can have up to eight links, with additional standby links if you're using LACP. You can configure trunk group types as follows:

Trunk Type	Trunk Group Membership	
	TrkX (Static)	DynX (Dynamic)
LACP	Yes	Yes
Trunk	Yes	No

The following examples show how to create different types of trunk groups.

Syntax:

```
trunk < port-list > < trk1 ... trk60 > {<trunk | lacp>}
```

Configures the specified static trunk type.

Example:

This Example: uses ports C4 to C6 to create a non-protocol static trunk group with the group name Trk2.

```
switch(config)# trunk c4-c6 trk2 trunk
```

Removing ports from a static trunk group



Removing a port from a trunk can create a loop and cause a broadcast storm. When you remove a port from a trunk where spanning tree is not in use, HPE Switch recommends that you first disable the port or disconnect the link on that port.

Syntax:

```
no trunk <port-list>
```

Removes the specified ports from an existing trunk group.

Example:

To remove ports C4 and C5 from an existing trunk group:

```
switch(config)# no trunk c4-c5
```

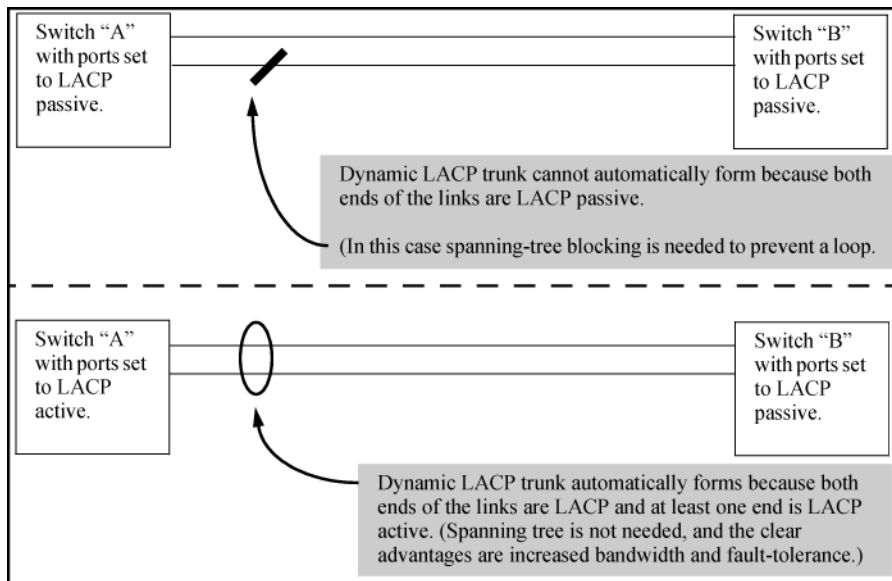
Enabling a dynamic LACP trunk group

In the default port configuration, all ports on the switch are set to disabled. To enable the switch to automatically form a trunk group that is dynamic on both ends of the link, the ports on one end of a set of links must be LACP Active. The ports on the other end can be either LACP Active or LACP Passive. The `active` command enables

the switch to automatically establish a (dynamic) LACP trunk group when the device on the other end of the link is configured for LACP Passive.

Example:

Figure 20: Criteria for automatically forming a dynamic LACP trunk



Syntax:

```
interface <port-list> lacp active
```

Configures <port-list> as LACP active. If the ports at the other end of the links on <port-list> are configured as LACP passive, this command enables a dynamic LACP trunk group on <port-list> .

Example:

This Example: uses ports C4 and C5 to enable a dynamic LACP trunk group.

```
switch(config)# interface c4-c5 lacp active
```

Removing ports from a dynamic LACP trunk group

To remove a port from dynamic LACP trunk operation, you must turn off LACP on the port. (On a port in an operating, dynamic LACP trunk, you cannot change between LACP Active and LACP passive without first removing LACP operation from the port.)



Unless spanning tree is running on your network, removing a port from a trunk can result in a loop. To help prevent a broadcast storm when you remove a port from a trunk where spanning tree is not in use, Hewlett Packard Enterprise recommends that you first disable the port or disconnect the link on that port.

Syntax:

```
no interface <port-list> lacp
```

Removes <port-list> from any dynamic LACP trunk and returns the ports in <port-list> to passive LACP.

Example:

Port C6 belongs to an operating, dynamic LACP trunk. To remove port C6 from the dynamic trunk and return it to passive LACP, do the following:

```
switch(config)# no interface c6 lacp
switch(config)# interface c6 lacp passive
```

In the above Example:, if the port on the other end of the link is configured for active LACP or static LACP, the trunked link will be re-established almost immediately.

Viewing existing port trunk groups (WebAgent)

While the WebAgent does not enable you to configure a port trunk group, it does provide a view of an existing trunk group.

To view any port trunk groups:

1. In the navigation pane, click **Interface**.
2. Click **Port Info/Config**. The trunk information for the port displays in the **Port Properties** box.

Trunk group operation using LACP

The switch can automatically configure a dynamic LACP trunk group, or you can manually configure a static LACP trunk group.



LACP requires full-duplex (FDx) links of the same media type (10/100Base-T, 100FX, and so on) and the same speed and enforces speed and duplex conformance across a trunk group. For most installations, HPE Switch recommends that you leave the port mode settings at `Auto` (the default). LACP also operates with `Auto-10`, `Auto-100`, and `Auto-1000` (if negotiation selects FDx), and `10FDx`, `100FDx`, and `1000FDx` settings.

LACP trunk status commands include:

Trunk display method	Static LACP trunk	Dynamic LACP trunk
CLI <code>show lacp</code> command	Included in listing.	Included in listing.
CLI <code>show trunk</code> command	Included in listing.	Not included.
Port/Trunk Settings screen in menu interface	Included in listing.	Not included

Thus, to display a listing of dynamic LACP trunk ports, you must use the `show lacp` command.

In most cases, trunks configured for LACP on the switches operate as described in the following table.

Table 11: LACP trunk types

LACP port trunk configuration	Operation
<p>Dynamic LACP</p>	<p>This option automatically establishes an 802.3ad-compliant trunk group, with LACP for the port Type parameter and DynX for the port Group name, where X is an automatically assigned value from 1 to 60, depending on how many dynamic and static trunks are currently on the switch. (The switch allows a maximum of 60 trunk groups in any combination of static and dynamic trunks.)</p> <p>Dynamic LACP trunks operate only in the default VLAN (unless GVRP is enabled and <code>Forbid</code> is used to prevent the trunked ports from joining the default VLAN). Thus, if an LACP dynamic port forms using ports that are not in the default VLAN, the trunk automatically moves to the default VLAN unless GVRP operation is configured to prevent this from occurring. In some cases, this can create a traffic loop in your network. For more information on this topic, see VLANs and dynamic LACP on page 141 .</p> <p>Under the following conditions, the switch automatically establishes a dynamic LACP port trunk group and assigns a port Group name:</p> <ul style="list-style-type: none"> • The ports on both ends of each link have compatible mode settings (speed and duplex). • The port on one end of each link must be configured for LACP Active and the port on the other end of the same link must be configured for either LACP Passive or LACP Active. For Example: <div data-bbox="607 1010 1357 1236" data-label="Diagram"> <pre> graph LR subgraph Switch1 [Switch 1] direction TB P1[Port X: LACP Enable: Active] P2[Port Y: LACP Enable: Active] end subgraph Switch2 [Switch 2] direction TB P3[Port A: LACP Enable: Active] P4[Port B: LACP Enable: Passive] end P1 --- Active-to-Active P3 P2 --- Active-to-Passive P4 </pre> </div> <p>Either of the above link configurations allows a dynamic LACP trunk link.</p> <p>Backup Links: A maximum of eight operating links are allowed in the trunk, but, with dynamic LACP, you can configure one or more additional (backup) links that the switch automatically activates if a primary link fails. To configure a link as a standby for an existing eight-port dynamic LACP trunk, ensure that the ports in the standby link are configured as either active-to-active or active-to-passive between switches.</p> <p>Displaying dynamic LACP trunk data: To list the configuration and status for a dynamic LACP trunk, use the CLI <code>show lacp</code> command.</p> <p>The dynamic trunk is automatically created by the switch and is not listed in the static trunk listings available in the menu interface or in the CLI <code>show trunk</code> listing.</p>
<p>Static LACP</p>	<p>Provides a manually configured, static LACP trunk to accommodate these conditions:</p>

- The port on the other end of the trunk link is configured for a static LACP trunk.
- You want to configure non-default Spanning Tree or IGMP parameters on an LACP trunk group.
- You want an LACP trunk group to operate in a VLAN other than the default VLAN and GVRP is disabled. (See **VLANs and dynamic LACP** on page 141.)
- You want to use a monitor port on the switch to monitor an LACP trunk.

The trunk operates if the trunk group on the opposite device is running one of the following trunking protocols:

- Active LACP
- Passive LACP
- Trunk

This option uses **LACP** for the port Type parameter and **TrkX** for the port Group parameter, where **X** is an automatically assigned value in a range corresponding to the maximum number of trunks the switch allows. (See **Port trunk features and operation** for the maximum number of trunk groups allowed on the switches.)

Displaying static LACP trunk data : To list the configuration and status for a static LACP trunk, use the CLI `show lacp` command. To list a static LACP trunk with its assigned ports, use the CLI `show trunk` command or display the menu interface Port/Trunk Settings screen. Static LACP does not allow standby ports.

Default port operation

In the default configuration, LACP is disabled for all ports. If LACP is not configured as Active on at least one end of a link, the port does not try to detect a trunk configuration and operates as a standard, untrunked port. The following table lists the elements of per-port LACP operation. To display this data for a switch, execute the following command in the CLI:

```
switch# show lacp
```

Table 12: LACP port status data

Status name	Meaning
Port Num	Shows the physical port number for each port configured for LACP operation (C1, C2, C3 ...). Unlisted port numbers indicate that the missing ports that are assigned to a static trunk group are not configured for any trunking.
LACP Enabled	<p>Active: The port automatically sends LACP protocol packets.</p> <p>Passive: The port does not automatically send LACP protocol packets and responds only if it receives LACP protocol packets from the opposite device. A link having either two active LACP ports or one active port and one passive port can perform dynamic LACP trunking. A link having two passive LACP ports does not perform LACP trunking because both ports are waiting for an LACP protocol packet from the opposite device.</p> <p>In the default switch configuration, LACP is disabled for all ports.</p>
Trunk Group	<p>TrkX: This port has been manually configured into a static LACP trunk.</p> <p>Trunk group same as port number: The port is configured for LACP, but is not a member of a port trunk.</p>
Port Status	<p>Up: The port has an active LACP link and is not blocked or in standby mode.</p> <p>Down: The port is enabled, but an LACP link is not established. This can indicate, For example, a port that is not connected to the network or a speed mismatch between a pair of linked ports.</p> <p>Disabled: The port cannot carry traffic.</p> <p>Blocked: LACP, Spanning Tree has blocked the port. (The port is not in LACP standby mode.) This may be caused by a (brief) trunk negotiation or a configuration error, such as differing port speeds on the same link or trying to connect the switch to more trunks than it can support. (See Trunk configuration protocols.)</p> <p>Some older devices are limited to four ports in a trunk. When eight LACP-enabled ports are connected to one of these older devices, four ports connect, but the other four ports are blocked.</p> <p>Standby: The port is configured for dynamic LACP trunking to another device, but the maximum number of ports for the dynamic trunk to that device has already been reached on either the switch or the other device. This port will remain in reserve, or "standby" unless LACP detects that another, active link in the trunk has become disabled, blocked, or down. In this case, LACP automatically assigns a standby port, if available, to replace the failed port.</p>
LACP Partner	<p>Yes: LACP is enabled on both ends of the link.</p> <p>No: LACP is enabled on the switch, but either LACP is not enabled or the link has not been detected on the opposite device.</p>
LACP Status	<p>Success: LACP is enabled on the port, detects and synchronizes with a device on the other end of the link, and can move traffic across the link.</p> <p>Failure: LACP is enabled on a port and detects a device on the other end of the link, but is not able to synchronize with this device, and therefore is not able to send LACP packets across the link. This can be caused, For example, by an intervening device on the link (such as a hub), a bad hardware connection, or if the LACP operation on the opposite device does not comply with the IEEE 802.3ad standard.</p>

LACP notes and restrictions

802.1X (Port-based access control) configured on a port

To maintain security, LACP is not allowed on ports configured for 802.1X authenticator operation. If you configure port security on a port on which LACP (active or passive) is configured, the switch removes the LACP configuration, displays a notice that LACP is disabled on the port, and enables 802.1X on that port.

```
switch(config)# aaa port-access authenticator b1
LACP has been disabled on 802.1x port(s).
switch(config)#
```

The switch does not allow you to configure LACP on a port on which port access (802.1X) is enabled. For Example:

```
switch(config)# int b1 lacp passive
Error configuring port < port-number > : LACP and 802.1x cannot
be run together.
switch(config)#
```

To restore LACP to the port, you must first remove the 802.1X configuration of the port and then re-enable LACP active or passive on the port.

Port security configured on a port

To maintain security, LACP is not allowed on ports configured for port security. If you configure port security on a port on which LACP (active or passive) is configured, the switch removes the LACP configuration, displays a notice that LACP is disabled on the port, and enables port security on that port. For example:

```
switch(config)# port-security a17 learn-mode static address-
limit 2 LACP has been disabled on secured port(s).
switch(config)#
```

The switch does not allow you to configure LACP on a port on which port security is enabled. For example:

```
switch(config)# int a17 lacp passive
Error configuring port A17: LACP and port security cannot be
run together.
switch(config)#
```

To restore LACP to the port, you must remove port security and re-enable LACP active or passive.

Changing trunking methods

To convert a trunk from static to dynamic, you must first eliminate the static trunk.

Static LACP trunks

When a port is configured for LACP (active or passive), but does not belong to an existing trunk group, you can add that port to a static trunk. Doing so disables dynamic LACP on that port, which means you must manually configure both ends of the trunk.

Dynamic LACP trunks

You can configure a port for LACP-active or LACP-passive, but on a dynamic LACP trunk you cannot configure the other options that you can on static trunks. If you want to manually configure a trunk, use the `trunk` command.

VLANs and dynamic LACP

A dynamic LACP trunk operates only in the default VLAN (unless you have enabled GVRP on the switch and use `Forbid` to prevent the ports from joining the default VLAN).

If you want to use LACP for a trunk on a non-default VLAN and GVRP is disabled, configure the trunk as a static trunk.

Blocked ports with older devices

Some older devices are limited to four ports in a trunk. When eight LACP-enabled ports are connected to one of these older devices, four ports connect, but the other four ports are blocked. The LACP status of the blocked ports is shown as "Failure."

If one of the other ports becomes disabled, a blocked port replaces it (Port Status becomes "Up"). When the other port becomes active again, the replacement port goes back to blocked (Port Status is "Blocked"). It can take a few seconds for the switch to discover the current status of the ports.

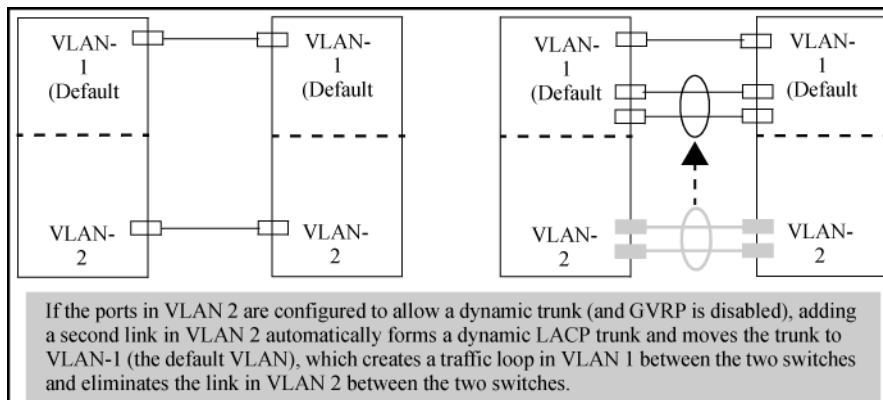
Blocked ports with LACP

```
switch(eth-B1-B8)# show lacp
```

LACP					
PORT NUMB	LACP ENABLED	TRUNK GROUP	PORT STATUS	LACP PARTNER	LACP STATUS
B1	Active	Dyn1	Up	Yes	Success
B2	Active	Dyn1	Up	Yes	Success
B3	Active	Dyn1	Up	Yes	Success
B4	Active	Dyn1	Up	Yes	Success
B5	Active	Dyn1	Blocked	Yes	Failure
B6	Active	Dyn1	Blocked	Yes	Failure
B7	Active	B7	Down	No	Success
B8	Active	B8	Down	No	Success

If there are ports that you do not want on the default VLAN, ensure that they cannot become dynamic LACP trunk members. Otherwise a traffic loop can unexpectedly occur. For Example:

Figure 21: A dynamic LACP trunk forming in a VLAN can cause a traffic loop



Easy control methods include either disabling LACP on the selected ports or configuring them to operate in static LACP trunks.

Spanning Tree and IGMP

If Spanning Tree, IGMP, or both are enabled in the switch, a dynamic LACP trunk operates only with the default settings for these features and does not appear in the port listings for these features.

Half-duplex, different port speeds, or both not allowed in LACP trunks

The ports on both sides of an LACP trunk must be configured for the same speed and for full-duplex (FDx). The 802.3ad LACP standard specifies a full-duplex (FDx) requirement for LACP trunking. (10-gigabit ports operate only at FDx.)

A port configured as LACP passive and not assigned to a port trunk can be configured to half-duplex (HDx). However, in any of the following cases, a port cannot be reconfigured to an HDx setting:

- If the port is a 10-gigabit port.
- If a port is set to LACP Active, you cannot configure it to HDx.
- If a port is already a member of a static or dynamic LACP trunk, you cannot configure it to HDx.
- If a port is already set to HDx, the switch does not allow you to configure it for a static or dynamic LACP trunk.

Dynamic/static LACP interoperation

A port configured for dynamic LACP can properly interoperate with a port configured for static (TrkX) LACP, but any ports configured as standby LACP links are ignored.

Trunk group operation using the "trunk" option

This method creates a trunk group that operates independently of specific trunking protocols and does not use a protocol exchange with the device on the other end of the trunk. With this choice, the switch simply uses the SA/DA method of distributing outbound traffic across the trunked ports without regard for how that traffic is handled by the device at the other end of the trunked links. Similarly, the switch handles incoming traffic from the trunked links as if it were from a trunked source.

When a trunk group is configured with the `trunk` option, the switch automatically sets the trunk to a priority of "4" for Spanning Tree operation (even if Spanning Tree is currently disabled). This appears in the running-config file as `spanning-tree Trkn priority 4`. Executing `write memory` after configuring the trunk places the same entry in the startup-config file.

Use the `trunk` option to establish a trunk group between a switch and another device, where the other device's trunking operation fails to operate properly with LACP trunking configured on the switches.

How the switch lists trunk data

Static trunk group

Appears in the menu interface and the output from the CLI `show trunk` and `show interfaces` commands.

Dynamic LACP trunk group

Appears in the output from the CLI `show lacp` command.

Interface option	Dynamic LACP trunk group	Static LACP trunk group	Static non-protocol
Menu interface	No	Yes	Yes
CLI <code>show trunk</code>	No	Yes	Yes
CLI <code>show interfaces</code>	No	Yes	Yes

Table Continued

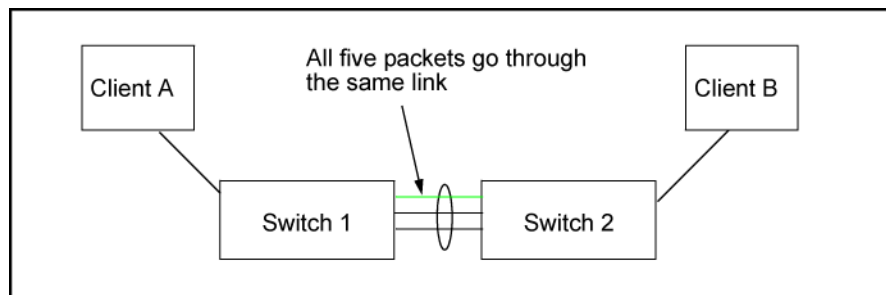
Interface option	Dynamic LACP trunk group	Static LACP trunk group	Static non-protocol group
CLI <code>show lacp</code>	Yes	Yes	No
CLI <code>show spanning-tree</code>	No	Yes	Yes
CLI <code>show igmp</code>	No	Yes	Yes
CLI <code>show config</code>	No	Yes	Yes

Outbound traffic distribution across trunked links

The two trunk group options (LACP and trunk) use SA/DA pairs for distributing outbound traffic over trunked links. That is, the switch sends traffic from the same source address to the same destination address through the same trunked link, and may also send traffic from the same source address to a different destination address through the same link or a different link, depending on the mapping of path assignments among the links in the trunk. Likewise, the switch distributes traffic for the same destination address but from different source addresses through links depending on the path assignment.

The load-balancing is done on a per-communication basis. Otherwise, traffic is transmitted across the same path as shown in the figure below. That is, if Client A attached to Switch 1 sends five packets of data to Server A attached to Switch 2, the same link is used to send all five packets. The SA/DA address pair for the traffic is the same. The packets are not evenly distributed across any other existing links between the two switches; they all take the same path.

Figure 22: Example: of single path traffic through a trunk



The actual distribution of the traffic through a trunk depends on a calculation using bits from the SA/DA. When an IP address is available, the calculation includes the last five bits of the IP source address and IP destination address; otherwise, the MAC addresses are used. The result of that process undergoes a mapping that determines which link the traffic goes through. If you have only two ports in a trunk, it is possible that all the traffic will be sent through one port even if the SA/DA pairs are different. The more ports you have in the trunk, the more likely it is that the traffic will be distributed among the links.

When a new port is added to the trunk, the switch begins sending traffic, either new traffic or existing traffic, through the new link. As links are added or deleted, the switch redistributes traffic across the trunk group. For example, in the figure below showing a three-port trunk, traffic could be assigned as shown in the following table.

Figure 23: Example: of port-trunked network

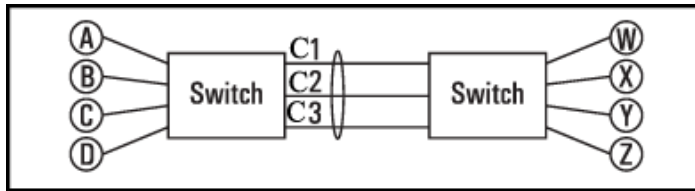


Table 13: Example: of link assignments in a trunk group (SA/DA distribution)

Source	Destination	Link
Node A	Node W	1
Node B	Node X	2
Node C	Node Y	3
Node D	Node Z	1
Node A	Node Y	2
Node B	Node W	3

Because the amount of traffic coming from or going to various nodes in a network can vary widely, it is possible for one link in a trunk group to be fully utilized while other links in the same trunk have unused bandwidth capacity, even if the assignments were evenly distributed across the links in a trunk.

Trunk load balancing using port layers

Trunk load balancing using port layers allows the use of TCP/UDP source and destination port number for trunk load balancing. This is in addition to the current use of source and destination IP address and MAC addresses. Configuration of Layer 4 load balancing would apply to all trunks on the switch. Only non-fragmented packets will have their TCP/UDP port number used by load balancing. This ensures that all frames associated with a fragmented IP packet are sent through the same trunk on the same physical link.

The priority for using layer packet information when this feature is enabled is as follows:

Procedure

1. L4-based: If the packet protocol is an IP packet, use Layer 4, or Layer 3, or Layer 2 information, whichever is present, in that order.
2. L3-based: If the packet protocol is an IP packet, use Layer 3, or Layer 2 information, whichever is present, in that order.
3. L2-based: If the packet protocol is an IP packet use Layer 2 information.
4. For all options, if the packet is not an IP packet, use Layer 2 information.

Enabling trunk load balancing

Enter the following command to enable load balancing.

Syntax:

```
trunk-load-balance L3-based | [L4-based >]
```

This option enables load balancing based on port layer information. The configuration is executed in global configuration context and applies to the entire switch.

Default: L3-based load balancing

- L2-based:** Load balance based on Layer 2 information.
- L3-based:** Load balance based on Layer 3 information if present, or Layer 2 information.
- L4-based:** Load balance on Layer 4 port information if present, or Layer 3 if present, or Layer 2.

Enabling L4-based trunk load balancing

```
switch(config)# trunk-load-balance L4 based
```

Output when L4-based trunk load balancing is enabled

```
HP Switch(config)# show trunk
```

```
Load Balancing Method: L4-based
```

Port	Name	Type	Group	Type
41		100/1000T	Trk1	Trunk
42		100/1000T	Trk1	Trunk

Note in **Running config file when L4-based trunk load balancing is enabled** on page 146 that in if L4 trunk load balancing is enabled, a line appears in the running-config file. If it is not enabled, nothing appears as this is the default and the default values are not displayed.

Running config file when L4-based trunk load balancing is enabled

```
switch(config)# show running-config
```

```
Running configuration
```

```
; J9091A Configuration Editor; Created on release #XX.15.02.0001x
```

```
hostname "Switch"  
module 1 type J8702A  
module 5 type J9051A  
module 7 type J8705A  
module 10 type J8708A  
module 12 type J8702A  
trunk-load-balance L4-based  
vlan 1  
  name "DEFAULT_VLAN"  
  untagged A1-A24, G1-G24, J1-J4, L1-L24  
  ip address dhcp-bootp  
  tagged EUP
```

```
no untagged EDP
exit
snmp-server community "public" unrestricted
```

Rate-limiting



Rate-limiting is intended for use on edge ports in a network. It is not recommended for use on links to other switches, routers, or servers within a network, or for use in the network core. Doing so can interfere with applications the network requires to function properly.

All traffic rate-limiting

Rate-limiting for all traffic operates on a per-port basis to allow only the specified bandwidth to be used for inbound or outbound traffic. When traffic exceeds the configured limit, it is dropped. This effectively sets a usage level on a given port and is a tool for enforcing maximum service level commitments granted to network users. This feature operates on a per-port level and is not configurable on port trunks. Rate-limiting is designed to be applied at the network edge to limit traffic from non-critical users or to enforce service agreements such as those offered by Internet Service Providers (ISPs) to provide only the bandwidth for which a customer has paid.



Rate-limiting also can be applied by a RADIUS server during an authentication client session. Applying rate-limiting to desirable traffic is **not recommended**. For further details, see "RADIUS Authentication and Accounting" in the access security guide for your switch.

The switches also support ICMP rate-limiting to mitigate the effects of certain ICMP-based attacks.

ICMP traffic is necessary for network routing functions. For this reason, blocking all ICMP traffic is not recommended.

Configuring in/out rate-limiting

Syntax:

```
[no] int <port-list> rate-limit all <in|out> percent <0-100>|kbps <0-100000000>>
```

Configures a traffic rate limit (on non-trunked ports) on the link. The `no` form of the command disables rate-limiting on the specified ports.

The `rate-limit all` command controls the rate of traffic sent or received on a port by setting a limit on the bandwidth available. It includes options for:

- Rate-limiting on inbound or outbound traffic.
- Specifying the traffic rate as either a percentage of bandwidth, or in terms of bits per second.

(Default: Disabled.)

<code>in</code> or <code>out</code>	Specifies a traffic rate limit on inbound traffic passing through that port or on outbound traffic.
<code>percent</code> or <code>kbps</code>	Specifies the rate limit as a percentage of total available bandwidth, or in kilobits per second.



The granularity of actual limits may vary across different switch models.

For more details on configuring rate-limiting, see [All traffic rate-limiting](#) on page 148.

Notes:

- The `rate-limit icmp` command specifies a rate limit on inbound ICMP traffic only (see [ICMP rate-limiting](#) on page 152).
- Rate-limiting does not apply to trunked ports (including meshed ports).
- Kbps rate-limiting is done in segments of 1% of the lowest corresponding media speed. For example, if the media speed is 1 Kbps, the value would be 1 Mbps. A 1-100 Kbps rate-limit is implemented as a limit of 100 Kbps; a limit of 100-199 Kbps is also implemented as a limit of 100 Kbps, a limit of 200-299 Kbps is implemented as a limit of 200 Kbps, and so on.
- Percentage limits are based on link speed. For example, if a 100 Mbps port negotiates a link at 100 Mbps and the inbound rate-limit is configured at 50%, then the traffic flow through that port is limited to no more than 50 Mbps. Similarly, if the same port negotiates a 10 Mbps link, then it allows no more than 5 Mbps of inbound traffic. Configuring a rate limit of 0 (zero) on a port **blocks all traffic on that port**. However, if this is the desired behavior on the port, Hewlett Packard Enterprise recommends using the `<port-list> disable` command instead of configuring a rate limit of 0.

You can configure a rate limit from either the global configuration level or from the port context level. For example, either of the following commands configures an inbound rate limit of 60% on ports 3 – 5:

```
switch(config)# int 3-5 rate-limit all in percent 60
switch(eth-3-5)# rate-limit all in percent 60
```

Displaying the current rate-limit configuration

The `show rate-limit all` command displays the per-port rate-limit configuration in the running-config file.

Syntax:

```
show rate-limit all [<port-list>]
```

Without `[port-list]`, this command lists the rate-limit configuration for all ports on the switch.

With `[port-list]`, this command lists the rate-limit configuration for the specified ports. This command operates the same way in any CLI context.

If you want to view the rate-limiting configuration on the first six ports:

Example:

[Listing the rate-limit configuration](#) on page 150 shows a rate-limiting configuration for the first six ports. In this instance:

- Ports 1–4 are configured with an outbound rate limit of 200 Kbps.
- Port 5 is configured with an inbound rate limit of 20%.
- Port 6 is not configured for rate-limiting.

Listing the rate-limit configuration

```
switch# show rate-limit all 1-6
```

```
All-Traffic Rate Limit Maximum %
```

Port	Inbound Limit	Mode	Radius Override	Outbound Limit	Mode	Radius Override
1	Disabled	Disabled	No-override	200	kbps	No-override
2	Disabled	Disabled	No-override	200	kbps	No-override
3	Disabled	Disabled	No-override	200	kbps	No-override
4	Disabled	Disabled	No-override	200	kbps	No-override
5	20	%	No-override	Disabled	Disabled	No-override
6	Disabled	Disabled	No-override	Disabled	Disabled	No-override



NOTE

To view **RADIUS**-assigned rate-limit information, use one of the following command options:

```
show port-access
  web-based clients <port-list> detailed
  mac-based clients <port-list> detailed
  authenticator clients <port-list> detailed
```

For more on **RADIUS**-assigned rate-limits, see title "Configuring RADIUS Server Support for Switch Services" in the latest Management and Configuration Guide for your switch.

The `show running` command displays the currently applied setting for any interfaces in the switch configured for all traffic rate-limiting and ICMP rate limiting.

The `show config` command displays this information for the configuration currently stored in the `startup-config` file. (Note that configuration changes performed with the CLI, but not followed by a `write mem` command, do not appear in the `startup-config` file.)

Rate-limit settings listed in the `show config` output

```
switch# show config
```

```
Startup configuration: 3
```

```
; J9727A Configuration Editor; Created on release #WB.15.18.0000x
; Ver #09:14.29.eb.8f.fc.f3.ff.37.2d:ba
```

```
hostname "HP-2920-24G-PoEP"
module 1 type j9727a
interface 1
  rate-limit all out kbps 200
  exit
interface 2
  rate-limit all out kbps 200
  exit
interface 3
  rate-limit all out kbps 200
  exit
interface 4
  rate-limit all out kbps 200
  exit
interface 5
```

```
rate-limit all in percent 20
exit
```

Operating notes for rate-limiting

- **Rate-limiting operates on a per-port basis, regardless of traffic priority.** Rate-limiting is available on all types of ports (other than trunked ports) and at all port speeds configurable for these switches.
- **Rate-limiting on a trunk is not allowed for the `all`, `bcast`, `icmp`, and `mcast` traffic types.** Rate-limiting is not supported on ports configured in a trunk group (including mesh ports). Configuring a port for rate-limiting and then adding it to a trunk suspends rate-limiting on the port while it is in the trunk. Attempting to configure rate-limiting on a port that already belongs to a trunk generates the following message:
`<port-list> : Operation is not allowed for a trunked port.`
- **Rate-limiting and hardware.** The hardware will round the actual Kbps rate down to the nearest multiple of 64 Kbps.
- **Rate-limiting is visible as an outbound forwarding rate.** Because inbound rate-limiting is performed on packets during packet-processing, it is not shown via the inbound drop counters. Instead, this limit is verifiable as the ratio of outbound traffic from an inbound rate-limited port versus the inbound rate. For outbound rate-limiting, the rate is visible as the percentage of available outbound bandwidth (assuming that the amount of requested traffic to be forwarded is larger than the rate-limit).
- **Operation with other features.** Configuring rate-limiting on a port where other features affect port queue behavior (such as flow control) can result in the port not achieving its configured rate-limiting maximum. For example, in a situation where flow control is configured on a rate-limited port, there can be enough "back pressure" to hold high-priority inbound traffic from the upstream device or application to a rate that is lower than the configured rate limit. In this case, the inbound traffic flow does not reach the configured rate and lower priority traffic is not forwarded into the switch fabric from the rate-limited port. (This behavior is termed "head-of-line blocking" and is a well-known problem with flow-control.) In another type of situation, an outbound port can become oversubscribed by traffic received from multiple rate-limited ports. In this case, the actual rate for traffic on the rate-limited ports may be lower than configured because the total traffic load requested to the outbound port exceeds the port's bandwidth, and thus some requested traffic may be held off on inbound.
- **Traffic filters on rate-limited ports.** Configuring a traffic filter on a port does not prevent the switch from including filtered traffic in the bandwidth-use measurement for rate-limiting when it is configured on the same port. For example, ACLs, source-port filters, protocol filters, and multicast filters are all included in bandwidth usage calculations.
- **Monitoring (mirroring) rate-limited interfaces.** If monitoring is configured, packets dropped by rate-limiting on a monitored interface are still forwarded to the designated monitor port. (Monitoring shows what traffic is inbound on an interface, and is not affected by "drop" or "forward" decisions.)
- **Optimum rate-limiting operation.** Optimum rate-limiting occurs with 64-byte packet sizes. Traffic with larger packet sizes can result in performance somewhat below the configured bandwidth. This is to ensure the strictest possible rate-limiting of all sizes of packets.



Rate-limiting is applied to the available bandwidth on a port and not to any specific applications running through the port. If the total bandwidth requested by all applications is less than the configured maximum rate, then no rate-limit can be applied. This situation occurs with a number of popular throughput-testing applications, as well as most regular network applications. Consider the following Example: that uses the minimum packet size:

The total available bandwidth on a 100 Mbps port "X" (allowing for Inter-packet Gap—IPG), with no rate-limiting restrictions, is:

$$(((100,000,000 \text{ bits}) / 8) / 84) \times 64 = 9,523,809 \text{ bytes per second}$$

where:

- The divisor (84) includes the 12-byte IPG, 8-byte preamble, and 64-bytes of data required to transfer a 64-byte packet on a 100 Mbps link.
- Calculated "bytes-per-second" includes packet headers and data. This value is the maximum "bytes-per-second" that 100 Mbps can support for minimum-sized packets.

Suppose port "X" is configured with a rate limit of 50% (4,761,904 bytes). If a throughput-testing application is the only application using the port and transmits 1 Mbyte of data through the port, it uses only 10.5% of the port's available bandwidth, and the rate-limit of 50% has no effect. This is because the maximum rate permitted (50%) exceeds the test application's bandwidth usage (126,642-164,062 bytes, depending upon packet size, which is only 1.3% to 1.7% of the available total). Before rate-limiting can occur, the test application's bandwidth usage must exceed 50% of the port's total available bandwidth. That is, to test the rate-limit setting, the following must be true:

$$\text{bandwidth usage } (0.50 \times 9,523,809)$$

ICMP rate-limiting

In IP networks, ICMP messages are generated in response to either inquiries or requests from routing and diagnostic functions. These messages are directed to the applications originating the inquiries. In unusual situations, if the messages are generated rapidly with the intent of overloading network circuits, they can threaten network availability. This problem is visible in denial-of-service (DoS) attacks or other malicious behaviors where a worm or virus overloads the network with ICMP messages to an extent where no other traffic can get through. (ICMP messages themselves can also be misused as virus carriers). Such malicious misuses of ICMP can include a high number of ping packets that mimic a valid source IP address and an invalid destination IP address (spoofed pings), and a high number of response messages (such as Destination Unreachable error messages) generated by the network.

ICMP rate-limiting provides a method for limiting the amount of bandwidth that may be used for inbound ICMP traffic on a switch port. This feature allows users to restrict ICMP traffic to percentage levels that permit necessary ICMP functions, but throttle additional traffic that may be caused by worms or viruses (reducing their spread and effect). In addition, ICMP rate-limiting preserves inbound port bandwidth for non-ICMP traffic.



ICMP is necessary for routing, diagnostic, and error responses in an IP network. ICMP rate-limiting is primarily used for throttling worm or virus-like behavior and should normally be configured to allow one to five percent of available inbound bandwidth (at 10 Mbps or 100 Mbps speeds) or 100 to 10,000 kbps (1Gbps or 10 Gbps speeds) to be used for ICMP traffic. **This feature should not be used to remove all ICMP traffic from a network.**



ICMP rate-limiting does not throttle non-ICMP traffic. In cases where you want to throttle both ICMP traffic and all other inbound traffic on a given interface, you can separately configure both ICMP rate-limiting and all-traffic rate-limiting.

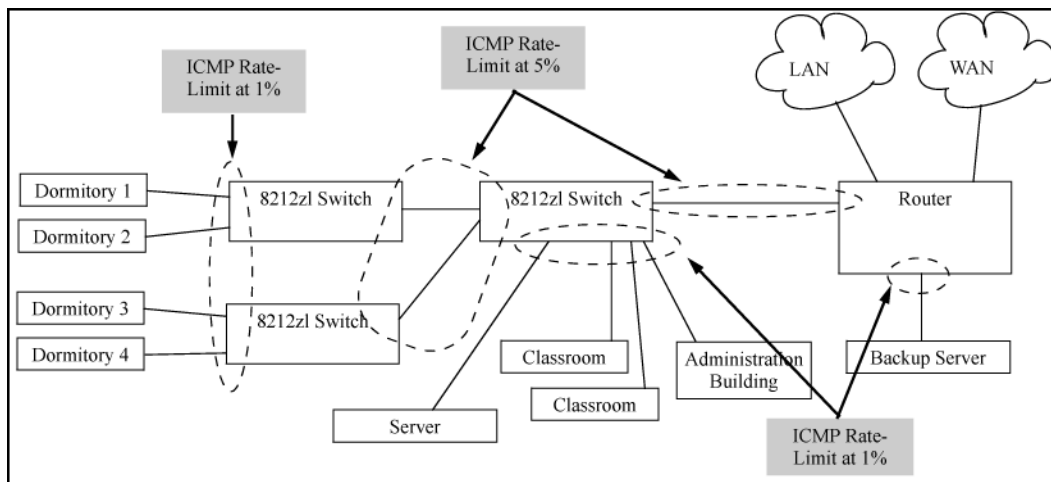
The all-traffic rate-limiting command (`rate-limit all`) and the ICMP rate-limiting command (`rate-limit icmp`) operate differently:

- All-traffic rate-limiting applies to both inbound and outbound traffic and can be specified either in terms of a percentage of total bandwidth or in terms of bits per second;
- ICMP rate-limiting applies only to inbound traffic and can be specified as only a percentage of total bandwidth.

Guidelines for configuring ICMP rate-limiting

Apply ICMP rate-limiting on all connected interfaces on the switch to effectively throttle excessive ICMP messaging from any source. **Figure 24: Example: of ICMP rate-limiting** on page 153 shows an Example: of how to configure this for a small to mid-sized campus though similar rate-limit thresholds are applicable to other network environments. On edge interfaces, where ICMP traffic should be minimal, a threshold of 1% of available bandwidth should be sufficient for most applications. On core interfaces, such as switch-to-switch and switch-to-router, a maximum threshold of 5% should be sufficient for normal ICMP traffic. ("Normal" ICMP traffic levels should be the maximums that occur when the network is rebooting.)

Figure 24: Example: of ICMP rate-limiting



Configuring ICMP rate-limiting

For detailed information about ICMP rate-limiting, see **ICMP rate-limiting** on page 152.

The `rate-limit icmp` command controls inbound usage of a port by setting a limit on the bandwidth available for inbound ICMP traffic.

Syntax:

```
[no] int <port-list> rate-limit icmp {< percent < 0-100 > | kbps < 0-10000000 > | [trap-clear]}
```

Configures inbound ICMP traffic rate-limiting. You can configure a rate limit from either the global configuration level (as shown above) or from the interface context level. The `no` form of the command disables ICMP rate-limiting on the specified interfaces.

(Default: Disabled.)

<code>percent <1-100></code>	Values in this range allow ICMP traffic as a percentage of the bandwidth available on the interface.
<code>kbps <0-10000000></code>	Specifies the rate at which to forward traffic in kilobits per second.
<code>0</code>	Causes an interface to drop all incoming ICMP traffic and is not recommended. See the caution .
<code>trap-clear</code>	Clears existing ICMP rate limiting trap condition.

Note: ICMP rate-limiting is not supported on meshed ports. (Rate-limiting can reduce the efficiency of paths through a mesh domain).

Example:

Either of the following commands configures an inbound rate limit of 1% on ports A3 to A5, which are used as network edge ports:

```
switch(config) # int a3-a5 rate-limit icmp 1
switch(eth-A3-A5) # rate-limit icmp 1
```



When using kbps-mode ICMP rate-limiting, the rate-limiting only operates on the IP payload part of the ICMP packet (as required by metering RFC 2698). This means that effective metering is at a rate greater than the configured rate, with the disparity increasing as the packet size decreases (the packet to payload ratio is higher).

Also, in kbps mode, metering accuracy is limited at low values, For example, less than 45 Kbps. This is to allow metering to function well at higher media speeds such as 10 Gbps.

For information on using ICMP rate-limiting and all-traffic rate-limiting on the same interface, see [Using both ICMP rate-limiting and all-traffic rate-limiting on the same interface](#) on page 154.

Using both ICMP rate-limiting and all-traffic rate-limiting on the same interface

ICMP and all-traffic rate-limiting can be configured on the same interface. All-traffic rate-limiting applies to all inbound or outbound traffic (including ICMP traffic), while ICMP rate-limiting applies only to inbound ICMP traffic.



If the all-traffic load on an interface meets or exceeds the currently configured all-traffic inbound rate-limit while the ICMP traffic rate-limit on the same interface has not been reached, all excess traffic is dropped, including any inbound ICMP traffic above the all-traffic limit (regardless of whether the ICMP rate-limit has been reached).

Example:

Suppose:

- The all-traffic inbound rate-limit on port "X" is configured at 55% of the port's bandwidth.
- The ICMP traffic rate-limit on port "X" is configured at 2% of the port's bandwidth.

If at a given moment:

- Inbound ICMP traffic on port "X" is using 1% of the port's bandwidth, and
- Inbound traffic of all types on port "X" demands 61% of the ports's bandwidth,

all inbound traffic above 55% of the port's bandwidth, including any additional ICMP traffic, is dropped as long as all inbound traffic combined on the port demands 55% or more of the port's bandwidth.

Viewing the current ICMP rate-limit configuration

The `show rate-limit icmp` command displays the per-interface ICMP rate-limit configuration in the running-config file.

Syntax:

```
show rate-limit icmp [< port-list >]
```

Without [*port-list*], this command lists the ICMP rate-limit configuration for all ports on the switch.

With [*port-list*], this command lists the rate-limit configuration for the specified interfaces. This command operates the same way in any CLI context

If you want to view the rate-limiting configuration on ports 1–6:

Listing the rate-limit configuration

```
switch(config)# show rate-limit icmp 1-6

Inbound ICMP Rate Limit Maximum Percentage

Port | Mode      Rate
-----+-----
1    | Disabled  Disabled
2    | kbps      100
3    | %         5
4    | %         1
5    | %         1
6    | Disabled  Disable
```

The `show running` command displays the currently applied setting for any interfaces in the switch configured for all traffic rate-limiting and ICMP rate-limiting.

The `show config` command displays this information for the configuration currently stored in the `startup-config` file. (Note that configuration changes performed with the CLI, but not followed by a `write mem` command, do not appear in the `startup-config` file.)

Operating notes for ICMP rate-limiting

ICMP rate-limiting operates on an interface (per-port) basis to allow, on average, the highest expected amount of legitimate, inbound ICMP traffic.

- **Interface support:** ICMP rate-limiting is available on all types of ports (other than trunk ports or mesh ports), and at all port speeds configurable for the switch.
- **Rate-limiting is not permitted on mesh ports:** Either type of rate-limiting (all-traffic or ICMP) can reduce the efficiency of paths through a mesh domain.
- **Rate-limiting on a trunk is not allowed for the `all`, `bcast`, `icmp`, and `mcast` traffic types.** Neither all-traffic nor ICMP rate-limiting are supported on ports configured in a trunk group.
- **ICMP percentage-based rate-limits are calculated as a percentage of the negotiated link speed:** For example, if a 100 Mbps port negotiates a link to another switch at 100 Mbps and is ICMP rate-limit configured at 5%, the inbound ICMP traffic flow through that port is limited to 5 Mbps. Similarly, if the same port negotiates a 10 Mbps link, it allows 0.5 Mbps of inbound traffic. If an interface experiences an inbound flow of ICMP traffic

in excess of its configured limit, the switch generates a log message and an SNMP trap (if an SNMP trap receiver is configured).

- **ICMP rate-limiting is port-based:** ICMP rate-limiting reflects the available percentage of an interface's entire inbound bandwidth. The rate of inbound flow for traffic of a given priority and the rate of flow from an ICMP rate-limited interface to a particular queue of an outbound interface are not measures of the actual ICMP rate limit enforced on an interface.
- **Below-maximum rates:** ICMP rate-limiting operates on a per-interface basis, regardless of traffic priority. Configuring ICMP rate-limiting on an interface where other features affect inbound port queue behavior (such as flow control) can result in the interface not achieving its configured ICMP rate-limiting maximum. For example, in some situations with flow control configured on an ICMP rate-limited interface, there can be enough "back pressure" to hold high-priority inbound traffic from the upstream device or application to a rate that does not allow bandwidth for lower-priority ICMP traffic. In this case, the inbound traffic flow may not permit the forwarding of ICMP traffic into the switch fabric from the rate-limited interface. (This behavior is termed "head-of-line blocking" and is a well-known problem with flow-control.) In cases where both types of rate-limiting (`rate-limit all` and `rate-limit icmp`) are configured on the same interface, this situation is more likely to occur.

In another type of situation, an outbound interface can become oversubscribed by traffic received from multiple ICMP rate-limited interfaces. In this case, the actual rate for traffic on the rate-limited interfaces may be lower than configured because the total traffic load requested to the outbound interface exceeds the interface's bandwidth, and thus some requested traffic may be held off on inbound.

- **Monitoring (mirroring) ICMP rate-limited interfaces:** If monitoring is configured, packets dropped by ICMP rate-limiting on a monitored interface are still forwarded to the designated monitor port. (Monitoring shows what traffic is inbound on an interface, and is not affected by "drop" or "forward" decisions.)
- **Optimum rate-limiting operation:** Optimum rate-limiting occurs with 64-byte packet sizes. Traffic with larger packet sizes can result in performance somewhat below the configured inbound bandwidth. This is to ensure the strictest possible rate-limiting of all sizes of packets.
- **Outbound traffic flow:** Configuring ICMP rate-limiting on an interface does **not** control the rate of outbound traffic flow on the interface.

ICMP rate-limiting trap and Event Log messages

If the switch detects a volume of inbound ICMP traffic on a port that exceeds the ICMP rate-limit configured for that port, it generates one SNMP trap and one informational Event Log message to notify the system operator of the condition. (The trap and Event Log message are sent within two minutes of when the event occurred on the port.) For Example:

```
I 06/30/05 11:15:42 RateLim: ICMP traffic exceeded configured limit on port A1
```

These trap and Event Log messages provide an advisory that inbound ICMP traffic on a given interface has exceeded the configured maximum. The additional ICMP traffic is dropped, but the excess condition may indicate an infected host (or other traffic threat or network problem) on that interface. The system operator should investigate the attached devices or network conditions further; the switch does not send more traps or Event Log messages for excess ICMP traffic on the affected port until the system operator resets the port's ICMP trap function.

The switch does not send more traps or Event Log messages for excess ICMP traffic on the affected port until the system operator resets the port's ICMP trap function. The reset can be done through SNMP from a network management station or through the CLI with the `trap-clear` command option.

Syntax:

```
interface <port-list> rate-limit icmp trap-clear
```

On a port configured with ICMP rate-limiting, this command resets the ICMP trap function, which allows the switch to generate a new SNMP trap and an Event Log message if ICMP traffic in excess of the configured limit is detected on the port.

Example:

An operator noticing an ICMP rate-limiting trap or Event Log message originating with port 1 on a switch would use the following command to reset the port to send a new message if the condition occurs again:

```
HP Switch(config)# interface 1 rate-limit icmp trap-clear
```

Determining the switch port number used in ICMP port reset commands

To enable excess ICMP traffic notification traps and Event Log messages, use the `setmib` command described on **ICMP rate-limiting trap and Event Log messages** on page 156. The port number included in the command corresponds to the internal number the switch maintains for the designated port and not the port's external identity.

To match the port's external slot/number to the internal port number, use the `walkmib ifDescr` command, as shown in the following example:

Matching internal port numbers to external port numbers

```
switch# walkmib ifDescr
ifDescr.1 = 1
ifDescr.2 = 2
ifDescr.3 = 3
ifDescr.4 = 4
ifDescr.5 = 5
ifDescr.6 = 6
ifDescr.7 = 7
ifDescr.8 = 8
ifDescr.9 = 9
ifDescr.10 = 10
ifDescr.11 = 11
ifDescr.12 = 12
ifDescr.13 = 13
ifDescr.14 = 14
ifDescr.15 = 15
ifDescr.16 = 16
ifDescr.17 = 17
ifDescr.18 = 18
ifDescr.19 = 19
ifDescr.20 = 20
ifDescr.21 = 21
ifDescr.22 = 22
ifDescr.23 = 23
ifDescr.24 = 24
ifDescr.210 = Trk1
ifDescr.211 = Trk2
ifDescr.330 = DEFAULT_VLAN
ifDescr.4425 = HP Switch software loopback interface
ifDescr.4426 = HP Switch software loopback interface
.
.
.
```

Configuring inbound rate-limiting for broadcast and multicast traffic

You can configure rate-limiting (throttling) of inbound broadcast and multicast traffic on the switch, which helps prevent the switch from being disrupted by traffic storms if they occur on the rate-limited port. The rate-limiting is implemented as a percentage of the total available bandwidth on the port.

The `rate-limit` command can be executed from the global or interface context, for Example:

```
switch(config)# interface 3 rate-limit bcst in percent 10
```

or

```
switch(config)# interface 3
switch(eth-3)# rate-limit bcst in percent 10
```

Syntax:

```
rate-limit {< bcst | mcast >} in percent < 0-100 >
```

Option

```
in percent <0-100>
```

Also supports configuring limit in *kbps*

```
[no] rate-limit {<bcast | [mcast >]} in
```

Enables rate-limiting and sets limits for the specified inbound broadcast or multicast traffic. Only the amount of traffic specified by the percent is forwarded.

Default: Disabled

If you want to set a limit of 50% on inbound broadcast traffic for port 3, you can first enter interface context for port 3 and then execute the `rate-limit` command, as shown in **Inbound broadcast rate-limiting of 50% on port 3** on page 158. Only 50% of the inbound broadcast traffic will be forwarded.

Inbound broadcast rate-limiting of 50% on port 3

```
switch(config)# int 3
switch(eth-3)# rate-limit bcst in percent 50
```

```
switch(eth-3)# show rate-limit bcst
Broadcast-Traffic Rate Limit Maximum %
```

Port	Inbound Limit	Mode	Radius Override
1	Disabled	Disabled	No-override
2	Disabled	Disabled	No-override
3	Disabled	%	No-override
4	Disabled	Disabled	No-override
5	Disabled	Disabled	No-override

If you rate-limit multicast traffic on the same port, the multicast limit is also in effect for that port, as shown in **Inbound multicast rate-limiting of 20% on port 3** on page 158. Only 20% of the multicast traffic will be forwarded.

Inbound multicast rate-limiting of 20% on port 3

```
switch(eth-3)# rate-limit mcast in percent 20
switch(eth-3)# show rate-limit mcast
```

```
Multicast-Traffic Rate Limit Maximum %
```

Port	Inbound Limit	Mode	Radius Override
------	---------------	------	-----------------

-----	+	-----	-----	-----
1		Disabled	Disabled	No-override
2		Disabled	Disabled	No-override
3		20	%	No-override
4		Disabled	Disabled	No-override

To disable rate-limiting for a port enter the `no` form of the command, as shown in [Disabling inbound multicast rate-limiting for port 3](#) on page 159.

Disabling inbound multicast rate-limiting for port 3

```
switch(eth-3)# no rate-limit mcast in
```

```
switch(eth-3)# show rate-limit mcast
```

```
Multicast-Traffic Rate Limit Maximum %
```

Port		Inbound Limit	Mode	Radius Override
-----	+	-----	-----	-----
1		Disabled	Disabled	No-override
2		Disabled	Disabled	No-override
3		Disabled	Disabled	No-override
4		Disabled	Disabled	No-override

Operating Notes

The following information is displayed for each installed transceiver:

- Port number on which transceiver is installed.
- Type of transceiver.
- Product number — Includes revision letter, such as A, B, or C. If no revision letter follows a product number, this means that no revision is available for the transceiver.
- Part number — Allows you to determine the manufacturer for a specified transceiver and revision number.
- For a non-HPE switches installed transceiver (see [line 23 of "The show tech transceivers command" example](#)), no transceiver type, product number, or part information is displayed. In the Serial Number field, `non-operational` is displayed instead of a serial number.
- The following error messages may be displayed for a non-operational transceiver:
 - `Unsupported Transceiver. (SelfTest Err#060)`
 - `This switch only supports revision B and above transceivers.`
 - `Self test failure.`
 - `Transceiver type not supported in this port.`
 - `Transceiver type not supported in this software version.`
 - `Not an HPE Switch Transceiver.`

Rate-limiting Unknown Unicast Traffic

Unknown unicast traffic consists of unicast packets with unknown destination MAC addresses. The switch floods the unicast packets to all interfaces that are members of the VLAN. An attacker can bring down the network by

sending out packets to random destination MAC addresses and hence it is important to rate limit traffic with unknown destination addresses.

You can rate limit the unknown unicast traffic per port level in either percent or kbps mode.

rate-limit unknown-unicast in percent

Syntax

```
interface port-list rate-limit unknown-unicast in percent 0-100
```

Description

Sets a rate limit for unicast flood traffic.

Command context

```
interface
```

Parameters

in

Sets a rate limit for incoming unicast flood traffic.

percent

Specifies the rate limit as a percentage of the total available bandwidth.

kbps

Specifies the rate limit in Kb/s.

Examples

```
switch(config)# int 2
switch(eth-2)# rate-limit
all                Set a rate limit for all traffic.
bcast              Set a rate limit for broadcast traffic.
icmp               Set a rate limit for ICMP traffic.
mcast              Set a rate limit for multicast traffic.
queues             Set a rate limit for each traffic queue.
unknown-unicast   Set a rate limit for unicast flood traffic.
switch(eth-2)# rate-limit unknown-unicast
in                  Set a rate limit for incoming unicast flood traffic.
switch(eth-2)# rate-limit unknown-unicast in
kbps
percent
switch(eth-2)# rate-limit unknown-unicast in percent 10
switch(eth-2)# show rate-limit
  bcast              Show broadcast traffic rate limits.
  icmp               Show ICMP traffic rate limits.
  mcast              Show multicast traffic rate limits.
  queues             Show limits for outgoing queue traffic.
  unknown-unicast   Show unicast flood traffic rate limits.
switch(eth-2)# show rate-limit unknown-unicast
[ethernet] PORT-LIST The ports to show information for.

switch(eth-2)# show rate-limit unknown-unicast 2

Unknown-Unicast Traffic Rate Limit Maximum %

Port  | Inbound Limit Mode
-----+-----
```


rate-limit unknown-unicast in kbps

Syntax

```
interface port-list rate-limit unknown-unicast in kbps rate
```

Description

Sets a rate limit for unicast flood traffic.

Command context

```
interface
```

Parameters

in

Sets a rate limit for incoming unicast flood traffic.

percent

Specifies the rate limit as a percentage of the total available bandwidth.

kbps

Specifies the rate limit in Kb/s.

Examples

```
switch(config)# int 1
switch(eth-1)# rate-limit
all                Set a rate limit for all traffic.
bcast              Set a rate limit for broadcast traffic.
icmp               Set a rate limit for ICMP traffic.
mcast              Set a rate limit for multicast traffic.
queues             Set a rate limit for each traffic queue.
unknown-unicast   Set a rate limit for unicast flood traffic.
switch(eth-1)# rate-limit unknown-unicast
in                 Set a rate limit for incoming unicast flood traffic.
switch(eth-1)# rate-limit unknown-unicast in
kbps
percent
switch(eth-1)# rate-limit unknown-unicast in kbps 100
switch(eth-1)# show rate-limit
all                Show total traffic rate limits.
bcast              Show broadcast traffic rate limits.
icmp               Show ICMP traffic rate limits.
mcast              Show multicast traffic rate limits.
queues             Show limits for outgoing queue traffic.
unknown-unicast   Show unicast flood traffic rate limits.
switch(eth-1)# show rate-limit unknown-unicast
```

Unknown-Unicast Traffic Rate Limit Maximum %

Port	Inbound Limit	Mode
1	100	kbps
2	Disabled	Disabled
3	Disabled	Disabled
4	Disabled	Disabled
5	Disabled	Disabled

6	Disabled	Disabled
7	Disabled	Disabled
8	Disabled	Disabled
9	Disabled	Disabled
10	Disabled	Disabled
11	Disabled	Disabled
12	Disabled	Disabled
13	Disabled	Disabled
14	Disabled	Disabled
15	Disabled	Disabled
16	Disabled	Disabled

show rate-limit unknown-unicast

Syntax

```
show rate-limit unknown-unicast
```

Description

Displays the per port rate limit configuration.

Command context

```
interface
```

Parameters

ethernet *<port-list>*

To view the rate limit configuration for the specified port.

Examples

```
switch(eth-2)# show rate-limit unknown-unicast
```

```
Unknown-Unicast Traffic Rate Limit Maximum %
```

Port	Inbound Limit	Mode
----	+ -----	-----
1	10	kbps
2	10	%
3	Disabled	Disabled
4	Disabled	Disabled
5	Disabled	Disabled
6	Disabled	Disabled
7	Disabled	Disabled
8	Disabled	Disabled
9	Disabled	Disabled
10	Disabled	Disabled
11	Disabled	Disabled
12	Disabled	Disabled
13	Disabled	Disabled
14	Disabled	Disabled
15	Disabled	Disabled
16	Disabled	Disabled
17	Disabled	Disabled
18	Disabled	Disabled

Guaranteed minimum bandwidth (GMB)

GMB provides a method for ensuring that each of a given port's outbound traffic priority queues has a specified minimum consideration for sending traffic out on the link to another device. This can prevent a condition where applications generating lower-priority traffic in the network are frequently or continually "starved" by high volumes of higher-priority traffic. You can configure GMB per-port.

Jumbo frames

The maximum transmission unit (MTU) is the maximum size IP frame the switch can receive for Layer 2 frames inbound on a port. The switch drops any inbound frames larger than the MTU allowed on the port. Ports operating at a minimum of 1 Gbps can accept forward frames of up to 9220 bytes (including four bytes for a VLAN tag) when configured for jumbo traffic. You can enable inbound jumbo frames on a per-VLAN basis. That is, on a VLAN configured for jumbo traffic, all ports belonging to that VLAN and **operating** at a minimum of 1 Gbps allow inbound jumbo frames of up to 9220 bytes.

Operating rules

- **Required port speed:** This feature allows inbound and outbound jumbo frames on ports operating at a minimum of 1 Gbps.
- **GVRP operation:** A VLAN enabled for jumbo traffic cannot be used to create a dynamic VLAN. A port belonging to a statically configured, jumbo-enabled VLAN cannot join a dynamic VLAN.
- **Port adds and moves:** If you add a port to a VLAN that is already configured for jumbo traffic, the switch enables that port to receive jumbo traffic. If you remove a port from a jumbo-enabled VLAN, the switch disables jumbo traffic capability on the port only if the port is not currently a member of another jumbo-enabled VLAN. This same operation applies to port trunks.
- **Jumbo traffic sources:** A port belonging to a jumbo-enabled VLAN can receive inbound jumbo frames through any VLAN to which it belongs, including non-jumbo VLANs. For example, if VLAN 10 (without jumbos enabled) and VLAN 20 (with jumbos enabled) are both configured on a switch, and port 1 belongs to both VLANs, port 1 can receive jumbo traffic from devices on either VLAN. For a method to allow only some ports in a VLAN to receive jumbo traffic, see [Configuring a maximum frame size](#) on page 167.

Jumbo traffic-handling

- HPE does not recommend configuring a voice VLAN to accept jumbo frames. Voice VLAN frames are typically small, and allowing a voice VLAN to accept jumbo frame traffic can degrade the voice transmission performance.
- You can configure the default, primary, and/or (if configured) the management VLAN to accept jumbo frames on all ports belonging to the VLAN.
- When the switch applies the default MTU (1522-bytes including 4 bytes for the VLAN tag) to a VLAN, all ports in the VLAN can receive incoming frames of up to 1522 bytes. When the switch applies the jumbo MTU (9220 bytes including 4 bytes for the VLAN tag) to a VLAN, all ports in that VLAN can receive incoming frames of up to 9220 bytes. A port receiving frames exceeding the applicable MTU drops such frames, causing the switch to generate an Event Log message and increment the "Giant Rx" counter (displayed by `show interfaces <port-list>`).
- The switch allows flow control and jumbo frame capability to co-exist on a port.
- The default MTU is 1522 bytes (including 4 bytes for the VLAN tag). The jumbo MTU is 9220 bytes (including 4 bytes for the VLAN tag).

- When a port is not a member of any jumbo-enabled VLAN, it drops all jumbo traffic. If the port is receiving "excessive" inbound jumbo traffic, the port generates an Event Log message to notify you of this condition. This same condition also increments the switch's "Giant Rx" counter.
- If you do not want all ports in a given VLAN to accept jumbo frames, you can consider creating one or more jumbo VLANs with a membership comprising only the ports you want to receive jumbo traffic. Because a port belonging to one jumbo-enabled VLAN can receive jumbo frames through any VLAN to which it belongs, this method enables you to include both jumbo-enabled and non-jumbo ports within the same VLAN.

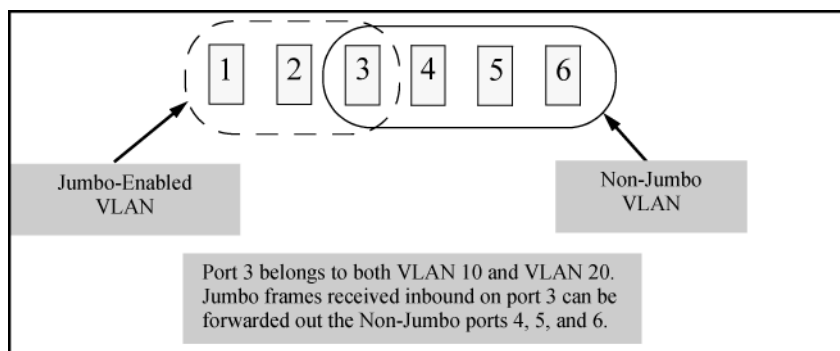
For example, suppose you want to allow inbound jumbo frames only on ports 6, 7, 12, and 13. However, these ports are spread across VLAN 100 and VLAN 200 and also share these VLANs with other ports you want excluded from jumbo traffic. A solution is to create a third VLAN with the sole purpose of enabling jumbo traffic on the desired ports, while leaving the other ports on the switch disabled for jumbo traffic. That is:

	VLAN 100	VLAN 200	VLAN 300
Ports	6-10	11-15	6, 7, 12, and 13
Jumbo-enabled?	No	No	Yes

If there are security concerns with grouping the ports as shown for VLAN 300, you can either use source-port filtering to block unwanted traffic paths or create separate jumbo VLANs, one for ports 6 and 7, and another for ports 12 and 13.

- **Outbound jumbo traffic.** Any port operating at 1 Gbps or higher can transmit outbound jumbo frames through any VLAN, regardless of the jumbo configuration. The VLAN is not required to be jumbo-enabled, and the port is not required to belong to any other, jumbo-enabled VLANs. This can occur in situations where a non-jumbo VLAN includes some ports that do not belong to another, jumbo-enabled VLAN and some ports that do belong to another, jumbo-enabled VLAN. In this case, ports capable of receiving jumbo frames can forward them to the ports in the VLAN that do not have jumbo capability, as shown in **Figure 25: Forwarding jumbo frames through non-jumbo ports** on page 164.

Figure 25: Forwarding jumbo frames through non-jumbo ports



Jumbo frames can also be forwarded out non-jumbo ports when the jumbo frames received inbound on a jumbo-enabled VLAN are routed to another, non-jumbo VLAN for outbound transmission on ports that have no memberships in other, jumbo-capable VLANs. Where either of the above scenarios is a possibility, the downstream device must be configured to accept the jumbo traffic. Otherwise, this traffic will be dropped by the downstream device.

Configuring jumbo frame operation

For detailed information about jumbo frames, see **Jumbo frames** on page 163.

Overview

1. Determine the VLAN membership of the ports or trunks through which you want the switch to accept inbound jumbo traffic. For operation with GVRP enabled, refer to the GVRP topic under “Operating Rules”, above.
2. Ensure that the ports through which you want the switch to receive jumbo frames are operating at least at gigabit speed. (Check the Mode field in the output for the `show interfaces brief <port-list>` command.)
3. Use the `jumbo` command to enable jumbo frames on one or more VLANs statically configured in the switch. (All ports belonging to a jumbo-enabled VLAN can receive jumbo frames.)
4. Execute `write memory` to save your configuration changes to the `startupconfig` file.

Viewing the current jumbo configuration

Syntax:

```
show vlans
```

Lists the static VLANs configured on the switch and includes a Jumbo column to indicate which VLANs are configured to support inbound jumbo traffic. All ports belonging to a jumbo-enabled VLAN can receive jumbo traffic. (For more information, see [Configuring a maximum frame size](#) on page 167.) See Figure **Figure 26: Example: listing of static VLANs to show jumbo status per VLAN** on page 165.

Figure 26: Example: listing of static VLANs to show jumbo status per VLAN

```
HP Switch(config)# show vlans
Status and Counters - VLAN Information

Maximum VLANs to support : 256
Primary VLAN : DEFAULT_VLAN
Management VLAN :
```

VLAN ID	Name	Status	Voice	Jumbo
1	DEFAULT_VLAN	Port-based	No	Yes
5	VLAN5	Port-based	No	No
22	VLAN22	Port-based	No	No

Indicates which static VLANs are configured to enable jumbo frames.

Syntax:

```
show vlans ports <port-list>
```

Lists the static VLANs to which the specified ports belong, including the `Jumbo` column to indicate which VLANs are configured to support jumbo traffic.

Entering only one port in `<port-list >` results in a list of all VLANs to which that port belongs.

Entering multiple ports in `<port-list >` results in a superset list that includes the VLAN memberships of all ports in the list, even though the individual ports in the list may belong to different subsets of the complete VLAN listing.

Example:

If port 1 belongs to VLAN 1, port 2 belongs to VLAN 10, and port 3 belongs to VLAN 15, executing this command with a *port-list* of 1 - 3 results in a listing of all three VLANs, even though none of the ports belong to all three VLANs. (See **Figure 27: Listing the VLAN memberships for a range of ports** on page 166.)

Figure 27: Listing the VLAN memberships for a range of ports

```
HP Switch(config)# show vlans ports A1-A3
Status and Counters - VLAN Information - for ports A1-A3
```

VLAN ID	Name	Status	Voice	Jumbo
1	DEFAULT_VLAN	Port-based	No	Yes
10	VLAN10	Port-based	No	No
15	VLAN15	Port-based	No	No

Indicates which static VLANs are configured to enable jumbo frames.

Syntax:

```
show vlans <vid>
```

Shows port membership and jumbo configuration for the specified *vid*. (See **Figure 28: Example: of listing the port membership and jumbo status for a VLAN** on page 166.)

Figure 28: Example: of listing the port membership and jumbo status for a VLAN

```
HP Switch(config)# show vlan 100
Status and Counters - VLAN Information - VLAN 100
VLAN ID : 100
Name : VLAN100
Status : Port-based Voice : No
Jumbo : No
```

Port	Information Mode	Unknown VLAN	Status
A1	Tagged	Learn	Up
A2	Tagged	Learn	Up
A3	Tagged	Learn	Up
A4	Tagged	Learn	Down
A5	Tagged	Learn	Up

Lists the ports belonging to VLAN 100 and whether the VLAN is enabled for jumbo frame traffic.

Enabling or disabling jumbo traffic on a VLAN

Syntax:

```
vlan <vid> jumbo
```

```
[no] vlan <vid> jumbo
```

Configures the specified VLAN to allow jumbo frames on all ports on the switch that belong to that VLAN. If the VLAN is not already configured on the switch, `vlan <vid> jumbo` also creates the VLAN.

A port belonging to one jumbo VLAN can receive jumbo frames through any other VLAN statically configured on the switch, regardless of whether the other VLAN is enabled for jumbo frames.

The `[no]` form of the command disables inbound jumbo traffic on all ports in the specified VLAN that do not also belong to another VLAN that is enabled for jumbo traffic. In a VLAN context, the command forms are `jumbo` and `no jumbo`.

(Default: Jumbos disabled on the specified VLAN.)

Configuring a maximum frame size

You can globally set a maximum frame size for jumbo frames that will support values from 1518 bytes to 9216 bytes for untagged frames.

Syntax:

```
jumbo max-frame-size <size>
```

Sets the maximum frame size for jumbo frames. The range is from 1518 bytes to 9216 bytes. (Default: 9216 bytes)



The jumbo `max-frame-size` is set on a GLOBAL level.

Default: 9216 bytes

Configuring IP MTU



The following feature is available on the switches covered in this guide. `jumbos` support is required for this feature. On switches that do not support this command, the IP MTU value is derived from the maximum frame size and is not configurable.

You can set the IP MTU globally by entering this command. The value of `max-frame-size` must be greater than or equal to 18 bytes more than the value selected for `ip-mtu`. For example, if `ip-mtu` is set to 8964, the `max-frame-size` is configured as 8982.

Syntax:

```
jumbo ip-mtu <size>
```

Globally sets the IP MTU size. Values range between 1500 and 9198 bytes. This value must be 18 bytes less than the value of `max-frame-size`.

(Default: 9198 bytes)

SNMP implementation

Jumbo maximum frame size

The maximum frame size for jumbos is supported with the following proprietary MIB object:

```
hpSwitchMaxFrameSize OBJECT-TYPE
```

This is the value of the global `max-frame-size` supported by the switch. The default value is set to 9216 bytes.

Jumbo IP MTU

The IP MTU for jumbos is supported with the following proprietary MIB object:

```
hpSwitchIpMTU OBJECT-TYPE
```

This is the value of the global jumbos IP MTU (or L3 MTU) supported by the switch. The default value is set to 9198 bytes (a value that is 18 bytes less than the largest possible maximum frame size of 9216 bytes). This object can be used only in switches that support `max-frame-size` and `ip-mtu` configuration.

Displaying the maximum frame size

Use the `show jumbos` command to display the globally configured untagged maximum frame size for the switch, as shown in the following Example:.

```
switch(config)# show jumbos
```

Jumbos Global Values

```
Configured : MaxFrameSize : 9216   Ip-MTU : 9198
In Use     : MaxFrameSize : 9216   Ip-MTU : 9198
```

For more information about frame size, see [Jumbo frames](#) on page 163.

Operating notes for maximum frame size

- When you set a maximum frame size for jumbo frames, it must be on a global level. You cannot use the `jumbo max-frame-size` command on a per-port or per-VLAN basis.
- The original way to configure jumbo frames remains the same, which is per-VLAN, but you cannot set a maximum frame size per-VLAN.
- Jumbo support must be enabled for a VLAN from the CLI or through SNMP.
- Setting the maximum frame size does not require a reboot.
- When you upgrade to a version of software that supports setting the maximum frame size from a version that did not, the `max-frame-size` value is set automatically to 9216 bytes.
- Configuring a jumbo maximum frame size on a VLAN allows frames up to `max-frame-size` even though other VLANs of which the port is a member are not enabled for jumbo support.

Troubleshooting

A VLAN is configured to allow jumbo frames, but one or more ports drops all inbound jumbo frames

The port may not be operating at a minimum of 1 Gbps on the other switches covered in this guide. Regardless of a port's configuration, if it is actually operating at a speed lower than 1 Gbps for the other switches, it drops inbound jumbo frames. For example, if a port is configured for `Auto` mode (`speed-duplex auto`), but has negotiated a 7 Mbps speed with the device at the other end of the link, the port cannot receive inbound jumbo frames. To determine the actual operating speed of one or more ports, view the `Mode` field in the output for the following command:

```
show interfaces brief <port-list>
```

A non-jumbo port is generating "Excessive undersize/giant frames" messages in the Event Log

The switches can transmit outbound jumbo traffic on any port, regardless of whether the port belongs to a jumbo VLAN. In this case, another port in the same VLAN on the switch may be jumbo-enabled through membership in a different, jumbo-enabled VLAN, and may be forwarding jumbo frames received on the jumbo VLAN to non-jumbo ports.

Overview

Detection of link-flap and taking action on the port is done via fault-finder command at 3 different sensitivity levels (low, medium and high). The configuration in fault-finder for link-flap is a global configuration affecting all ports on the switch. To provide further granularity to link-flap detection and action which provides different link-flap detection and action configuration for each port rather than the same configuration for all ports on the switch. The per-port configuration will supersede the global configuration for fault-finder link-flap.

A configurable option to re-enable ports disabled by link-flap after a waiting period is also been added. The waiting period time is expressed in unit of seconds in the range 0 to 604800. Maximum allowed waiting period is one week. Zero is the default value, meaning that the port will not be re-enabled automatically.



A very important point is the wording of “link-flap” itself – i.e. the word “link”. This condition should be at the link/port-level granular, allowing alerts and actions only on those certain links/ports where the functionality is needed.

Fault-finder link-flap

Syntax

In the config context:

```
[no] fault-finder link-flap [ethernet] PORT-LIST action warn | warn-and-disable SECONDS sensitivity low | medium | high
```

Description

Configures the link-flap on a port. The default value is `warn`.

Options

link-flap

Configure link-flap control.

warn

Log the event only.

warn-and-disable

Log the event and disable the port.

seconds

Re-enable the port after waiting for the specified number of seconds. The default value is 0, which indicates that the port will not be automatically enabled.

sensitivity

Indicate the sensitivity of the link-flap control threshold within a 10-second interval.

- Low indicates 10 link-flaps.
- Medium indicates 6 link-flaps.
- High indicates 3 link-flaps.

Parameters

action

Configure the action taken when a fault is detected.

ethernet *PORT-LIST*

Enable link-flap control on a list of ports.

warn

Warn about faults found.

warn-and-disable

Warn and disable faulty component.

seconds

Configure the number of seconds for which the port remains disabled. A value of 0 means that the port will remain disabled until manually re-enabled.

sensitivity

Configure the fault sensitivity level.

low

Low sensitivity.

medium

Medium sensitivity

high

High sensitivity.

Subcommand Syntax

```
[no] fault-finder link-flap ethernet PORT-LIST
```

Description

To remove the current configuration of link-flap on a port

Usage

Enable a linkFault-Finder check and set parameters for it. These commands may be repeated to enable additional checks. The default sensitivity is medium and the default action is warn.

```
[no] fault-finder all | fault sensitivity low | medium | high action warn | warn-and-disable
```

```
[no] fault-finder broadcast-storm sensitivity low | medium | high action warn | warn-and-disable SECONDS
```

```
[no] fault-finder link-flap sensitivity low | medium | high action warn | warn-and-disable
```

```
[no] fault-finder link-flap PORT-LIST action warn | warn-and-disable SECONDS sensitivity low | medium | high
```

Configure ports for link-flap detection with high sensitivity

Configure ports A1 to A5 for link-flap detection with sensitivity of high (3 flaps over 10s) and to log and disable port for 65535s if the link-flap threshold is exceeded.

```
switch(config)# fault-finder link-flap ethernet A1-A5 action warn-and-disable 65535
sensitivity high
```

Configure ports for link-flap detection with medium sensitivity

Configure ports A8 for link-flap detection with sensitivity of medium (6 flaps over 10s) and to log and disable port if the link-flap threshold is exceeded. User will need to re-enable the port if disabled.

```
switch(config)# fault-finder link-flap ethernet A8 action warn-and-disable 0 sensitivity medium
```

Configure ports for link-flap detection with low sensitivity

Configure ports A22 for link-flap detection with sensitivity of low (10 flaps over 10s) and to log if the link-flap threshold is exceeded

```
switch(config)# fault-finder link-flap ethernet A22 action warn sensitivity low
```

Disable link-flap detection

Disable link-flap detection for port A5

```
switch(config)# no fault-finder link-flap ethernet A5
```

Show fault-finder link-flap

Syntax

```
show fault-finder link-flap ethernet PORT-LIST
```

Description

Display the link-flap control configuration.

Show fault-finder link-flap

```
switch# show fault-finder link-flap A1
```

Port	Link Flap	Port Status	Sensitivity	Action	Disable Timer	Disable Time Left
A1	Yes	Down	Low	warn-and-disable	65535	45303

```
switch# show fault-finder link-flap
```

Port	Link Flap	Port Status	Sensitivity	Action	Disable Timer	Disable Time Left
------	-----------	-------------	-------------	--------	---------------	-------------------

A1	Yes	Down	Low	warn-and-disable	65535	45303	
A5	No	Up	None	None	-	-	
A22	Yes	Down	Low	warn-and-disable	-	-	
A23	Yes	Down	High	warn-and-disable	100	-	



This example displays only the list of ports configured via the above per-port config commands, does not include the global configuration ports.

Event Log

Cause

Message	Cause
FFI: port <ID>- Excessive link state transitions.	Link-flap is detected by fault-finder per the sensitivity configured.
FFI: port <ID>- Excessive link state transitions.FFI: port <ID>-Port disabled by Fault-finder.FFI: port <ID>-Administrator action is required to re-enable.ports: Fault-finder (71) has disabled port <ID>.ports: port <ID> is now offline.vlan: VLAN<VLAN-ID> virtual LAN is disabled.	Link-flap is detected and the action is to disable the port with no disable timer.
FFI: port <ID>- Excessive link state transitions.FFI: port <ID>-Port disabled by Fault-finder.ports: Fault-finder(71) has disabled port <ID> for <SECONDS> seconds.ports: port <ID> is now off-line.vlan: VLAN<VLAN-ID> virtual LAN is disabled.	Link-flap is detected and the action is to disable the port with disable timer.
port <ID> timer (71) has expired.ports: port <ID> is now on-line.vlan: VLAN<VLAN-ID> virtual LAN is enabled.	The port is enabled when the disable timer expires.

Restrictions

- Per port configuration for options – link-flap only. Global settings for other options.
- No support for menu interface.
- No support for Web UI.
- No support for trunks.

Current default traps

The default event scenarios for currently generated traps on ArubaOS-Switches are:

- Device cold start notifications
- Device warm start notifications
- Port down notifications
- Port up notifications
- Authentication failure notifications
- Enterprise change notifications
- Intrusion alarm notifications

Event scenario matrix

Different event scenarios for which traps are generated:

Event Id	Severity	Action	Message
68	Info	Slot Insertion	I 06/20/16 09:18:43 00068 chassis: AM1: Slot C Inserted
67	Info	Slot Removal	I 06/20/16 09:18:50 00067 chassis: AM1: Slot C Removed
405	Info	Transceiver Insertion	I 06/20/16 09:18:56 00405 ports: AM1: port A23 xcvr hot-swap insert
406	Info	Transceiver Removal	I 06/20/16 09:19:04 00406 ports: AM1: port A23 xcvr hot-swap remove
552	Warning	Stacking module Insertion	W 04/20/16 09:20:43 00552 chassis: ST1-CMDR: Stacking Module insertion detected: Reboot required
552	Warning	Stacking module Removal	W 06/20/16 09:19:43 00552 chassis: ST1-CMDR: Stacking Module removal detected: Reboot required

Enabling and disabling traps

Action	Command
Disable both the log and trap	<code>setMib eventType.<event_Id> -i 1 -</code> to disable both log & Trap
Enable log only	<code>setMib eventType.<event_Id> -i 2 -</code> to allow only log
Enable both the log and trap (Default)	<code>setMib eventType.<event_Id> -i 4 -</code> to allow both log & Trap
Enable trap only	<code>setMib eventType.<event_Id> -i 3 -</code> to allow only trap



If the event is configured to disable a trap, then the trap will not be sent for that particular event. In all other scenarios, a trap is generated for the listed events.

SNMP trap captures examples

Inserting a slot module

Event Id: 68

The screenshot shows a Wireshark capture of an SNMP trap. The packet list table is as follows:

No.	Time	Source	Destination	Protocol	Length	Info
1	0.000000	10.1.1.1	10.1.1.2	SNMP	162	trap iso.3.6.1.4.1.11.2.3.7.11.160 1.3.6.1.2.1.16.9.1.1.2.68
4	7.288213	10.1.1.1	10.1.1.2	SNMP	161	trap iso.3.6.1.4.1.11.2.3.7.11.160 1.3.6.1.2.1.16.9.1.1.2.67
8	13.808481	10.1.1.1	10.1.1.2	SNMP	176	trap iso.3.6.1.4.1.11.2.3.7.11.160 1.3.6.1.2.1.16.9.1.1.2.405
10	21.280022	10.1.1.1	10.1.1.2	SNMP	176	trap iso.3.6.1.4.1.11.2.3.7.11.160 1.3.6.1.2.1.16.9.1.1.2.406

The details pane for the first trap (Frame 1) shows:

- Frame 1: 162 bytes on wire (1296 bits), 162 bytes captured (1296 bits)
- Ethernet II, Src: HewlettP_3f:4d:00 (3c:a8:2a:3f:4d:00), Dst: Vmware_bd:79:7b (00:50:56:bd:79:7b)
- Internet Protocol Version 4, Src: 10.1.1.1, Dst: 10.1.1.2
- User Datagram Protocol, Src Port: 161 (161), Dst Port: 162 (162)
- Simple Network Management Protocol

The raw packet bytes at the bottom show the trap message structure, including the community string 'public' and the trap type '0068' (Slot C Insert).

Removing a slot module

Event Id: 67

trap_details

File Edit View Go Capture Analyze Statistics Telephony Wireless Tools Help

snmp && icmp

No.	Time	Source	Destination	Protocol	Length	Info
1	0.000000	10.1.1.1	10.1.1.2	SNMP	162	trap iso.3.6.1.4.1.11.2.3.7.11.160 1.3.6.1.2.1.16.9.1.1.2.68
4	7.288213	10.1.1.1	10.1.1.2	SNMP	161	trap iso.3.6.1.4.1.11.2.3.7.11.160 1.3.6.1.2.1.16.9.1.1.2.67
8	13.808481	10.1.1.1	10.1.1.2	SNMP	176	trap iso.3.6.1.4.1.11.2.3.7.11.160 1.3.6.1.2.1.16.9.1.1.2.405
10	21.280022	10.1.1.1	10.1.1.2	SNMP	176	trap iso.3.6.1.4.1.11.2.3.7.11.160 1.3.6.1.2.1.16.9.1.1.2.406

Frame 4: 161 bytes on wire (1288 bits), 161 bytes captured (1288 bits)
 Ethernet II, Src: HewlettP_3f:4d:00 (3c:a8:2a:3f:4d:00), Dst: Vmware_bd:79:7b (00:50:56:bd:79:7b)
 Internet Protocol Version 4, Src: 10.1.1.1, Dst: 10.1.1.2
 User Datagram Protocol, Src Port: 161 (161), Dst Port: 162 (162)
 Simple Network Management Protocol

```

0000 00 50 56 bd 79 7b 3c a8 2a 3f 4d 00 08 00 45 00 .PV.y{<. *?M...E.
0010 00 93 02 a4 00 00 40 11 61 b2 0a 01 01 01 0a 01 .....@. a.....
0020 01 02 00 a1 00 a2 00 7f 91 d3 30 75 02 01 00 04 ..... ..0u....
0030 06 70 75 62 6c 69 63 a4 68 06 0c 2b 06 01 04 01 ..public. h..+....
0040 0b 02 03 07 0b 81 20 40 04 0a 01 01 01 02 01 06 ..... @ .....
0050 02 01 02 43 03 0b bd 3c 30 47 30 45 06 0b 2b 06 ...C...< 0G0E..+
0060 01 02 01 10 09 01 01 02 43 04 36 49 20 30 36 2f ..... C.GI 06/
0070 32 30 2f 31 36 20 30 39 3a 31 38 3a 35 30 20 30 20/16 09 :18:50 0
0080 30 30 36 37 20 63 68 61 73 73 69 73 3a 20 41 4d 0067 cha ssis: AM
0090 31 3a 20 53 6c 6f 74 20 43 20 52 65 6d 6f 76 65 1: Slot C Remove
00a0 64 d
  
```

Internet Control Message Protocol: Protocol | Packets: 11 · Displayed: 4 (36.4%) · Load time: 0:0.120 | Profile: Default

Inserting transceiver

Event Id: 405

trap_details

File Edit View Go Capture Analyze Statistics Telephony Wireless Tools Help

snmp && icmp

No.	Time	Source	Destination	Protocol	Length	Info
1	0.000000	10.1.1.1	10.1.1.2	SNMP	162	trap iso.3.6.1.4.1.11.2.3.7.11.160 1.3.6.1.2.1.16.9.1.1.2.68
4	7.288213	10.1.1.1	10.1.1.2	SNMP	161	trap iso.3.6.1.4.1.11.2.3.7.11.160 1.3.6.1.2.1.16.9.1.1.2.67
8	13.808481	10.1.1.1	10.1.1.2	SNMP	176	trap iso.3.6.1.4.1.11.2.3.7.11.160 1.3.6.1.2.1.16.9.1.1.2.405
10	21.280022	10.1.1.1	10.1.1.2	SNMP	176	trap iso.3.6.1.4.1.11.2.3.7.11.160 1.3.6.1.2.1.16.9.1.1.2.406

Frame 8: 176 bytes on wire (1408 bits), 176 bytes captured (1408 bits)
 Ethernet II, Src: HewlettP_3f:4d:00 (3c:a8:2a:3f:4d:00), Dst: Vmware_bd:79:7b (00:50:56:bd:79:7b)
 Internet Protocol Version 4, Src: 10.1.1.1, Dst: 10.1.1.2
 User Datagram Protocol, Src Port: 161 (161), Dst Port: 162 (162)
 Simple Network Management Protocol

```

0000 00 50 56 bd 79 7b 3c a8 2a 3f 4d 00 08 00 45 00 .PV.y{<. *?M...E.
0010 00 a2 02 a6 00 00 40 11 61 a1 0a 01 01 01 0a 01 .....@. a.....
0020 01 02 00 a1 00 a2 00 8e ab 20 30 81 83 02 01 00 ..... . 0.....
0030 04 06 70 75 62 6c 69 63 a4 76 06 0c 2b 06 01 04 ..public. v..+....
0040 01 0b 02 03 07 0b 81 20 40 04 0a 01 01 01 02 01 06 ..... @ .....
0050 06 02 01 02 43 03 0b bf c8 30 55 30 53 06 0c 2b .....C... 0U0S..+
0060 06 01 02 01 10 09 01 01 02 83 15 04 43 49 20 30 ..... ....CI 0
0070 36 2f 32 30 2f 31 36 20 30 39 3a 31 38 3a 35 36 6/20/16 09:18:56
0080 20 30 30 34 30 35 20 70 6f 72 74 73 3a 20 41 4d 00405 p orts: AM
0090 31 3a 20 70 6f 72 74 20 41 32 33 20 78 63 76 72 1: port A23 xcvr
00a0 20 68 6f 74 2d 73 77 61 70 20 69 6e 73 65 72 74 hot-swa p insert
  
```

Internet Control Message Protocol: Protocol | Packets: 11 · Displayed: 4 (36.4%) · Load time: 0:0.120 | Profile: Default

Removing a transceiver

trap_details

File Edit View Go Capture Analyze Statistics Telephony Wireless Tools Help

snmp && icmp

No.	Time	Source	Destination	Protocol	Length	Info
1	0.000000	10.1.1.1	10.1.1.2	SNMP	162	trap iso.3.6.1.4.1.11.2.3.7.11.160 1.3.6.1.2.1.16.9.1.1.2.68
4	7.288213	10.1.1.1	10.1.1.2	SNMP	161	trap iso.3.6.1.4.1.11.2.3.7.11.160 1.3.6.1.2.1.16.9.1.1.2.67
8	13.808481	10.1.1.1	10.1.1.2	SNMP	176	trap iso.3.6.1.4.1.11.2.3.7.11.160 1.3.6.1.2.1.16.9.1.1.2.405
10	21.280022	10.1.1.1	10.1.1.2	SNMP	176	trap iso.3.6.1.4.1.11.2.3.7.11.160 1.3.6.1.2.1.16.9.1.1.2.406

▶ Frame 10: 176 bytes on wire (1408 bits), 176 bytes captured (1408 bits)
 ▶ Ethernet II, Src: HewlettP_3f:4d:00 (3c:a8:2a:3f:4d:00), Dst: Vmware_bd:79:7b (00:50:56:bd:79:7b)
 ▶ Internet Protocol Version 4, Src: 10.1.1.1, Dst: 10.1.1.2
 ▶ User Datagram Protocol, Src Port: 161 (161), Dst Port: 162 (162)
 ▶ Simple Network Management Protocol

```

0000 00 50 56 bd 79 7b 3c a8 2a 3f 4d 00 08 00 45 00 .PV.y{<. *?M...E.
0010 00 a2 02 a7 00 00 40 11 61 a0 0a 01 01 01 0a 01 .....@. a.....
0020 01 02 00 a1 00 a2 00 8e bc 2c 30 81 83 02 01 00 ..... ,0.....
0030 04 06 70 75 62 6c 69 63 a4 76 06 0c 2b 06 01 04 ..public .v.+...
0040 01 0b 02 03 07 0b 81 20 40 04 0a 01 01 01 02 01 ..... @.....
0050 06 02 01 02 43 03 0b c2 b3 30 55 30 53 06 0c 2b ....C... .0U0S.+
0060 06 01 02 01 10 09 01 01 02 83 16 04 43 49 20 30 ..... ..CI 0
0070 36 2f 32 30 2f 31 36 20 30 39 3a 31 39 3a 30 34 6/20/16 09:19:04
0080 20 30 30 34 30 36 20 70 6f 72 74 73 3a 20 41 4d 00406 p orts: AM
0090 31 3a 20 70 6f 72 74 20 41 32 33 20 78 63 76 72 1: port A23 xcvr
00a0 20 68 6f 74 2d 73 77 61 70 20 72 65 6d 6f 76 65 hot-swa p remove
  
```

Internet Control Message Protocol: Protocol | Packets: 11 · Displayed: 4 (36.4%) · Load time: 0:0.120 | Profile: Default

Inserting a stack-module

trap1

File Edit View Go Capture Analyze Statistics Telephony Wireless Tools Help

snmp && icmp

No.	Time	Source	Destination	Protocol	Length	Info
2	21.473051	10.1.1.1	10.1.1.2	SNMP	129	trap iso.3.6.1.4.1.11.2.3.7.11.161 1.3.6.1.2.1.16.9.1.1.2.76
4	21.473091	10.1.1.1	10.1.1.2	SNMP	129	trap iso.3.6.1.4.1.11.2.3.7.11.161 1.3.6.1.2.1.16.9.1.1.2.76
6	21.473099	10.1.1.1	10.1.1.2	SNMP	130	trap iso.3.6.1.4.1.11.2.3.7.11.161 1.3.6.1.2.1.16.9.1.1.2.77
8	21.473104	10.1.1.1	10.1.1.2	SNMP	90	trap iso.3.6.1.4.1.11.2.3.7.11.161
13	52.721514	10.1.1.1	10.1.1.2	SNMP	211	trap iso.3.6.1.4.1.11.2.3.7.11.161 1.3.6.1.2.1.16.9.1.1.2.552
16	73.229525	10.1.1.1	10.1.1.2	SNMP	213	trap iso.3.6.1.4.1.11.2.3.7.11.161 1.3.6.1.2.1.16.9.1.1.2.552

▶ Frame 16: 213 bytes on wire (1704 bits), 213 bytes captured (1704 bits)
 ▶ Ethernet II, Src: HewlettP_9d:a7:00 (d4:c9:ef:9d:a7:00), Dst: Vmware_b4:80:5e (00:50:56:b4:80:5e)
 ▶ Internet Protocol Version 4, Src: 10.1.1.1, Dst: 10.1.1.2
 ▶ User Datagram Protocol, Src Port: 161 (161), Dst Port: 162 (162)
 ▶ Simple Network Management Protocol

```

0000 00 50 56 b4 80 5e d4 c9 ef 9d a7 00 08 00 45 00 .PV..^.. .....E.
0010 00 c7 00 a4 00 00 40 11 63 7e 0a 01 01 01 0a 01 .....@. c.....
0020 01 02 00 a1 00 a2 00 b3 78 f3 30 81 a8 02 01 00 ..... x.0.....
0030 04 06 70 75 62 6c 69 63 a4 81 9a 06 0c 2b 06 01 ..public .....+
0040 04 01 0b 02 03 07 0b 81 21 40 04 0a 01 01 01 02 ..... !@.....
0050 01 06 02 01 02 43 03 00 df 5e 30 79 30 77 06 0c .....C... ^0y0w..
0060 2b 06 01 02 01 10 09 01 01 02 84 28 04 67 57 20 +..... ..(.gW
0070 30 36 2f 32 37 2f 31 36 20 31 32 3a 30 35 3a 31 06/27/16 12:05:1
0080 38 20 30 30 35 35 32 20 63 68 61 73 73 69 73 3a 8 00552 chassis:
0090 20 41 4d 31 3a 20 53 74 61 63 6b 69 6e 67 20 4d AM1: St acking M
00a0 6f 64 75 6c 65 20 69 6e 73 65 72 74 69 6f 6e 20 odule in sertion
00b0 64 65 74 65 63 74 65 64 3a 0a 20 20 20 20 20 detected :.
00c0 20 20 20 20 20 52 65 62 6f 6f 74 20 72 65 71 Re boot req
00d0 75 69 72 65 64 uired
  
```

Internet Control Message Protocol: Protocol | Packets: 19 · Displayed: 6 (31.6%) · Load time: 0:0.10 | Profile: Default

There are three fan types:

- Power supply fans
- Fan-tray fans
- Stacking switch fans

show system

Syntax

```
show system [chassislocate | information | temperature]
```

Description

Shows global system information and operational parameters for the switch.

Command context

manager and operator

Parameters

chassislocate

Shows the chassis locator LED status. Possible values are ON, Off, and Blink. When the status is On or Blink, the number of minutes that the Locator LED will continue to be on or to blink is displayed.

information

Displays global system information and operational parameters for the switch.

temperature

Shows system temperature and settings.

Usage

- To show system fans, see [show system fans](#)
- To show chassis power supply and settings, see [show system power-supply](#)
- To show system fans for VSF members, see [show system fans vsf](#)

Examples

Locating the system chassis by LED blink using the `show system chassislocate` command.

```

HP Switch(config)# show system chassislocate
Chassis Locator LED: ON 5 minutes 5 seconds

HP Switch(config)# show system chassislocate
Chassis Locator LED: BLINK 10 minutes 6 seconds

HP Switch(config)# show system chassislocate
Chassis Locator LED: OFF

```

Showing the general switch system information by using the `show system` command.

```

HP Switch(config)# show system

Status and Counters - General System Information

System Name       : HP Switch Switch
System Contact    :
System Location   :

MAC Age Time (sec) : 300

Time Zone         : 0
Daylight Time Rule : None

Software revision : T.13.XX           Base MAC Addr   : 001635-b57cc0
ROM Version       : K.12.12         Serial Number    : LP621KI005

Up Time           : 51 secs          Memory - Total   : 152,455,616
CPU Util (%)      : 3                Free            : 110,527,264

IP Mgmt - Pkts Rx : 0                Packet - Total   : 6750
          Pkts Tx : 0                Buffers  Free     : 5086
                                          Lowest    : 5086
                                          Missed    : 0

```

show system fans

Syntax

```
show system fans
```

Description

Shows the state, status, and location of system fans.

Command context

manager and operator

Usage

Command can be executed using various command contexts. See examples for use of command context PoEP and VSF.

Examples

The state of all system fans is shown by using the command `show system fans`.

```
switch# show system fans
```

```
Fan Information
```

Num	State	Failures	Location
Fan-1	Fan OK	0	Fan Tray
Fan-2	Fan OK	0	Fan Tray
Fan-3	Fan OK	0	Fan Tray
Fan-4	Fan OK	0	Fan Tray
Fan-5	Fan OK	0	Fan Tray
Fan-6	Fan OK	0	Fan Tray
Fan-7	Fan Removed	0	PS 1
Fan-8	Fan Failed	2	PS 2
Fan-9	Fan OK	0	PS 3
Fan-10	Fan OK	0	PS 4

1 / 10 Fans in Failure State
1 / 10 Fans have been in Failure State

The state of all system fans within the PoEP context is shown by using the command `show system fans`.

```
switch(PoEP)# show system fans
```

Fan Information

Num	State	Failures	Location
Fan-1	Fan OK	0	Chassis
Fan-2	Fan OK	0	Chassis
Fan-3	Fan OK	0	Chassis
Fan-4	Fan Removed	0	PS 1
Fan-5	Fan Failed	2	PS 2

1 / 5 Fans in Failure State
1 / 5 Fans have been in Failure State

The state of all stacked switch system fans is shown by using the command `show system fans` within the stacked context.

```
Switch(stacked)# show system fans
```

Fan Information

Member 1

Num	State	Failures	Location
Sys-1	Fan OK	0	Chassis
Sys-2	Fan OK	0	Chassis
Sys-3	Fan OK	0	Chassis
Sys-4	Fan Removed	0	PS 1
Sys-5	Fan Failed	2	PS 2

0 / 5 Fans in Failure State
0 / 5 Fans have been in Failure State

Member 2

Num	State	Failures	Location
Sys-1	Fan OK	0	Chassis
Sys-2	Fan OK	0	Chassis
Sys-3	Fan OK	0	Chassis
Sys-4	Fan OK	0	PS 1
Sys-5	Fan OK	0	PS 2

0 / 5 Fans in Failure State
0 / 5 Fans have been in Failure State

The state of all VSF switch members system fans is shown by using the command `show system fans` from within the VSF context.

```
VSF-Switch# show system fans
```

```
Fan Information
```

```
VSF-Member 1
```

Num	State	Failures	Location
Sys-1	Fan OK	0	Fan Tray
Sys-2	Fan OK	0	Fan Tray
Sys-3	Fan OK	0	Fan Tray
Sys-4	Fan OK	0	Fan Tray
Sys-5	Fan Removed	0	PS 1
Sys-6	Fan Failed	2	PS 2

```
1 / 6 Fans in Failure State
```

```
1 / 6 Fans have been in Failure State
```

```
VSF-Member 2
```

Num	State	Failures	Location
Sys-1	Fan OK	0	Fan Tray
Sys-2	Fan OK	0	Fan Tray
Sys-3	Fan OK	0	Fan Tray
Sys-4	Fan OK	0	Fan Tray
Sys-5	Fan OK	0	PS 1
Sys-6	Fan OK	0	PS 2

```
0 / 6 Fans in Failure State
```

```
0 / 6 Fans have been in Failure State
```

```
HP-VSF-Switch#
```

show system power-supply

Syntax

```
show system power-supply [detailed | fahrenheit]
```

Description

Shows power supply information in either full detail or full detail in Fahrenheit only. Default temperature is displayed in degrees Celsius.

Command context

manager and operator

Parameters

detailed

Shows detailed switch power supply sensor information.

fahrenheit

Shows detailed switch power supply sensor information with temperatures in degrees Fahrenheit.

Usage

- The `show system power-supply detailed` command shows detailed information for the local power supplies only.
- The `show system power-supply detailed` command shows detailed information for power supplies in the powered state only.

Examples

Use of the command `show system power-supply` shows the power supply status for all active switches.

```
Switch# show system power-supply

Power Supply Status:

PS#      Model      Serial      State      AC/DC + V      Wattage
-----
 1     J9828A     IN30G4D009  Powered    AC 120V/240V    700
 2     J9828A     IN30G4D00C  Powered    AC 120V/240V    700
 3                                     Not Present    -- -----      0
 4     J9830A     IN43G4G05H  Powered    AC 120V/240V   2750

 3 / 4 supply bays delivering power.
Total power: 4150 W
```

Use of the command `show system power-supply detailed` shows the power supply status in detail for all active switches.

```
Switch# show system power-supply detailed

Status and Counters - Power Supply Detailed Information

PS# Model      Serial      State      Status
-----
 1     J9828A     IN30G4D009  Powered    AC Power Consumption : 44 Watts
                                     AC MAIN Voltage      : 209 Volts
                                     Power Supplied        : 31 Watts
                                     Power Capacity       : 700 Watts
                                     Inlet Temp (C/F)     : 27.0C/80.6F
                                     Internal Temp (C/F)  : 30.5C/86.0F
                                     Fan 1 Speed          : 1600 RPM (47%)
                                     Fan 2 Speed          : 1600 RPM (47%)

 2     J9828A     IN30G4D00C  Powered    AC Power Consumption : 46 Watts
                                     AC MAIN Voltage      : 209 Volts
                                     Power Supplied        : 21 Watts
                                     Power Capacity       : 700 Watts
                                     Inlet Temp (C/F)     : 27.7C/80.6F
                                     Internal Temp (C/F)  : 32.5C/89.6F
                                     Fan 1 Speed          : 1600 RPM (47%)
                                     Fan 2 Speed          : 1600 RPM (47%)

 3                                     Not Present

 4     J9830A     IN43G4G05H  Powered    AC Power Consumption : 90 Watts
                                     AC MAIN/AUX Voltage  : 210/118 Volts
                                     Power Supplied        : 16 Watts
                                     Power Capacity       : 2750 Watts
                                     Inlet Temp (C/F)     : 30.9C/86.0F
```

```
Internal Temp (C/F) : 65.6C/149.0F
Fan 1 Speed         : 2000 RPM (37%)
Fan 2 Speed         : 1950 RPM (36%)
```

```
3 / 4 supply bays delivering power.
Currently supplying 68 W / 4150 W total power.
```

Use of the command `show system power-supply fahrenheit` shows the power supply status in Fahrenheit for all active switches.

```
Switch# show system power-supply detailed fahrenheit
```

```
Power Supply Status:
```

Mem	PS#	Model	Serial	State	Status
1	1	J9830A	IN5BGZ81KZ	Powered	Power Consumption : 95 Watts AC MAIN/AUX Voltage : 118/208 Volts Inlet/Internal Temp : 85.6F/87.7F Fan 1 Speed (util) : 1650RPM (20%) Fan 2 Speed (util) : 1600RPM (19%)
1	2	J9829A	IN5BGZ81KX	Powered	Power Consumption : 51 Watts AC Input Voltage : 208 Volts Inlet/Internal Temp : 85.6F/87.7F Fan 1 Speed (util) : 1650RPM (20%) Fan 2 Speed (util) : 1600RPM (19%)
1	3	J9828A	IN5BGZ81KY	Powered	Power Consumption : 43 Watts AC Input Voltage : 119 Volts Inlet/Internal Temp : 85.6F/87.7F Fan 1 Speed (util) : 1650RPM (20%) Fan 2 Speed (util) : 1600RPM (19%)
1	4			Not Present	
2	1	J9830A	IN5BGZ81KZ	Powered	Power Consumption : 95 Watts AC MAIN/AUX Voltage : 118/208 Volts Inlet/Internal Temp : 85.6F/87.7F Fan 1 Speed (util) : 1650RPM (20%) Fan 2 Speed (util) : 1600RPM (19%)
2	2	J9829A	IN5BGZ81KX	Powered	Power Consumption : 51 Watts AC Input Voltage : 208 Volts Inlet/Internal Temp : 85.6F/87.7F Fan 1 Speed (util) : 1650RPM (20%) Fan 2 Speed (util) : 1600RPM (19%)
2	3	J9828A	IN5BGZ81KY	Powered	Power Consumption : 43 Watts AC Input Voltage : 119 Volts Inlet/Internal Temp : 85.6F/87.7F Fan 1 Speed (util) : 1650RPM (20%) Fan 2 Speed (util) : 1600RPM (19%)
2	4			Not Present	

```
6 / 8 supply bays delivering power.
Total Input Power: 378 Watts
```

Use of the command `show system power-supply detailed` shows the power supply status all active switches including a nonpowered J9830A PSU.

```
switch# show system power-supply detailed
```

```
Status and Counters - Power Supply Detailed Information
```

```

PS# Model      Serial      State      Status
-----
1    J9828A    IN30G4D009  Powered    AC Power Consumption : 44 Watts
                                     AC MAIN Voltage      : 209 Volts
                                     Power Supplied       : 31 Watts
                                     Power Capacity       : 700 Watts
                                     Inlet Temp (C/F)     : 27.0C/80.6F
                                     Internal Temp (C/F)  : 30.5C/86.0F
                                     Fan 1 Speed          : 1600 RPM
                                     Fan 2 Speed          : 1600 RPM

2    J9828A    IN30G4D00C  Powered    AC Power Consumption : 46 Watts
                                     AC MAIN Voltage      : 209 Volts
                                     Power Supplied       : 21 Watts
                                     Power Capacity       : 700 Watts
                                     Inlet Temp (C/F)     : 27.7C/80.6F
                                     Internal Temp (C/F)  : 32.5C/89.6F
                                     Fan 1 Speed          : 1600 RPM
                                     Fan 2 Speed          : 1600 RPM

3                                     Not Present

4    J9830A    IN43G4G05H  Aux Not Powered

2 / 4 supply bays delivering power.
Currently supplying 68 W / 4150 W total power.

```

Use of the command `show system power-supply` shows the power supply status all active switches with power supply #2 showing permanent failure.

```
switch# show system power-supply
```

Power Supply Status:

```

PS#   Model      Serial      State      AC/DC + V      Wattage
-----
1     Not Present
2    J9829A    IN30G4D00C  Permanent Failure  AC 120V/240V    1100
3    J9829A    IN30G4D00D  Powered           --
4    J9829A    IN43G4G05H  Powered           AC 120V/240V    1100


3 / 4 supply bays delivering power.
Total power: 3300 W

```

Table 14: Field key for output of `show system power-supply` detailed

Field	Description
AC Power Consumption	Actual power consumed from AC input
AC MAIN/AUX Voltage	Actual voltage measured on AC Input: <ul style="list-style-type: none"> Two voltages are displayed for PS#4, as the J9830A includes two AC input IEC connectors. Most power-supplies contain a single AC Input IEC connector and are labeled MAIN.

Table Continued

Field	Description
Power Supplied	Actual voltage being supplied from the power-supply to the switch for general power and PoE.
Power Capacity	The maximum power that the power-supply can provide to the switch.
Inlet Temp (C/F)	The thermal sensor at the inlet of the power-supply - shown in both Celsius and Fahrenheit
Internal Temp (C/F)	The thermal sensor internal to the power-supply (will vary depending upon the model) - shown in both Celsius and Fahrenheit.  There is no "Output Temperature Sensor" on either the 5400R or 3810M switches.
Fan Speed	Shows the current fan speed in RPM and the percent of total fan speed utilization. For PSUs that contain more than one fan, a separate line will be included for each.
Currently Supplying	A summary of the total power being supplied and the total capacity (same summary as seen on the command <code>show system power-supply</code>).

Fan failures and SNMP traps

Power supply fan-fault

Power supply events indicating an internal fan-fault are reported by SNMP traps issued up to 10 seconds after the corresponding power supply fan fault occurs.

For single event power supply fan faults, a corresponding SNMP trap is issued.

Single event and corresponding SNMP trap issued for a power supply fan-fault and recovery

Shown is a fan-fault (fan 1 of 2) and spontaneous recovery a few seconds after within power supply in bay number 2. The event is issued as informative (I).

```
I 11/30/16 14:01:59 02778 chassis: AM1: Internal power supply 2: Fan 1 OK.
```

Fan-tray fan-fault events

For single event fan-tray fan-faults, the corresponding SNMP traps are issued only for fans within the fan-tray.

Single event and corresponding SNMP trap issued for a fan-tray fan-fault and recovery

Shown is a fan-tray fan-fault (fan number 3) and spontaneous recovery a few seconds after. The event is issued as "Informative" (I).

```
I 11/30/16 14:03:08 00070 chassis: AM1: Fan OK: Fan: 3 Failures: 1
```

Shown is a fan-tray fan-fault (fan number 3) failure. The event is issued as a "Warning" (w).

```
W 11/30/16 14:02:38 00070 chassis: AM1: Fan failure: Fan: 3 Failures: 1
```

Using SNMP tools to manage the switch

SNMP is a management protocol that allows an SNMP client application to retrieve device configuration and status information and to configure the device (**get** and **set**). You can manage the switch via SNMP from a network management station.

To implement SNMP management, the switch must have an IP address configured either manually or dynamically (using DHCP or Bootp). If multiple VLANs are configured, each VLAN interface should have its own IP address. For DHCP use with multiple VLANs, see section "The Primary VLAN" in the "Static Virtual LANs (VLANs)" of the advanced traffic management guide for your switch.



If you use the switch's Authorized IP Managers and Management VLAN features, ensure that the SNMP management station, the choice of switch port used for SNMP access to the switch, or both, are compatible with the access controls enforced by these features. Otherwise, SNMP access to the switch will be blocked.

For more information on Authorized IP Managers, see the access security guide for your switch. (The latest version of this guide is available on the HPE Networking website.) For information on the Management VLAN feature, see the section "The Secure Management VLAN" in the "Static Virtual LANs (VLANs)" chapter of the advanced traffic management guide for your switch.

SNMP management features

SNMP management features on the switch include:

- SNMP version 1, version 2c, or version 3 over IP
- Security via configuration of SNMP communities (**SNMPv3 communities** on page 193)
- Security via authentication and privacy for SNMPv3 access
- Event reporting via SNMP
 - Version 1 traps
 - RMON: groups 1, 2, 3, and 9
- Flow sampling using sFlow
- Standard MIBs, such as the Bridge MIB (RFC 1493), Ethernet MAU MIB (RFC 1515), and others.

The switch SNMP agent also uses certain variables that are included in an HPE proprietary MIB (management information base) file.

1. Type a model number of your switch (For example, 8212) or product number in the **Auto Search** text box.
2. Select an appropriate product from the drop down list.
3. Click the Display selected button.

4. From the options that appear, select Software downloads.
5. MIBs are available with switch software in the Other category.

Click on `software updates`, then `MIBs`.

SNMPv1 and v2c access to the switch

SNMP access requires an IP address and subnet mask configured on the switch. If you are using DHCP/Bootp to configure the switch, ensure that the DHCP/Bootp process provides the IP address.

Once an IP address is configured, the main steps for configuring SNMPv1 and v2c access management features are:

Procedure

1. Configure the appropriate SNMP communities. (See [SNMPv3 communities](#) on page 193.)
2. Configure the appropriate trap receivers.

In some networks, authorized IP manager addresses are not used. In this case, all management stations using the correct community name may access the switch with the View and Access levels that have been set for that community. If you want to restrict access to one or more specific nodes, you can use the switch's IP Authorized Manager feature. (See the access security guide for your switch.)



If network management security is a concern, Hewlett Packard Enterprise recommends that you change the write access for the "public" community to "Restricted."

SNMPv3 access to the switch

SNMPv3 access requires an IP address and subnet mask configured on the switch. (See "IP Configuration" on page 8-2.) If you are using DHCP/Bootp to configure the switch, ensure that the DHCP/Bootp process provides the IP address. (See "DHCP/Bootp Operation".)

Once you have configured an IP address, the main steps for configuring SNMPv3 access management features are the following:

Procedure

1. Enable SNMPv3 for operation on the switch (see [Enabling SNMPv3](#) on page 188).
2. Configure the appropriate SNMP users (see [SNMPv3 users](#) on page 189).
3. Configure the appropriate SNMP communities (see [SNMPv3 communities](#) on page 193).
4. Configure the appropriate trap receivers (see [SNMP notifications](#) on page 196).

In some networks, authorized IP manager addresses are not used. In this case, all management stations using the correct User and community name may access the switch with the View and Access levels that have been set for that community. If you want to restrict access to one or more specific nodes, you can use the IP Authorized Manager feature for the switch. (See the access security guide for your switch.)

SNMP version 3 (SNMPv3) adds some new commands to the CLI for configuring SNMPv3 functions. To enable SNMPv3 operation on the switch, use the `snmpv3 enable` command. An initial user entry will be generated with MD5 authentication and DES privacy.

You may (optionally) restrict access to only SNMPv3 agents by using the `snmpv3 only` command. To restrict write-access to only SNMPv3 agents, use the `snmpv3 restricted-access` command.



Restricting access to only version 3 messages will make the community named “public” inaccessible to network management applications (such as autodiscovery, traffic monitoring, SNMP trap generation, and threshold setting) from operating in the switch.

Enabling and disabling switch for access from SNMPv3 agents

This includes the creation of the initial user record.

Syntax:

```
[no] snmpv3 enable
```

Enabling or disabling restrictions to access from only SNMPv3 agents

When enabled, the switch rejects all non-SNMPv3 messages.

Syntax:

```
[no] snmpv3 only
```

Enabling or disabling restrictions from all non-SNMPv3 agents to read-only access

Syntax:

```
[no] snmpv3 restricted-access
```

Viewing the operating status of SNMPv3

Syntax:

```
show snmpv3 enable
```

Viewing status of message reception of non-SNMPv3 messages

Syntax:

```
show snmpv3 only
```

Viewing status of write messages of non-SNMPv3 messages

Syntax:

```
show snmpv3 restricted-access
```

Enabling SNMPv3

The `snmpv3 enable` command allows the switch to:

- Receive SNMPv3 messages.
- Configure initial users.
- Restrict non-version 3 messages to "read only" (optional).



Restricting access to only version 3 messages makes the community named "public" inaccessible to network management applications (such as autodiscovery, traffic monitoring, SNMP trap generation, and threshold setting) from running on the switch.

Example:

SNMP version 3 enable command

```
HP Switch(config)# snmpv3 enable
SHMPv3 Initialization process.
Creating user 'initial'
Authentication Protocol: MD5
Enter authentication password: *****
Privacy protocol is DES
Enter privacy password: *****

User 'initial' is created
Would you like to create a user that uses SHA? y
Enter user name: templateSHA
Authentication Protocol: SHA
Enter authentication password: *****
Privacy protocol is DES
Enter privacy password: *****

User creation is done. SHMPv3 is now functional.
Would you like to restrict SHMPv1 and SNMPv2c messages to have read only
access (you can set this later by the command 'snmp restrict-access'): n
```

Enable SNMPv3

Create initial user models for SNMPv3 Management Applications

Set restriction on non-SNMPv3 messages

SNMPv3 users



To create new users, most SNMPv3 management software requires an initial user record to clone. The initial user record can be downgraded and provided with fewer features, but not upgraded by adding new features. For this reason, Hewlett Packard Enterprise recommends that when you enable SNMPv3, you also create a second user with SHA authentication and DES privacy.

To use SNMPv3 on the switch, you must configure the users that will be assigned to different groups:

Procedure

1. Configure users in the User Table with the `snmpv3 user` command.
To view the list of configured users, enter the `show snmpv3 user` command (see [Adding users](#) on page 190)
2. Assign users to Security Groups based on their security model with the `snmpv3 group` command (see [Assigning users to groups \(CLI\)](#) on page 191).



If you add an SNMPv3 user without authentication, privacy, or both, to a group that requires either feature, the user will not be able to access the switch. Ensure that you add a user with the appropriate security level to an existing security group.

Adding users

To configure an SNMPv3 user, you must first add the user name to the list of known users with the `snmpv3 user` command, as shown in **Figure 29: Adding SNMPv3 users and displaying SNMPv3 configuration** on page 190.

Figure 29: Adding SNMPv3 users and displaying SNMPv3 configuration

```
HP Switch(config)# snmpv3 user NetworkAdmin
HP Switch(config)# snmpv3 user NetworkMgr auth md5 authpass priv privpass
HP Switch(config)# show snmpv3 user
```

Status and Counters - SNMP v3 Global Configuration Information

User Name	Auth. Protocol	Privacy Protocol
initial	MD5	CFB AES-128
NetworkAdmin	MD5	CBC-DES

SNMPv3 user commands

Syntax:

```
[no] snmpv3 user <USER_NAME> [auth md5|sha] <AUTH_PASS> [priv des|aes] <PRIV_PASS>
```

```
[no] snmpv3 remote-engine-id <engineid> user <username> [auth {md5| sha} <authentication password>] [priv {des|aes} <privacy password>]
```

Parameters and options

no

Used to delete a user entry. When you delete a user, only the user name is required.

<AUTH_PASS>

With authorization, you can set either MD5 or SHA authentication. The authentication password `auth_pass` must be 6 to 32 characters and is mandatory when you configure authentication.

priv des|aes

With privacy, the switch supports DES (56-bit) and AES (128-bit) encryption. Defaults to DES. Only AES 128-bit and DES 56-bit encryption are supported as privacy protocols. Other non-standard encryption algorithms, such as AES-172, AES-256, and 3-DES are not supported.

<PRIV_PASS>

The privacy password `priv_pass` must be 6 to 32 characters and is mandatory when you configure privacy.

remote-engine-id <engineid>

Sets the SNMPv3 remote engine ID in colon-separated hexadecimal notation.

Listing Users

To display the management stations configured to access the switch with SNMPv3 and view the authentication and privacy protocols that each station uses, enter the `show snmpv3 user` command.

Syntax:

```
show snmpv3 user
```

Display of the management stations configured on VLAN 1 on page 191 displays information about the management stations configured on VLAN 1 to access the switch.

Display of the management stations configured on VLAN 1

```
switch# configure terminal
switch(config)# vlan 1
switch(vlan-1)# show snmpv3 user
```

Status and Counters - SNMPv3 Global Configuration Information

User Name	Auth. Protocol	Privacy Protocol
initial	MD5	CFB AES-128
NetworkAdmin	MD5	CBC-DES

Assigning users to groups (CLI)

Next you must set the group access level for the user by assigning the user to a group. This is done with the `snmpv3 group` command, as shown in **Figure 30: Example: of assigning users to groups** on page 191. For more details on the MIBs access for a given group, see **Group access levels** on page 192.

Figure 30: Example: of assigning users to groups

```
Switch(config)# snmpv3 group operatornoauth user NetworkAdmin sec-model ver3
Switch(config)# snmpv3 group managerpriv user NetworkMgr sec-model ver3
Switch(config)# show snmpv3 group
```

Status and Counters - SNHP v3 Global Configuration Information

Security Name	Security Model	Group Name
CommunityManagerReadOnly	ver1	ComManagerR
CommunityManagerReadWrite	ver1	ComManagerRW
CommunityOperatorReadOnly	ver1	ComOperatorRW
CommunityOperatorReadWrite	ver1	ComOperatorRW
CommunityManagerReadOnly	ver2c	ComManagerR
CommunityManagerReadWrite	ver2c	ComManagerRW
CommunityOperatorReadOnly	ver2c	ComOperatorRW
CommunityOperatorReadWrite	ver2c	ComOperatorRW
NetworkMgr	ver3	ManagerPriv
NetworkAdmin	ver3	OperatorNoAuth

Syntax:

```
[no] snmpv3 group
```

Assigns or removes a user to a security group for access rights to the switch. To delete an entry, all of the following three parameters must be included in the command:

<code>group <group_name></code>	Identifies the group that has the privileges that will be assigned to the user. For more details, see Group access levels on page 192.
<code>user <user_name></code>	Identifies the user to be added to the access group. This must match the user name added with the <code>snmpv3 user</code> command.
<code>sec-model {<ver1 ver2c ver3></code>	Defines which security model to use for the added user. An SNMPv3 access group should use only the ver3 security model.

Group access levels

The switch supports eight predefined group access levels, shown in the following table. There are four levels for use by version 3 users and four are used for access by version 2c or version 1 management applications.

Table 15: Predefined group access levels

Group name	Group access type	Group read view	Group write view
managerpriv	Ver3 Must have Authentication and Privacy	ManagerReadView	ManagerWriteView
managerauth	Ver3 Must have Authentication	ManagerReadView	ManagerWriteView
operatorauth	Ver3 Must have Authentication	OperatorReadView	DiscoveryView
operatornoauth	Ver3 No Authentication	OperatorReadView	DiscoveryView
commanagerrw	Ver2c or Ver1	ManagerReadView	ManagerWriteView
commanagerr	Ver2c or Ver1	ManagerReadView	DiscoveryView
comoperatorrw	Ver2c or Ver1	OperatorReadView	OperatorReadView
comoperatorr	Ver2c or Ver1	OperatorReadView	DiscoveryView

Each view allows you to view or modify a different set of MIBs:

- **Manager Read View** – access to all managed objects
- **Manager Write View** – access to all managed objects except the following:
 - vacmContextTable
 - vacmAccessTable
 - vacmViewTreeFamilyTable
- **OperatorReadView** – no access to the following:
 - icfSecurityMIB
 - hpSwitchIpTftpMode
 - vacmContextTable

- vacmAccessTable
 - vacmViewTreeFamilyTable
 - usmUserTable
 - snmpCommunityTable
- **Discovery View** – Access limited to samplingProbe MIB.



All access groups and views are predefined on the switch. There is no method to modify or add groups or views to those that are predefined on the switch.

SNMPv3 communities

SNMP communities are supported by the switch to allow management applications that use version 2c or version 1 to access the switch. The communities are mapped to Group Access Levels that are used for version 2c or version 1 support. This mapping happens automatically based on the communities access privileges, but special mappings can be added with the `snmpv3 community` command (see [Mapping SNMPv3 communities \(CLI\)](#) on page 193).

Mapping SNMPv3 communities (CLI)

SNMP communities are supported by the switch to allow management applications that use version 2c or version 1 to access the switch. For more details, see [SNMPv3 communities](#) on page 193.

Syntax:

```
[no] snmpv3 community
```

Maps or removes a mapping of a community name to a group access level. To remove a mapping you need to specify only the `index_name` parameter.

<code>index <index_name></code>	An index number or title for the mapping. The values of 1 to 5 are reserved and can not be mapped.
<code>name <community_name></code>	The community name that is being mapped to a group access level.
<code>sec-name <security_name></code>	The group level to which the community is being mapped.
<code>tag <tag_value></code>	This is used to specify which target address may have access by way of this index reference.

Example:

Figure 31: Assigning a community to a group access level on page 194 shows the assigning of the Operator community on MgrStation1 to the CommunityOperatorReadWrite group. Any other Operator has an access level of CommunityOperatorReadOnly.

Figure 31: Assigning a community to a group access level

```

Add mapping to allow write access for
Operator community on MgrStation1
HP Switch(config)# snmpv3 Community index 30 name Operator sec-name
CommunityManagerReadWrite tag MgrStation1
HP Switch(config)# show snmpv3 community

snmpCommunityTable [rfc2576]

Index Name          Community Name      Security Name
-----
1                  public             CommunityManagerReadWrite
2                  Operator           CommunityOperatorReadOnly
3                  Manager            CommunityManagerReadWrite
30                 Operator           CommunityManagerReadWrite
  
```

SNMP community features

Use SNMP communities to restrict access to the switch by SNMP management stations by adding, editing, or deleting SNMP communities. You can configure up to five SNMP communities, each with either an operator-level or a manager-level view and either restricted or unrestricted write access.

Using SNMP requires that the switch have an IP address and subnet mask compatible with your network.

Viewing and configuring non-version-3 SNMP communities (Menu)

Procedure

1. From the Main Menu, select:
 2. Switch Configuration...
 6. SNMP Community Names

Figure 32: The SNMP Communities screen (default values)

Note: This screen gives an overview of the SNMP communities that are currently configured. All fields in this screen are read-only.

```

----- CONSOLE - MANAGER MODE -----
Switch Configuration - SNMP Communities

Community Name  MIB View  Write Access
-----
public          Manager   Unrestricted

Actions->  Back  Add  Edit  Delete  Help

Return to previous screen.
Use up/down arrow keys to change record selection, left/right arrow ke
  
```

2. Press **[A]** (for **Add**).

If you need information on the options in each field, press **[Enter]** to move the cursor to the Actions line, then select the Help option. When you are finished with Help, press **[E]** (for Edit) to return the cursor to the parameter fields.

3. Enter the name you want in the Community Name field, and use the Space bar to select the appropriate value in each of the other fields. (Use the **[Tab]** key to move from one field to the next.)
4. Press **[Enter]** , then **[S]** (for **Save**).

Listing community names and values (CLI)

This command lists the data for currently configured SNMP community names (along with trap receivers and the setting for authentication traps—see **SNMP notifications** on page 196).

Syntax:

```
show snmp-server [< community-string >]
```

Example:

Lists the data for all communities in a switch; that is, both the default "public" community name and another community named "blue-team."

Figure 33: Example: of the SNMP community listing with two communities



To list the data for only one community, such as the "public" community, use the above command with the community name included. For Example:

```
switch# show snmp-server public
```

Configuring community names and values (CLI)

The `snmp-server` command enables you to add SNMP communities with either default or specific access attributes, and to delete specific communities.

Syntax:

```
[no] snmp-server community <community-name>
```

Configures a new community name.

- If you do not also specify `operator` or `manager`, the switch automatically assigns the community to the `operator` MIB view.
- If you do not specify `restricted` or `unrestricted`, the switch automatically assigns the community to `restricted` (read-only) access.

The `no` form uses only the `<community-name>` variable and deletes the named community from the switch.

[operator manager]	<p>Optionally assigns an access level.</p> <ul style="list-style-type: none"> • At the <code>operator</code> level, the community can access all MIB objects except the CONFIG MIB. • At the <code>manager</code> level, the community can access all MIB objects.
[restricted unrestricted]	<p>Optionally assigns MIB access type.</p> <ul style="list-style-type: none"> • Assigning the <code>restricted</code> type allows the community to read MIB variables, but not to set them. • Assigning the <code>unrestricted</code> type allows the community to read and set MIB variables.

Example:

To add the following communities:

Community	Access Level	Type of Access
red-team	manager (Access to all MIB objects.)	unrestricted (read/write)
blue-team	operator (Access to all MIB objects except the CONFIG MIB.)	restricted (read-only)

```
switch(config)# snmp-server community red-team
manager unrestricted
switch(config)# snmp-server community blue-team
operator restricted
```

To eliminate a previously configured community named "gold-team":

```
switch(config) # no snmp-server community gold-team
```

SNMP notifications

The switches:

- **Default Traps:** A switch automatically sends default traps to trap receivers using the configured community name. You have to configure and supply the community name to use in the trap-receiver config, there is no default. Use the `snmp-server host <IP_ADDRESS> community "<COMMUNITY_NAME>"` command to configure a community name and the `snmp-server host <IP_ADDRESS> community "<COMMUNITY_NAME>" trap-level [all | critical | not-info | debug | none]` command to set the level of traps to send to the community.
- SNMPv2c informs
- SNMP v3 notification process, including traps

This section describes how to configure a switch to send network security and link-change notifications to configured trap receivers.

Supported Notifications

By default, the following notifications are enabled on a switch:

- Manager password changes
- SNMP authentication failure
- Link-change traps: when the link on a port changes from up to down (linkDown) or down to up (linkUp)
- Port-security (web, MAC, or 802.1X) authentication failure
- Invalid password entered in a login attempt through a direct serial, Telnet, or SSH connection
- Inability to establish a connection with the RADIUS or TACACS+ authentication server
- DHCP snooping events
- ARP protection events

General steps for configuring SNMP notifications

Procedure

1. Determine the versions of SNMP notifications that you want to use in your network.

If you want to use SNMPv1 and SNMPv2c traps, you must also configure a trap receiver. See the following sections and follow the required configuration procedures:

- [SNMPv1 and SNMPv2c Traps](#) on page 197
- [Configuring an SNMP trap receiver \(CLI\)](#) on page 198
- [Enabling SNMPv2c informs \(CLI\)](#) on page 200

If you want to use SNMPv3 notifications (including traps), you must also configure an SNMPv3 management station. Follow the required configuration procedure in [Configuring SNMPv3 notifications \(CLI\)](#) on page 201.

2. To reconfigure any of the SNMP notifications that are enabled by default to be sent to a management station (trap receiver), see [Enabling Link-Change Traps \(CLI\)](#) on page 206.
3. (Optional) See the following sections to configure optional SNMP notification features and verify the current configuration:
 - [Configuring the source IP address for SNMP notifications \(CLI\)](#) on page 207
 - [Viewing SNMP notification configuration \(CLI\)](#) on page 209

SNMPv1 and SNMPv2c Traps

The switches support the following functionality from earlier SNMP versions (SNMPv1 and SNMPv2c):

- **Trap receivers:** A **trap receiver** is a management station to which the switch sends SNMP traps and (optionally) event log messages sent from the switch. From the CLI you can configure up to ten SNMP trap receivers to receive SNMP traps from the switch.
- **Default Traps:** A switch automatically sends default traps to trap receivers using the configured community name. You have to configure and supply the community name to use in the trap-receiver config, there is no

default. Use the `snmp-server host <IP_ADDRESS> community "<COMMUNITY_NAME>"` command to configure a community name and the `snmp-server host <IP_ADDRESS> community "<COMMUNITY_NAME>" trap-level [all | critical | not-info | debug | none]` command to set the level of traps to send to the community.

- **Thresholds:** A switch automatically sends all messages created when a system threshold is reached to the network management station that configured the threshold, regardless of the trap receiver configuration.

SNMP trap receivers

Use the `snmp-server host` command to configure a trap receiver that can receive SNMPv1 and SNMPv2c traps, and (optionally) Event Log messages. When you configure a trap receiver, you specify its community membership, management station IP address, and (optionally) the type of Event Log messages to be sent.

If you specify a community name that does not exist—that is, has not yet been configured on the switch—the switch still accepts the trap receiver assignment. However, no traps are sent to that trap receiver until the community to which it belongs has been configured on the switch.



To replace one community name with another for the same IP address, you must first enter the

```
no snmp-server host <community-name> {< ipv4-address | ipv6-address >}
```

command to delete the unwanted community name. Otherwise, if you add a new community name with an IP address that is already used with a different community name, two valid community name entries are created for the same management station.

If you do not specify the event level (`[none|all|not-info|critical|debug]`), the switch does not send Event Log messages as traps. However, "well-known" traps and threshold traps (if configured) are still sent.

Configuring an SNMP trap receiver (CLI)

Syntax:

```
snmp-server host {< ipv4-addr | ipv6-addr >} < community name>
```

Configures a destination network management station to receive SNMPv1/v2c traps and (optionally) Event Log messages sent as traps from the switch, using the specified community name and destination IPv4 or IPv6 address. You can specify up to ten trap receivers (network management stations). (The default community name is `public`.)

<pre>[{<none all not-info critical debug>}]</pre>	<p>(Optional) Configures the security level of the Event Log messages you want to send as traps to a trap receiver (see the following table).</p> <ul style="list-style-type: none"> • The type of Event Log message that you specify applies only to Event Log messages, not to threshold traps. • For each configured event level, the switch continues to send threshold traps to all network management stations that have the appropriate threshold level configured. • If you do not specify an event level, the switch uses the default value (none) and sends no Event Log messages as traps.
<pre>[<inform>]</pre>	<p>(Optional) Configures the switch to send SNMPv2 inform requests when certain events occur. For more information, see Enabling SNMPv2c informs (CLI).</p>

Table 16: Security levels for Event Log messages sent as traps

Security Level	Action
None (default)	Sends no Event Log messages.
All	Sends all Event Log messages.
Not-Info	Sends all Event Log messages that are not for information only.
Critical	Sends only Event Log messages for critical error conditions.
Debug	Sends only Event Log messages needed to troubleshoot network- and switch-level problems.

Example:

To configure a trap receiver in a community named "red-team" with an IP address of 10.28.227.130 to receive only "critical" event log messages, you can enter the following command:

```
switch(config)# snmp-server host 10.28.227.130 red-team critical
```

SNMP trap when MAC address table changes

An SNMP trap is generated when a laptop/PC is removed from the back of an IP phone and the laptop/PC MAC address ages out of the MAC table for the Aruba 2930 switch.

The mac-notify trap feature globally enables the generation of SNMP trap notifications on MAC address table changes (learns/moves/removes/ages.)

The following command enables trap for aged MAC addresses:

Syntax:

```
switch(config)# [no] mac-notify traps [port-list] aged
```

Example:

For port 1 the command is:

Syntax:

```
switch(config)# mac-notify traps 1 aged
```

show command

Use the following show command to display the different mac-notify traps configured on an interface:

Syntax:

```
HP Switch # show mac-notify traps
```

Displays the following information:

```
Mac Notify Trap Information
Mac-notify Enabled : No
Mac-move Enabled : No
Trap-interval : 30
Port   MAC Addresses trap learned/removed/aged
-----
1      Learned, Removed & Aged
2      Removed & Aged
3      Learned & Aged
4      Learned & Removed
5      Aged
6      Learned
7      Removed
```

Example:

For port 1 the command would be as follows

```
HP Switch # show mac-notify traps 1
```

Displays the following information:

```
1 Aged
```

SNMPv2c informs

On a switch enabled for SNMPv2c, you can use the `snmp-server host inform` command (**Enabling SNMPv2c informs (CLI)** on page 200) to send inform requests when certain events occur. When an SNMP Manager receives an inform request, it can send an SNMP response back to the sending agent on the switch to let the agent know that the inform request reached its destination.

If the sending agent on the switch does not receive an SNMP response back from the SNMP Manager within the timeout period, the inform request may be resent, based on the retry count value.

When you enable SNMPv2c inform requests to be sent, you must specify the IP address and community name of the management station that will receive the inform notification.

Enabling SNMPv2c informs (CLI)

For information about enabling SNMPv2c informs, see **SNMPv2c informs** on page 200.

Syntax:

```
[no] snmp-server host {< ipv4-addr | ipv6-addr >} <community name> inform [retries < count >] [timeout < interval >]
```

Enables (or disables) the `inform` option for SNMPv2c on the switch and allows you to configure options for sending SNMP inform requests.

retries	Maximum number of times to resend an <code>inform</code> request if no SNMP response is received. (Default: 3)
timeout	Number of seconds to wait for an acknowledgement before resending the <code>inform</code> request. (Default: 15 seconds)



The `retries` and `timeout` values are not used to send trap requests.

To verify the configuration of SNMPv2c informs, enter the `show snmp-server` command, as shown in **Display of SNMPv2c inform configuration** on page 201 (note indication of `inform` Notify Type in bold below):

Display of SNMPv2c inform configuration

```
switch(config)# show snmp-server

SNMP Communities

Community Name      MIB View Write Access      public      Manager  Unrestricted
-----

Trap Receivers

Link-Change Traps Enabled on Ports [All] : All
...
Address              Community      Events Sent  Notify Type  Retry  Timeout
-----
15.28.333.456        guest          All          inform        3      15

Excluded MIBs

Snmp Response Pdu Source-IP Information

Selection Policy    : Default rfc1517

Trap Pdu Source-IP Information
Selection Policy    : Configured IP
Ip Address          : 10.10.10.10
```

Configuring SNMPv3 notifications (CLI)

The SNMPv3 notification process allows messages that are passed via SNMP between the switch and a network management station to be authenticated and encrypted.

Procedure

1. Enable SNMPv3 operation on the switch by entering the `snmpv3 enable` command (See "SNMP Version 3 Commands" on page N-7).

When SNMPv3 is enabled, the switch supports:

- Reception of SNMPv3 notification messages (traps and informs)
 - Configuration of initial users
 - (Optional) Restriction of non-SNMPv3 messages to "read only"
2. Configure SNMPv3 users by entering the `snmpv3 user` command (see **SNMPv3 users** on page 189). Each SNMPv3 user configuration is entered in the User Table.
 3. Assign SNMPv3 users to security groups according to their level of access privilege by entering the `snmpv3 group` command (see **Assigning users to groups (CLI)** on page 191).
 4. Define the name of an SNMPv3 notification configuration by entering the `snmpv3 notify` command.

Syntax:

```
[no] snmpv3 notify <notify_name> tagvalue <tag_name> type {inform|trap}
```

Associates the name of an SNMPv3 notification configuration with a tag name used (internally) in SNMPv3 commands. To delete a notification-to-tag mapping, enter `no snmpv3 notify notify_name`.

<code>notify <notify_name></code>	Specifies the name of an SNMPv3 notification configuration.
<code>tagvalue <tag_name></code>	Specifies the name of a tag value used in other SNMPv3 commands, such as <code>snmpv3 targetaddress params taglist tag_name</code> in Step 5.
<code>type</code>	Specifies the notification type as <code>inform</code> or <code>trap</code> . By default, the notification type is <code>trap</code> .

5. Configure the target address of the SNMPv3 management station to which SNMPv3 informs and traps are sent by entering the `snmpv3 targetaddress` command.

Syntax:

```
[no] snmpv3 targetaddress {< ipv4-addr | ipv6-addr >} <name>
```

Configures the IPv4 or IPv6 address, name, and configuration filename of the SNMPv3 management station to which notification messages are sent.

<code>params <params_name></code>	Name of the SNMPv3 station's parameters file. The parameters filename configured with <code>params params_name</code> must match the <code>params params_name</code> value entered with the <code>snmpv3 params</code> command in Step 6.
<code>taglist <tag_name> [tag_name] ...</code>	Specifies the SNMPv3 notifications (identified by one or more <code>tag_name</code> values) to be sent to the IP address of the SNMPv3 management station. You can enter more than one <code>tag_name</code> value. Each <code>tag_name</code> value must be already associated with the name of an SNMPv3 notification configuration entered with the <code>snmpv3 notify</code> command in Step 4. Use a blank space to separate <code>tag_name</code> values. You can enter up to 103 characters in <code>tag_name</code> entries following the <code>taglist</code> keyword.
<code>[filter {<none debug all not-info critical>}]</code>	(Optional) Configures the type of messages sent to a management station. (Default: none.)
<code>[udp-port < port >]</code>	(Optional) Specifies the UDP port to use. (Default: 162.)
<code>[port-mask < mask >]</code>	(Optional) Specifies a range of UDP ports. (Default: 0.)
<code>[addr-mask < mask >]</code>	(Optional) Specifies a range of IP addresses as destinations for notification messages. (Default: 0.)
<code>[retries < value >]</code>	(Optional) Number of times a notification is retransmitted if no response is received. Range: 1-255. (Default: 3.)
<code>[timeout < value >]</code>	(Optional) Time (in millisecond increments) allowed to receive a response from the target before notification packets are retransmitted. Range: 0-2147483647. [Default: 1500 (15 seconds).]
<code>[max-msg-size < size >]</code>	(Optional) Maximum number of bytes supported in a notification message to the specified target. (Default: 1472)

6. Create a configuration record for the target address with the `snmpv3 params` command.

Syntax:

```
[no] snmpv3 params <params_name> user <user_name>
```

Applies the configuration parameters and IP address of an SNMPv3 management station (from the `params params_name` value configured with the `snmpv3 targetaddress` command in Step 5) to a specified SNMPv3 user (from the `user user_name` value configured with the `snmpv3 user` command in Step 2).

If you enter the `snmpv3 params user` command, you must also configure a security model (`sec-model`) and message processing algorithm (`msg-processing`).

<pre>{<sec-model [ver1 ver2c ver3>]}</pre>	<p>Configures the security model used for SNMPv3 notification messages sent to the management station configured with the <code>snmpv3 targetaddress</code> command in Step 5.</p> <p>If you configure the security model as <code>ver3</code>, you must also configure the message processing value as <code>ver3</code>.</p>
<pre>{msg-processing {<ver1 ver2c ver3>} [noauth auth priv]}</pre>	<p>Configures the algorithm used to process messages sent to the SNMPv3 target address.</p> <p>If you configure the message processing value as <code>ver3</code> and the security model as <code>ver3</code>, you must also configure a security services level (<code>noauth</code>, <code>auth</code>, or <code>priv</code>).</p>

Example:

An Example: of how to configure SNMPv3 notification is shown here:

Figure 34: Example: of an SNMPv3 notification configuration

The diagram shows a sequence of CLI commands in a switch configuration mode:

```
Switch(config)# snmpv3 notify MyNotification tagvalue not_tag
Switch(config)# snmpv3 targetaddress not_addr params_not_parms 15.255.123.109
                  filter not_info taglist not_tag
Switch(config)# snmpv3 params not_parms user NetworkMgr sec-model ver3
                  message-processing ver3 priv
```

Callouts in the diagram:

- Top-left: Params_name value in the `snmpv3 targetaddress` command matches the params_name value in the `snmpv3 params` command.
- Top-right: The tag_name value in `snmpv3 notify` command matches the tag_name value in the `snmpv3 targetaddress` command.
- Bottom-left: Configuring the security model `ver3` requires you to configure message processing `ver3` and a security service level.

Network security notifications

By default, a switch is enabled to send the SNMP notifications listed in **Supported Notifications** on page 197 when a network security event (For example, authentication failure) occurs. However, before security notifications can be sent, you must first configure one or more trap receivers or SNMPv3 management stations as described in:

- **Configuring an SNMP trap receiver (CLI)** on page 198
- **Configuring SNMPv3 notifications (CLI)** on page 201

You can manage the default configuration of the switch to disable and re-enable notifications to be sent for the following types of security events:

- ARP protection events
- Inability to establish a connection with the RADIUS or TACACS+ authentication server
- DHCP snooping events
- Dynamic IP Lockdown hardware resources consumed
- Link change notification

- Invalid password entered in a login attempt through a direct serial, Telnet, or SSH connection
- Manager password changes
- Port-security (web, MAC, or 802.1X) authentication failure
- SNMP authentication failure
- Running configuration changes

Enabling or disabling notification/traps for network security failures and other security events (CLI)

For more information, see [Network security notifications](#) on page 204.

Syntax:

```
[no] snmp-server enable traps [snmp-auth | password-change-mgr | login-failure-mgr | port-security | auth-server-fail | dhcp-snooping | arp-protect | running-config-change]
```

Enables or disables sending one of the security notification types listed below to configured trap receivers. (Unless otherwise stated, all of the following notifications are enabled in the default configuration.)

The notification sends a trap:

arp-protect	If ARP packets are received with an invalid source or destination MAC address, an invalid IP address, or an invalid IP-to-MAC binding.
auth-server-fail	If the connection with a RADIUS or TACACS+ authentication server fails.
dhcp-snooping	If DHCP packets are received from an untrusted source or if DHCP packets contain an invalid IP-to-MAC binding.
dhcpv6-snooping	Set the traps for DHCPv6 snooping.
dyn-ip-lockdown	If the switch is out of hardware resources needed to program a dynamic IP lockdown rule
dyn-ipv6-lockdown	Enable traps for Dynamic IPv6 lockdown..
link-change <port-list>	When the link state on a port changes from up to down, or the reverse.
login-failure-mgr	For a failed login with a manager password.
password-change-mgr	When a manager password is reset.
mac-notify	Globally enables the generation of SNMP trap notifications upon MAC address table changes.
nd-snooping	Set the trap for nd snooping

Table Continued

port-security	For a failed authentication attempt through a web, MAC, or 801.X authentication session.
running-config-change	When changes to the running configuration file are made.
snmp-authentication [extended standard]	For a failed authentication attempt via SNMP.(Default: extended.)
Startup-config-change	Sends a trap when changes to the startup configuration file are made. See “Enabling SNMP Traps on Startup Configuration Changes” on page 6–34. (Default: Disabled)

To determine the specific cause of a security event, check the Event Log in the console interface to see why a trap was sent. For more information, see "Using the Event Log for Troubleshooting Switch Problems".

Viewing the current configuration for network security notifications (CLI)

Enter the `show snmp-server traps` command, as shown in **Display of configured network security notifications** on page 206. Note that command output is a subset of the information displayed with the `show snmp-server` command in **Display of SNMP notification configuration**.

Display of configured network security notifications

```
switch(config)# show snmp-server traps

Trap Receivers

Link-Change Traps Enabled on Ports [All] : A1-A24

Traps Category                Current Status
-----
SNMP Authentication           : Extended
Password change                : Enabled
Login failures                 : Enabled
Port-Security                 : Enabled
Authorization Server Contact   : Enabled
DHCP Snooping                 : Enabled
Dynamic ARP Protection         : Enabled
Dynamic IP Lockdown           : Enabled

Address            Community  Events Sent  Notify Type  Retry  Timeout
-----
15.255.5.225      public    All          trap         3     15
2001:0db8:0000:0001
:0000:0000:0000:0121 user_1    All          trap         3     15

Excluded MIBs
```

Enabling Link-Change Traps (CLI)

By default, a switch is enabled to send a trap when the link state on a port changes from up to down (linkDown) or down to up (linkUp). To reconfigure the switch to send link-change traps to configured trap receivers, enter the `snmp-server enable traps link-change` command.

Syntax:

```
[no] snmp-server enable traps link-change <port-list> [all]
```

Enables or disables the switch to send a link-change trap to configured trap receivers when the link state on a port goes from up to down or down to up.

Enter `all` to enable or disable link-change traps on all ports on the switch.

Readable interface names in traps

The SNMP trap notification messages for linkup and linkdown events on an interface includes IfDesc and IfAlias var-bind information.

Source IP address for SNMP notifications

The switch uses an interface IP address as the source IP address in IP headers when sending SNMP notifications (traps and informs) or responses to SNMP requests.

For multi-netted interfaces, the source IP address is the IP address of the outbound interface of the SNMP reply, which may differ from the destination IP address in the IP header of the received request. For security reasons, it may be desirable to send an SNMP reply with the IP address of the destination interface (or a specified IP address) on which the corresponding SNMP request was received.

To configure the switch to use the source IP address on which an SNMP request was received in SNMP notification/traps and replies, enter the `snmp-server response-source` and `snmp-server trap-source` commands (**Configuring the source IP address for SNMP notifications (CLI)**).

Configuring the source IP address for SNMP notifications (CLI)

For more information, see **Source IP address for SNMP notifications** on page 207.

Syntax:

```
[no] snmp-server response-source [dst-ip-of-request | [ipv4-addr | ipv6-addr] | loopback <0-7>]
```

Specifies the source IP address of the SNMP response PDU. The default SNMP response PDU uses the IP address of the active interface from which the SNMP response was sent as the source IP address.

The `no` form of the command resets the switch to the default behavior (compliant with rfc-1517).

(Default: Interface IP address)

<code>dst-ip-of-request</code>	Destination IP address of the SNMP request PDU that is used as the source IP address in an SNMP response PDU.
<code>[ipv4-addr ipv6-addr]</code>	User-defined interface IP address that is used as the source IP address in an SNMP response PDU. Both IPv4 and IPv6 addresses are supported.
<code>loopback <0-7></code>	IP address configured for the specified loopback interface that is used as the source IP address in an SNMP response PDU. If multiple loopback IP addresses are configured, the lowest alphanumeric address is used.

To use the IP address of the destination interface on which an SNMP request was received as the source IP address in the IP header of SNMP traps and replies, enter the following command:

```
switch(config)# snmp-server response-source dst-ip-of-request
```

Syntax:

```
[no] snmp-server trap-source [ipv4-addr | loopback <0-7>]
```

Specifies the source IP address to be used for a trap PDU. To configure the switch to use a specified source IP address in generated trap PDUs, enter the `snmp-server trap-source` command.

The `no` form of the command resets the switch to the default behavior (compliant with rfc-1517).

(Default: Use the interface IP address in generated trap PDUs)

<code>ipv4-addr</code>	User-defined interface IPv4 address that is used as the source IP address in generated traps. IPv6 addresses are not supported.
<code>loopback <0-7></code>	P address configured for the specified loopback interface that is used as the source IP address in a generated trap PDU. If multiple loopback IP addresses are configured, the lowest alphanumeric address is used.



When you use the `snmp-server response-source` and `snmp-server trap-source` commands, note the following behavior:

- The `snmp-server response-source` and `snmp-server trap-source` commands configure the source IP address for IPv4 interfaces only.
- You must manually configure the `snmp-server response-source` value if you wish to change the default user-defined interface IP address that is used as the source IP address in SNMP traps (RFC 1517).
- The values configured with the `snmp-server response-source` and `snmp-server trap-source` commands are applied globally to all interfaces that are sending SNMP responses or SNMP trap PDUs.
- Only the source IP address field in the IP header of the SNMP response PDU can be changed.
- Only the source IP address field in the IP header and the SNMPv1 Agent Address field of the SNMP trap PDU can be changed.

Verifying the configuration of the interface IP address used as the source IP address in IP headers for SNMP replies and traps sent from the switch (CLI)

Enter the `show snmp-server` command to display the SNMP policy configuration, as shown in [Display of source IP address configuration](#) on page 208.

Display of source IP address configuration

```
switch(config)# show snmp-server

SNMP Communities

Community Name   MIB View Write Access
-----
public           Manager  Unrestricted

Trap Receivers
Link-Change Traps Enabled on Ports [All] : All

...
```



```

Excluded MIBs
Snmp Response Pdu Source-IP Information
  Selection Policy : dstIpOfRequest 1

Trap Pdu Source-IP Information
  Selection Policy : Configured IP

```

¹ dstIpOfRequest: The destination IP address of the interface on which an SNMP request is received is used as the source IP address in SNMP replies.

Viewing SNMP notification configuration (CLI)

Syntax:

```
show snmp-server
```

Displays the currently configured notification settings for versions SNMPv1 and SNMPv2c traps, including SNMP communities, trap receivers, link-change traps, and network security notifications.

Example:

In the following Example:, the `show snmp-server` command output shows that the switch has been configured to send SNMP traps and notifications to management stations that belong to the "public," "red-team," and "blue-team" communities.

Figure 35: Display of SNMP notification configuration

```

HP Switch(config)# show snmp-server

SNMP Communities
Community Name  MIB View Write Access
-----
public          Operator Restricted
blue-team       Manager Unrestricted
red-team        Manager Unrestricted

Trap Receivers

Link-Change Traps Enabled on Ports [All] : All

Trap Category                Current Trap Configuration
-----
SNMP Authentication          extended
Password change              enabled
Login failures               enabled
Port-Security                enabled
Authorization Server Contact enabled
ARP Protection               enabled
DHCP Snooping                enabled

Address      Community  Events Sent  Notify Type  Retry  Timeout
-----
10.28.227.200 public     All          trap         3      15
10.28.227.105 red-team   Critical     trap         3      15
10.28.227.120 blue-team  Not-INFO    trap         3      15
...

```

Configuring the MAC address count option

The MAC Address Count feature provides a way to notify the switch management system when the number of MAC addresses learned on a switch port exceeds the permitted configurable number.

To enable the `mac-count-notify` option, enter this command in global config context.

Syntax:

```
[no] snmp-server enable traps mac-count-notify
```

Sends a trap when the number of MAC addresses learned on the specified ports exceeds the configured <learned-count> value.

To configure the mac-count-notify option on a port or ports, enter this command. When the configured number of MAC addresses is exceeded (the learned-count), a trap is sent.

Syntax:

```
[no] mac-count-notify traps <port-list> [<learned-count>]
```

Configures mac-count-notify traps on the specified ports (or all) for the entire switch.

The [no] form of the command disables mac-count-notify traps.

[<learned-count>]: The number of MAC addresses learned before sending a trap. Values range between 1-128.

Default: 32

Configuring mac-count notify traps on ports 5–7

```
switch (config)# mac-count-notify traps 5-7 50
```

Displaying information about the mac-count-notify option

Use the show mac-count-notify traps [<port-list>] command to display information about the configured value for sending a trap, the current count, and if a trap has been sent.

Information displayed for the show mac-count-notify traps command

```
switch(config)# show mac-count-notify traps
```

```
Mac-count-notify Enabled: Yes
```

Port	Count for sending Trap	Count	Trap Sent
1			
2			
3			
4			
5	50	0	No
6	50	2	No
7	50	0	No
8			
9			
...			

The interface context can be used to configure the value for sending a trap.

Configuring mac-count-notify traps from the interface context

```
switch(config)# interface 5
```

```
HP Switch (eth-5)# mac-count-notify traps 35
```

The `show snmp-server traps` command displays whether the MAC Address Count feature is enabled or disabled.

Information about SNMP traps, including MAC address count being Enabled/Disabled

```
switch(config)# show snmp-server traps
```

```
Trap Receivers
```

```
Link-Change Traps Enabled on Ports [All] : All
```

```
Traps Category                Current Status
```

```
-----  
SNMP Authentication           : Extended  
Password change               : Enabled  
Login failures                 : Enabled  
Port-Security                 : Enabled  
Authorization Server Contact : Enabled  
DHCP-Snooping                 : Enabled  
Dynamic ARP Protection        : Enabled  
Dynamic IP Lockdown           : Enabled
```

```
MAC address table changes     : Disabled  
MAC Address Count             : Enabled 1
```

```
-----  
Address      Community  Events  Type  Retry  Timeout  
-----  
15.146.194.77 public     None    trap  3      15  
15.255.134.252 public     None    trap  3      15  
16.181.49.167 public     None    trap  3      15  
16.181.51.14 public     None    trap  3      15
```

```
Excluded MIBs
```

¹The notify option is enabled.

Advanced management: RMON

The switch supports RMON (remote monitoring) on all connected network segments. This allows for troubleshooting and optimizing your network.

The following RMON groups are supported:

- Ethernet Statistics (except the numbers of packets of different frame sizes)
- Alarm
- History (of the supported Ethernet statistics)
- Event

The RMON agent automatically runs in the switch. Use the RMON management station on your network to enable or disable specific RMON traps and events. Note that you can access the Ethernet statistics, Alarm and Event groups from the HPE Switch Manager network management software.

CLI-configured sFlow with multiple instances

sFlow can also be configured via the CLI for up to three distinct sFlow instances: once enabled, an sFlow receiver/destination can be independently configured for full flow-sampling and counter-polling. CLI-configured sFlow instances may be saved to the startup configuration to persist across a switch reboot.

Configuring sFlow (CLI)

The following sFlow commands allow you to configure sFlow instances via the CLI. For more information, see **Advanced management: RMON** on page 211.

Syntax:

```
[no] sflow <receiver-instance> destination <ip-address> [< udp-port-num >]
```

Enables an sFlow receiver/destination. The receiver-instance number must be a 1, 2, or 3.

By default, the udp destination port number is 6343.

To disable an sFlow receiver/destination, enter `no sflow receiver-instance .`

Syntax:

```
sflow <receiver-instance> sampling <port-list> <sampling rate>
```

Once an sFlow receiver/destination has been enabled, this command enables flow sampling for that instance. The receiver-instance number is 1, 2, or 3, and the sampling rate is the allowable non-zero skipcount for the specified port or ports.

To disable flow-sampling for the specified port-list, repeat the above command with a sampling rate of 0.

Syntax:

```
sflow <receiver-instance> polling <port-list> <polling interval>
```

Once an sFlow receiver/destination has been enabled, this command enables counter polling for that instance. The receiver-instance number is 1, 2, or 3, and the polling interval may be set to an allowable non-zero value to enable polling on the specified port or ports.

To disable counter-polling for the specified port-list, repeat the above command with a polling interval of 0.



Under the multiple instance implementation, sFlow can be configured via the CLI or via SNMP. However, CLI-owned sFlow configurations cannot be modified via SNMP, whereas SNMP-owned instances can be disabled via the CLI using the `no sflow <receiver-instance>` command.

Viewing sFlow Configuration and Status (CLI)

The following sFlow commands allow you to display sFlow configuration and status via the CLI. **Viewing sFlow destination information** on page 213 is an Example: of `sflow agent` information.

Syntax:

```
show sflow agent
```

Displays sFlow agent information. The agent address is normally the IP address of the first VLAN configured.

The `show sflow agent` command displays read-only switch agent information. The version information shows the sFlow version, MIB support, and software versions; the agent address is typically the IP address of the first VLAN configured on the switch.

Viewing sflow agent information

```
switch# show sflow agent
Version          1.3;HP;XX.11.40
Agent Address    10.0.10.228
```

Syntax:

```
show sflow <receiver instance> destination
```

Displays information about the management station to which the sFlow sampling-polling data is sent.

The `show sflow instance destination` command includes information about the management-station's destination address, receiver port, and owner, as shown in [Viewing sFlow destination information](#) on page 213.

Viewing sFlow destination information

```
switch# show sflow 2 destination
Destination Instance      2
sflow                     Enabled
Datagrams Sent           221
Destination Address       10.0.10.41
Receiver Port             6343
Owner                    Administrator, CLI-owned, Instance 2
Timeout (seconds)        99995530
Max Datagram Size        1400
Datagram Version Support  5
```

Note the following details:

- **Destination Address** remains blank unless it has been configured.
- **Datagrams Sent** shows the number of datagrams sent by the switch agent to the management station since the switch agent was last enabled.
- **Timeout** displays the number of seconds remaining before the switch agent will automatically disable sFlow (this is set by the management station and decrements with time).
- **Max Datagram Size** shows the currently set value (typically a default value, but this can also be set by the management station).

Syntax:

```
show sflow <receiver instance> sampling-polling <port-list/range>
```

Displays status information about sFlow sampling and polling.

The `show sflow instance sampling-polling [port-list]` command displays information about sFlow sampling and polling on the switch, as shown in **Figure 36: Example: of viewing sFlow sampling and polling information** on page 214. You can specify a list or range of ports for which to view sampling information.

Figure 36: Example: of viewing sFlow sampling and polling information

```
HP Switch# show sflow 2 sampling-polling A1-A4
```

Number denotes the sampling/polling instance to which the receiver is coupled.

Port	Sampling		Dropped		Polling	
	Enabled	Rate	Header	Samples	Enabled	Interval
A1	Yes (2)	40	128	1234567890	---	---
A2	---	---	---	0	Yes (1)	60
A3	No (1)	0	100	898703	No	30
A4	Yes (3)	50	128	0	No (3)	0



The sampling and polling instances (noted in parentheses) coupled to a specific receiver instance are assigned dynamically, and so the instance numbers may not always match. The key thing to note is whether sampling or polling is enabled on a port, and the sampling rates or polling intervals for the receiver instance configured on each port.

Configuring UDLD Verify before forwarding

When an UDLD enabled port transitions to link-up, the port will begin with a UDLD blocking state. UDLD will probe via protocol packet exchange to determine the bidirectional state of the link. Until UDLD has completed the probe, all data traffic will be blocked. If the link is found to be bidirectional, UDLD will unblock the port for data traffic to pass. Once UDLD unblocks the port, other protocols will see the port as up and data traffic can be safely forwarded.

The default mode of a switch is “forward first then verify”. Enabling UDLD link-up will default to “forward first then verify”. To change the mode to “verify then forward”, you need to configure using the commands found in section 6.72.



Link-UP data traffic will resumed after probing the link partner completes. All other protocols running will see the port as down.

UDLD time delay

UDLD protocol informs the link partner simultaneously as it detects a state change from unidirectional to bidirectional traffic. Additional packet exchanges will be carried out by UDLD in addition to the existing UDLD exchanges whenever state changes from unidirectional to bidirectional.

Table 17: Peer state transition timings

Interval Time	Interval 1	Interval 1 + delta	Interval 2	Interval 3
	5 sec	5+(<5) sec*	10 sec	15 sec
With triggered updates	State = blockedPeer State = blocked	Inform PeerState = unblockedPeer State = unblocked	Regular UDLD TX	Regular UDLD TX

Table Continued

Interval Time	Interval 1	Interval 1 + delta	Interval 2	Interval 3
Without triggered updates	State = blockedPeer State = blocked	State = unblockedPeer State = blocked	Inform PeerState = unblockedPeer State = unblocked	Regular UDLD TX
*delta is the time when the unblock event occurs on local side				

Restrictions

- There is no support available when configuring this mode from the web and menu interface.
- There are no new packet types are introduced with UDLD.
- There are no new UDLD timers being introduced.

UDLD configuration commands

Syntax:

```
HP Switch(config)# link-keepalive mode [verify-then-forward | forward-then-verify]
```

This command configures the link-keepalive mode.

Link-keepalive provides two modes of operation; `verify-then-forward` and `forward-then-verify`.

When using the `verify-then-forward` mode, the port is in a blocking state until the link configured for UDLD establishes bidirectional communication. When using the `forward-then-verify` mode, the port forwards the data then verifies the status of the link-in state.

When a unidirectional state is detected, the port is moved to a blocked state.

When a bidirectional state is detected, the data is forwarded without interruption.

Syntax:

```
HP Switch(config)# link-keepalive mode verify-then-forward
```

Keeps the port in a logically blocked state until the link configured for UDLD has been successfully established in bi-directional communication.

Syntax:

```
HP Switch(config)# link-keepalive mode forward-then-verify
```

Forwards the data then verifies the status of the link. If a unidirectional state is detected, the port is then moved to a blocked state.

Syntax:

```
HP Switch(config)# link-keepalive interval <deciseconds>
```

Configure the interval for `link-keepalive`. The `link-keepalive` interval is the time between sending two UDLD packets. The time interval is entered in deciseconds (1/10 sec). The default keepalive interval is 50 deciseconds.

Example:

A value of 10 is 1 sec., 11 is 1.1 sec.

Syntax:

```
HP Switch(config)# link-keepalive retries <number>
```

Maximum number of sending attempts for UDLD packets before declaring the link as faulty.

Default keepalive attempt is 4.

Show commands

Syntax:

```
switch(config)# show link-keepalive
```

Sample output:

```
Total link-keepalive enabled ports: 8
Keepalive Retries : 4
Keepalive Interval: 5 sec
Keepalive Mode : verify-then-forward
Physical Keepalive Adjacent UDLD
```

Port	Enabled	Status	Status	Switch	VLAN
1	Yes	down	off-line	000000-000000	untagged
2	Yes	down	off-line	000000-000000	untagged
3	Yes	down	off-line	000000-000000	untagged
4	Yes	down	off-line	000000-000000	untagged
5	Yes	down	off-line	000000-000000	untagged
6	Yes	down	off-line	000000-000000	untagged
7	Yes	down	off-line	000000-000000	untagged
8	Yes	down	off-line	000000-000000	untagged

RMON generated when user changes UDLD mode

RMON events are generated when UDLD is configured. The first time you configure the mode, the UDLD states will be re-initialized. An event log entry is initiated to include the reason for the initial UDLD blocking state during link up.

Example:

```
UDLD mode [verify-then-forward | forward-then-verify] is configured
```

Severity: - Info.

LLDP

To standardize device discovery on all HPE switches, LLDP is implemented while offering limited read-only support for CDP, as documented in this manual. For the latest information on your switch model, consult the Release Notes (available on the HPE Networking website). If LLDP has not yet been implemented (or if you are running an older version of software), consult a previous version of the *Management and Configuration Guide* for device discovery details.

LLDP (Link Layer Discovery Protocol): provides a standards-based method for enabling the switches covered in this guide to advertise themselves to adjacent devices and to learn about adjacent LLDP devices.

LLDP-MED (LLDP Media Endpoint Discovery): Provides an extension to LLDP and is designed to support VoIP deployments.



LLDP-MED is an extension for LLDP, and the switch requires that LLDP be enabled as a prerequisite to LLDP-MED operation.

An SNMP utility can progressively discover LLDP devices in a network by:

Procedure

1. Reading a given device's Neighbors table (in the Management Information Base, or MIB) to learn about other, neighboring LLDP devices.
2. Using the information learned in step 1 to find and read the neighbor devices' Neighbors tables to learn about additional devices, and so on.

Also, by using `show` commands to access the switch's neighbor database for information collected by an individual switch, system administrators can learn about other devices connected to the switch, including device type (capability) and some configuration information. In VoIP deployments using LLDP-MED on the switches, additional support unique to VoIP applications is also available. See [LLDP-MED \(media-endpoint-discovery\)](#) on page 232.

General LLDP operation

An LLDP packet contains data about the transmitting switch and port. The switch advertises itself to adjacent (neighbor) devices by transmitting LLDP data packets out all ports on which outbound LLDP is enabled and by reading LLDP advertisements from neighbor devices on ports that are inbound LLDP-enabled. (LLDP is a one-way protocol and does not include any acknowledgement mechanism.) An LLDP-enabled port receiving LLDP packets inbound from neighbor devices stores the packet data in a Neighbor database (MIB).

LLDP-MED

This capability is an extension to LLDP and is available on the switches. See [LLDP-MED \(media-endpoint-discovery\)](#) on page 232.

Packet boundaries in a network topology

- Where multiple LLDP devices are directly connected, an outbound LLDP packet travels only to the next LLDP device. An LLDP-capable device does not forward LLDP packets to any other devices, regardless of whether they are LLDP-enabled.
- An intervening hub or repeater forwards the LLDP packets it receives in the same manner as any other multicast packets it receives. Thus, two LLDP switches joined by a hub or repeater handle LLDP traffic in the same way that they would if directly connected.
- Any intervening 802.1D device or Layer-3 device that is either LLDP-unaware or has disabled LLDP operation drops the packet.

LLDP operation configuration options

In the default configuration, LLDP is enabled and in both transmit and receive mode on all active ports. The LLDP configuration includes global settings, which apply to all active ports on the switch, and per-port settings, which affect only the operation of the specified ports.

The commands in the LLDP sections affect both LLDP and LLDP-MED operation. For information on operation and configuration unique to LLDP-MED, see [LLDP-MED \(media-endpoint-discovery\)](#) on page 232.

Enable or disable LLDP on the switch

In the default configuration, LLDP is globally enabled on the switch. To prevent transmission or receipt of LLDP traffic, you can disable LLDP operation.

Enable or disable LLDP-MED

In the default configuration for the switches, LLDP-MED is enabled by default. (Requires that LLDP is also enabled.) For more information, see [LLDP-MED \(media-endpoint-discovery\)](#) on page 232.

Change the frequency of LLDP packet transmission to neighbor devices

On a global basis, you can increase or decrease the frequency of outbound LLDP advertisements.

Change the Time-To-Live for LLDP packets sent to neighbors

On a global basis, you can increase or decrease the time that the information in an LLDP packet outbound from the switch will be maintained in a neighbor LLDP device.

Transmit and receive mode

With LLDP enabled, the switch periodically transmits an LLDP advertisement (packet) out each active port enabled for outbound LLDP transmissions and receives LLDP advertisements on each active port enabled to receive LLDP traffic ([Configuring per-port transmit and receive modes \(CLI\)](#) on page 226). Per-port configuration options include four modes:

- Transmit and receive (`tx_rx`): This is the default setting on all ports. It enables a given port to both transmit and receive LLDP packets and to store the data from received (inbound) LLDP packets in the switch's MIB.
- Transmit only (`txonly`): This setting enables a port to transmit LLDP packets that can be read by LLDP neighbors. However, the port drops inbound LLDP packets from LLDP neighbors without reading them. This prevents the switch from learning about LLDP neighbors on that port.
- Receive only (`rxonly`): This setting enables a port to receive and read LLDP packets from LLDP neighbors and to store the packet data in the switch's MIB. However, the port does not transmit outbound LLDP packets. This prevents LLDP neighbors from learning about the switch through that port.
- Disable (`disable`): This setting disables LLDP packet transmissions and reception on a port. In this state, the switch does not use the port for either learning about LLDP neighbors or informing LLDP neighbors of its presence.

SNMP notification

You can enable the switch to send a notification to any configured SNMP trap receiver(s) when the switch detects a remote LLDP data change on an LLDP-enabled port ([Configuring SNMP notification support](#) on page 226).

Per-port (outbound) data options

The following table lists the information the switch can include in the per-port, outbound LLDP packets it generates. In the default configuration, all outbound LLDP packets include this information in the TLVs transmitted to neighbor devices. However, you can configure LLDP advertisements on a per-port basis to omit some of this information ([Configuring a remote management address for outbound LLDP advertisements \(CLI\)](#) on page 227).

Table 18: Data available for basic LLDP advertisements

Data type	Configuration options	Default	Description
Time-to-Live	1	120 Seconds	The length of time an LLDP neighbor retains the advertised data before discarding it.
Chassis Type ²	N/A	Always Enabled	Indicates the type of identifier used for Chassis ID.
Chassis ID ³³	N/A	Always Enabled	Uses base MAC address of the switch.
Port Type ^{4,33}	N/A	Always Enabled	Uses "Local," meaning assigned locally by LLDP.
Port Id ³³	N/A	Always Enabled	Uses port number of the physical port. This is an internal number reflecting the reserved slot/port position in the chassis. For more information on this numbering scheme, see the appendix "MAC Address Management".
Remote Management Address			
Type ^{3,3}	N/A	Always Enabled	Shows the network address type.
Address ⁵⁵	Default or Configured	Uses a default address selection method unless an optional address is configured. See Remote management address on page 220.	
System Name ³³	Enable/Disable	Enabled	Uses the switch's assigned name.
System Description ³³	Enable/Disable	Enabled	Includes switch model name and running software version, and ROM version.
Port Description ³³	Enable/Disable	Enabled	Uses the physical port identifier.

Table Continued

Data type	Configuration options	Default	Description
System capabilities supported ^{3,3}	Enable/Disable	Enabled	Identifies the switch's primary capabilities (bridge, router).
System capabilities enabled ^{3,66 3}	Enable/Disable	Enabled	Identifies the primary switch functions that are enabled, such as routing.

¹ The Packet Time-to-Live value is included in LLDP data packets.

² Subelement of the Chassis ID TLV.

³ Populated with data captured internally by the switch. For more on these data types, refer to the IEEE P802.1AB Standard.

⁴ Subelement of the Port ID TLV.

⁵ Subelement of the Remote-Management-Address TLV.

⁶ Subelement of the System Capability TLV.

Remote management address

The switch always includes an IP address in its LLDP advertisements. This can be either an address selected by a default process or an address configured for inclusion in advertisements. See [IP address advertisements](#) on page 221.

Debug logging

You can enable LLDP debug logging to a configured debug destination (Syslog server, a terminal device, or both) by executing the `debug lldp` command. (For more information on Debug and Syslog, see the "Troubleshooting" appendix in this guide.) Note that the switch's Event Log does not record usual LLDP update messages.

Options for reading LLDP information collected by the switch

You can extract LLDP information from the switch to identify adjacent LLDP devices. Options include:

- Using the switch's `show lldp info` command options to display data collected on adjacent LLDP devices—as well as the local data the switch is transmitting to adjacent LLDP devices ([Displaying the global LLDP, port admin, and SNMP notification status \(CLI\)](#) on page 221).
- Using an SNMP application that is designed to query the Neighbors MIB for LLDP data to use in device discovery and topology mapping.
- Using the `walkmib` command to display a listing of the LLDP MIB objects

LLDP and LLDP-MED standards compatibility

The operation covered by this section is compatible with these standards:

- IEEE P802.1AB
- RFC 2922 (PTOPO, or Physical Topology MIB)
- RFC 2737 (Entity MIB)
- RFC 2863 (Interfaces MIB)
- ANSI/TIA-1057/D6 (LLDP-MED; refer to [LLDP-MED \(media-endpoint-discovery\)](#) on page 232.)

LLDP operating rules

For additional information specific to LLDP-MED operation, see [LLDP-MED \(media-endpoint-discovery\)](#) on page 232.

Port trunking

LLDP manages trunked ports individually. That is, trunked ports are configured individually for LLDP operation, in the same manner as non-trunked ports. Also, LLDP sends separate advertisements on each port in a trunk, and not on a per-trunk basis. Similarly, LLDP data received through trunked ports is stored individually, per-port.

IP address advertisements

In the default operation, if a port belongs to only one static VLAN, the port advertises the lowest-order IP address configured on that VLAN. If a port belongs to multiple VLANs, the port advertises the lowest-order IP address configured on the VLAN with the lowest VID. If the qualifying VLAN does not have an IP address, the port advertises 127.0.0.1 as its IP address. For example, if the port is a member of the default VLAN (VID=1), and there is an IP address configured for the default VLAN, the port advertises this IP address. In the default operation, the IP address that LLDP uses can be an address acquired by DHCP or Bootp.

You can override the default operation by configuring the port to advertise any IP address that is manually configured on the switch, even if the port does not belong to the VLAN configured with the selected IP address ([Configuring a remote management address for outbound LLDP advertisements \(CLI\)](#) on page 227). (Note that LLDP cannot be configured through the CLI to advertise an addresses acquired through DHCP or Bootp. However, as mentioned above, in the default LLDP configuration, if the lowest-order IP address on the VLAN with the lowest VID for a given port is a DHCP or Bootp address, the switch includes this address in its LLDP advertisements unless another address is configured for advertisements on that port.) Also, although LLDP allows configuring multiple remote management addresses on a port, only the lowest-order address configured on the port will be included in outbound advertisements. Attempting to use the CLI to configure LLDP with an IP address that is either not configured on a VLAN or has been acquired by DHCP or Bootp results in the following error message.

```
xxx.xxx.xxx.xxx: This IP address is not configured or is a DHCP address.
```

Spanning-tree blocking

Spanning tree does not prevent LLDP packet transmission or receipt on STP-blocked links.

802.1X blocking

Ports blocked by 802.1X operation do not allow transmission or receipt of LLDP packets.

Configuring LLDP operation

Displaying the global LLDP, port admin, and SNMP notification status (CLI)

In the default configuration, LLDP is enabled and in both transmit and receive mode on all active ports. The LLDP configuration includes global settings that apply to all active ports on the switch, and per-port settings that affect only the operation of the specified ports.

The commands in this section affect both LLDP and LLDP-MED operation. for information on operation and configuration unique to LLDP-MED, refer to “LLDP-MED (Media-Endpoint-Discovery)”.

Syntax:

```
show lldp config
```

Displays the LLDP global configuration, LLDP port status, and SNMP notification status. For information on port admin status, see [Configuring per-port transmit and receive modes \(CLI\)](#) on page 226.

`show lldp config` produces the following display when the switch is in the default LLDP configuration:

Viewing the general LLDP configuration

```
switch(config)# show lldp config
```

LLDP Global Configuration

```
LLDP Enabled [Yes] : Yes
LLDP Transmit Interval [30] : 30
LLDP Hold time Multiplier [4] : 4
LLDP Delay Interval [2] : 2
LLDP Reinit Interval [2] : 2
LLDP Notification Interval [5] : 5
LLDP Fast Start Count [5] : 5
```

LLDP Port Configuration

Port	AdminStatus	NotificationEnabled	Med Topology Trap Enabled
A1	Tx_Rx	False	False
A2	Tx_Rx	False	False
A3	Tx_Rx	False	False
A4	Tx_Rx	False	False
A5	Tx_Rx	False	False
A6	Tx_Rx	False	False
A7	Tx_Rx	False	False
A8	Tx_Rx	False	False



The values displayed in the LLDP column correspond to the `lldp refresh-interval` command

Viewing port configuration details (CLI)

Syntax:

```
show lldp config <port-list>
```

Displays the LLDP port-specific configuration for all ports in *<port-list>*, including which optional TLVs and any non-default IP address that are included in the port's outbound advertisements.

For information on the notification setting, see [Configuring SNMP notification support](#) on page 226. For information on the other configurable settings displayed by this command, see [Configuring per-port transmit and receive modes \(CLI\)](#) on page 226.

Figure 37: Per-port configuration display

```
HP Switch(config)# show lldp config 1

LLDP Port Configuration Detail

Port : 1
AdminStatus [Tx_Rx] : Tx_Rx
NotificationEnabled [False] : False
Med Topology Trap Enabled [False] : False

TLVS Advertised:
* port_descr
* system_name
* system_descr
* system_cap

[*capabilities]
|* network_policy|
|* location_id  |
|* poe          |
|* _ _ _ _ _ _ |
[*macphy_config]

IpAddress Advertised:
```

These fields appear when medtlvenable is enabled on the switch, which is the default setting.

This field appears when dot3tlvenable is enabled on the switch, which is the default setting.

The blank IpAddress field indicates that the default IP address will be advertised from this port.

Configuring Global LLDP Packet Controls

The commands in this section configure the aspects of LLDP operation that apply the same to all ports in the switch.

LLDP operation on the switch

Enabling LLDP operation (the default) causes the switch to:

- Use active, LLDP-enabled ports to transmit LLDP packets describing itself to neighbor devices.
- Add entries to its neighbors table based on data read from incoming LLDP advertisements.

Enabling or disabling LLDP operation on the switch (CLI)

For more information, see [LLDP operation on the switch](#) on page 223.

Syntax:

```
[no] lldp run
```

Enables or disables LLDP operation on the switch.

The `no` form of the command, regardless of individual LLDP port configurations, prevents the switch from transmitting outbound LLDP advertisements and causes the switch to drop all LLDP advertisements received from other devices.

The switch preserves the current LLDP configuration when LLDP is disabled. After LLDP is disabled, the information in the LLDP neighbors database remains until it times-out.

(Default: Enabled)

Disabling LLDP

```
switch(config)# no lldp run
```

Changing the packet transmission interval (CLI)

This interval controls how often active ports retransmit advertisements to their neighbors.

Syntax:

```
lldp refresh-interval <5-32768>
```

Changes the interval between consecutive transmissions of LLDP advertisements on any given port.

(Default: 30 seconds)



The refresh-interval must be greater than or equal to (4 x delay-interval). (The default delay-interval is 2). For example, with the default delay-interval, the lowest refresh-interval you can use is 8 seconds (4 x 2=8). Thus, if you want a refresh-interval of 5 seconds, you must first change the delay interval to 1 (that is, 4 x 1 5). If you want to change the delay-interval, use the `setmib` command.

Time-to-Live for transmitted advertisements

The Time-to-Live value (in seconds) for all LLDP advertisements transmitted from a switch is controlled by the switch that generates the advertisement and determines how long an LLDP neighbor retains the advertised data before discarding it. The Time-to-Live value is the result of multiplying the `refresh-interval` by the `holdtime-multiplier`.

Changing the time-to-live for transmitted advertisements (CLI)

For more information, see [Time-to-Live for transmitted advertisements](#) on page 224.

Syntax:

```
lldp holdtime-multiplier <2-10>
```

Changes the multiplier an LLDP switch uses to calculate the Time-to-Live for the LLDP advertisements it generates and transmits to LLDP neighbors. When the Time-to-Live for a given advertisement expires, the advertised data is deleted from the neighbor switch's MIB.

(Default: 4; Range 2–10)

Example:

If the refresh-interval on the switch is 15 seconds and the `holdtime-multiplier` is at the default, the Time-to-Live for advertisements transmitted from the switch is 60 seconds (4 x 15).

To reduce the Time-to-Live, you could lower the `holdtime-interval` to 2, which would result in a Time-to-Live of 30 seconds.

```
switch(config)# lldp holdtime-multiplier 2
```

Delay interval between advertisements generated by value or status changes to the LLDP MIB

The switch uses a **delay-interval** setting to delay transmitting successive advertisements resulting from these LLDP MIB changes. If a switch is subject to frequent changes to its LLDP MIB, lengthening this interval can reduce the frequency of successive advertisements. You can change the delay-interval by using either an SNMP network management application or the CLI `setmib` command.

Changing the delay interval between advertisements generated by value or status changes to the LLDP MIB (CLI)

Syntax:

```
setmib lldpTxDelay.0 -i <1-8192>
```

Uses `setmib` to change the minimum time (delay-interval) any LLDP port will delay advertising successive LLDP advertisements because of a change in LLDP MIB content.

(Default: 2; Range 1–8192)

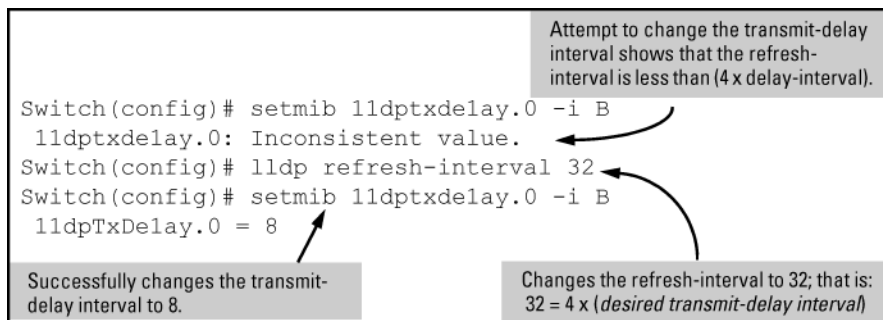


The LLDP refresh-interval (transmit interval) must be greater than or equal to (4 x delay-interval). The switch does not allow increasing the delay interval to a value that conflicts with this relationship. That is, the switch displays `Inconsistent value` if (4 x delay-interval) exceeds the current transmit interval, and the command fails. Depending on the current refresh-interval setting, it may be necessary to increase the refresh-interval before using this command to increase the delay-interval.

Example:

To change the delay-interval from 2 seconds to 8 seconds when the refresh-interval is at the default 30 seconds, you must first set the refresh-interval to a minimum of 32 seconds (32 = 4 x 8). (See **Figure 38: Changing the transmit-delay interval** on page 225.)

Figure 38: *Changing the transmit-delay interval*



Reinitialization delay interval

In the default configuration, a port receiving a `disable` command followed immediately by a `txonly`, `rxonly`, or `tx_rx` command delays reinitializing for two seconds, during which LLDP operation remains disabled. If an active port is subjected to frequent toggling between the LLDP disabled and enabled states, LLDP advertisements are more frequently transmitted to the neighbor device. Also, the neighbor table in the adjacent device changes more frequently as it deletes, then replaces LLDP data for the affected port which, in turn, generates SNMP traps (if trap receivers and SNMP notification are configured). All of this can unnecessarily increase network traffic. Extending the reinitialization-delay interval delays the ability of the port to reinitialize and generate LLDP traffic following an LLDP disable/enable cycle.

Changing the reinitialization delay interval (CLI)

Syntax:

```
setmib lldpReinitDelay.0 -i <1-10>
```

Uses `setmib` to change the minimum time (reinitialization delay interval) an LLDP port will wait before reinitializing after receiving an LLDP disable command followed closely by a `txonly` or `tx_rx` command. The delay interval commences with execution of the `lldp admin-status port-list disable` command.

(Default: 2 seconds; Range 1–10 seconds)

Example:

The following command changes the reinitialization delay interval to five seconds:

```
switch(config)# setmib lldpreinitdelay.0 -i 5
```

Configuring SNMP notification support

You can enable SNMP trap notification of LLDP data changes detected on advertisements received from neighbor devices, and control the interval between successive notifications of data changes on the same neighbor.

Enabling LLDP data change notification for SNMP trap receivers (CLI)

Syntax:

```
[no] lldp enable-notification <port-list>
```

Enables or disables each port in *port-list* for sending notification to configured SNMP trap receivers if an LLDP data change is detected in an advertisement received on the port from an LLDP neighbor.

(Default: Disabled)

For information on configuring trap receivers in the switch, see [SNMP notifications](#) on page 196.

Example:

This command enables SNMP notification on ports 1 - 5:

```
switch(config)# lldp enable-notification 1-5
```

Changing the minimum interval for successive data change notifications for the same neighbor

If LLDP trap notification is enabled on a port, a rapid succession of changes in LLDP information received in advertisements from one or more neighbors can generate a high number of traps. To reduce this effect, you can globally change the interval between successive notifications of neighbor data change.

Syntax:

```
setmib lldpnotificationinterval.0 -i <1-3600>
```

Globally changes the interval between successive traps generated by the switch. If multiple traps are generated in the specified interval, only the first trap is sent. The remaining traps are suppressed. (A network management application can periodically check the switch MIB to detect any missed change notification traps. See IEEE P802.1AB or later for more information.)

(Default: 5 seconds)

Example:

The following command limits change notification traps from a particular switch to one per minute.

```
switch(config)# setmib lldpnotificationinterval.0 -i 60 lldpNotificationInterval.0=60
```

Configuring per-port transmit and receive modes (CLI)

Syntax:

```
lldp admin-status <port-list> {<txonly | rxonly | tx_rx | disable>}
```

With LLDP enabled on the switch in the default configuration, each port is configured to transmit and receive LLDP packets. These options enable you to control which ports participate in LLDP traffic and whether the participating ports allow LLDP traffic in only one direction or in both directions.

<code>txonly</code>	Configures the specified ports to transmit LLDP packets, but block inbound LLDP packets from neighbor devices.
<code>rxonly</code>	Configures the specified ports to receive LLDP packets from neighbors, but block outbound packets to neighbors.
<code>tx_rx</code>	Configures the specified ports to both transmit and receive LLDP packets. (This is the default setting.)
<code>disable</code>	Disables LLDP packet transmit and receive on the specified ports.

Basic LLDP per-port advertisement content

In the default LLDP configuration, outbound advertisements from each port on the switch include both mandatory and optional data.

Mandatory Data

An active LLDP port on the switch always includes the mandatory data in its outbound advertisements. LLDP collects the mandatory data, and, except for the Remote Management Address, you cannot use LLDP commands to configure the actual data.

- Chassis Type (TLV subelement)
- Chassis ID (TLV)
- Port Type (TLV subelement)
- Port ID (TLV)
- Remote Management Address (TLV; actual IP address is a subelement that can be a default address or a configured address)

Configuring a remote management address for outbound LLDP advertisements (CLI)

This is an optional command you can use to include a specific IP address in the outbound LLDP advertisements for specific ports. For more information, see **Basic LLDP per-port advertisement content** on page 227.

Syntax:

```
[no] lldp config <port-list> ipAddrEnable <ip-address>
```

Replaces the default IP address for the port with an IP address you specify. This can be any IP address configured in a static VLAN on the switch, even if the port does not belong to the VLAN configured with the selected IP address.

The `no` form of the command deletes the specified IP address.

If there are no IP addresses configured as management addresses, the IP address selection method returns to the default operation.

Default: The port advertises the IP address of the lowest-numbered VLAN (VID) to which it belongs. If there is no IP address configured on the VLANs to which the port belongs, and if the port is not configured to advertise an IP address from any other (static) VLAN on the switch, the port advertises an address of 127.0.0.1.)



This command does not accept either IP addresses acquired through DHCP or Bootp, or IP addresses that are not configured in a static VLAN on the switch.

Example:

If port 3 belongs to a subnetted VLAN that includes an IP address of 10.10.10.100 and you want port 3 to use this secondary address in LLDP advertisements, you need to execute the following command:

```
switch(config)# lldp config 3 ipAddrEnable 10.10.10.100
```

Syntax:

```
[no] lldp config <port-list> basicTlvEnable <TLV-Type>
```

port_descr	For outbound LLDP advertisements, this TLV includes an alphanumeric string describing the port.(Default: Enabled)
system_name	For outbound LLDP advertisements, this TLV includes an alphanumeric string showing the assigned name of the system.(Default: Enabled)
system_descr	For outbound LLDP advertisements, this TLV includes an alphanumeric string describing the full name and version identification for the hardware type, software version, and networking application of the system.(Default: Enabled)
system_cap	For outbound advertisements, this TLV includes a bitmask of supported system capabilities (device functions). Also includes information on whether the capabilities are enabled. (Default: Enabled)

Example:

If you want to exclude the system name TLV from the outbound LLDP advertisements for all ports on a switch, use this command:

```
switch(config)# no lldp config 1-24 basicTlvEnable system_name
```

If you later decide to reinstate the system name TLV on ports 1-5, use this command:

```
switch(config)# lldp config 1-5 basicTlvEnable system_name
```

Optional Data

You can configure an individual port or group of ports to exclude one or more of the following data types from outbound LLDP advertisements.

- Port description (TLV)
- System name (TLV)
- System description (TLV)
- System capabilities (TLV)
 - System capabilities Supported (TLV subelement)
 - System capabilities Enabled (TLV subelement)
- Port speed and duplex (TLV subelement)

Optional data types, when enabled, are populated with data internal to the switch; that is, you cannot use LLDP commands to configure their actual content.

Support for port speed and duplex advertisements

This feature is optional for LLDP operation, but is **required** for LLDP-MED operation.

Port speed and duplex advertisements are supported on the switches to inform an LLDP endpoint and the switch port of each other's port speed and duplex configuration and capabilities. Configuration mismatches between a switch port and an LLDP endpoint can result in excessive collisions and voice quality degradation. LLDP enables discovery of such mismatches by supporting SNMP access to the switch MIB for comparing the current switch port and endpoint settings. (Changing a current device configuration to eliminate a mismatch requires intervention by the system operator.)

An SNMP network management application can be used to compare the port speed and duplex data configured in the switch and advertised by the LLDP endpoint. You can also use the CLI to display this information. For more information on using the CLI to display port speed and duplex information, see [Viewing the current port speed and duplex configuration on a switch port](#) on page 243.

Configuring support for port speed and duplex advertisements (CLI)

For more information, see [Support for port speed and duplex advertisements](#) on page 229.

Syntax:

```
[no] lldp config <port-list> dot3TlvEnable macphy_config
```

Options

macphy_config

MAC Physical Config TLV

poepplus_config

Power Via MDI Config TLV

eee_config

EEE Config TLV

For outbound advertisements, this TLV includes the (local) switch port's current speed and duplex settings, the range of speed and duplex settings the port supports, and the method required for reconfiguring the speed and duplex settings on the device (autonegotiation during link initialization, or manual configuration).

Using SNMP to compare local and remote information can help in locating configuration mismatches.

(Default: Enabled)



For LLDP operation, this TLV is optional. For LLDP-MED operation, this TLV is mandatory.

Port VLAN ID TLV support on LLDP

The `port-vlan-id` option enables advertisement of the port VLAN ID TLV as part of the regularly advertised TLVs. This allows discovery of a mismatch in the configured native VLAN ID between LLDP peers. The information is visible using `show` commands and is logged to the Syslog server.

Configuring the VLAN ID TLV

This TLV advertisement is enabled by default. To enable or disable the TLV, use this command. For more information, see [Port VLAN ID TLV support on LLDP](#) [Port VLAN ID TLV support on LLDP](#) on page 229.

Syntax:

```
[no] lldp config <port-list> dot1TlvEnable port-vlan-id
```

Enables the VLAN ID TLV advertisement.

The `no` form of the command disables the TLV advertisement.

Default: Enabled.

Options

port-vlan-id

Specifies the 802.1 TLV list to advertise.

vlan-name

Specifies that the VLAN name TLV is to be advertised.

Enabling the VLAN ID TLV

```
HP Switch(config)# lldp config a1 dot1TlvEnable port-vlan-id
```

Viewing the TLVs advertised

The show commands display the configuration of the TLVs. The command `show lldp config` lists the TLVs advertised for each port, as shown in the following examples.

Displaying the TLVs for a port

```
switch(config)# show lldp config a1

LLDP Port Configuration Detail

Port      : A1
AdminStatus [Tx_Rx] : Tx_Rx
NotificationEnabled [False] : False
Med Topology Trap Enabled [False] : False

TLVS Advertised:
* port_descr
* system_name
* system_descr
* system_cap

* capabilities
* network_policy
* location_id
* poe

* macphy_config

* port_vlan_id 1

IpAddress Advertised:
```

```
:
```

¹The VLAN ID TLV is being advertised.

Local device LLDP information

```
switch(config)# show lldp config info local-device a1
```

```
LLDP Port Configuration Information Detail
```

```
Port      : A1  
PortType  : local  
PortId    : 1  
PortDesc  : A1
```

```
Port VLAN ID : 1 1
```

¹The information that LLDP used in its advertisement.

Remote device LLDP information

```
switch(config)# show lldp info remote-device a1
```

```
LLDP Remote Device Information Detail
```

```
Local Port      : A1  
ChassisType     : mac-address  
ChassisId       : 00 16 35 22 ca 40  
PortType        : local  
PortID          : 1  
SysName         : esp-dback  
System Descr    : HP J8693A Switch 3500yl-48G, revision XX.13.03, ROM...  
PortDescr       : A1
```

```
System Capabilities Supported : bridge, router  
System Capabilities Enabled   : bridge, router
```

```
Port VLAN ID : 200
```

```
Remote Management Address  
Type      : ipv4  
Address   : 192.168.1.1
```

SNMP support

The LLDP-EXT-DOT1-MIB has the corresponding MIB variables for the Port VLAN ID TLV. The TLV advertisement can be enabled or disabled using the MIB object `lldpXdot1ConfigPortVlanTxEnable` in the `lldpXdot1ConfigPortVlanTable`.

The port VLAN ID TLV local information can be obtained from the MIB object `lldpXdot1LocPortVlanId` in the local information table `lldpXdot1LocTable`.

The port VLAN ID TLV information about all the connected peer devices can be obtained from the MIB object `lldpXdot1RemPortVlanId` in the remote information table `lldpXdot1RemTable`.

LLDP-MED (media-endpoint-discovery)

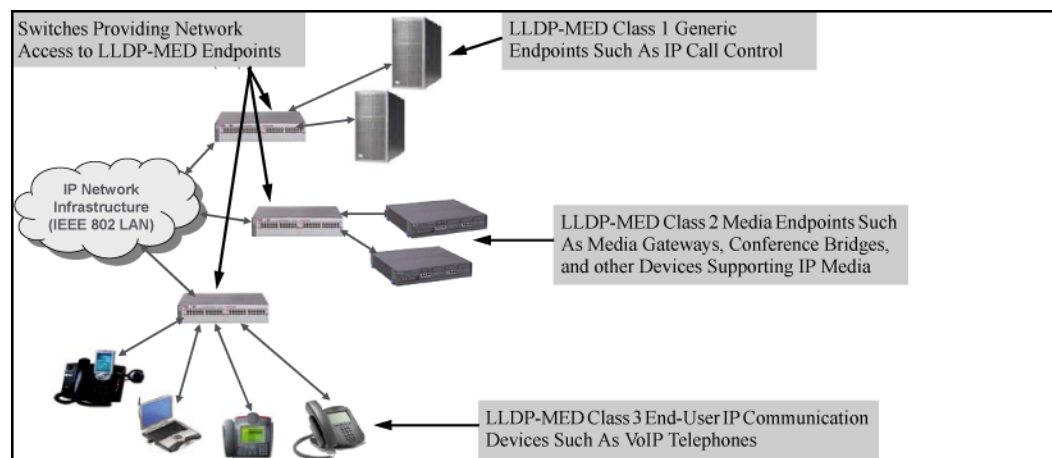
LLDP-MED (ANSI/TIA-1057/D6) extends the LLDP (IEEE 802.1AB) industry standard to support advanced features on the network edge for Voice Over IP (VoIP) endpoint devices with specialized capabilities and LLDP-MED standards-based functionality. LLDP-MED in the switches uses the standard LLDP commands described earlier in this section, with some extensions, and also introduces new commands unique to LLDP-MED operation. The `show` commands described elsewhere in this section are applicable to both LLDP and LLDP-MED operation. LLDP-MED benefits include:

- Plug-and-play provisioning for MED-capable, VoIP endpoint devices
- Simplified, vendor-independent management enabling different IP telephony systems to interoperate on one network
- Automatic deployment of convergence network policies (voice VLANs, Layer 2/CoS priority, and Layer 3/QoS priority)
- Configurable endpoint location data to support the Emergency Call Service (ECS) (such as Enhanced 911 service, 999, 112)
- Detailed VoIP endpoint data inventory readable via SNMP from the switch
- Power over Ethernet (PoE) status and troubleshooting support via SNMP
- support for IP telephony network troubleshooting of call quality issues via SNMP

This section describes how to configure and use LLDP-MED features in the switches to support VoIP network edge devices (media endpoint devices) such as:

- IP phones
- Voice/media gateways
- Media servers
- IP communications controllers
- Other VoIP devices or servers

Figure 39: Example: of LLDP-MED network elements



LLDP-MED endpoint support

LLDP-MED interoperates with directly connected IP telephony (endpoint) clients having these features and services:

- Autonegotiate speed and duplex configuration with the switch
- Use the following network policy elements configured on the client port
 - Voice VLAN ID
 - 802.1p (Layer 2) QoS
 - Diffserv codepoint (DSCP) (Layer 3) QoS
- Discover and advertise device location data learned from the switch
- Support ECS (such as E911, 999, and 112)
- Advertise device information for the device data inventory collected by the switch, including:

◦ Hardware revision	◦ Software revision	◦ Manufacturer name	Asset ID
◦ Firmware revision	◦ Serial number	◦ Model name	

- Provide information on network connectivity capabilities (For example, a multi-port VoIP phone with Layer 2 switch capability)
- Support the fast-start capability



LLDP-MED is intended for use with VoIP endpoints and is not designed to support links between network infrastructure devices, such as switch-to-switch or switch-to-router links.

LLDP-MED endpoint device classes

LLDP-MED endpoint devices are, by definition, located at the network edge and communicate using the LLDP-MED framework. Any LLDP-MED endpoint device belongs to one of the following three classes:

- Class 1 (generic endpoint devices): These devices offer the basic LLDP discovery services, network policy advertisement (VLAN ID, Layer 2/802.1p priority, and Layer 3/DSCP priority), and PoE management. This class includes such devices as IP call controllers and communication-related servers.
- Class 2 (media endpoint devices): These devices offer all Class 1 features plus media-streaming capability, and include such devices as voice/media gateways, conference bridges, and media servers.
- Class 3 (communication devices): These devices are typically IP phones or end-user devices that otherwise support IP media and offer all Class 1 and Class 2 features, plus location identification and emergency 911 capability, Layer 2 switch support, and device information management.

LLDP-MED operational support

The switches offer two configurable TLVs supporting MED-specific capabilities:

- medTlvEnable (for per-port enabling or disabling of LLDP-MED operation)
- medPortLocation (for configuring per-port location or emergency call data)



LLDP-MED operation also requires the port speed and duplex TLV (`dot3TlvEnable`), which is enabled in the default configuration.

Topology change notifications provide one method for monitoring system activity. However, because SNMP normally employs UDP, which does not guarantee datagram delivery, topology change notification should not be relied upon as the sole method for monitoring critical endpoint device connectivity.

LLDP-MED fast start control

Syntax:

```
lldp fast-start-count <1-10>
```

An LLDP-MED device connecting to a switch port may use the data contained in the MED TLVs from the switch to configure itself. However, the `lldp refresh-interval` setting (default: 30 seconds) for transmitting advertisements can cause an unacceptable delay in MED device configuration.

To support rapid LLDP-MED device configuration, the `lldp fast-start-count` command temporarily overrides the `refresh-interval` setting for the `fast-start-count` advertisement interval. This results in the port initially advertising LLDP-MED at a faster rate for a limited time. Thus, when the switch detects a new LLDP-MED device on a port, it transmits one LLDP-MED advertisement per second out the port for the duration of the `fast-start-count` interval. In most cases, the default setting should provide an adequate `fast-start-count` interval.

(Default: 5 seconds)



This global command applies only to ports on which a new LLDP-MED device is detected. It does not override the `refresh-interval` setting on ports where non-MED devices are detected.

Advertising device capability, network policy, PoE status and location data

The `medTlvEnable` option on the switch is enabled in the default configuration and supports the following LLDP-MED TLVs:

- LLDP-MED capabilities: This TLV enables the switch to determine:
 - Whether a connected endpoint device supports LLDP-MED
 - Which specific LLDP-MED TLVs the endpoint supports
 - The device class (1, 2, or 3) for the connected endpoint

This TLV also enables an LLDP-MED endpoint to discover what LLDP-MED TLVs the switch port currently supports.

- Network policy operating on the port to which the endpoint is connected (VLAN, Layer 2 QoS, Layer 3 QoS)
- PoE (MED Power-over-Ethernet)
- Physical location data (see [Configuring location data for LLDP-MED devices](#) on page 237)



LLDP-MED operation requires the `macphy_config` TLV subelement (enabled by default) that is optional for IEEE 802.1AB LLDP operation. For more information, see the `dot3TlvEnable macphy_config` command ([Configuring support for port speed and duplex advertisements \(CLI\)](#) on page 229).

Network policy advertisements

Network policy advertisements are intended for real-time voice and video applications, and include these TLV subelements:

- Layer 2 (802.1p) QoS
- Layer 3 DSCP (diffserv code point) QoS
- Voice VLAN ID (VID)

VLAN operating rules

These rules affect advertisements of VLANs in network policy TLVs:

- The VLAN ID TLV subelement applies only to a VLAN configured for voice operation (`vlan <vid> voice`).
- If there are multiple voice VLANs configured on a port, LLDP-MED advertises the voice VLAN having the lowest VID.
- The voice VLAN port membership configured on the switch can be tagged or untagged. However, if the LLDP-MED endpoint expects a tagged membership when the switch port is configured for untagged, or the reverse, a configuration mismatch results. (Typically, the endpoint expects the switch port to have a tagged voice VLAN membership.)
- If a given port does not belong to a voice VLAN, the switch does not advertise the VLAN ID TLV through this port.

Policy elements

These policy elements may be statically configured on the switch or dynamically imposed during an authenticated session on the switch using a RADIUS server and 802.1X or MAC authentication. (Web authentication does not apply to VoIP telephones and other telecommunications devices that are not capable of accessing the switch through a Web browser.) The QoS and voice VLAN policy elements can be statically configured with the following CLI commands:

```
vlan <vid> voice
vlan <vid> {<tagged | untagged> <port-list>}
int <port-list> qos priority <0-7>
vlan <vid> qos dscp <codepoint>
```



A codepoint must have an 802.1p priority before you can configure it for use in prioritizing packets by VLAN-ID. If a codepoint you want to use shows `No Override` in the `Priority` column of the DSCP policy table (display with `show qos-dscp map`, then use `qos-dscp map <codepoint> priority <0-7>` to configure a priority before proceeding. For more information on this topic, see the "Quality of Service (QoS): Managing Bandwidth More Effectively" in the advanced traffic management guide for your switch.

Enabling or Disabling medTlvEnable

In the default LLDP-MED configuration, the TLVs controlled by `medTlvEnable` are enabled. For more information, see [Advertising device capability, network policy, PoE status and location data](#) on page 234.

Syntax:

```
[no] lldp config <port-list> medTlvEnable <medTlv>
```

Enables or disables advertisement of the following TLVs on the specified ports:

- Device capability TLV
- Configured network policy TLV
- Configured location data TLV (see **Configuring location data for LLDP-MED devices** on page 237.)
- Current PoE status TLV

(Default: All of the above TLVs are enabled.)

Helps to locate configuration mismatches by allowing use of an SNMP application to compare the LLDP-MED configuration on a port with the LLDP-MED TLVs advertised by a neighbor connected to that port.

capabilities	<p>This TLV enables the switch to determine:</p> <ul style="list-style-type: none"> • Which LLDP-MED TLVs a connected endpoint can discover • The device class (1, 2, or 3) for the connected endpoint <p>This TLV also enables an LLDP-MED endpoint to discover what LLDP-MED TLVs the switch port currently supports.(Default: enabled)</p> <p>This TLV cannot be disabled unless the <code>network_policy</code>, <code>poE</code>, and <code>location_id</code> TLVs are already disabled.</p>
network_policy	<p>This TLV enables the switch port to advertise its configured network policies (voice VLAN, Layer 2 QoS, Layer 3 QoS), and allows LLDP-MED endpoint devices to autoconfigure the voice network policy advertised by the switch. This also enables the use of SNMP applications to troubleshoot statically configured endpoint network policy mismatches.(Default: Enabled)</p> <p>Network policy is advertised only for ports that are configured as members of the voice VLAN. If the port belongs to more than one voice VLAN, the voice VLAN with the lowest-numbered VID is selected as the VLAN for voice traffic. Also, this TLV cannot be enabled unless the <code>capability</code> TLV is already enabled.</p> <p>For more information, see Network policy advertisements on page 235.</p>
location_id	<p>This TLV enables the switch port to advertise its configured location data (if any). For more information on configuring location data, see Configuring location data for LLDP-MED devices on page 237.(Default: Enabled)</p> <p>When disabled, this TLV cannot be enabled unless the <code>capability</code> TLV is already enabled.</p>
poE	<p>This TLV enables the switch port to advertise its current PoE state and to read the PoE requirements advertised by the LLDP-MED endpoint device connected to the port.(Default: Enabled)</p> <p>When disabled, this TLV cannot be enabled unless the <code>capability</code> TLV is already enabled.</p> <p>For more on this topic, see PoE advertisements on page 236.</p>

PoE advertisements

These advertisements inform an LLDP-MED endpoint of the power (PoE) configuration on switch ports. Similar advertisements from an LLDP-MED endpoint inform the switch of the endpoint's power needs and provide information that can be used to identify power priority mismatches.

PoE TLVs include the following power data:

- **Power type:** indicates whether the device is a power-sourcing entity (PSE) or a PD. Ports on the J8702A PoE zl module are PSE devices. A MED-capable VoIP telephone is a PD.
- **Power source:** indicates the source of power in use by the device. Power sources for PDs include PSE, local (internal), and PSE/local. The switches advertise Unknown.
- **Power priority:** indicates the power priority configured on the switch (PSE) port or the power priority configured on the MED-capable endpoint.
- **Power value:** indicates the total power in watts that a switch port (PSE) can deliver at a particular time, or the total power in watts that the MED endpoint (PD) requires to operate.

Viewing PoE advertisements

To display the current power data for an LLDP-MED device connected to a port, use the following command:

```
show lldp info remote-device <port-list>
```

For more information on this command, see page A-60.

To display the current PoE configuration on the switch, use the following commands:

```
show power brief <port-list>
```

```
show power <port-list>
```

For more information on PoE configuration and operation, see [Power Over Ethernet \(PoE/PoE+\) Operation](#).

Location data for LLDP-MED devices

You can configure a switch port to advertise location data for the switch itself, the physical wall-jack location of the endpoint (recommended), or the location of a DHCP server supporting the switch, endpoint, or both. You also have the option of configuring these different address types:

- **Civic address:** physical address data such as city, street number, and building information
- **ELIN (Emergency Location Identification Number):** an emergency number typically assigned to MLTS (Multiline Telephone System) Operators in North America
- **Coordinate-based location:** attitude, longitude, and altitude information (Requires configuration via an SNMP application.)

Configuring location data for LLDP-MED devices

Syntax:

```
[no] lldp config <port-list> medPortLocation <Address-Type>
```

Configures location of emergency call data the switch advertises per port in the `location_id` TLV. This TLV is for use by LLDP-MED endpoints employing location-based applications.



The switch allows one `medPortLocation` entry per port (without regard to type). Configuring a new `medPortLocation` entry of any type on a port replaces any previously configured entry on that port.

```
civic-addr <COUNTRY-STR> <WHAT> <CA-TYPE> <CA-VALUE> ... [< CA-TYPE > < CA-VALUE >] ... [< CA-TYPE > < CA-VALUE >]
```

Enables configuration of a physical address on a switch port and allows up to 75 characters of address information.

COUNTRY-STR	A two-character country code, as defined by ISO 3166. Some examples include <code>FR</code> (France), <code>DE</code> (Germany), and <code>IN</code> (India). This field is required in a <code>civic-addr</code> command. (For a complete list of country codes, visit http://www.iso.org .)
WHAT	A single-digit number specifying the type of device to which the location data applies: 0: Location of DHCP server 1: Location of switch 2: Location of LLDP-MED endpoint (recommended application) This field is required in a <code>civic-addr</code> command.

Table Continued

<p>Type/Value Pairs (CA-TYPE and CA-VALUE)</p>	<p>A series of data pairs, each composed of a location data "type" specifier and the corresponding location data for that type. That is, the first value in a pair is expected to be the civic address "type" number (CA-TYPE), and the second value in a pair is expected to be the corresponding civic address data (CA-VALUE).</p> <p>For example, if the CA-TYPE for "city name" is "3," the type/value pair to define the city of Paris is "3 Paris."</p> <p>Multiple type/value pairs can be entered in any order, although Hewlett Packard Enterprise recommends that multiple pairs be entered in ascending order of the CA-TYPE.</p> <p>When an emergency call is placed from a properly configured class 3 endpoint device to an appropriate PSAP, the country code, device type, and type/value pairs configured on the switch port are included in the transmission. The "type" specifiers are used by the PSAP to identify and organize the location data components in an understandable format for response personnel to interpret.</p> <p>A <code>civic-addr</code> command requires a minimum of one type/value pair, but typically includes multiple type/value pairs as needed to configure a complete set of data describing a given location.</p> <p>CA-TYPE: This is the first entry in a type/value pair and is a number defining the type of data contained in the second entry in the type/value pair (CA-VALUE). Some examples of CA-TYPE specifiers include:</p> <ul style="list-style-type: none"> • 3=city • 6=street (name) • 25=building name <p>(Range: 0 - 255)For a sample listing of CA-TYPE specifiers, see <u>Some location codes used in CA-TYPE fields.</u></p> <p>CA-VALUE: This is the second entry in a type/value pair and is an alphanumeric string containing the location information corresponding to the immediately preceding CA-TYPE entry.</p> <p>Strings are delimited by either blank spaces, single quotes (' ... '), or double quotes ("...").</p> <p>Each string should represent a specific data type in a set of unique type/value pairs comprising the description of a location, and each string must be preceded by a CA-TYPE number identifying the type of data in the string.</p> <p>A switch port allows one instance of any given CA-TYPE. For example, if a type/value pair of 6 Atlantic (to specify "Atlantic" as a street name) is configured on port A5 and later another type/value pair of 6 Pacific is configured on the same port, Pacific replaces Atlantic in the civic address location configured for port A5.</p>
<p><code>elin-addr</code> <code><emergency-number></code></p>	<p>This feature is intended for use in ECS applications to support class 3 LLDP-MED VoIP telephones connected to a switch in an MLTS infrastructure.</p> <p>An ELIN is a valid NANP format telephone number assigned to MLTS operators in North America by the appropriate authority. The ELIN is used to route emergency (E911) calls to a PSAP.</p> <p>(Range: 1-15 numeric characters)</p>

Configuring coordinate-based locations

Latitude, longitude, and altitude data can be configured per switch port using an SNMP management application. For more information, see the documentation provided with the application. A further source of information on this topic is RFC 3825-Dynamic host configuration protocol option for coordinate-based location configuration information.



Endpoint use of data from a medPortLocation TLV sent by the switch is device-dependent. See the documentation provided with the endpoint device.

Table 19: *Some location codes used in CA-TYPE fields*

Location element	Code ¹	Location element	Code
national subdivision	1	street number	19
regional subdivision	2	additional location data	22
city or township	3	unit or apartment	26
city subdivision	4	floor	27
street	6	room number	28
street suffix	18		

¹ The code assignments in this table are examples from a work-in-progress (the internet draft titled "Dynamic Host Configuration Protocol (DHCPv4 and DHCPv6) Option for Civic Addresses Configuration Information draft-ietf-geopriv-dhcp-civil-06" dated May 30, 2005.) For the actual codes to use, contact the PSAP or other authority responsible for specifying the civic addressing data standard for your network.

Example:

Suppose a system operator wants to configure the following information as the civic address for a telephone connected to her company's network through port A2 of a switch at the following location:

CA-type	CA-type	CA-VALUE
national subdivision	1	CA
city	3	Widgitville
street	6	Main
street number	19	1433
unit	26	Suite 4-N
floor	27	4
room number	28	N4-3

The following example shows the commands for configuring and displaying the above data.

A civic address configuration

```
switch(config)# lldp config 2 medportlocation civic-addr US 2 1 CA 3  
Widgitville 6 Main 19 1433 26 Suite_4-N 27 4 28 N4-3
```

```
switch(config)# show lldp config 2  
LLDP Port Configuration Detail  
Port : A2  
AdminStatus [Tx_Rx] : Tx_Rx  
NotificationEnabled [False] : False  
Med Topology Trap Enabled [False] : False  
Country Name : US  
What : 2  
Ca-Type : 1  
Ca-Length : 2  
Ca-Value : CA  
Ca-Type : 3  
Ca-Length : 11  
Ca-Value : Widgitville  
Ca-Type : 6  
Ca-Length : 4  
Ca-Value : Main  
Ca-Type : 19  
Ca-Length : 4  
Ca-Value : 1433  
Ca-Type : 26  
Ca-Length : 9  
Ca-Value : Suite_4-N  
Ca-Type : 27  
Ca-Length : 1  
Ca-Value : 4  
Ca-Type : 28  
Ca-Length : 4  
Ca-Value : N4-3
```

Viewing switch information available for outbound advertisements

Syntax:

```
show lldp info local-device [port-list]
```

Without the [*port-list*] option, displays the global switch information and the per-port information currently available for populating outbound LLDP advertisements.

With the [*port-list*] option, displays only the following port-specific information that is currently available for outbound LLDP advertisements on the specified ports:

- PortType
- PortId
- PortDesc



This command displays the information available on the switch. Use the `lldp config <port-list>` command to change the selection of information that is included in actual outbound advertisements. In the default LLDP configuration, all information displayed by this command is transmitted in outbound advertisements.

In the default configuration, the switch information currently available for outbound LLDP advertisements appears similar to the display in the following example.

Displaying the global and per-port information available for outbound advertisements

```
switch(config)# show lldp info local-device
```

LLDP Local Device Information

```
Chassis Type : mac-address
Chassis Id : 00 23 47 4b 68 DD
System Name : HP Switch1
System Description : HP J9091A Switch 3500yl, revision XX.15.06...
System Capabilities Supported:bridge
System Capabilities Enabled:bridge
```

Management Address ¹

```
Type:ipv4
Address:
```

LLDP Port Information

Port	PortType	PortId	PortDesc
1	local	1	1
2	local	2	2
3	local	3	3
4	local	4	4
5	local	5	5

1

The Management Address field displays only the LLDP-configurable IP addresses on the switch. (Only manually-configured IP addresses are LLDP-configurable.) If the switch has only an IP address from a DHCP or Bootp server, then the Management Address field is empty (because there are no LLDP-configurable IP addresses available).

The default per-port information content for ports 1 and 2

```
switch(config)# show lldp info local 1-2
```

LLDP Local Port Information Detail

```
Port      : 1
PortType  : local
PortId    : 1
PortDesc  : 1
```

```
-----
Port      : 2
PortType  : local
PortId    : 2
PortDesc  : 2
```

Displaying the current port speed and duplex configuration on a switch port

You can compare port speed and duplex information for a switch port and a connected LLDP-MED endpoint for configuration mismatches by using an SNMP application. You can also use the switch CLI to display this information, if necessary. The `show interfaces brief <port-list>` and `show lldp info remote-device [port-list]` commands provide methods for displaying speed and duplex information for switch

ports. For information on displaying the currently configured port speed and duplex on an LLDP-MED endpoint, see [Viewing the current port speed and duplex configuration on a switch port](#) on page 243.

Viewing the current port speed and duplex configuration on a switch port

Syntax:

```
show interfaces brief <port-list>
```

Includes port speed and duplex configuration in the `Mode` column of the resulting display.

Viewing advertisements currently in the neighbors MIB

Syntax:

```
show lldp info remote-device [port-list]
```

Without the `[port-list]` option, provides a global list of the individual devices it has detected by reading LLDP advertisements. Discovered devices are listed by the inbound port on which they were discovered.

Multiple devices listed for a single port indicates that such devices are connected to the switch through a hub.

Discovering the same device on multiple ports indicates that the remote device may be connected to the switch in one of the following ways:

- Through different VLANs using separate links. (This applies to switches that use the same MAC address for all configured VLANs.)
- Through different links in the same trunk.
- Through different links using the same VLAN. (In this case, spanning-tree should be invoked to prevent a network topology loop. Note that LLDP packets travel on links that spanning-tree blocks for other traffic types.)

With the `[port-list]` option, provides a listing of the LLDP data that the switch has detected in advertisements received on the specified ports.

For descriptions of the various types of information displayed by these commands, see [Data available for basic LLDP advertisements](#).

A global listing of discovered devices

```
switch(config)# show lldp info remote
```

```
LLDP Remote Devices Information
```

LocalPort	ChassisId	PortId	PortDescr	SysName
1	00 11 85 35 3b 80	6	6	HP Switch
2	00 11 85 cf 66 60	8	8	HP Switch

An LLLDP-MED listing of an advertisement received from an LLDP-MED (VoIP telephone) source

```
switch(config)# show lldp info remote-device 1
```

```
LLDP Remote Device Information Detail
```

```
Local Port      : A2
ChassisType    : network-address
ChassisId      : 0f ff 7a 5c
PortType       : mac-address
```

```

PortId      : 08 00 0f 14 de f2
SysName     : HP Switch
System Descr : HP Switch, revision xx.15.06.0000x
PortDescr   : LAN Port

```

```

System Capabilities Supported : bridge, telephone
System Capabilities Enabled   : bridge, telephone

```

Remote Management Address

```

MED Information Detail 1
  EndpointClass      :Class3
  Media Policy Vlan id :10
  Media Policy Priority :7
  Media Policy Dscp   :44
  Media Policy Tagged :False
  Poe Device Type     :PD
  Power Requested     :47
  Power Source        :Unknown
  Power Priority       :High

```

¹Indicates the policy configured on the telephone. A configuration mismatch occurs if the supporting port is configured differently.

Displaying LLDP statistics

LLDP statistics are available on both a global and a per-port levels. Rebooting the switch resets the LLDP statistics counters to zero. Disabling the transmit and/or receive capability on a port "freezes" the related port counters at their current values.

Viewing LLDP statistics

For more information, see [Displaying LLDP statistics](#) on page 244.

Syntax:

```
show lldp stats [port-list]
```

The **global LLDP** statistics command displays an overview of neighbor detection activity on the switch, plus data on the number of frames sent, received, and discarded per-port.

The **per-port LLDP** statistics command enhances the list of per-port statistics provided by the global statistics command with some additional per-port LLDP statistics.

Global LLDP Counters:

Neighbor Entries List Last Updated	The elapsed time since a neighbor was last added or deleted.
New Neighbor Entries Count	The total of new LLDP neighbors detected since the last switch reboot. Disconnecting, and then reconnecting a neighbor increments this counter.

Table Continued

Neighbor Entries Deleted Count	The number of neighbor deletions from the MIB for AgeOut Count and forced drops for all ports. For example, if the admin status for port on a neighbor device changes from <code>tx_rx</code> or <code>txonly</code> to <code>disabled</code> or <code>rxonly</code> , the neighbor device sends a "shutdown" packet out the port and ceases transmitting LLDP frames out that port. The device receiving the shutdown packet deletes all information about the neighbor received on the applicable inbound port and increments the counter.
Neighbor Entries Dropped Count	The number of valid LLDP neighbors the switch detected, but could not add. This can occur, For example, when a new neighbor is detected when the switch is already supporting the maximum number of neighbors. See Neighbor maximum on page 246.
Neighbor Entries AgeOut Count	The number of LLDP neighbors dropped on all ports because of Time-to-Live expiring.

Per-Port LLDP Counters:

NumFramesRecvd	The total number of valid, inbound LLDP advertisements received from any neighbors on <i>port-list</i> . Where multiple neighbors are connected to a port through a hub, this value is the total number of LLDP advertisements received from all sources.
NumFramesSent	The total number of LLDP advertisements sent from <i>port-list</i> .
NumFramesDiscarded	The total number of inbound LLDP advertisements discarded by <i>port-list</i> . This can occur, For example, when a new neighbor is detected on the port, but the switch is already supporting the maximum number of neighbors. See Neighbor maximum on page 246. This can also be an indication of advertisement formatting problems in the neighbor device.
Frames Invalid	The total number of invalid LLDP advertisements received on the port. An invalid advertisement can be caused by header formatting problems in the neighbor device.
TLVs Unrecognized	The total number of LLDP TLVs received on a port with a type value in the reserved range. This can be caused by a basic management TLV from a later LLDP version than the one currently running on the switch.
TLVs Discarded	The total number of LLDP TLVs discarded for any reason. In this case, the advertisement carrying the TLV may be accepted, but the individual TLV is not usable.
Neighbor Ageouts	The number of LLDP neighbors dropped on the port because of Time-to-Live expiring.

Examples:

A global LLDP statistics display

```
switch(config)# show lldp stats

LLDP Device Statistics

Neighbor Entries List Last Updated : 2 hours
```

```
New Neighbor Entries Count : 20
Neighbor Entries Deleted Count : 20
Neighbor Entries Dropped Count : 0
Neighbor Entries AgeOut Count : 20
```

LLDP Port Statistics

Port	NumFramesRecvd	NumFramesSent	NumFramesDiscarded
A1	97317	97843	0
A2	21	12	0
A3	0	0	0
A4	446	252	0
A5	0	0	0
A6	0	0	0
A7	0	0	0
A8	0	0	0

A per-port LLDP statistics display

```
switch(config)# show lldp stats 1
```

LLDP Port Statistics Detail

```
PortName : 1
Frames Discarded : 0
Frames Invalid : 0
Frames Received : 7309
Frames Sent : 7231
TLVs Unrecognized : 0
TLVs Discarded : 0
Neighbor Ageouts : 0
```

LLDP Operating Notes

Neighbor maximum

The neighbors table in the switch supports as many neighbors as there are ports on the switch. The switch can support multiple neighbors connected through a hub on a given port, but if the switch neighbor maximum is reached, advertisements from additional neighbors on the same or other ports will not be stored in the neighbors table unless some existing neighbors time-out or are removed.

LLDP packet forwarding

An 802.1D-compliant switch does not forward LLDP packets, regardless of whether LLDP is globally enabled or disabled on the switch.

One IP address advertisement per port

LLDP advertises only one IP address per port, even if multiple IP addresses are configured by `lldp config port-list ipAddrEnable` on a given port.

802.1Q VLAN Information

LLDP packets do not include 802.1Q header information and are always handled as untagged packets.

Effect of 802.1X Operation

If 802.1X port security is enabled on a port, and a connected device is not authorized, LLDP packets are not transmitted or received on that port. Any neighbor data stored in the neighbor MIB for that port prior to the

unauthorized device connection remains in the MIB until it ages out. If an unauthorized device later becomes authorized, LLDP transmit and receive operation resumes.

Neighbor data can remain in the neighbor database after the neighbor is disconnected

After disconnecting a neighbor LLDP device from the switch, the neighbor can continue to appear in the switch's neighbor database for an extended period if the neighbor's `holdtime-multiplier` is high; especially if the `refresh-interval` is large. See [Changing the time-to-live for transmitted advertisements \(CLI\)](#) on page 224.

Mandatory TLVs

All mandatory TLVs required for LLDP operation are also mandatory for LLDP-MED operation.

LLDP and CDP data management

This section describes points to note regarding LLDP and CDP (Cisco Discovery Protocol) data received by the switch from other devices. LLDP operation includes both transmitting LLDP packets to neighbor devices and reading LLDP packets received from neighbor devices. CDP operation is limited to reading incoming CDP packets from neighbor devices. (HPE switches do not generate CDP packets.)

Incoming CDP and LLDP packets tagged for VLAN 1 are processed even if VLAN 1 does not contain any ports. VLAN 1 must be present, but it is typically present as the default VLAN for the switch.



The switch may pick up CDP and LLDP multicast packets from VLAN 1 even when CDP- and /or LLDP-enabled ports are not members of VLAN 1.

LLDP and CDP neighbor data

With both LLDP and (read-only) CDP enabled on a switch port, the port can read both LLDP and CDP advertisements, and stores the data from both types of advertisements in its neighbor database. (The switch **stores** only CDP data that has a corresponding field in the LLDP neighbor database.) The neighbor database itself can be read by either LLDP or CDP methods or by using the `show lldp` commands. Take note of the following rules and conditions:

- If the switch receives both LLDP and CDP advertisements on the same port from the same neighbor, the switch stores this information as two separate entries if the advertisements have different chassis ID and port ID information.
- If the chassis and port ID information are the same, the switch stores this information as a single entry. That is, LLDP data overwrites the corresponding CDP data in the neighbor database if the chassis and port ID information in the LLDP and CDP advertisements received from the same device is the same.
- Data read from a CDP packet does not support some LLDP fields, such as "System Descr," "SystemCapSupported," and "ChassisType." For such fields, LLDP assigns relevant default values. Also:
 - The LLDP "System Descr" field maps to CDP's "Version" and "Platform" fields.
 - The switch assigns "ChassisType" and "PortType" fields as "local" for both the LLDP and the CDP advertisements it receives.
 - Both LLDP and CDP support the "System Capability" TLV. However, LLDP differentiates between what a device is capable of supporting and what it is actually supporting, and separates the two types of information into subelements of the System Capability TLV. CDP has only a single field for this data. Thus,

when CDP System Capability data is mapped to LLDP, the same value appears in both LLDP System Capability fields.

- System Name and Port Descr are not communicated by CDP, and thus are not included in the switch's Neighbors database.



Because HPE switches do not generate CDP packets, they are not represented in the CDP data collected by any neighbor devices running CDP.

A switch with CDP disabled forwards the CDP packets it receives from other devices, but does not store the CDP information from these packets in its own MIB.

LLDP data transmission/collection and CDP data collection are both enabled in the switch's default configuration. In this state, an SNMP network management application designed to discover devices running either CDP or LLDP can retrieve neighbor information from the switch regardless of whether LLDP or CDP is used to collect the device-specific information.

Protocol state	Packet generation	Inbound data management	Inbound packet forwarding
CDP Enabled	N/A	Store inbound CDP data.	No forwarding of inbound CDP packets.
CDP Disabled	N/A	No storage of CDP data from neighbor devices.	Floods inbound CDP packets from connected devices to outbound ports.
LLDP Enabled ¹	Generates and transmits LLDP packets out all ports on the switch.	Store inbound LLDP data.	No forwarding of inbound LLDP packets.
LLDP Disabled	No packet generation.	No storage of LLDP data from neighbor devices.	No forwarding of inbound LLDP packets.

CDP operation and commands

By default the switches have CDP enabled on each port. This is a read-only capability, meaning that the switch can receive and store information about adjacent CDP devices but does not generate CDP packets.

When a CDP-enabled switch receives a CDP packet from another CDP device, it enters that device's data in the CDP Neighbors table, along with the port number where the data was received—and does not forward the packet. The switch also periodically purges the table of any entries that have expired. (The hold time for any data entry in the switch's CDP Neighbors table is configured in the device transmitting the CDP packet and cannot be controlled in the switch receiving the packet.) A switch reviews the list of CDP neighbor entries every three seconds and purges any expired entries.



For details on how to use an SNMP utility to retrieve information from the switch's CDP Neighbors table maintained in the switch's MIB, see the documentation provided with the particular SNMP utility.

Viewing the current CDP configuration of the switch

CDP is shown as enabled/disabled both globally on the switch and on a per-port basis.

Syntax:

```
show cdp
```

Lists the global and per-port CDP configuration of the switch.

The following example shows the default CDP configuration.

Default CDP configuration

```
switch(config)# show cdp

Global CDP information

  Enable CDP [Yes] : Yes (Receive Only)

Port CDP
-----
1      enabled
2      enabled
3      enabled
.      .
.      .
.      .
```

Viewing the current CDP neighbors table of the switch

Devices are listed by the port on which they were detected.

Syntax:

```
show cdp neighbors
```

Lists the neighboring CDP devices the switch detects, with a subset of the information collected from the device's CDP packet.

<pre>[[e] port-numb [detail]]</pre>	Lists the CDP device connected to the specified port. (Allows only one port at a time.) Using <code>detail</code> provides a longer list of details on the CDP device the switch detects on the specified port.
<pre>[detail [[e] port-numb]]</pre>	Provides a list of the details for all of the CDP devices the switch detects. Using <code>port-num</code> produces a list of details for the selected port.

The following example displays the CDP devices that the switch has detected by receiving their CDP packets.

CDP neighbors table listing

```
switch(config)# show cdp neighbors

CDP neighbors information

Port Device ID | Platform | Capability
-----+-----
1 Accounting (0030c1-7fcc40) | J4812A HP Switch. . . | S
2 Researç1-1 (0060b0-889e43) | J4121A HP Switch. . . | S
4 Support (0060b0_761a45) | J4121A HP Switch. . . | S
```

7	Marketing (0030c5_33dc59)	J4313A HP Switch. . .	S
12	Mgmt NIC (099a05-09df9b)	NIC Model X666	H
12	Mgmt NIC (099a05-09df11)	NIC Model X666	H

Enabling and Disabling CDP Operation

Enabling CDP operation (the default) on the switch causes the switch to add entries to its CDP Neighbors table for any CDP packets it receives from other neighboring CDP devices.

Disabling CDP operation clears the switch's CDP Neighbors table and causes the switch to drop inbound CDP packets from other devices without entering the data in the CDP Neighbors table.

Syntax:

```
[no] cdp run
```

Enables or disables CDP read-only operation on the switch.

(Default: Enabled)

Example:

To disable CDP read-only on the switch:

```
switch(config)# no cdp run
```

When CDP is disabled:

- `show cdp neighbors`
displays an empty CDP Neighbors table
- `show cdp`
displays Global CDP information
Enable CDP [Yes]: No

Enabling or disabling CDP operation on individual ports

In the factory-default configuration, the switch has all ports enabled to receive CDP packets. Disabling CDP on a port causes it to drop inbound CDP packets without recording their data in the CDP Neighbors table.

Syntax:

```
[no] cdp enable {< [e] port-list >}
```

Example:

To disable CDP on port A1:

```
switch(config)# no cdp enable a1
```

Configuring CDPv2 for voice transmission

Legacy Cisco VOIP phones only support manual configuration or using CDPv2 for voice VLAN auto-configuration. LLDP-MED is not supported. CDPv2 exchanges information such as software version, device capabilities, and voice VLAN information between directly connected devices such as a VOIP phone and a switch.

When the Cisco VOIP phone boots up (or sometimes periodically), it queries the switch and advertises information about itself using CDPv2. The switch receives the VOIP VLAN Query TLV (type 0x0f) from the phone and then immediately sends the voice VLAN ID in a reply packet to the phone using the VLAN Reply TLV (type 0x0e). The phone then begins tagging all packets with the advertised voice VLAN ID.



A voice VLAN must be configured before the voice VLAN can be advertised. For example, to configure VLAN 10 as a voice VLAN tagged for ports 1 through 10, enter these commands:

```
switch(config)# vlan 10
switch(vlan-10)# tagged 1-10
switch(vlan-10)# voice
switch(vlan-10)# exit
```

The switch CDP packet includes these TLVs:

- CDP Version: 2
- CDP TTL: 180 seconds
- Checksum
- Capabilities (type 0x04): 0x0008 (is a switch)
- Native VLAN: The PVID of the port
- VOIP VLAN Reply (type 0xe): voice VLAN ID (same as advertised by LLDPMED)
- Trust Bitmap (type 0x12): 0x00
- Untrusted port COS (type 0x13): 0x00

CDP should be enabled and running on the interfaces to which the phones are connected. Use the `cdp enable` and `cdp run` commands.

The `pre-standard-voice` option for the `cdp mode` command allows the configuration of CDP mode so that it responds to received CDP queries from a VoIP phone.

Syntax:

```
[no] cdp mode pre-standard-voice [admin-status < port-list > [tx_rx | rxonly]]
```

Enable CDP-compatible voice VLAN discovery with pre-standard VoIP phones. In this mode, when a CDP VoIP VLAN query is received on a port from pre-standard phones, the switch replies back with a CDP packet that contains the VID of the voice VLAN associated with that port.



Not recommended for phones that support LLDP-MED.

pre-standard-voice	Enables CDP-compatible voice VLAN discovery with pre-standard VoIP phones.
admin-status	<p>Sets the port in either transmit and receive mode, or receive mode only. Default: tx-rx.</p> <p><port-list> Sets this port in transmit and receive mode, or receive mode only.</p> <p>rxonly Enable receive-only mode of CDP processing.</p> <p>tx_rx Enable transmit and receive mode.</p>

```
switch(config)# cdp mode pre-standard-voice admin-status A5 rxonly
```

The show cdp output when CDP Run is disabled

```
switch(config)# show cdp
Global CDP information
Enable CDP [yes] : no
```

The show cdp output when cdp run and sdp mode are enabled

```
switch(config)# show cdp

Global CDP Information

Enable CDP [Yes] : Yes
CDP mode [rxonly] : pre-standard-voice
CDP Hold Time [180] : 180
CDP Transmit Interval [60] : 60

Port CDP      admin-status
-----
A1  enabled   rxonly
A2  enabled   tx_rx
A3  enabled   tx_rx
```

When CDP mode is not pre-standard voice, the admin-status column is not displayed.

The show cdp output when cdp run and cdp mode rxonly are enabled

```
switch(config)# show cdp

Global CDP Information

Enable CDP [Yes] : Yes
CDP mode [rxonly] : rxonly

Port CDP
-----
A1  enabled
A2  enabled
A3  enabled
```

The show running-config when admin-status is configured

```
switch(config)# show running-config

Running configuration:

; J9477A Configuration Editor; Created on release #XX.16.09.0000x
; Ver #03:01:1f:ef:f2
hostname "HPSwitch"
module 1 type J9307A
cdp mode pre-standard-voice admin-status A5 RxOnly
```

Filtering CDP information

In some environments it is desirable to be able to configure a switch to handle CDP packets by filtering out the MAC address learns from untagged VLAN traffic from IP phones. This means that normal protocol processing occurs for the packets, but the addresses associated with these packets is not learned or reported by the software

address management components. This enhancement also filters out the MAC address learns from LLDP and 802.1x EAPOL packets on untagged VLANs.

The feature is configured per-port.

Configuring the switch to filter untagged traffic

Enter this command to configure the switch not to learn CDP, LLDP, or EAPOL traffic for a set of interfaces.

Syntax:

```
[no] ignore-untagged-mac <port-list>
```

Prevents MAC addresses from being learned on the specified ports when the VLAN is untagged and the destination MAC address is one of the following:

- 01000C-CCCCCC (CDP)
- 0180c2- 00000e (LLDP)
- 0180c2-000003 (EAPOL)

Configuring the switch to ignore packet MAC address learns for an untagged VLAN

```
switch(config) ignore-untagged-mac 1-2
```

Displaying the configuration

Enter the `show running-config` command to display information about the configuration.

Configuration showing interfaces to ignore packet MAC address learns

```
switch(config) show running-config
```

Running configuration:

```
; J9627 Configuration Editor; Created on release XX.15.XX  
; Ver #03:03.1f.ef:f0
```

```
hostname "HP Switch"  
interface 1  
    ignore-untagged-mac  
    exit  
interface 2  
    ignore-untagged-mac  
    exit  
.  
.  
.  
vlan 1  
    name "DEFAULT_VLAN"  
    untagged 1-24  
    ip address dhcp-bootp  
    exit  
.  
.  
.
```

Filtering PVID mismatch log messages

This enhancement filters out PVID mismatch log messages on a per-port basis. PVID mismatches are logged when there is a difference in the PVID advertised by a neighboring switch and the PVID of the switch port which receives the LLDP advertisement. Logging is an LLDP feature that allows detection of possible vlan leakage between adjacent switches. However, if these events are logged too frequently, they can overwhelm the log buffer and push relevant logging data out of log memory, making it difficult to troubleshoot another issue.

Logging is disabled and enabled with the support of CLI commands.

This enhancement also includes displaying the Mac-Address in the PVID mismatch log message when the port ID is Mac-Address instead of displaying garbage characters in the peer device port ID field.

Use the following command to disable the logging of the PVID mismatch log messages:

Syntax:

```
logging filter [filter-name][sub filter id] <regular-expression> deny
```

Regular-expression

The regular expression should match the message which is to be filtered.

Syntax:

```
logging filter [filter-name] enable
```

DHCPv4 server

Introduction to DHCPv4

The Dynamic Host Configuration Protocol (DHCP) is a network protocol that enables a server to automate assignment of IP addresses to hosts. A DHCP server can be configured to provide other network information like IP addresses of TFTP servers, DNS server, boot file name and vendor specific options. Commonly there are two types of address assignments, dynamic and manual. The lease of dynamic addresses is renewed periodically; manual leases are permanently assigned to hosts. With this feature, you can configure multiple pools of IP addresses for IP address assignment and tracking.

IP pools

A DHCP server is configured with IP pools. The server is then instructed to use IP addresses falling into the specified range of IP while offering leases. Multiple IP pools are configured to not have duplicate or overlapping IP subnets. You can also configure a DHCP server with multiple IP ranges within an IP subnet; this confines the allocatable IP addresses within the configured IP pool.

An IP pool will be claimed valid only if it is either:

- Dynamic pool – Has a network address, subnet mask and IP range(s)
- Static pool – Should have a static IP-to-MAC binding.

The DHCP server will discard the invalid and incomplete pools and will only operate on the valid IP pools. The DHCP server will require at least one valid pool to start.

DHCP options

On a DHCP server, an IP pool is configured with various options. These options signify additional information about the network. Options are supported with explicit commands such as `boot-file`. Option codes that

correspond to explicit commands can not be configured with a generic option command; the generic option command requires an option code and TLV.



RFC 2132 defines various network information that a client may request when trying to get the lease.

BootP support

The DHCP server also functions as BootP server. A manual binding configured in a static IP Pool may either service a BootP client request or a DHCP client request.

Authoritative server and support for DHCP inform packets

The server message `DHCPinform` may be received when the server is already configured for static IPv4 addresses so that the server can to get configuration parameters dynamically.



RFC 2131 states that if a client has obtained a network address through some other means (e.g., manual configuration), it may use a `DHCPinform` request message to obtain other local configuration parameters. Servers receiving a `DHCPinform` message construct a `DHCPACK` message with any local configuration parameters appropriate for the client without: allocating a new address, checking for an existing binding, filling in `yiaddr` or including lease time parameters.

Authoritative pools

To process the `DHCPINFORM` packets received from a client within the given IP pool, a DHCP server has to be configured as `authoritative` for that IP pool. The server is the sole authority for this IP pool so when a client requests an IP address lease where the server is authoritative, and the server has no record of that IP address, the server will respond with `DHCPNAK` message which indicates that the client should no longer use that IP address. Any `DHCPINFORM` packet received for a non-authoritative pool will be ignored by the DHCP server.

The `authoritative` command has no effect when configured on a static pool or an incomplete pool without a network statement. In such cases, the server intentionally not send an error message.

A CLI toggle is provided under the `pool` context that will allow the `authoritative` configuration.



The `authoritative` command requires a network statement to be configured on a pool.

Authoritative dummy pools

A dummy pool, without the `range` statement, can be configured and made authoritative. A dummy pool allows static-bind entries which do not have matching dynamic pools with network statements to be configured. By creating a dummy pool on a DHCP server, the support for `DHCPinform` packets will not be actively serving the client on this pool. No active leases or resource consumption will be sent to the DHCP server when this option is used.

Dummy pools help the DHCP server learn the network topology.

Example

```
dhcp-server pool dummy192
network 192.168.10.0 255.255.255.255
option 1...
option 2...
```

```

:
option n...
authoritative
exit

```

Change in server behavior

Making the server authoritative for an IP pool changes how the server processes `DHCP REQUEST` packets.

The table below exhibits the behavior on the receiving `DHCP REQUEST` and `DHCP INFORM` packets, from DHCP clients residing on either authoritative or non-authoritative pools.

Table 20: *Authoritative and non-authoritative pools*

When a DHCP client sending..	Authoritative Pool			Non-authoritative pool		
	For Own IP	For IP belonging to different client	Unknown IP falling outside the range	For Own IP	For IP belonging to different client	Unknown IP falling outside the range
DHCP INFORM	send ACK	send ACK	send ACK	DROP	DROP	DROP
DHCP REQUEST	send ACK	send NACK	send NACK	send ACK	DROP	DROP

DHCPv4 configuration commands

Enable/disable the DHCPv4 server

Syntax

```
[no] dhcp-server [enable | disable]
```

To enable/disable the DHCPv4 server in a switch.

- Enable the DHCPv4 server on the device. The `no` form of this command will remove all DHCPv4 server configurations.
- Disable the DHCPv4 server on the device. The `no` form of this command will remove all DHCPv4 server configurations.

The default is disabled.

Configuring the DHCP address pool name

Use the following command in the global configuration mode to configure the DHCP address pool name and enter the DHCP pool context.

A maximum of 128 pools are supported.

Syntax

```
[no] dhcp-server pool < pool-name>
```

Configure the DHCPv4 server IP address pool with either a static IP or a network IP range.

pool

DHCPv4 server IP address pool.

ASCII-STR

Enter an ASCII string.

authoritative

Configure the DHCP server authoritative for a pool.

bootfile-name

Specify the boot file name which is used as a boot image.

default-router

List of IP addresses of the default routers.

dns-server

List of IP addresses of the DNS servers.

domain-name

Configure the DNS (Domain Name System) domain name for translation of hostnames to IP addresses.

lease

Lease period of an IP address.

netbios-name-server

List of IP addresses of the NetBIOS (WINS) name servers.

netbios-node-type

NetBIOS node type for a Microsoft DHCPv4 client.

network

Subnet IP and mask of the DHCPv4 server address pool.

option

Raw DHCPv4 server options.

range

Range of IP addresses for the DHCPv4 server address pool.

static-bind

Static binding information for the DHCPv4 server address pool.

tftp-server

Configure a TFTP server for the DHCPv4 server address pool.

Validations

Validation	Error/Warning/Prompt
Configuring pool when maximum Number of pools already configured.	Maximum number of pools (128) has already been reached
Configuring Pool with a name that exceeds the maximum length requirement.	String %s too long. Allowed length is 32 characters.

Table Continued

Trying to delete non existing pool	The specified address pool does not exist.
Only alphanumeric characters, numerals and underscore is allowed in the pool name. Violating this would throw the following error message.	Invalid name. Only alphanumeric characters and hyphen are allowed.
Trying to delete existing pool or adding new pool when DHCP server enabled.	DHCP server should be disabled before changing the configuration.

Authoritative

Syntax

```
[no] authoritative
```

authoritative

Configure the DHCP server authoritative for a pool.

The DHCP server is the sole authority for the network configured under this pool. When the DHCP server is configured as authoritative, the server will respond with DHCP ACK or NACK as appropriate for all the received DHCP REQUEST and DHCP INFORM packets belonging to the subnet.

Non-authoritative DHCP INFORM packets received from the clients on a non-authoritative pool will be ignored.

Specify a boot file for the DHCP client

Syntax

```
[no] bootfile-name<filename>
```

Specify the boot file name to be used as the boot image.

Configure a default router for a DHCP client

Syntax

```
[no] default-router <IP-ADDR-STR> [IP-ADDR2 ... IP-ADDR8]
```

Configure the DHCP pool context to the default router for a DHCP client. List all of the IP addresses of the default routers.

Two IP addresses must be separated by a comma.

A maximum of eight default routers can be configured.

Configure the DNS IP servers

Syntax

```
[no] dns-server <IP-ADDR> [IP-ADDR2 ... IP-ADDR8]
```

Configure the DHCP pool context to the DNS IP servers that are available to a DHCP client. List of IP addresses of the DNS servers.

Two IP addresses must be separated by comma.

A maximum of eight DNS servers can be configured.

Configure a domain name

Syntax

```
[no] domain-name <name>
```

Configure the DNS domain name for translation of hostnames to IP addresses.

Configure lease time

Syntax

```
[no] lease [DD:HH:MM | infinite]
```

DD:HH:MM

Enter lease period.

Lease

Lease period of an IP address.

Configure the lease time for an IP address in the DHCP pool. Lease time is infinite for static pools.

The default lease period is one day.

Configure the NetBIOS WINS servers

Syntax

```
[no] netbios-name-server <IP-ADDR-STR> [IP-ADDR2 ... IP-ADDR8]
```

Configure the DHCP pool for the NetBIOS WINS servers that are available to a Microsoft DHCP client. List all IP addresses of the NetBIOS(WINS) name servers. The Windows Internet Naming Service (WINS) is a name resolution service that Microsoft DHCP clients use to correlate host names to IP addresses within a general grouping of networks.

Two IP addresses must be separated by a comma.

A maximum of 8 NetBIOS (WINS) name servers can be configured.

Configure the NetBIOS node type

Syntax

```
[no] netbios-node-type [ broadcast | hybrid | mixed | peer-to-peer ]
```

broadcast

Broadcast node.

hybrid

Hybrid node.

mixed

Mixed node.

peer-to-peer

Peer to peer node.

Configure the DHCP pool mode to the NetBIOS node type for a Microsoft DHCP. The NetBIOS node type for Microsoft DHCP clients can be one of four settings: broadcast, peer-to-peer, mixed, or hybrid.

Configure subnet and mask

Syntax

```
[no] network <ip-addr/mask-length>
```

ip-addr/mask-length

Interface IP address/mask.

Configure the DHCPv4 server pool subnet and mask for the DHCP server address pool.

Range is configured to enable pool.

Configure DHCP server options

Syntax

```
[no] option <CODE> {ascii <ascii-string>|hex <hex-string>|ip <IP-ADDR-STR>[IP-ADDR2 ... IP-ADDR8]}
```

ascii

Specify ASCII string as option code value.

hex

Specify hexadecimal string as option code value.

ip

Specify one or more IP addresses as option code value.

ip-addr-str

Specify IP address.

ascii-str

Enter an ASCII string.

hex-str

Specify Hexadecimal string.

Configure the raw DHCP server options.

Configure the range of IP address

Syntax

```
[no] range <IP-ADDR>[<IP-ADDR>]
```

range

Range of IP addresses for the DHCPv4 server address pool.

ip-addr

Low IP address.

High IP address.

Configure the DHCP pool to the range of IP address for the DHCP address pool.

Configure the static binding information

Syntax

```
[no] static-bind ip<IP-ADDR/MASK-LENGTH> mac <MAC-ADDR>
```

ip

Specify client IP address.

static-bind

Static binding information for the DHCPv4 server address pool.

ip-addr / mask-length

Interface IP address or mask.

mac

Specify client MAC address.

mac-addr

Enter a MAC address.

Configure static binding information for the DHCPv4 server address pool. Manual bindings are IP addresses that have been manually mapped to the MAC addresses of hosts that are found in the DHCP database. Manual bindings are just special address pools. There is no limit on the number of manual bindings but you can only configure one manual binding per host pool.

Configure the TFTP server domain name

Syntax

```
[no] tftp-server [server-name <server-name> | server-ip < ip-address >]
```

tftp-server

Configure a TFTP server for the DHCPv4 server address pool.

server-name

TFTP server name for the DHCPv4 server address pool.

Configure the TFTP server domain name for the DHCP address pool.

Configure the TFTP server address

Syntax

```
[no] tftp-server server-ip <ip-address>
```

server-ip

TFTP server IP addresses for the DHCPv4 server address pool.

ip-addr

Specify TFTP server IP address.

Configure the TFTP server address for the DHCP address pool.

Change the number of ping packets

Syntax

```
[no] dhcp-server ping [packets <0-10>|timeout <0-10>]
```

ping

Specify DHCPv4 ping parameters.

packets

Specify number of ping packets.

<0-10>

Number of ping packets (0 disables ping).

Specify, in the global configuration context, the number of ping packets the DHCP server will send to the pool address before assigning the address. The default is two packets.

Change the amount of time

Syntax

```
[no] dhcp-server ping timeout <1-10>
```

timeout

Ping timeout.

<1-10>

Ping timeout in seconds.

Amount of time the DHCPv4 server must wait before timing out a ping packet. The default is one second.

Configure DHCP Server to save automatic bindings

Syntax

```
[no] dhcp-server database [file ASCII-STR] [delay<15-86400>][timeout <0-86400>]
```

delay

Seconds to delay writing to the lease database file.

file

URL Format: "tftp://<ip-address>/<filename>".

database

Specifies DHCPv4 database agent and the interval between database updates and database transfers.

timeout

Seconds to wait for the transfer before failing.

ascii-str

Database URL.

<15-86400>

Delay in seconds.

<0-86400>

Timeout in seconds.

Specifies DHCPv4 database agent and the interval between database updates and database transfers.

Configure a DHCP server to send SNMP notifications

Syntax

```
[no] snmp-server enable traps dhcp-server
```

dhcp-server

Traps for DHCP-Server.

Configure a DHCP server to send SNMP notifications to the SNMP entity. This command enables or disables event traps sent by the switch.

Enable conflict logging on a DHCP server

Syntax

```
[no] dhcp-server conflict-logging
```

conflict-logging

Enable DHCPv4 server address conflict logging.

Enable conflict logging on a DHCP server. Default is disabled.

Enable the DHCP server on a VLAN

Syntax

```
[no] dhcp-server
```

dhcp-server

Enable DHCPv4 server on a VLAN (VLAN context command).

Enable DHCPv4 server on a VLAN. DHCPv4 client or DHCPv4 relay cannot co-exist with DHCPv4 server on a VLAN.

Clear commands

Syntax

```
clear dhcp-server conflicts [ip-addr]
```

dhcp-server

Clears the DHCPv4 server information.

ip-addr

Specify the IP address whose conflict is to be cleared.

Reset DHCPv4 server conflicts database. If IP address is specified, reset only that conflict.

Reset all DHCP server and BOOTP counters

Syntax

```
clear dhcp-server statistics
```

statistics

Reset DHCPv4 server and BOOTP counters.

Reset all DHCP server and BOOTP counters

Delete an automatic address binding

Syntax

```
clear dhcp-server binding ip-addr
```

binding

Reset DHCPv4 server automatic address bindings.

ip-addr

Specify IP address of the binding is to be cleared.

Delete an automatic address binding from the DHCP server database.

Show commands

Display the DHCPv4 server address bindings

Syntax

```
show dhcp-server binding
```

dhcp-server

Show DHCPv4 server global configuration information for the device.

binding

Show DHCPv4 server IP binding information for the device.

Display the DHCPv4 server address bindings on the device.

Display address conflicts

Syntax

```
show dhcp-server conflicts
```

conflicts

Show DHCPv4 server conflicts information for the device.

Display address conflicts found by a DHCPv4 server when addresses are offered by a client.

Display DHCPv4 server database agent

Syntax

```
show dhcp-server database
```


Database

Show DHCPv4 server database information for the device.

Display DHCPv4 server database agent information.

Display DHCPv4 server statistics

Syntax

```
show dhcp-server statistics
```

statistics

Show DHCPv4 server statistics information for the device.

Display DHCPv4 server statistics.

Display the DHCPv4 server IP pool information

Syntax

```
show dhcp-server pool <pool-name>
```

Pool

Show DHCPv4 server pool information for the device.

Display the DHCPv4 server IP pool information.

Display DHCPv4 server global configuration information

Syntax

```
show dhcp-server
```

dhcp-server

Show DHCPv4 server global configuration information for the device.

Display DHCPv4 server global configuration information.

Event log

Event Log Messages

Table 21: Event Log Messages

Events	Debug messages
DHCP server is enabled globally.	DHCP server is enabled globally.
DHCP server is enabled globally.Warnings - One or more incomplete pool configurations are found during the server startup. A dynamic pool is considered invalid, if network IP or subnet mask is not configured. A static pool is considered incomplete, if network IP, subnet mask or MAC address is not configured.	DHCP server is enabled globally.Warning -One or more incomplete pool configurations are found during the server startup.
DHCP server failed to start. The reason for failure is printed as the argument.	DHCP server failed to start: %s "with a manual binding.
DHCP server is disabled globally.	DHCP server is disabled globally.
The DHCP server configurations are deleted.	The DHCP server configurations are deleted
Decline from client when server assigns an illegal Ipv6 address.	%s: Decline offer from %x (server) of %x because the address is illegal.
DHCP server is enabled on a specific VLAN.	DHCP server is enabled on VLAN %d
DHCP server is disabled on a specific VLAN.	DHCP server is disabled on VLAN %d
Ping check is enabled and configured with specified retry count and timeout values	Ping-check configured with retry count = %d, timeout = %d
Ping check is disabled	Ping-check is disabled
Conflict-logging is enabled	Conflict-logging is enabled
Conflict-logging is disabled.	Conflict-logging is disabled.
A specific IP address is removed from the conflict logging database.	IP address %s is removed from the conflict-logging database.
All IP addresses are removed from the conflict-logging database.	All IP addresses are removed from the conflict-logging database
Dynamic binding for a specific IP address is freed.	Dynamic binding for IP address %s is freed
All the dynamic IP bindings are freed.	All the dynamic IP bindings are freed

Table Continued

Events	Debug messages
Remote binding database is configured for a specific URL.	Remote binding database is configured at %s
Remote binding database is disabled.	Remote binding database is disabled
Binding database is read from the specified URL at the specified time	Binding database read from %s at %s
Failed to read the remote binding from the specified URL.	Failed to read the remote binding database at %s
Binding database is written to the specified URL at the specified time.	Binding database written to %s at %s
Failed to write the binding database to the specified URL. The reason for failure is printed as argument.	Failed to write the binding database to %s. Error: %s
Invalid bindings are found in the database at the specified URL.	Invalid binding database at %s
The specified VLAN does not have a matching IP pool configured. This occurs when the DHCP-server is enabled on the specified VLAN, but no IP pool is configured with a network IP matching the VLAN network IP.	VLAN %d does not have a matching IP pool
Binding database is replicated to standby management module.	Binding database is replicated to standby management module
DHCP server is listening for DHCP packets. This message is displayed when DHCP server is enabled globally and DHCP server is enabled on at-least one VLAN.	DHCP server is listening for DHCP packets
DHCP server is disabled on all the VLANs. Server is no longer listening for DHCP packets.	DHCP server is disabled on all the VLANs. Server is no longer listening for DHCP packets
The specified IP is not offered to the DHCP client, as it is already in use.	IP address %s is not offered, as it is already in use
No IP addresses available on the specified pool.	No IP addresses to offer from pool %s
High threshold reached for the specified pool. Count of Active bindings and Free bindings are printed as arguments.	High threshold reached for pool %s. Active bindings: %d, Free bindings: %d

Table Continued

Events	Debug messages
Low threshold reached for the specified pool. Count of Active bindings and Free bindings are printed as arguments.	Low threshold reached for pool %s. Active bindings: %d, Free bindings: %d
No active VLAN with an IP address is available to read binding database from the configured URL.	No active Vlan with an IP address available to read binding database

LLDP Management TLV Transmission disablement

Overview

A command has been written to suppress the IPv4 / IPv6 management address transmission in outgoing LLDP packets.

A local LAN device transmits organization-specific information in the form of type, length, and value (TLV). The organization-associated values are stored in the LLDP organizationally defined local device LLDP MIB extensions. Management address TLV in IPv4 and IPv6 environments is optional from the TLV basic management set.

TLV basic management set

- Port description TLV — Describes the port in an alpha-numeric format. The value equals the `ifDescr` object, if the LAN device supports RFC 2863.
- System name TLV — Assigns the system name in an alpha-numeric format. The value equals the `sysName` object, if the LAN device supports RFC 3418.
- System description TLV — Describes the network entity in an alpha-numeric format. The system description TLV includes the system name, versions of hardware, operating system, and networking software supported in the device. The value equals the `sysDescr` object, if the LAN device supports RFC 3418.
- System capabilities TLV — Indicates primary functions of the device and if they are enabled in the device.
- Management address TLV — Indicates the addresses of the local LLDP agent. Other remote managers can use this address to obtain information related to the local device.

The command `lldp config <all> ipAddrEnable <IP_ADDR>` is used to advertise specific IP address through the port.

The command `[no] lldp config <PORT_NO> basicTlvEnable management_addr` suppresses the IP address to be advertised.

Commands

[no] lldp config basicTlvEnable management_addr

Syntax

In the configure context:

```
[no] lldp config <PORT_NUM> basicTlvEnable management_addr
```

Description

The feature suppresses the IPv4 or IPv6 address as well as suppresses the MAC address if the `[no] ip address` is configured. By default this management address TLV is enabled in switch. No other TLV (except management address TLV) suppression will occur when this command is used.

Parameters

Management_addr

Management TLV

Example

```
[no] lldp config all basicTlvEnable management_addr
```

lldp config

Syntax

```
lldp config <port-number>
```

Description

Configure the lldp for the desired port by number.

Parameter

basicTlvEnable

Enables the basic advertised TLV for each port by number.

Options

<management_addr>

Use the option `<management_addr>` to specify specific devices to enable TLV advertisement.

Usage

```
lldp config <port_num> basicTlvEnable <management_addr>
```

Show commands

Use the command `show running-config` to view the lldp configuration.

Example

```
switch# show running-config
Running configuration:
...
no lldp config 1 basicTlvEnable management_addr
```

Example

```
switch# show lldp config 1
LLDP Port Configuration Detail

Port : 1
AdminStatus [Tx_Rx] : Tx_Rx
NotificationEnabled [False] : False
Med Topology Trap Enabled [False] : False
TLVS Advertised:
```

* management_addr

IpAddress Advertised:

The Captive Portal feature allows the support of the ClearPass Policy Manager (CPPM) into the ArubaOS-Switch product line. The switch provides configuration to allow you to enable or disable the Captive Portal feature. By default, Captive Portal is disabled to avoid impacting existing installations as this feature is mutually exclusive with the following web-based authentication mechanisms: Web Authentication, EWA, MAFR, and BYOD Redirect.

Captive Portal is user-based, rather than port or VLAN-based, therefore the configuration is on a switch global basis. ArubaOS-Switch supports the following authentication types on the switch with RADIUS for Captive Portal:

- Media Access Control (MAC)
- 802.1X

Once you enable Captive Portal, the redirect functionality is triggered only if a redirect URL attribute is provided as part of the RADIUS Access-Accept response from an authentication request of type 802.1X or MAC. The redirect enables the client to self-register or directly login with valid credentials via the CPPM. Upon subsequent re-authentication, it provides access to the network per the CPPM configured policies that are communicated via the RADIUS attributes.

The redirect feature offers:

- Client self-registration
- Client direct login with valid credentials via CPPM Captive Portal
- On-boarding
- Ability to quarantine devices to remedy their status

Requirements

HTTPS support requires a certificate to be configured on the switch with a usage type of `all` or `captive-portal`.

Best Practices

- Use the Port Bounce VSA via a CoA message, instead of the Disconnect message, to cause the second RADIUS authentication to occur during the Captive Portal exchange. This is the more reliable method for forcing a re-DHCP for the client.
- Configure Captive Portal such that the first `ACCESS_ACCEPT` returns a rate limit VSA to reduce the risk of DoS attacks. This configuration enables rate limiting for the HTTP/HTTPS ACL for traffic sent to CPPM.
- Do not use the keyword `cpy` in any other `NAS-Filter-Rules`. The keyword `cpy` in the enforcement profile attributes is specific to CPPM use. It is only supported with the `deny` attribute. If you configure the `cpy` keyword to `permit`, no ACL will be applied.

Limitations

- Captive Portal is supported in CPPM versions 6.5.5 and later. However, by manually modifying the RADIUS dictionary files, any CPPM version 6.5.* can be used.
- Captive Portal does not support v1 modules, and will not work unless compatibility mode is turned off.
- Captive Portal does not support IPv6.
- Simultaneous Captive Portal client connections: maximum of 512
- Captive Portal does not support web proxy. The permit CPPM ACLs and the steal ACLs only use port 80 and 443. Non-standard ports for HTTP and HTTPS are not supported.
- Captive Portal is mutually exclusive with the following web-based authentication mechanisms: Web Authentication, EWA, MAFR, and BYOD.
- URL-string limitation of 253 characters.

Features

High Availability

Captive Portal includes support for High Availability (HA). The Captive Portal configurations (such as enablement, authenticated clients, and redirect URLs) are replicated to standby or other members.

If the feature is enabled and a failover occurs, clients in the process of onboarding are still redirected to Captive Portal, and authenticated clients continue to have the same access to the network.

Clients that are in the process of authenticating via MAC or 802.1X authentication will not be replicated to the standby. Replication of client data is only done when MAC or 802.1X authentication has resulted in a successful authentication.

Load balancing and redundancy

The following options are available to create load balancing and provide redundancy for CPPM:

- Virtual IP use for a CPPM server cluster
- CPPM servers configured in the switch RADIUS server group
- External load balancer

Captive Portal when disabled

By default, Captive Portal is disabled. If the Captive Portal feature is disabled and the switch receives a redirect URL attribute from the RADIUS server as part of the Access-Accept, it will view the redirect as an error. The authentication success will be overridden, the session will be flushed, and the switch will send the Accounting Start and Accounting Stop messages to indicate the client is no longer authenticated.

The Captive Portal feature may be disabled while there are in flight authentication requests. These are authentication sessions that have not finished the final authentication with the switch. The switch flushes all sessions with a redirect URL associated with them when Captive Portal is disabled.

Fully authenticated sessions are not impacted when Captive Portal is disabled. If CPPM deems these sessions to be invalid, a RADIUS Disconnect can be sent to flush all these sessions.

Disabling Captive Portal

To disable Captive Portal, enter one of the following:

```
switch(config)# aaa authentication captive-portal disable
```

```
switch(config)# no aaa authentication captive-portal enable
```

Configuring Captive Portal on CPPM

Procedure

1. Importing the HP RADIUS dictionary
2. Creating enforcement profiles
3. Creating a ClearPass guest self-registration
4. Configuring the login delay

Import the HP RADIUS dictionary

For CPPM versions 6.5.*, you must update the HP RADIUS dictionary. To import the dictionary in CPPM, follow these steps:

Procedure

1. Go to **Administration** -> **Dictionaries** -> **RADIUS** and click **Import**.
2. Select the XML HP RADIUS Dictionary from your Hard Drive.
3. Click **Import**.

Create enforcement profiles



Create the HPE Bounce Host-Port profile and the Guest Login profile only if they do not already exist.

For the HPE Bounce Host-Port profile, configure Captive Portal so that the RADIUS CoA message that includes the Port Bounce VSA is sent to force the second RADIUS re-authentication after the user registers their device and makes it known.

Procedure

1. In CPPM, go to **Configuration** -> **Enforcement** -> **Profiles**
2. Click **Add**.
3. Enter the Profile Name: **HPE Bounce Host-Port**
4. Enter the Description: **Custom-defined profile to bounce host port (HPE)**.
5. Select the type **RADIUS_CoA**.
6. Select the action **CoA**.

7. Add all of the attributes required for a CoA message, and specify the port bounce duration (valid values are between 0 and 60). This is the amount of time in seconds the port will be held in the down state. The recommended setting is 12 seconds.

Summary		Profile		Attributes	
Profile:					
Name:	HPE Bounce Host-Port				
Description:	Custom-defined profile to bounce host port (HPE)				
Type:	RADIUS_CoA				
Action:	CoA				
Device Group List:	-				
Attributes:					
Type	Name		Value		
1. Radius:IETF	User-Name	=	%{Radius:IETF:User-Name}		
2. Radius:IETF	Calling-Station-Id	=	%{Radius:IETF:Calling-Station-Id}		
3. Radius:IETF	NAS-Port	=	%{Radius:IETF:NAS-Port}		
4. Radius:IETF	NAS-IP-Address	=	%{Radius:IETF:NAS-IP-Address}		
5. Radius:IETF	Event-Timestamp	=	%{Radius:IETF:Event-Timestamp}		
6. Radius:HPE	HPE-Port-Bounce-Host	=	12		

8. Repeat **Step 2 to Step 6** to configure the Guest Login profile that will be sent as part of the first RADIUS Access-Accept and enforce the redirect to the Captive Portal on CPPM. For this profile, select **RADIUS** as the type and **Accept** as the action.
9. Add all of the NAS-Filter-Rule attributes specified below, replacing the IP address in the first two NAS-Filter-Rule attributes with your CPPM address. Add the HPE-Captive-Portal-URL attribute to specify the redirect URL, replacing the IP address with your CPPM address. This will cause the client to be redirected to the Captive Portal on CPPM. You can add other attributes, such as a VLAN to isolate onboarding clients, or a rate limit to help prevent DoS attacks.



The HPE-Captive-Portal-URL value must be a URL normalized string. The scheme and host must be in lower case, for example `http://www.example.com/`.

Summary		Profile		Attributes	
Profile:					
Name:	HPE Wired Guest Login				
Description:					
Type:	RADIUS				
Action:	Accept				
Device Group List:	-				
Attributes:					
Type	Name		Value		
1. Radius:IETF	Tunnel-Type	=	VLAN (13)		
2. Radius:IETF	Tunnel-Medium-Type	=	IEEE-802 (6)		
3. Radius:IETF	Tunnel-Private-Group-Id	=	100		
4. Radius:HPE	HPE-Captive-Portal-URL	=	http://10.73.4.136/guest/aruba_guest.php		
5. Radius:IETF	NAS-Filter-Rule	=	permit in tcp from any to 10.73.4.136 80		
6. Radius:IETF	NAS-Filter-Rule	=	permit in tcp from any to 10.73.4.136 443		
7. Radius:IETF	NAS-Filter-Rule	=	deny in tcp from any to any 80 cpy		
8. Radius:IETF	NAS-Filter-Rule	=	deny in tcp from any to any 443 cpy		
9. Radius:IETF	NAS-Filter-Rule	=	permit in udp from any to any 53		
10. Radius:IETF	NAS-Filter-Rule	=	permit in udp from any to any 67		

Create a ClearPass guest self-registration

Procedure

1. From the Customize Guest Registration window, select **Server-initiated** as the Login Method.
2. Optionally, under Security Hash, select the level of checking to apply to the redirect URL.

Customize Guest Registration	
Login Options controlling logging in for self-registered guests.	
Enabled:	<input type="checkbox"/> Enable guest login to a Network Access Server
* Vendor Settings:	Aruba Networks Select a predefined group of settings suitable for standard network configurations.
Login Method:	Server-initiated – Change of authorization (RFC 3576) sent to controller Select how the user's network login will be handled. Server-initiated logins require the user's MAC address to be available, usually from the captive portal redirection process.
Security Hash:	Do not check – login will always be permitted Select the level of checking to apply to URL parameters passed to the web login page. Use this option to detect when URL parameters have been modified by the user, for example their MAC address.
Default Destination Options for controlling the destination clients will redirect to after login.	
* Default URL:	<input type="text"/> Enter the default URL to redirect clients. Please ensure you prepend "http://" for any external domain.
Override Destination:	<input type="checkbox"/> Force default destination for all clients If selected, the client's default destination will be overridden regardless of its value.
<input type="button" value="Save Changes"/> <input type="button" value="Save and Continue"/>	

Configure the login delay

Enter the **Login Delay** value. The value must be greater than the `HPE-Port-Bounce-Host` attribute. In this example, we set the login delay value to 20 seconds.

Automatic Login

Options controlling automatically logging in from the receipt form.

* Login Delay:	<input type="text" value="20"/> seconds The time in seconds to delay while displaying the login message.
----------------	---

Social Logins

Optionally present guests with various social login options.

Social Login:	<input type="checkbox"/> Enable login with social network credentials
---------------	---

Configuring the switch

Once you have configured Captive Portal, you can configure the switch. To configure the switch, you must first configure the switch as a RADIUS client, then configure the ports that will be used for Captive Portal, as follows:

Procedure

1. Configure the switch as a RADIUS client. In this example, the CPPM IP address is `10.73.4.136` and `secret` is the secret key shared with the RADIUS server:

- a. `switch(config)# radius-server host 10.73.4.136 key "secret"`
- b. `switch(config)# radius-server host 10.73.4.136 dyn-authorization`
- c. `switch(config)# radius-server host 10.73.4.136 time-window 0`



Make sure to set your time-window to 0. See [Event Timestamp not working](#).

2. Configure the ports that will be used for Captive Portal. In this example, the commands enable ports B3-B5 for MAC Authentication:

- a. `switch(config)# aaa authentication port-access chap-radius`
- b. `switch(config)# aaa port-access mac-based B3-B5`

3. If you configured the `Security Hash to Deny login on validation error` in [Create a ClearPass guest self-registration](#) on page 275, configure the URL key.

See [Configure the URL key](#) on page 276.

4. Configure the certificate. See [Configuring a certificate for Captive Portal usage](#) on page 277

5. Enable Captive portal:

```
switch(config)# aaa authentication captive-portal enable
```

By default, Captive Portal is disabled. Once enabled, you are redirected to the URL supplied via the HPE-Captive-Portal-URL VSA. Captive Portal is enabled on a global/switch wide basis.

Configure the URL key

You can optionally configure a URL hash key to provide some security for the Captive Portal exchange with CPPM. The key is a shared secret between CPPM and the switch. When configured, the switch generates a HMAC-SHA1 hash of the entire redirect URL, and appends the hash to the URL to be sent to CPPM as part of the HTTP redirect. If CPPM is configured to check the hash, it will generate the hash of the URL using its version of the URL hash key and compare against the value provided by the switch. The action taken by CPPM upon a match or mismatch is determined by what is configured on CPPM.

CPPM provides the following options:

- Do not check - login will always be permitted
- Deny login on validation error - login will not be permitted

The URL hash key is globally configured and will be used for all redirects to Captive Portal. This key is not configured on a per CPPM or RADIUS server basis. If the key is not specified, the hash is not added to the URL. The URL hash key is an ASCII string with a maximum length of 64 characters.

The URL key supports the FIPS certification feature `encrypt-credentials` and can optionally be encrypted for more robust security. This option is only available when the global `encrypt-credentials` is enabled.

To configure a plain text captive-portal URL key:

```
switch(config)# aaa authentication captive-portal url-hash-key plaintext <KEY>
```

To configure an encrypted captive-portal URL key when encrypt-credentials is enabled:

```
switch(config)# aaa authentication captive-portal url-hash-key encrypted <ENCRYPTED-KEY>
```

To clear a captive-portal URL key:

```
switch(config)# no aaa authentication captive-portal url-hash-key
```

Configuring a certificate for Captive Portal usage

HTTPS support requires the use of a certificate. If a certificate for Captive Portal does not exist, the certificate designated for all use is used instead.

To create a certificate signing request for Captive Portal, enter:

```
switch(config)# crypto pki create-csr certificate-name <cert-name> usage captive-portal
```

To create a self-signed certificate for Captive Portal, enter:

```
switch(config)# crypto pki enroll-self-signed certificate-name
```

Display Captive Portal configuration

To display the Captive Portal configuration settings, enter the `show captive-portal` command:

```
switch(config)# show captive-portal
```

```
Captive Portal Configuration
Redirection Enabled      : Yes
URL Hash Key Configured : No
```

Show certificate information

To view the certificate information, enter:

```
switch(config)# show crypto pki local-certificate
```

Name	Usage	Expiration	Parent / Profile
cp	Captive Portal	2016/08/14	default

Troubleshooting

Event Timestamp not working

Symptom

The client gets a credentials request on the web browser even though the valid credentials were already provided, or the client is not redirected to the Captive Portal.

Cause

- ClearPass 6.5.x does not support the sending of `Event Timestamp` in automated workflows (manual via Access Tracker works).
- The switch will reject CoA requests when the time on CPPM is ahead of the switch time by even a second.

Action

Set the time-window security feature in PVOS to 0:

```
radius-server host<CLEARPASS-IP> time-window 0
```

Cannot enable Captive Portal

Symptom

When running the `aaa authentication captive-portal enable` command, getting the following error message:

```
Captive portal cannot be enabled when BYOD redirect, MAC authentication failure redirect, or web-based authentication are enabled.
```

Cause

The failure is due to a mutual exclusion restriction.

Action

1. Check which one of the following are enabled: BYOD redirect, MAC authentication failure redirect, or web-based authentication.
2. Disabled the enabled authentication method found in step 1.
3. Run the `aaa authentication captive-portal enable` command.

Unable to enable feature

Symptom

One of the following messages is displayed:

- `BYOD redirect cannot be enabled when captive portal is enabled.`
- `MAC authentication failure redirect cannot be enabled when captive portal is enabled.`
- `Web-based authentication cannot be enabled when captive portal is enabled.`
- `V1 compatibility mode cannot be enabled when captive portal is enabled.`

Cause

You cannot enable these features when Captive Portal is already enabled. They are mutually exclusive.

Action

You can either disable Captive Portal or avoid enabling these features.

Authenticated user redirected to login page

Symptom

User is redirected back to the login page to submit credentials even after getting fully authenticated.

Solution 1

Cause

The status is not changed to Known.

Action

After the client submits the credentials, the CPPM service must change the Endpoint Status to `Known`.

Solution 2

Cause

The cache value is set.

Action

Clear the CPPM Cache Timeout of the Endpoint Repository.

Unable to configure a URL hash key

Symptom

The following message is displayed:

```
Key exceeds the maximum length of 64 characters.
```

Cause

The URL hash key is not valid.

Action

Select a key that is 64 or less ASCII text. For example:

```
switch(config)# aaa authentication captive-portal url-hash-key plaintext  
"8011A89FEAE0234BCCA"
```

authentication command

Use the following authentication commands to configure ClearPass Captive Portal.

Command	Description
<code>aaa authentication captive-portal enable</code>	Enables redirection to a Captive Portal server for additional client authentication.
<code>aaa authentication captive-portal disable</code> <code>or</code> <code>no aaa authentication captive-portal enable</code>	Disables redirection to a Captive Portal server for additional client authentication.
<code>aaa authentication captive-portal url-hash-key</code>	Configures a hash key used to verify the integrity of the portal URL.

show command

Use the following show commands to view the various configurations and certificates.

Command	Description
<code>show running-config</code>	Shows the running configuration.
<code>show config</code>	Shows the saved configuration.
<code>show ip</code>	Shows the switch IP addresses.
<code>show captive-portal</code>	Captive portal configuration.
<code>show port-access clients [port] [detailed]</code>	Consolidated client view; the <code>detailed</code> option shows the Access Policy that is applied. The IP address is only displayed if <code>dhcp-snooping</code> is enabled. For the summary view (without the <code>detailed</code> option), only the untagged VLAN is displayed.
<code>show radius authentication</code>	Displays NAS identifier and data on the configured RADIUS server and switch interactions with this server.
<code>show radius dyn-authorization</code>	Statistics for Radius CoA and Disconnect.
<code>show radius accounting</code>	Statistics for Radius accounting.
<code>show crypto pki local-certificate [summary]</code>	Installed certificates.

Debug command

Use the `debug` command to help you debug your issues.

Command	Description
<code>debug security captive-portal</code>	Enables debug logging for the Captive Portal sub-system.
<code>debug security port-access mac-based</code>	Enables debug logging for the MAC-auth sub-system.
<code>debug security port-access authenticator</code>	Enables debug logging for the 802.1X authenticator sub-system.
<code>debug security radius-server</code>	Enables debug logging for the Radius sub-system.
<code>debug destination session</code>	Prints debug messages to terminal.
<code>debug destination logging</code>	Sends debug messages to the syslog server.
<code>debug destination buffer</code>	Prints debug messages to a buffer in memory.

AirWave is a Network Management Solution (NMS) tool. Once connected to AirWave using the WebUI and CLI interfaces, you can:

- Configure your switches using Zero Touch Provisioning (ZTP)
- Configure your switches using the CLI
- Troubleshoot your switches
- Monitor your switches
- Upgrade your firmware for your switches

Once you have configured your switch, you can monitor, manage, and upgrade your hardware using the AirWave Management Platform.

Requirements

- DHCP server
- AirWave NMS
- HPE Aruba switches

Best Practices

- Implement ZTP in a secure and private environment. Any public access may compromise the security of the switch, as follows:
 - ZTP is enabled only on the factory default configuration of the switch. DHCP snooping is not enabled. You must manage the Rogue DHCP server.
 - The DHCP offer is in plain data without encryption. Therefore, the offer can be listened by any device on the network and they can in turn obtain the AirWave information.
 - The TLS certificate of the server is not validated by the switch during the HTTPs check-in to AirWave. The AirWave server is in the private environment of the switch.

Limitations

- The DNS/hostname in option 66 is not supported, only the IPv4 address.
- The switch does not validate peer certificate of the AirWave server as part of the TLS handshake.

- The HTTPS check-in to AirWave does not support HTTPS proxy.
- For non-ZTP cases, the AirWave check-in starts by validating the following condition: Primary or Management VLAN must be configured with the IP address and one of the interface must be UP. By default, VLAN 1 is the primary VLAN.

Switch configuration

To configure your switch, follow these steps:

1. **Configure AirWave details in DHCP (preferred method)** on page 283.



If you are using existing HPE switches and using the DHCP server for the configuration or firmware management, you can configure the AirWave details in DHCP using this method: **Configure AirWave details in DHCP (alternate method)** on page 288

2. If you are configuring the switch using a CLI, see **Configure a switch using the CLI** on page 297.

If you are using ZTP, the configuration is automatic and does not require any user interaction, see **Zero Touch Provisioning**

The switch contacts the AirWave server that is configured on the switch and initiates the check-in process.

Once you have configured the DHCP server, the AirWave details received from the DHCP options are stored in the switch configuration. This assures that the configuration is retained across reboots.

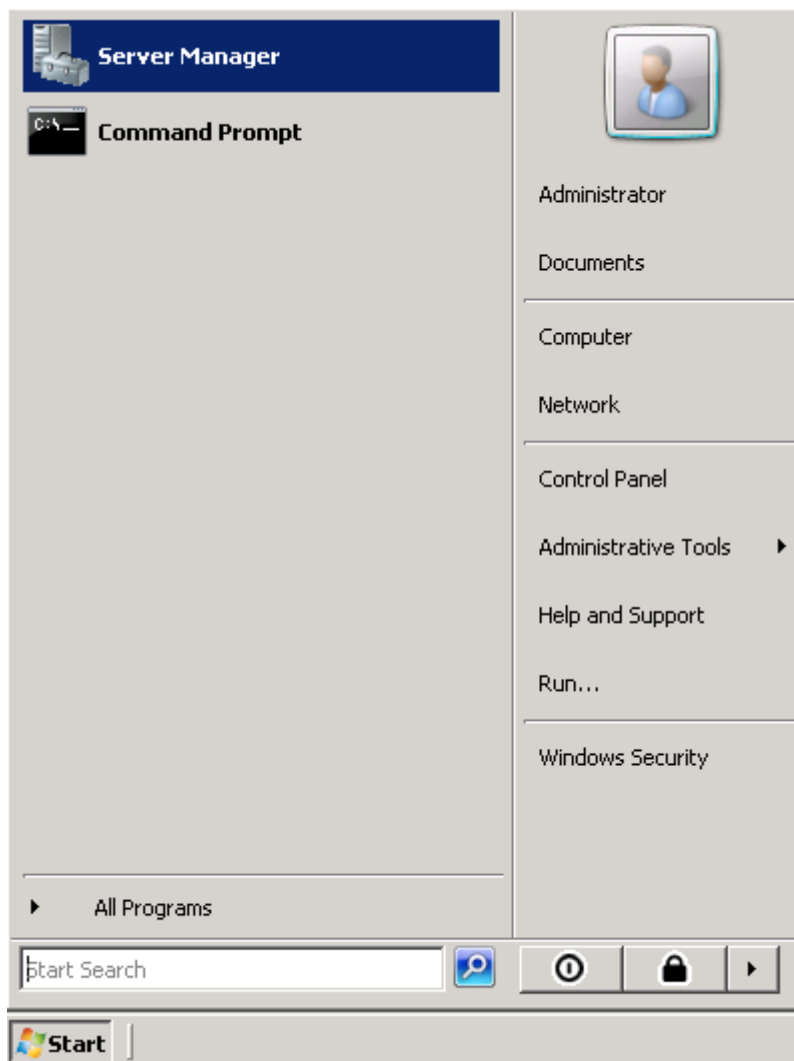
Once AirWave completes the switch check-in, it lists the first switch as *New Devices*. The first switch is used to create a new configuration template for the specific group and device type. With this new template, the required configuration is generated for the group. Subsequent switch of the specific type and joining the same group as the first device are added directly to the group and the configuration is pushed using the configuration template via a SSH connection.

Configure AirWave details in DHCP (preferred method)

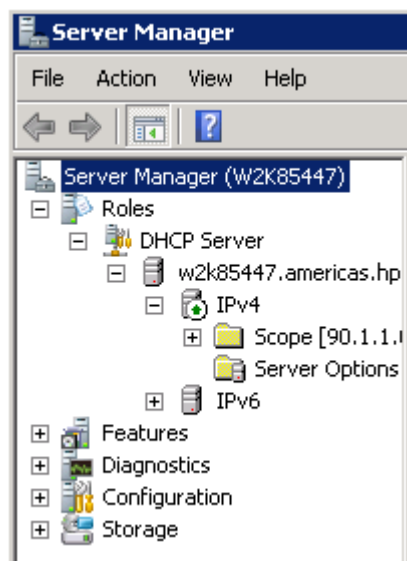
To configure a DHCP server for AirWave, from a Windows Server 2008, do the following steps:

Procedure

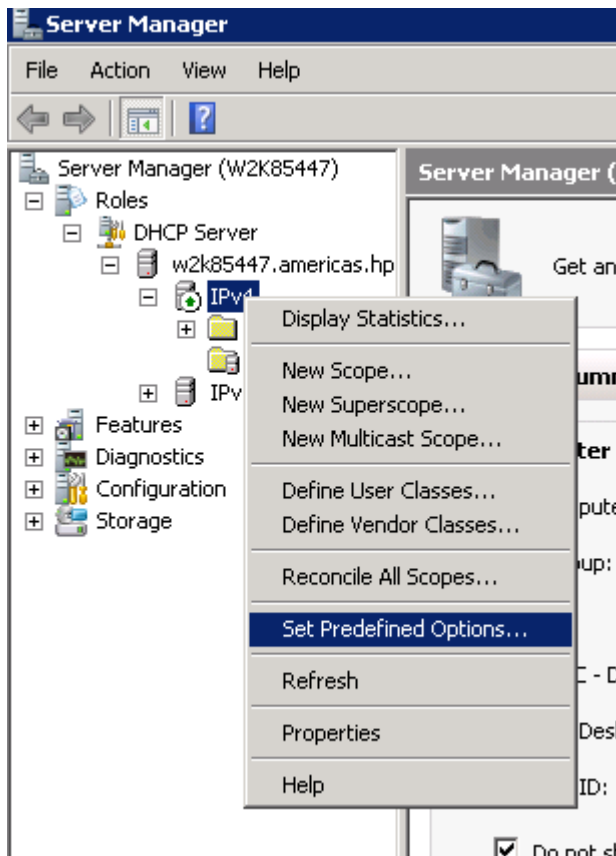
1. From the **Start** menu, select **Server Manager**.



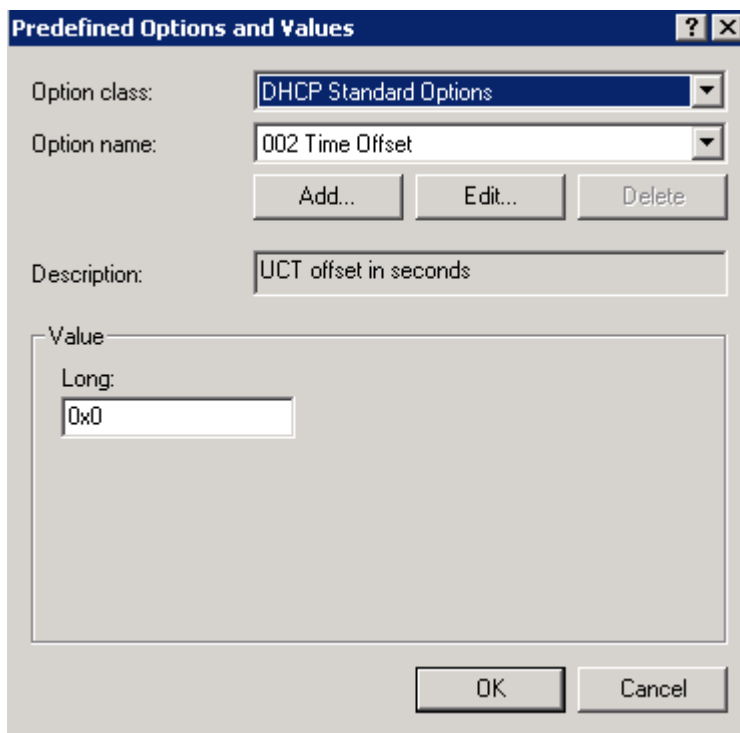
2. Select **Roles** -> **DHCP** -> **Server** -> **w2k8** -> **IPv4**.



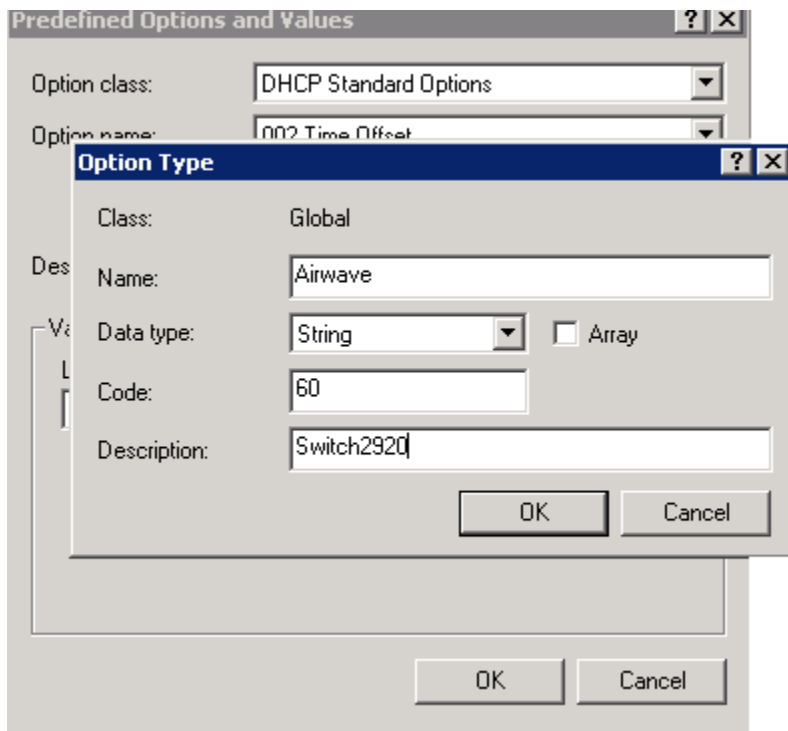
3. Right click on **IPv4** and select **Set Predefined Options...**



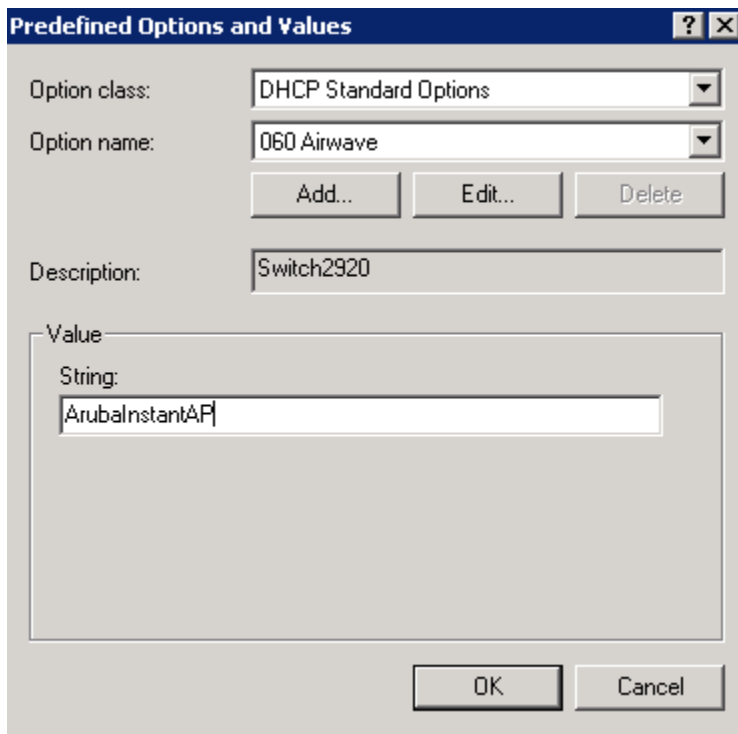
4. The Predefined Options and Values screen is displayed. Click **Add...**



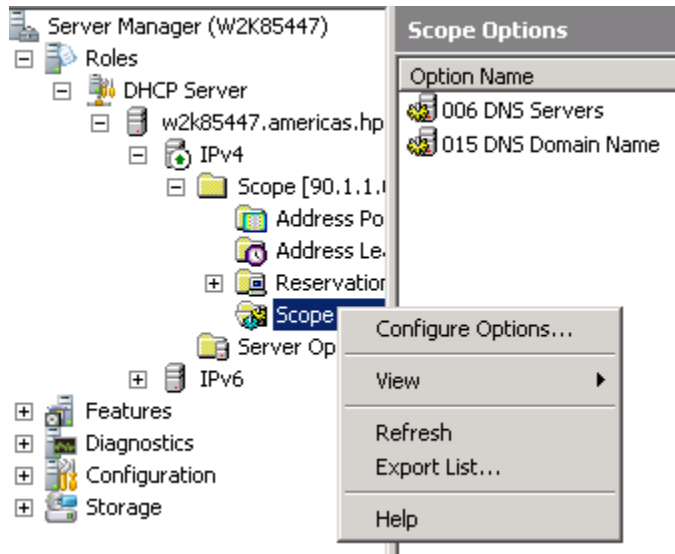
5. Enter the desired **Name** (any), **Data type** (select **String**), **Code** (enter **60**), and **Description** (any).



6. Click **OK**.
7. From the Predefined Options and Values screen, under Value, enter the String **ArubaInstantAP**. The string is case sensitive and must be `ArubaInstantAP`.



8. Click **OK**.
9. Under IPv4, expand **Scope**. Right click on **Scope Options** and select **Configure Options...**

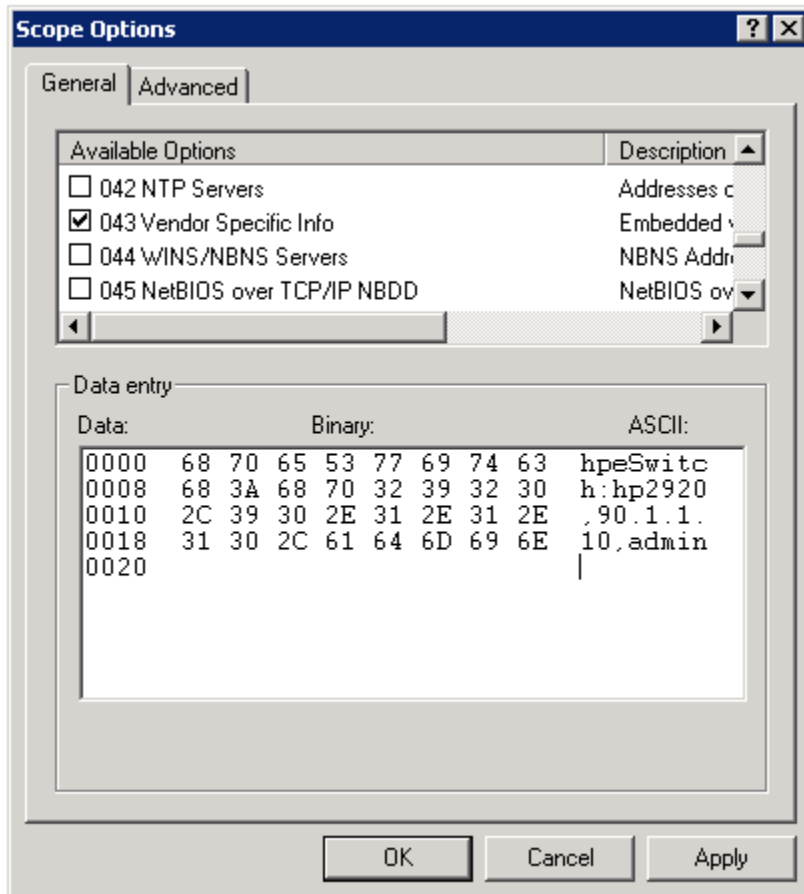


10. Under the General tab, select **043 Vendor Specific Info**. The Data entry data appears. Under ASCII, enter **hpeSwitch:hp2920,90.1.1.10,admin**. The ASCII value has the following format:
`<Group>:<Topfolder>,<AMP IP>,<shared secret>`

If you need to add sub-folders, use the following format:

`<Group>:<Topfolder>:<folder1>,<AMP IP>,<shared secret>`

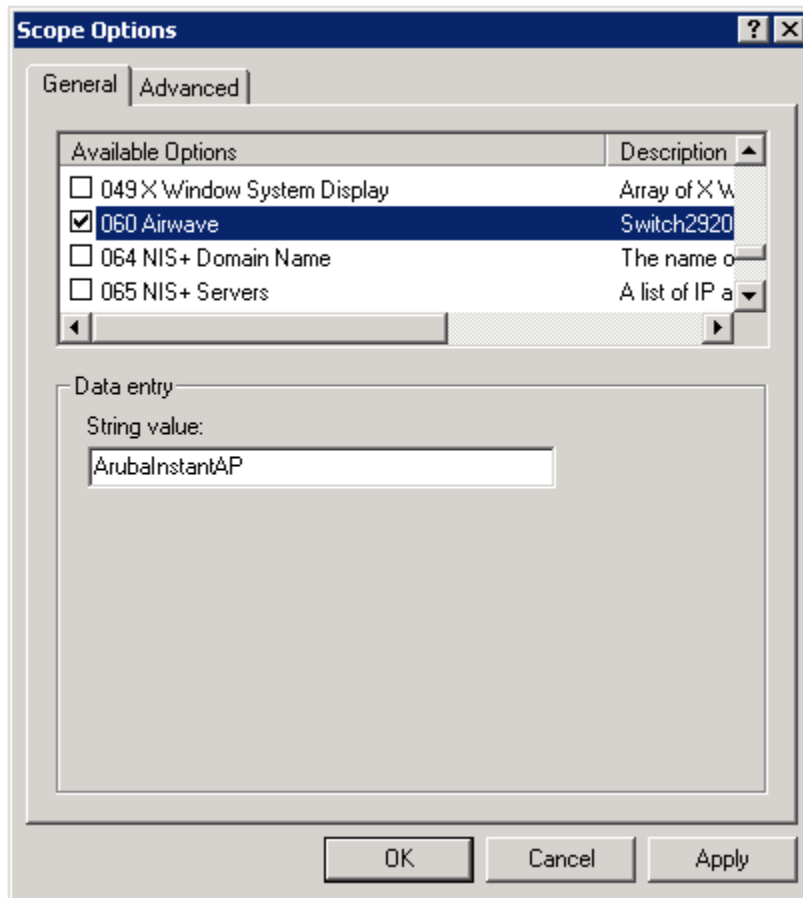
- 11.



12. Under the General tab, select **060 Airwave**. Click **OK**.



No changes are required to the 060 option.



13. You can verify the AirWave details as follows:

```
switch# show amp-server  
switch# show run
```

Configure AirWave details in DHCP (alternate method)

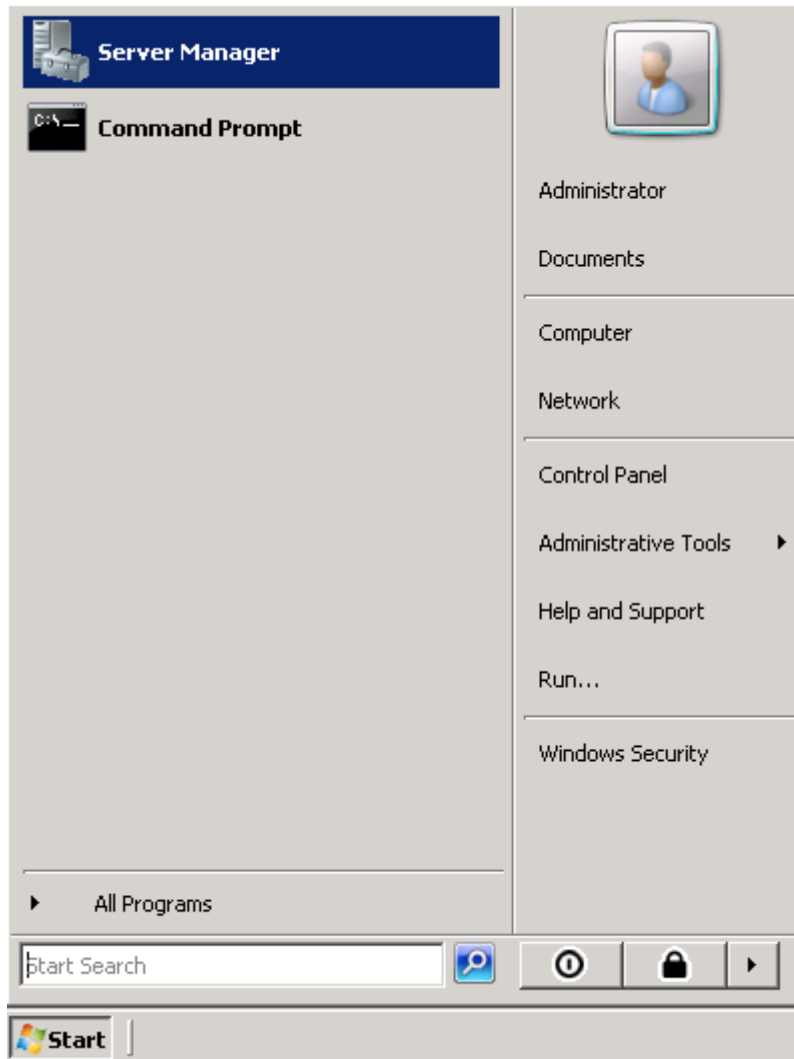
To configure a DHCP server for ZTP and AirWave, from a Windows Server 2008, do the following steps:



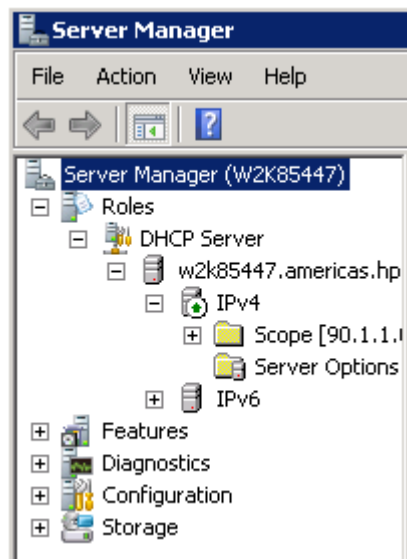
You must repeat these steps for every type of switch that needs to be configured for ZTP, selecting a different Vendor Class for each type of switch.

Procedure

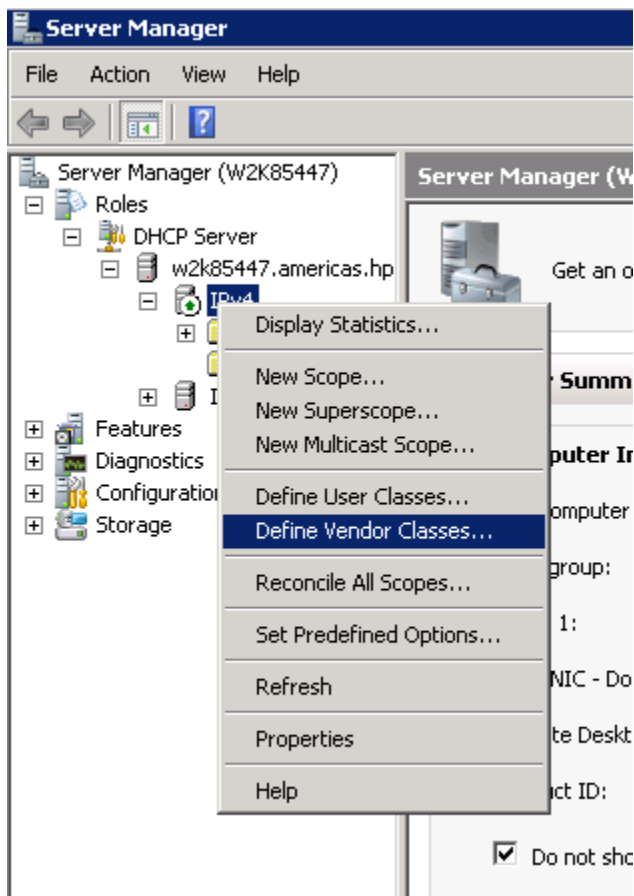
1. From the **Start** menu, select **Server Manager**.



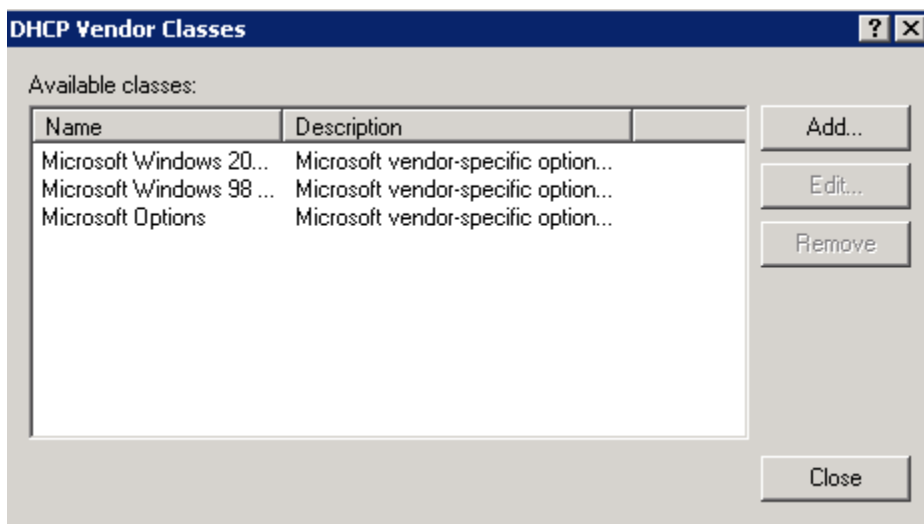
2. Select **Roles** -> **DHCP** -> **Server** -> **w2k8** -> **IPv4**.



3. Right click on **IPv4** and select **Define Vendor Classes...**



4. The DHCP Vendor Classes window is displayed. Click **Add...**



5. To get the vendor-specific value of a switch, go to the switch console and enter:

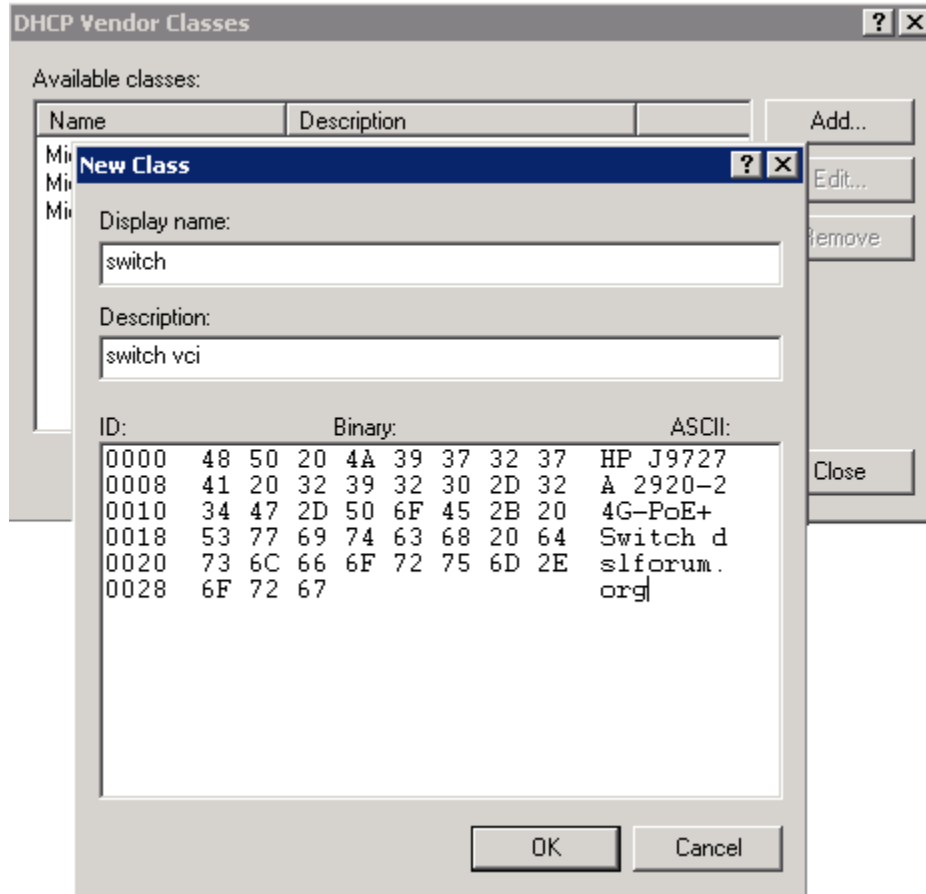
```
switch# show dhcp client vendor-specific
```

In our example, the command returns the following value:

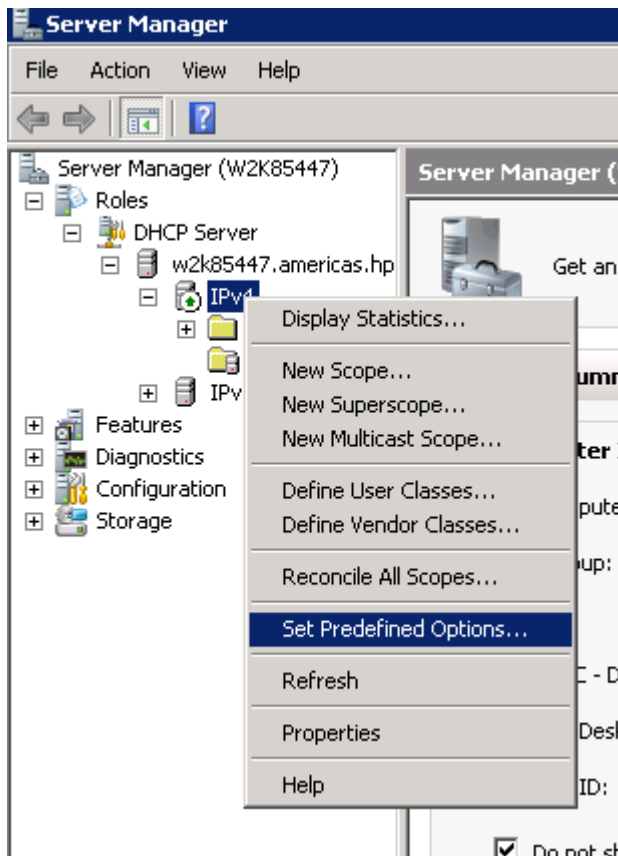
```
Vendor Class Id = HP J9729A 2920-24G-PoE+ Switch dslforum.org
```

Processing of Vendor Specific Configuration is enabled

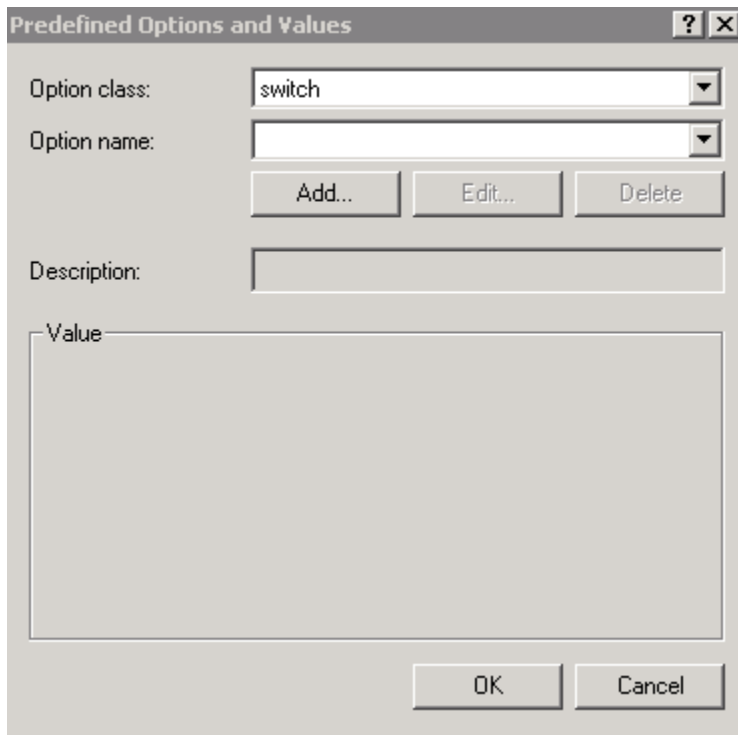
- From the New Class window, enter the desired **Display name** (any) and the **Description** (any). For the **ASCII** field, enter the exact value that you got by executing the `show` command performed in the previous step. In this example, **HP J9729A 2920-24G-PoE+ Switch dslforum.org**.



- Click **OK**.
- Right click on **IPv4** and select **Set Predefined Options....**

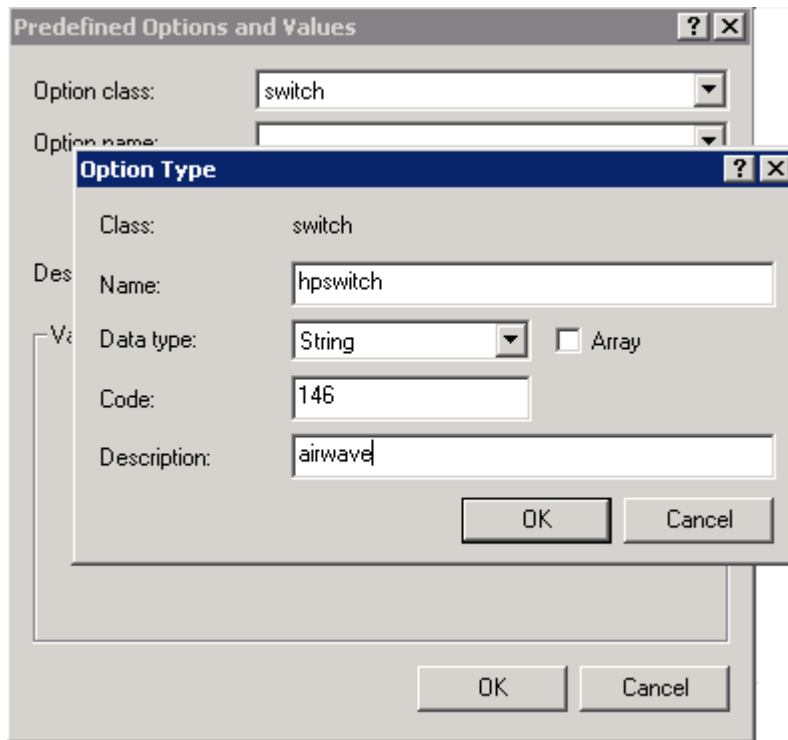


9. From the Predefined Options and Values window, select **Option class**. The Option Class displayed is the one that you configured under **DHCP Vendor Class**. In this example, the Option Class is **switch**.

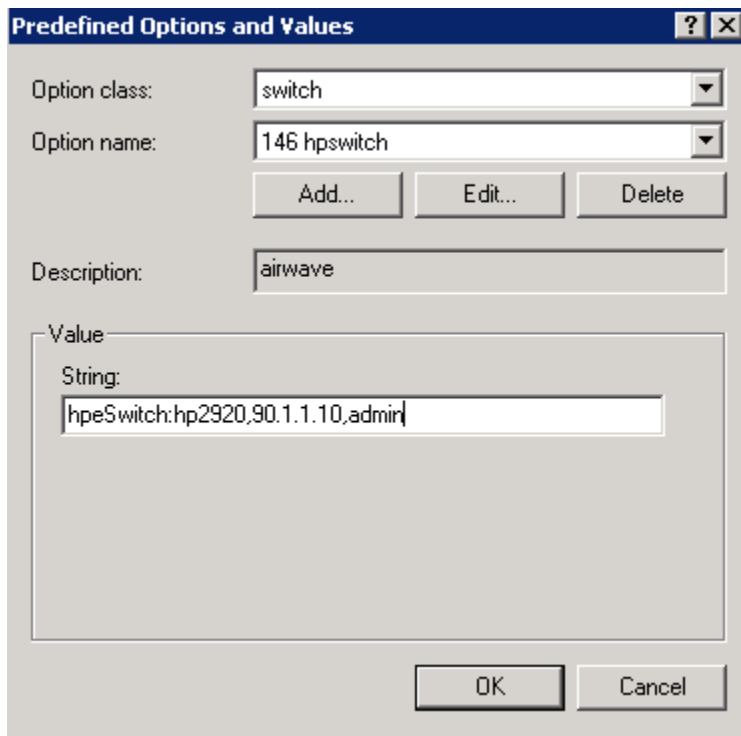


10. Click **Add....**

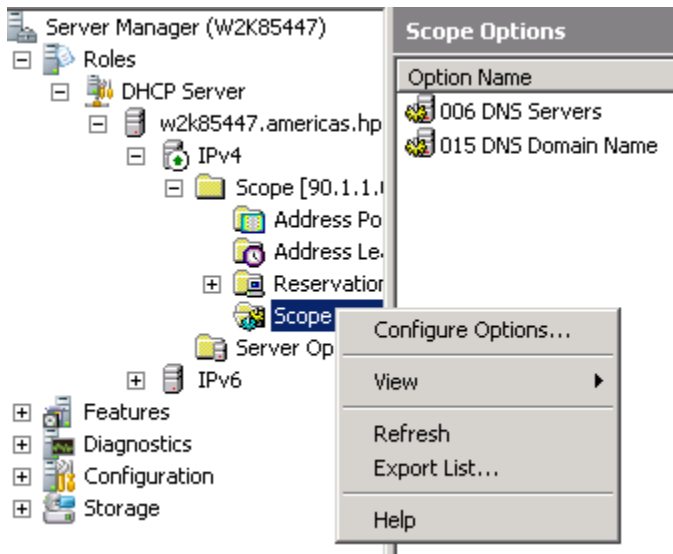
11. From the Option Type window, enter the desired **Class** (any), the **Data type** (select **string**), the **Code** (enter **146**), and the **Description** (any).



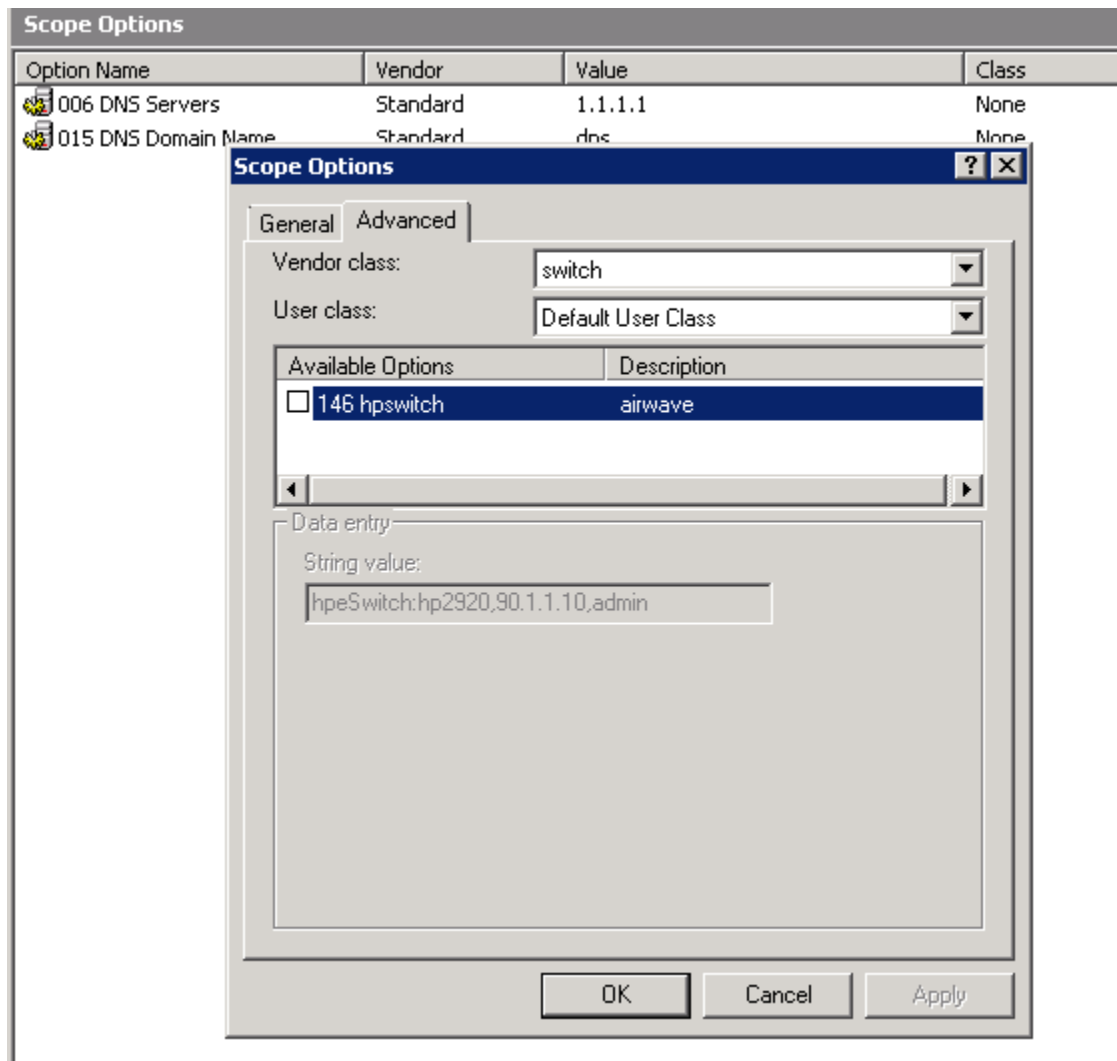
12. Click **OK**.
13. Under the Predefined Options and Values window, enter the Value String. In this example, we enter **hpeSwitch:hp2920,90.1.1.10,admin**. The String has the following format: `<Group>:<Topfolder>,<AMP IP>,<shared secret>`
If you need to add sub-folders, use the following format: `<Group>:<Topfolder>:<folder1>,<AMP IP>,<shared secret>`



14. Click **OK**.
15. Under **IPv4**, expand **Scope**. Right click on **Scope Options** and select **Configure Options...**



16. From the Scope Options window:
 - a. Select the **Advanced** tab.
 - b. Under Vendor class, select the desired switch. In this example, **switch**.
 - c. Select the **146 hpswitch** option.
 - d. Click **OK**.



17. You can verify the AirWave details as follows:

```
switch# show amp-server
switch# show run
```

Zero Touch Provisioning

The Zero Touch Provisioning (ZTP) solution enables the auto-configuration of your switches on the first boot without requiring any administrator's intervention at the switch. The switches use DHCP server option configurations to support ZTP.



If the switch does not contain the minimal configuration set, ZTP will get disabled. See [Image Upgrade](#)

Auto-configuration using ZTP

ZTP auto-configures your switches as follows:

Procedure

1. The switch boots up with the factory default configuration.
2. The switch sends out a DHCP discovery from the primary VLAN interface.
 - a. The preferred configuration method uses DHCP option 43 value as a string to parse Airwave configuration. Switch would expect a DHCP option 60 with value `ArubaInstantAP` along with DHCP option 43 to parse Airwave details
 - b. The alternate configuration method supports both encapsulated values from option 43 and direct value from option 43. Encapsulated vendor-specific sub options, with sub-option code 146 is for Airwave details.
3. After the AirWave details are verified and configured, the switch initiates the check-in into the AirWave server using the HTTPS communication.



The AirWave configuration must be in the following format:

```
<Group>:<Topfolder>:<folder1>,<AMP IP >,<shared secret>
```

4. After a successful registration, AirWave can monitor, configure, and troubleshoot the switches. Refer to *Aruba Networks and AirWave Switch Configuration Guide*.
5. Check-in failure retry is done every 60 seconds for 10 retries.
6. If the DHCP options are not configured for AirWave, the switch is left in its default state for manual configuration.

Disabling ZTP

Zero touch provisioning is disabled if you make any of the following changes to the switch's configuration:

- Enter the switch configuration mode using the `configure terminal` command.
- Enter into Menu and exit without doing any configuration
- Make any successful configuration that changes the running-configuration of the switch using a CLI, SNMP, REST APIs, menu interface, or the web GUI.
- If you upgrade with non-minimal configuration set from any 15.xx version to version 16.01, see [Image Upgrade](#)

Image Upgrade

If you upgrade from any 15.xx version to version 16.01, the following minimal set of configuration is validated to enable or disable the ZTP process:

- If the switch has any other VLAN apart from the default VLAN, ZTP gets disabled.
- In default VLAN, if the IPv4 address is not set as DHCP (default option is DHCP), ZTP gets disabled.
- In default VLAN, if IPv6 is enabled or configured, ZTP gets disabled.

If you have any other configuration during the upgrade, ZTP will be in the enabled state only.

Configure a switch using the CLI

Use the `amp-server` command to configure the AirWave IP address, group, folder, and shared secret. You must have the `manager` role to execute this command.

For example:

```
HP switch(config)# amp-server ip 172.16.185.23 group 2530 folder 2530 secret secret
```

The `show amp-server` command shows the configuration details:

```
switch# show amp-server
Airwave Configuration details
AMP Server IP           : 172.16.185.23
AMP Server Group       : 2530
AMP Server Folder      : 2530
AMP Server Secret      : secret
AMP Server Config status: Configured
```

Troubleshooting

Cause

You can troubleshoot switches by using the SSH connection and the device logs available in AirWave. For a list of all RMON message, refer to *ArubaOS-Switch Event Log Message Reference Guide*.

You can enable the debug logging with the `debug ztp` command, see [debug ztp](#)

View AMP server messages

To display the AMP server debug messages, enter:

```
switch# debug ztp
```

To print the debug messages to the terminal, enter:

```
switch# debug destination session
```

Validation Rules

Validation	Error/Warning
Invalid AirWave IP address	Invalid input: 300.300.300.300
Group name exceeds max length	String %s too long. Allowed length is 32 characters.
Folder name exceeds max length	String %s too long. Allowed length is 128 characters.
Secret name exceeds max length	String %s too long. Allowed length is 32 characters.
AirWave IP address or Group or folder or secret is not configured.	Incomplete input: amp-server

View configuration details

to view the AirWave configuration details, use the `show amp-server` command. For example:

Airwave Configuration details

```
AMP Server IP           : 192.168.1.1
AMP Server Group       : HP_GROUP
AMP Server Folder      : folder
AMP Server Secret      : secret123
AMP Server Config Status: Configured
```

The `show amp-server` command displays the following values for the above configuration details. The `show running` command also displays the AirWave configuration details.

For example, to show details of the running configuration:

```
switch# show running-config
hostname "Aruba-2930F-24G"
module 1 type j9726a
snmp-server community "public" unrestricted
vlan 1
  name "DEFAULT_VLAN"
  untagged 1-24
  ip address dhcp-bootp
  exit
amp-server ip 192.168.1.1 group "group" folder "folder" secret "secret123"
```

amp-server

Syntax

```
[no] amp-server ip <IP ADDRESS> group <GROUP> folder <FOLDER> secret <SECRET>
```

Description

The `amp-server` command configures the AirWave Management Platform (AMP) IP address, group, folder, and shared secret and triggers the device registration with AMP.

Only the `manager` role can execute this command.

Parameters

`ip`

AMP server IP address.

`group`

AMP server group name.

`folder`

AMP server folder name.

`secret`

AMP server shared secret string.

Options

`no`

The `no amp-server` command removes the configuration for the AMP server.

Permissions

Only the `manager` role can execute this command.

debug ztp

Syntax

```
[no] debug ztp
```

Description

Enables or disables ZTP debug logging.

Parameters

`ztp`

Zero Touch Provisioning.

Options

`no`

The `no debug ztp` command disables the ZTP debug logging.

Auto device detection and configuration

The auto device detection and configuration detects a directly connected Aruba AP dynamically and applies predefined configurations to ports on which the Aruba AP is detected.

You can create port configuration profiles, associate them to a device type, and enable or disable a device type. The only device type supported is `aruba-ap` and it is used to identify all the Aruba APs.

When a configured device type is connected on a port, the system automatically applies the corresponding port profile. Connected devices are identified using LLDP. When the LLDP information on the port ages out, the device profile is removed.

By default, the device profile feature is disabled. When you enable the device profile support for a device type, if no other device profile is mapped to the device type, the default device profile `default-ap-profile` is associated with the device type. You can modify the AP default device profile configuration but you cannot delete it. The `default-ap-profile` command supports only the AP device type.

Requirements

Only APs directly connected to the switch will be detected.

Limitations

- Only one device type is supported, `aruba-ap`, and it is used to identify all the Aruba APs.
- You can modify the configuration parameters of the default profile, `default-ap-profile`, but you cannot delete it or change its name.
- The maximum value for `poe-max-power` is 33 W.
- If the port was part of any protocol VLANs prior to the device profile application, those VLANs will not be removed while applying the device profile.
- The `egress-bandwidth` is only supported for devices running on:
 - Aruba 2930F Switch Series
 - Aruba 2930M Switch Series

Feature Interactions

Profile Manager and 802.1X

Profile Manager interoperates with RADIUS when it is working in the client mode. When a port is blocked due to 802.1X authentication failure, the LLDP packets cannot come in on that port. Therefore, the Aruba AP cannot be detected and the device profile cannot be applied. When the port gets authenticated, the LLDP packets comes in, the AP is detected, and the device profile is applied.

You must ensure that the RADIUS server will not supply additional configuration such as VLAN or CoS during the 802.1X authentication as they will conflict with the configuration applied by the Profile Manager. If the RADIUS server supplies any such configurations to a port, the device profile will not be applied on such ports.

Profile Manager and LMA/WMA/MAC-AUTH

If either LMA, WMA, or MAC-AUTH is enabled on an interface, all the MAC addresses reaching the port must be authenticated. If LMA, WMA, or MAC-AUTH is configured on an interface, the user can have more granular control and does not need the device profile configuration. Therefore, the device profile will not be applied on such interface.

Profile manager and Private VLANs

When the device profile is applied, a check is performed to verify if the VLAN addition violates any PVLAN requirements. The following PVLAN related checks are done before applying the VLANs configured in the device profile to an interface:

- A port can be a member of only one VLAN from a given PVLAN instance.
- A promiscuous port cannot be a member of a secondary VLAN.

Procedure for creating a device identity and associating a device type

Procedure

1. Create a device identity using the command:

```
switch# device-identity name <DEVICE-NAME>
```

2. Specify the OUI used in LLDP's organization using specific TLV, (type =127). OUI should be in XXXXXX format. The default OUI "000000" indicates that device-identity will not use LLDP to identify device:

```
switch(config)# device-identity name <DEVICE-NAME> lldp oui <MAC_OUI>  
sub-type <SUBTYPE>
```

To add new device on switch:

```
switch(config)# device-identity name abc lldp oui a1b2c3 sub 2
```

To remove device from switch:

```
switch(config)# no device-identity name abc
```

3. Show device identity configuration:

```
switch(config)# show device-identity lldp
```

Device Identity Configuration

Index	Device name	Oui	Subtype
1	abc	a1b2c3	2

device-profile name

Syntax

```
[no] device-profile name <PROFILE-NAME> [untagged-vlan <VLAN-ID> |
    tagged-vlan <VLAN-LIST> |
    cos <COS-VALUE> |
    ingress-bandwidth <Percentage> |
    egress-bandwidth <Percentage> |
    {poe-priority {critical | high | low} |
    speed-duplex {auto | auto-10 | auto-100 | ...} |
    poe-max-power <Watts>]
```

Description

This command is used to create an user-defined profile. A profile is a named collection of port settings applied as a group. You can modify the default profile, `default-ap-profile`, but you cannot delete it. You can create four additional profiles.

The `default-ap-profile` has the following values:

- `untagged-vlan: 1`
- `tagged-vlan: None`
- `ingress-bandwidth: 100`
- `egress-bandwidth: 100`
- `cos: 0`
- `speed-duplex: auto`
- `poe-max-power: 33`
- `poe-priority: critical`

You can modify these parameters. For example, you can execute `no untagged-vlan` to create a device profile with tagged only ports.

Parameters

`name`

Specifies the name of the profile to be configured. The profile names can be at most 32 characters long.

`cos`

The Class of Service (CoS) priority for traffic from the device.

`untagged-vlan`

The port is an untagged member of specified VLAN.

`tagged-vlan`

The port is a tagged member of the specified VLANs.

`ingress-bandwidth`

The ingress maximum bandwidth for the device port.

`egress-bandwidth`

The egress maximum bandwidth for the device port.

`poe-priority`

The PoE priority for the device port.

`speed-duplex`

The speed and duplex for the device port.

`poe-max-power`

The maximum PoE power for the device port.

Options

`no`

Removes the user-defined profiles.

Restrictions

- You can modify the configuration parameters of the default profile, `default-ap-profile`, but you cannot delete it or change its name.
- For Aruba 2930F and 2930M Switch Series, the maximum value for `poe-max-power` is 30 W. For all other devices, the maximum value for `poe-max-power` is 33 W.
- Egress rate limiting is not supported for devices running on Aruba 2930F Switch Series.
- The profile configuration is only applicable to access points.

Rogue AP Isolation

The Rogue AP Isolation feature detects and blocks any unauthorized APs in the network. You can either log or block the rogue device. If the action requested is to log the rogue device, the MAC address of the rogue device is logged in the system logs (RMON). If the action is to block the rogue device, the traffic to and from the MAC address of the rogue device is blocked. The MAC is also logged in the system log.

When an Aruba AP detects a rogue AP on the network, it sends out the MAC address of the AP as well as the MAC of the clients connected to the AP to the switch using the ArubaOS-Switch proprietary LLDP TLV protocol. The switch then adds a rule in its hardware table to block all the traffic originating from the rogue AP's MAC address.

The `rogue-ap-isolation` command configures the rogue AP isolation for the switch and gives the option to enable or disable the rogue AP isolation feature. The `rogue-ap-isolation action` command gives you the ability to block the traffic to or from the rogue device or log the MAC of the rogue device. When the action is set to block, the rogue MAC is logged as well. By default, the action is set to block.

The `rogue-ap-isolation whitelist` command lets you add devices detected as possible rogue APs to the whitelist. A maximum of 128 MAC addresses are supported for the whitelist.

The `clear rogue-aps` command clears the detected rogue AP device MAC address.

Limitations

- You can add a maximum of 128 MAC addresses to the whitelist.
- When a MAC is already authorized by any of the port security features such as LMA, WMA, or 802.1X, the MAC is logged but you cannot block it using the `rogue-ap-isolation` feature. A RMON event is logged to notify the user.
- When a MAC is already configured as an IP received MAC of a VLAN interface, the MAC is logged but you cannot block it by using the `rogue-ap-isolation` feature. A RMON event is logged to notify the user.
- When a MAC is already locked out via `lockout-mac` or locked down using the `static-mac` configuration, the MAC is logged but you cannot block it using the `rogue-ap-isolation` feature. A RMON event is logged to notify the user.
- The number of rogue MACs supported on a switch is a function of the value of `max-vlans` at boot time. Since the resources are shared with the `lockout-mac` feature, the scale is dependent on how many lockout

addresses have been configured on the switch using the `lockout-mac` feature. The following table lists the scale when there are no lockout addresses configured on the switch:

Max VLAN	Supported MACs
0 < VLAN <= 8	200
8 < VLAN <= 16	100
16 < VLAN <= 256	64
256 < VLAN <= 1024	16
1024 < VLAN <= 2048	8
2048 < VLAN <= 4094	4

The switch will create an RMON log entry and the rogue MAC will be ignored when the limit is reached.



If the `max-vlans` value is changed to a different value, the scale of rogue MACs supported will not change until the next reboot.

Feature Interactions

MAC lockout and lockdown

The Rogue AP isolation feature uses the MAC lockout feature to block MACs in hardware. Therefore, any MAC blocked with the Rogue AP isolation feature cannot be added with the `lockout-mac` or `static-mac` command if the action type is set to `block`.

For example:

```
switch# lockout-mac 247703-7a8950
Cannot add the entry for the MAC address 247703-7a8950 because it is already
blocked by rogue-ap-isolation.
```

```
switch# static-mac 247703-7a8950 vlan 1 interface 1
Cannot add the entry for the MAC address 247703-7a8950 because it is already
blocked by rogue-ap-isolation.
```

Similarly, any MAC that was added with the `lockout-mac` or `static-mac` command and that is being detected as rogue will be logged, but not blocked in hardware as it already is set to `block`. If the MAC is removed from `lockout-mac` or `static-mac` but is still in the rogue device list, it will be blocked back in hardware if the action type is `block`.

LMA/WMA/802.1X/Port-Security

Any configuration using LMA, WMA, 802.1X, or Port-Security will not be blocked if the Rogue AP isolation feature is enabled. All these features act only when a packet with the said MAC is received on a port.

If `rogue-ap-isolation` blocks a MAC before it is configured to be authorized, packets from such MACs will be dropped until one of the following happens:

- Rogue action is changed to LOG.
- Rogue-AP isolation feature is disabled.
- The MAC is not detected as rogue anymore.
- LLDP is disabled on the port (or globally).

Once a MAC has been authorized by one of these features, it will not be blocked by Rogue AP isolation. A RMON will be logged to indicate the failure to block.

The Rogue AP module will retry to block any such MACs periodically. In the event of the MAC no longer being authorized, Rogue AP isolation will block the MAC again. No RMON is logged to indicate this event.

L3 MAC

The Rogue AP isolation feature will not block a MAC configured as an IP receive MAC address on a VLAN interface. This event will be logged in RMON if such MACs are detected as rogue.

Conversely, any MAC already blocked by Rogue AP isolation will not be allowed to be configured as an IP receive MAC address of a VLAN interface.

For example:

```
switch# vlan 1 ip-recv-mac-address 247703-3effbb
Cannot add an entry for the MAC address 247703-3effbb because it is already
blocked by rogue-ap-isolation.
```

Using the Rogue AP Isolation feature

Procedure

1. Check the feature state:

```
switch# show rogue-ap-isolation

Rogue AP Isolation

Rogue AP Status : Disabled
Rogue AP Action : Block

Rogue MAC Address Neighbour MAC Address
-----
```

2. Enable the feature:

```
switch# rogue-ap-isolation enable
switch# show rogue-ap-isolation

Rogue AP Isolation

Rogue AP Status : Enabled
Rogue AP Action : Block

Rogue MAC Address Neighbour MAC Address
-----
```

3. Change the action type from block to log:

```
switch# rogue-ap-isolation action log
switch# show rogue-ap-isolation

Rogue AP Isolation

Rogue AP Status : Enabled
Rogue AP Action : Log

Rogue MAC Address Neighbour MAC Address
-----
```

4. List the current whitelist entries:

```
switch# show rogue-ap-isolation whitelist

Rogue AP Whitelist Configuration

Rogue AP MAC
-----
```

5. Add a new whitelist entry:

```
switch# rogue-ap-isolation whitelist 005056-00326a
switch# show rogue-ap-isolation whitelist

Rogue AP Whitelist Configuration

Rogue AP MAC
-----
00:50:56:00:32:6a
```

rogue-ap-isolation

syntax

```
rogue-ap-isolation {enable | disable}
```

Description

Configures the rogue AP isolation for the switch.

Parameters

enable

Enables the rogue AP isolation.

disable

Disables the rogue AP isolation.

rogue-ap-isolation action

syntax

```
rogue-ap-isolation action {log | block}
```

Description

Configures the action to take for the rogue AP packets. This function is disabled by default.

Parameters

action

Configure the action to take for rogue AP packets. By default, the rogue AP packets are blocked.

Options

log

Logs traffic to or from any rogue access points.

block

Blocks and logs traffic to or from any rogue access points.

rogue-ap-isolation whitelist

syntax

```
[no] rogue-ap-isolation whitelist <MAC-ADDRESS>
```

Description

Configures the rogue AP Whitelist MAC addresses for the switch. Use this command to add to the whitelist the MAC addresses of approved access points or MAC addresses of clients connected to the rogue access points. These approved access points will not be added to the rogue AP list even if they are reported as rogue devices.

Parameters

MAC-ADDRESS

Specifies the MAC address of the device to be moved from the rogue AP list to the whitelist.

Options

no

Removes the MAC address individually by specifying the MAC.

Restrictions

You can add a maximum of 128 MAC addresses to the whitelist.

clear rogue-ap-isolation

syntax

```
clear rogue-ap-isolation { <MAC-ADDRESS> | all }
```

Description

Removes the MAC addresses from the rogue AP list.

Parameters

MAC-ADDRESS

Specifies the MAC address of the device to be moved from the rogue AP list.

all

Clears all MAC addresses from the rogue AP list.

Restrictions

The MAC addresses cleared using this option will be added back to the rogue list under the following cases:

1. The LLDP administrator status of the port on which the AP that reported the MAC is disabled and enabled back.
2. The data that is in the rogue AP TLV sent from the AP that informed the rogue MAC has changed.
3. To permanently ignore a MAC from being detected as rogue, add it to the whitelist.

Troubleshooting

Dynamic configuration not displayed when using “show running-config”

Symptom

The `show running-config` command does not display the dynamic configuration applied through the device profile.

Cause

The `show running-config` command shows only the permanent user configuration and parameters configured through device profile.

Action

Use the specific `show device-profile` command to display the parameters dynamically configured through the device profile.

Switch does not detect the rogue AP TLVs

Symptom

The switch does not detect the rogue AP TLVs that could be sent from the neighboring device.

Cause

The LLDP administrator status of a port is moved from `txOnly` to `tx_rx` or `rx_only` within 120 seconds of the previous state change to `txOnly`.

Action

1. Wait for 120 seconds before moving from the state `txOnly` to the state `tx_rx` or `rx_only`.
2. Move the administrator status to `disable` and then back to `tx_rx` or `rx_only`.

The `show run` command displays non-numerical value for `untagged-vlan`

Symptom

The `show run` command displays one of the following values for `untagged-vlan`:

- `no untagged-vlan`
- `untagged-vlan : None`

Cause

The `no device-profile` or the `no rogue-ap-isolation whitelist` command is executed to configure `untagged-vlan` to 0.

Action

No action is required.

Show commands

Use the following show commands to view the various configurations and status.

Command	Description
<code>show device-profile</code>	Shows the device profile configuration and status.
<code>show device-profile config</code>	Shows the device profile configuration details for a single profile or all profiles.
<code>show device-profile status</code>	Shows currently applied device profiles.
<code>show rogue-ap-isolation</code>	Shows the following information: <ul style="list-style-type: none">• The status of the feature: enabled or disabled.• The current action type for the rogue MACs detected.• The list of MAC addresses detected as rogue and the MAC address of the AP that reported them.
<code>show rogue-ap-isolation whitelist</code>	Shows the rogue AP whitelist configuration.
<code>show run</code>	Shows the running configuration.

Validation Rules

Validation	Error/Warning/Prompt
<code>device-profile profile-name default-ap-profile</code>	Maximum tagged VLANs that can be associated with a device-profile is 256.
<code>device-profile profile-name creation.</code>	String too long. Allowed length is 32 characters.
<code>device-profile profile-name creation.</code>	Device profile <> already exists.
<code>device-profile profile-name creation.</code>	The maximum number of device profiles allowed is 5.
<code>device-profile profile-name deletion.</code>	Device profile <> does not exist.

Table Continued

Validation	Error/Warning/Prompt
device-profile profile-name deletion.	Cannot delete profile <> when associated with a device type.
device-profile profile-name deletion.	Default profile cannot be deleted.
device-profile profile-name modification via SNMP.	Default profile name cannot be changed.
device-profile profile-name creation/ modification via SNMP.	Device profile index cannot be greater than 5.
untagged-vlan	Invalid VLAN.
untagged-vlan	Cannot configure the VLAN <> as an untagged VLAN because this is already used as a tagged VLAN.
tagged-vlan 1-1000	The maximum number of tagged VLANs in a profile is less than 512 or the maximum VLANs, MAX_VLANs, configurable in the system.
tagged-vlan	Cannot configure the VLAN <> as a tagged VLAN because this is already used as an untagged VLAN.
ingress-bandwidth	SNMP should return WRONG_VALUE_ERROR.
egress-bandwidth	SNMP should return WRONG_VALUE_ERROR.
cos	SNMP should return WRONG_VALUE_ERROR.
speed-duplex	SNMP should return WRONG_VALUE_ERROR.
poe-max-power	SNMP should return WRONG_VALUE_ERROR.
poe-priority	SNMP should return WRONG_VALUE_ERROR.
device-profile type aruba-ap profile-name	String <> too long. Allowed length is 32 characters.
device-profile type aruba-ap profile-name	Device profile <> does not exist.
device-profile type aruba-switch-router	Device type is not supported.
rogue-ap-whitelist	Whitelist MAC address already exists in the list.
rogue-ap-whitelist	Whitelist MAC address does not exist in the list.
rogue-ap-whitelist	The maximum number of whitelist MACs allowed is 128.

Table Continued

Validation	Error/Warning/Prompt
rogue-ap-whitelist <MAC>	Cannot add the whitelist entry because the specified MAC address is already configured as a lock-out MAC.
lock-out <MAC>	Cannot add the lock-out entry because the specified MAC address is already configured as a whitelist MAC.
lockout-mac <MAC-ADDRESS> OR static-mac <MAC-ADDRESS> vlan <vlan-id> interface <interface> OR vlan <vlan-id> ip-recv-mac-address <MAC-ADDRESS	Cannot add an entry for the MAC address <MAC-ADDRESS> because it is already blocked by rogue-ap-isolation.

LACP-MAD commands

Configuration command

The following command defines whether LACP is enabled on a port, and whether it is in active or passive mode when enabled. When LACP is enabled and active, the port sends LACP packets and listens to them. When LACP is enabled and passive, the port sends LACP packets only if it is spoken to. When LACP is disabled, the port ignores LACP packets. If the command is issued without a mode parameter, 'active' is assumed. During dynamic link aggregation using LACP, ports with the same key are aggregated as a single trunk. MAD passthrough applies only to trunks and not to physical ports.

```
switch# [no] interface <port-list> lacp [mad-passthrough <enable|disable>|active|passive|key <key>]
```

show commands

LACP-MAD supports the following show commands:

- show LACP-MAD passthrough configuration on LACP trunks

```
switch# show lacp [counters [<port-list>] | local [<port-list>] |peer [<port-list>] | distributed | mad-passthrough [counters [<port-list>]]]
```

- show LACP-MAD passthrough counters on ports

```
switch# show lacp mad-passthrough counters [<port-list>]
```

clear command

Clear all LACP statistics including MAD passthrough counters. Resets LACP packets sent and received on all ports.

```
switch# clear lacp statistics
```

LACP-MAD overview

Link Aggregation Control Protocol-Multi-Active Detection (LACP-MAD) is a detection mechanism deployed by switches to recover from a breakup of the Virtual Switching Framework (VSF) stack due to link or other failure.



VSF is only supported on the 2930F Switch Series.

LACP-MAD is implemented by sending extended LACP data units (LACPDUs) with a type length value (TLV) that conveys the active ID of an VSF virtual device. The active ID is identical to the member ID of the master and is thus unique to the VSF virtual device. When LACP MAD detection is enabled, the members exchange their active IDs by sending extended LACPDUs.

- When the VSF virtual device operates normally, the active IDs in the extended LACPDUs sent by all members are the same, indicating that there is no multi-active collision.
- When there is a breakup in the VSF stack, the active IDs in the extended LACPDUs sent by the members in different VSF virtual devices are different, indicating that there are multi-active collisions.

LACP-MAD passthrough helps VSF-capable devices detect multi-access and take corrective action. These devices do not initiate transmission of LACP-MAD frames or participate in any MAD decision making process. These devices simply forward LACP-MAD TLVs received on one interface to the other interfaces on the trunk. LACP-MAD passthrough can be enabled for 24 LACP trunks. By default LACP-MAD passthrough is disabled.

The following table lists the switch scalability values for the areas of VLANs, ACLs, hardware, ARP, and routing.

Subject	Maximum
IPv4 ACLs	
total named (extended or standard)	Up to 2048 (minus any IPv4 numeric standard or extended ACL assignments and any RADIUS-assigned ACLs) ¹¹
total numbered standard	Up to 99
total numbered extended	Up to 100 ¹¹
total ACEs in all IPv4 ACLs	Up to 3072 ¹¹
Layer-3	
VLANs with at least one IP Address	512
IP addresses per system	2048 IPv4 2048 IPv6
IP addresses per VLAN	32
Static routes (IPv4 and IPv6 combined)	256
IPv4 host hardware table	72 K (8K internal, 64K external)
IPv4 BMP hardware table	2 K
ARP	
ARP entries	25,000
Packets held for ARP resolution	25
Dynamic Routing	
Total routes supported	IPv4 only: 10,000 (including ARP) IPv4 and IPv6: 10 K (IPv4) and 3 K (IPv6) IPv6 only: 5 K
IPv4 Routing Protocol	
RIP interfaces	128

Table Continued

Subject	Maximum
IPv6 Routing Protocol	
DHCPv6 Helper Addresses	32 unique addresses; multiple instances of same address counts as 1 towards maximum

¹ Actual availability depends on combined resource usage on the switch. See **Monitoring resources** on page 70.

Overview

The switches support several methods for transferring files to and from a physically connected device or via the network, including TFTP and Xmodem. This appendix explains how to download new switch software, upload or download switch configuration files and software images, and upload command files for configuring ACLs.

Downloading switch software

HPE Switch periodically provides switch software updates through the Switch Networking website. For more information, see the support and warranty booklet shipped with the switch, or visit <http://www.hpe.com/networking> and click on **software updates**.



This manual uses the terms **switch software** and **software image** to refer to the downloadable software files the switch uses to operate its networking features. Other terms sometimes include **Operating System**, or **OS**.

General software download rules

- Switch software that you download via the menu interface always goes to primary flash.
- After a software download, you must reboot the switch to implement the new software. Until a reboot occurs, the switch continues to run on the software it was using before the download.



Downloading new switch software does not change the current switch configuration. The switch configuration is contained in separate files that can also be transferred. See **Transferring switch configurations** on page 334.

In most cases, if a power failure or other cause interrupts a flash image download, the switch reboots with the image previously stored in primary flash. In the unlikely event that the primary image is corrupted (which may occur if a download is interrupted by a power failure), the switch goes into boot ROM mode. In this case, use the boot ROM console to download a new image to primary flash.

Using TFTP to download software from a server

This procedure assumes that:

- A software version for the switch has been stored on a TFTP server accessible to the switch. (The software file is typically available from the HPE Switch Networking website at <http://www.hpe.com/networking>.)
- The switch is properly connected to your network and has already been configured with a compatible IP address and subnet mask.
- The TFTP server is accessible to the switch via IP.

Before you use the procedure, do the following:

- Obtain the IP address of the TFTP server in which the software file has been stored.
- If VLANs are configured on the switch, determine the name of the VLAN in which the TFTP server is operating.
- Determine the name of the software file stored in the TFTP server for the switch (For example, E0820.swi).



If your TFTP server is a UNIX workstation, ensure that the case (upper or lower) that you specify for the filename is the same case as the characters in the software filenames on the server.

Downloading from a server to primary flash using TFTP (Menu)

Note that the menu interface accesses only the primary flash.

Procedure

1. In the console Main Menu, select **Download OS** to display the screen in **Figure 40: Example: of a download OS (software) screen (default values)** on page 317. (The term "OS" or "operating system" refers to the switch software):

Figure 40: Example: of a download OS (software) screen (default values)

```

=====  CONSOLE - MANAGER MODE  =====
                          Download OS

Current Firmware revision : K.11.00

Method [TFTP] : TFTP
TFTP Server :
Remote File Name :

Actions->  _Cancel      _Edit      eXecute      _Help

Select the file transfer method (TFTP and XMODEM are currently supported).
Use arrow keys to change field selection, <Space> to toggle field choices,
and <Enter> to go to Actions.

```

2. Press **[E]** (for **Edit**).
3. Ensure that the **Method** field is set to **TFTP** (the default).
4. In the **TFTP Server** field, enter the IP address of the TFTP server in which the software file has been stored.
5. In the **Remote File Name** field, enter the name of the software file (if you are using a UNIX system, remember that the filename is case-sensitive).
6. Press **[Enter]**, then **[X]** (for **eXecute**) to begin the software download.

The following screen appears:

Figure 41: Example: of the download OS (software) screen during a download

```
----- CONSOLE - MANAGER MODE -----
                          Download OS
Current Firmware revision : E.08.00
Method [TFTP] : TFTP
TFTP Server : 10.28.227.105

Remote File Name : K.11.00.swi

                          Received 370,000 bytes of OS download.
+-----+
|*****|
+-----+
```

A "progress" bar indicates the progress of the download. When the entire software file has been received, all activity on the switch halts and you will see **Validating and writing system software to FLASH...**

7. After the primary flash memory is updated with the new software, you must reboot the switch to implement the newly downloaded software. Return to the Main Menu and press **[6]** (for **Reboot Switch**).

You will see this prompt:

```
Continue reboot of system? : No
```

Press the space bar once to change **No** to **Yes**, then press **[Enter]** to begin the reboot.



When you use the menu interface to download a switch software, the new image is always stored in primary flash. Also, using the `Reboot Switch` command in the Main Menu always reboots the switch from primary flash. Rebooting the switch from the CLI provides more options. See "Rebooting the Switch" in the basic operation guide.

8. After you reboot the switch, confirm that the software downloaded correctly:
 - a. From the Main Menu, select
 2. **Switch Configuration...**
 2. **Port/Trunk Settings**
 - b. Check the **Firmware revision** line.

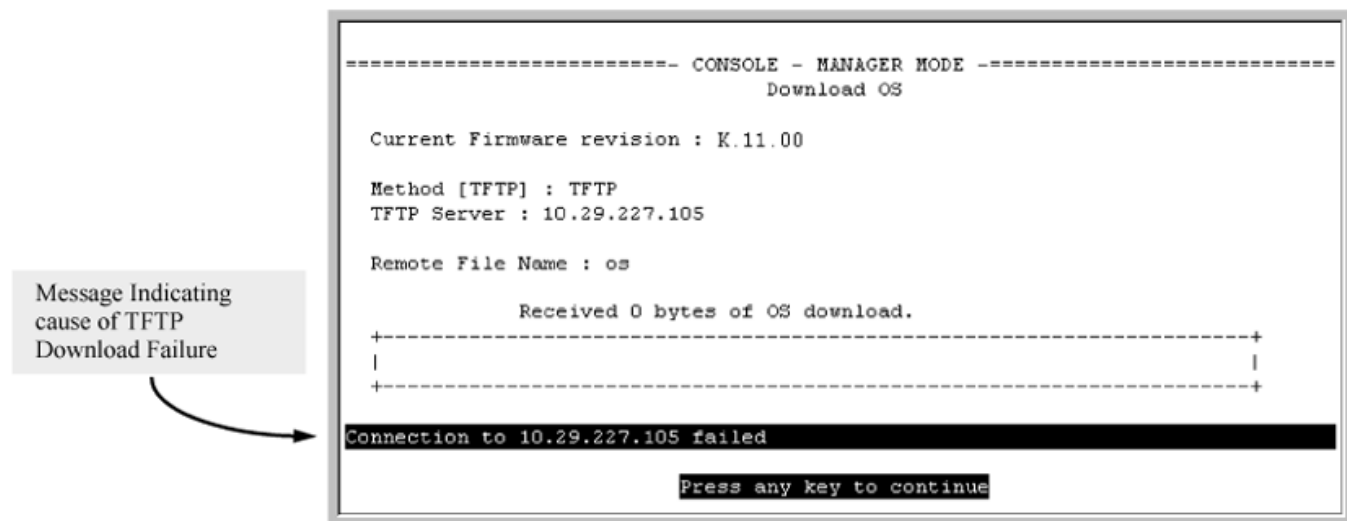
For troubleshooting information on download failures, see [Troubleshooting TFTP download failures](#) on page 319.

Troubleshooting TFTP download failures

Cause

When using the menu interface, if a TFTP download fails, the Download OS (Operating System, or software) screen indicates the failure as seen in the following figure.

Figure 42: Example: of message for download failure



Some of the causes of download failures include:

- Incorrect or unreachable address specified for the **TFTP Server** parameter. This may include network problems.
- Incorrect VLAN.
- Incorrect name specified for the **Remote File Name** parameter, or the specified file cannot be found on the TFTP server. This can also occur if the TFTP server is a UNIX machine and the case (upper or lower) for the filename on the server does not match the case for the filename entered for the **Remote File Name** parameter in the **Download OS** (Operating System, or software) screen.
- One or more of the switch's IP configuration parameters are incorrect.
- For a UNIX TFTP server, the file permissions for the software file do not allow the file to be copied.
- Another console session (through either a direct connection to a terminal device or through Telnet) was already running when you started the session in which the download was attempted.

To find more information on the cause of a download failure:

- Examine the messages in the switch's Event Log by executing the `show log tftp` command from the CLI.
- For descriptions of individual Event Log messages, see the latest version of the event log message reference guide for your switch, available on the HPE Switch website. (See "Getting Documentation From the Web".)



If an error occurs in which normal switch operation cannot be restored, the switch automatically reboots itself, and an appropriate message is displayed after the reboot.

Downloading from a server to flash using TFTP (CLI)

Syntax:

```
copy tftp flash <ip-address> <remote-file> [<primary | secondary>]
```

Automatically downloads a switch software file to primary or secondary flash. If you do not specify the flash destination, the TFTP download defaults to primary flash.

Example:

To download a switch software file named k0800.swi from a TFTP server with the IP address of 10.28.227.103 to primary flash:

Procedure

1. Execute `copy` as shown below:

The command to download an OS (switch software)

```
switch# copy tftp flash 10.28.227.103 k0800.swi
The primary OS Image will be deleted, continue [y/n]? y 1
01431K 2
```

- ¹This message means that the image you want to upload will replace the image currently in primary flash.
- ²Dynamic counter continually displays the number of bytes transferred.

When the switch finishes downloading the software file from the server, it displays this progress message:

```
Validating and Writing System Software to FLASH ...
```

2. When the download finishes, you must reboot the switch to implement the newly downloaded software image. To do so, use one of the following commands:

Syntax:

```
boot system flash {<primary | secondary>}
```

Boots from the selected flash.

Syntax:

```
reload
```

Boots from the flash image and startup-config file. A switch covered in this guide (with multiple configuration files), also uses the current startup-config file.

For more information on these commands, see "Rebooting the Switch" in the basic operation guide for your switch.

3. To confirm that the software downloaded correctly, execute `show system` and check the **Firmware revision** line.

For information on primary and secondary flash memory and the boot commands, see "Using Primary and Secondary Flash Image Options" in the basic operation guide for your switch.



If you use `auto-tftp` to download a new image in a redundant management system, the active management module downloads the new image to both the active and standby modules. Rebooting after the `auto-tftp` process completes reboots the entire system.

Enabling TFTP (CLI)

TFTP is enabled by default on the switch. If TFTP operation has been disabled, you can re-enable it by specifying TFTP client or server functionality with the `tftp [client|server]` command at the global configuration level.

Syntax:

```
[no] tftp [client | server]
```

Disables/re-enables TFTP for client or server functionality so that the switch can:

- Use TFTP client functionality to access TFTP servers in the network to receive downloaded files.
- Use TFTP server functionality to upload files to other devices on the network.



Usage notes

To disable all TFTP client or server operation on the switch except for the auto-TFTP feature, enter the `no tftp [client|server]` command.

When IP SSH file transfer is used to enable SCP and SFTP functionality on the switch, this disables TFTP client and server functionality. Once `ip ssh file transfer` is enabled, TFTP and auto-TFTP cannot be re-enabled from the CLI.

When TFTP is disabled, instances of TFTP in the CLI `copy` command and the Menu interface "Download OS" screen become unavailable.

The `no tftp [client|server]` command does not disable auto-TFTP operation. To disable an auto-TFTP command configured on the switch, use the `no auto-tftp` command to remove the command entry from the switch's configuration.

For information on how to configure TFTP file transfers on an IPv6 network, see the "IPv6 Management Features" in the IPv6 configuration guide for your switch.

Configuring the switch to download software automatically from a TFTP server using auto-TFTP (CLI)

The `auto-tftp` command lets you configure the switch to download software automatically from a TFTP server.

At switch startup, the auto-TFTP feature automatically downloads a specified software image to the switch from a specified TFTP server and then reboots the switch. To implement the process, you must first reboot the switch using one of the following methods:

- Enter the `boot system flash primary` command in the CLI.
- With the default flash boot image set to primary flash (the default), enter the `boot` or the `reload` command, or cycle the power to the switch. (To reset the boot image to primary flash, use `boot set-default flash primary`.)

Syntax:

```
auto-tftp <ip-addr> <filename>
```

By default, auto-TFTP is disabled. This command configures the switch to automatically download the specified software file from the TFTP server at the specified IP address. The file is downloaded into primary flash memory at switch startup; the switch then automatically reboots from primary flash.



To enable auto-TFTP to copy a software image to primary flash memory, the version number of the downloaded software file (For example, XX_14_01.swi) must be different from the version number currently in the primary flash image.

The current TFTP client status (enabled or disabled) does not affect auto-TFTP operation. (See **Enabling TFTP (CLI)** on page 321.)

Completion of the auto-TFTP process may require several minutes while the switch executes the TFTP transfer to primary flash and then reboots again.

The `no` form of the command disables auto-TFTP operation by deleting the `auto-tftp` entry from the startup configuration.

The `no auto-tftp` command does not affect the current TFTP-enabled configuration on the switch. However, entering the `ip ssh filetransfer` command automatically disables both `auto-tftp` and `tftp` operation.

Use USB to transfer files to and from the switch

The switch's USB port (labeled as **Aux Port**) allows the use of a USB flash drive for copying configuration files to and from the switch.

Operating rules and restrictions:

- Unformatted USB flash drives must first be formatted on a PC (Windows FAT format.) For devices with multiple partitions, only the first partition is supported. Devices with secure partitions are not supported.
- If they already exist on the device, subdirectories are supported. When specifying a **filename**, you must enter either the individual file name (if at the root) or the full path name (for example, /subdir/filename.)
- To view the contents of a USB flash drive, use the `dir` command. This lists all files and directories at the root. To view the contents of a directory, you must specify the subdirectory name (that is, `dir subdirectory`.)
- The USB port supports a single USB device. USB hubs to add more ports are not supported.



Some USB flash drives may not be supported on your switch. Consult the latest *Release Notes* for information on supported devices.

Using SCP and SFTP

For some situations you may want to use a secure method to issue commands or copy files to the switch. By opening a secure, encrypted SSH session and enabling `ip ssh file transfer`, you can then use a third-party software application to take advantage of SCP and SFTP. SCP and SFTP provide a secure alternative to TFTP for transferring information that may be sensitive (like switch configuration files) to and from the switch. Essentially, you are creating a secure SSH tunnel as a way to transfer files with SFTP and SCP channels.

Once you have configured your switch to enable secure file transfers with SCP and SFTP, files can be copied to or from the switch in a secure (encrypted) environment and TFTP is no longer necessary.

To use these commands, you must install on the administrator workstation a third-party application software client that supports the SFTP and/or SCP functions. Some examples of software that supports SFTP and SCP are PuTTY, Open SSH, WinSCP, and SSH Secure Shell. Most of these are freeware and may be downloaded without cost or licensing from the internet. There are differences in the way these clients work, so be sure you also download the documentation.

As described earlier in this chapter you can use a TFTP client on the administrator workstation to update software images. This is a plain-text mechanism that connects to a standalone TFTP server or another HPE switch acting as a TFTP server to obtain the software image files. Using SCP and SFTP allows you to maintain your switches

with greater security. You can also roll out new software images with automated scripts that make it easier to upgrade multiple switches simultaneously and securely.

SFTP is unrelated to FTP, although there are some functional similarities. Once you set up an SFTP session through an SSH tunnel, some of the commands are the same as FTP commands. Certain commands are not allowed by the SFTP server on the switch, such as those that create files or folders. If you try to issue commands such as `create` or `remove` using SFTP, the switch server returns an error message.

You can use SFTP just as you would TFTP to transfer files to and from the switch, but with SFTP, your file transfers are encrypted and require authentication, so they are more secure than they would be using TFTP. SFTP works only with SSH version 2 (SSH v2).



SFTP over SSH version 1 (SSH v1) is not supported. A request from either the client or the switch (or both) using SSH v1 generates an error message. The actual text of the error message differs, depending on the client software in use. Some examples are:

```
Protocol major versions differ: 2 vs. 1
Connection closed

Protocol major versions differ: 1 vs. 2
Connection closed

Received disconnect from <ip-addr> : /usr/local/libexec/
sftp-server: command not supported
Connection closed
```

SCP is an implementation of the BSD `rcp` (Berkeley UNIX remote copy) command tunneled through an SSH connection.

SCP is used to copy files to and from the switch when security is required. SCP works with both SSH v1 and SSH v2. Be aware that the most third-party software application clients that support SCP use SSHv1.

The general process for using SCP and SFTP involves three steps:

Procedure

1. Open an SSH tunnel between your computer and the switch if you have not already done so.
(This step assumes that you have already set up SSH on the switch.)
2. Execute `ip ssh filetransfer` to enable secure file transfer.
3. Use a third-party client application for SCP and SFTP commands.

Enabling SCP and SFTP

For more information about secure copy and SFTP, see [Using SCP and SFTP](#) on page 322.

Procedure

1. Open an SSH session as you normally would to establish a secure encrypted tunnel between your computer and the switch.

For more detailed directions on how to open an SSH session, see "Configuring secure shell (SSH)" in the access security guide for your switch. Please note that this is a one-time procedure for new switches or connections. If you have already done it once you should not need to do it a second time.
2. To enable secure file transfer on the switch (once you have an SSH session established between the switch and your computer), open a terminal window and enter the following command:

```
switch(config)# ip ssh filetransfer
```

For information on disabling TFTP and auto-TFTP, see [Disabling TFTP and auto-TFTP for enhanced security](#) on page 324.

Disabling TFTP and auto-TFTP for enhanced security

Using the `ip ssh filetransfer` command to enable SFTP automatically disables TFTP and auto-TFTP (if either or both are enabled), as shown in [Switch configuration with SFTP enabled](#) on page 324.

Switch configuration with SFTP enabled

```
switch(config)# ip ssh filetransfer
Tftp and auto-tftp have been disabled. 1
switch(config)# sho run
```

Running configuration:

```
; J9091A Configuration Editor; Created on release #xx.15.xx
```

```
hostname "HP Switch"
module 1 type J8702A
module 2 type J702A
vlan 1
    name "DEFAULT_VLAN"
    untagged A1-A24,B1-B24
    ip address 10.28.234.176 255.255.240.0
    exit
ip ssh filetransfer 2
no tftp-enable
password manager
password operator
```

¹ Enabling SFTP automatically disables TFTP and auto-tftp and displays this message.

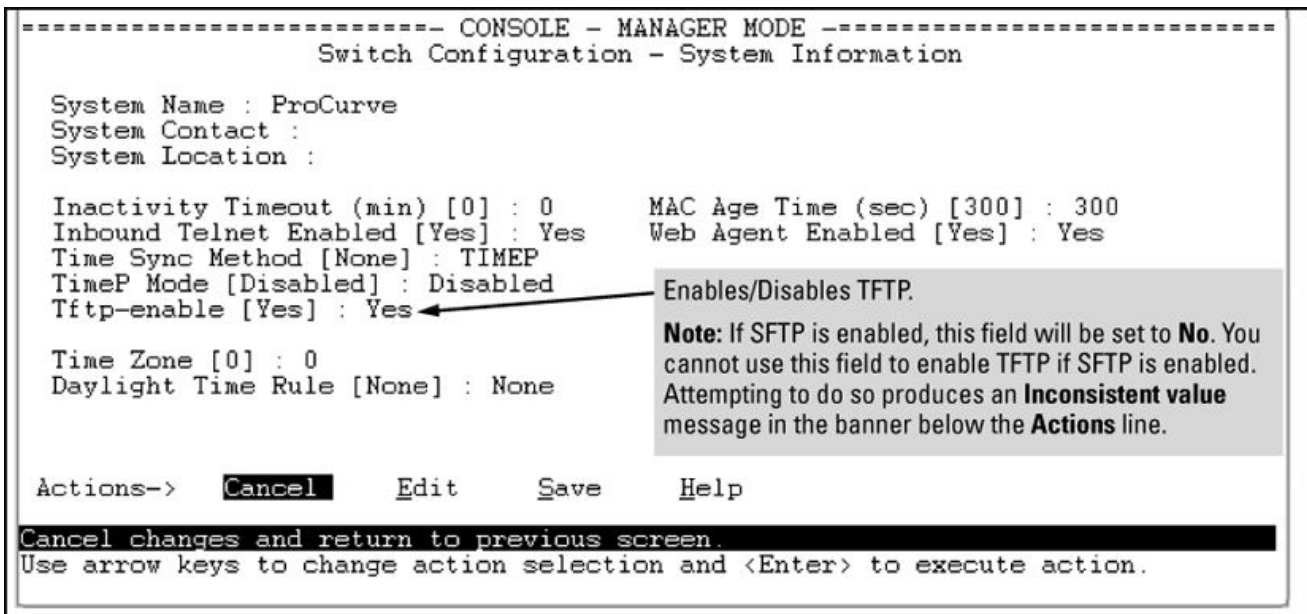
² Viewing the configuration shows that SFTP is enabled and TFTP is disabled.

If you enable SFTP and then later disable it, TFTP and auto-TFTP remain disabled unless they are explicitly re-enabled.

Operating rules are:

- The TFTP feature is enabled by default, and can be enabled or disabled through the CLI, the Menu interface (see **Figure 43: Using the Menu interface to disable TFTP** on page 325), or an SNMP application. Auto-TFTP is disabled by default and must be configured through the CLI.

Figure 43: Using the Menu interface to disable TFTP



- While SFTP is enabled, TFTP and auto-TFTP cannot be enabled from the CLI. Attempting to enable either non-secure TFTP option while SFTP is enabled produces one of the following messages in the CLI:

SFTP must be disabled before enabling tftp.

SFTP must be disabled before enabling auto-tftp.

Similarly, while SFTP is enabled, TFTP cannot be enabled using an SNMP management application. Attempting to do so generates an "inconsistent value" message. (An SNMP management application cannot be used to enable or disable auto-TFTP.)

- To enable SFTP by using an SNMP management application, you must first disable TFTP and, if configured, auto-TFTP on the switch. You can use either an SNMP application or the CLI to disable TFTP, but you must use the CLI to disable auto-TFTP.

Enabling SSH V2 (required for SFTP)

```
switch(config)# ip ssh version 2
```



As a matter of policy, administrators should **not** enable the SSH V1-only or the SSH V1-or-V2 advertisement modes. SSHv1 is supported on only some legacy switches.

Confirming that SSH is enabled

```
switch(config)# show ip ssh
```

Once you have confirmed that you have enabled an SSH session (with the `show ip ssh` command), enter `ip ssh filetransfer` so that SCP and/or SFTP can run. You can then open your third-party software client application to begin using the SCP or SFTP commands to safely transfer files or issue commands to the switch.



Any attempts to use SCP or SFTP without using `ip ssh filetransfer` cause the SCP or SFTP session to fail. Depending on the client software in use, you will receive an error message on the originating console, for Example:

```
IP file transfer not enabled on the switch
```

Disabling secure file transfer

```
switch(config)# no ip ssh filetransfer
```

Authentication

Switch memory allows up to ten public keys. This means the authentication and encryption keys you use for your third-party client SCP/SFTP software can differ from the keys you use for the SSH session, even though both SCP and SFTP use a secure SSH tunnel.



SSH authentication is mutually exclusive with RADIUS servers.

Some clients, such as PSCP (PuTTY SCP), automatically compare switch host keys for you. Other clients require you to manually copy and paste keys to the `$HOME/.ssh/known_hosts` file. Whatever SCP/SFTP software tool you use, after installing the client software you must verify that the switch host keys are available to the client.

Because the third-party software utilities you may use for SCP/SFTP vary, you should refer to the documentation provided with the utility you select before performing this process.

SCP/SFTP operating notes

- Any attempts to use SCP or SFTP without using `ip ssh filetransfer` will cause the SCP or SFTP session to fail. Depending on the client software in use, you will receive an error message on the originating console, for Example:

```
IP file transfer not enabled on the switch
```

- There is a delay when SFTP is copying an image onto the switch, and although the command prompt returns in a couple of seconds, the switch may take approximately a minute and half writing the image to flash. You can keep entering the `show flash` command to see when the copy is complete and the flash is updated. You can also check the log for an entry similar to the following:

```
I 01/09/13 16:17:07 00150 update: Primary Image updated.
```

```
I 01/09/13 16:13:22 00636 ssh: sftp session from 15.22.22.03
```

- When an SFTP client connects, the switch provides a file system displaying all of its available files and folders. No file or directory creation is permitted by the user. Files may be only uploaded or downloaded, according to the permissions mask. All of the necessary files the switch needs are already in place on the switch. You do not need to (nor can you) create new files.
- The switch supports one SFTP session or one SCP session at a time.
- All files have read-write permission. Several SFTP commands, such as `create` or `remove`, are not allowed and return an error message. The switch displays the following files:

```
/
+---cfg
|  running-config
|  startup-config
+---log
|  crash-data
```

```

| crash-data-a
| crash-data-b
| crash-data-c
| crash-data-d
| crash-data-e          "      "
| crash-data-f ""
| crash-data-g          "      "
| crash-data-h          "      "
| crash-data-I ""
| crash-data-J ""
| crash-data-K ""
| crash-data-L "      "
| crash-log
| crash-log-a
| crash-log-b
| crash-log-c
| crash-log-d
| crash-log-e""
| crash-log-f""
| crash-log-g
| crash-log-h" "
| crash-log-I" "
| crash-log-J" "
| crash-log-K" "
| crash-log-L" "
| event log
+---os
| primary
| secondary
\---ssh
+---mgr_keys
|   authorized_keys
\---oper_keys
|   authorized_keys
\---core
| port_1-24.cor      core-dump for ports 1-24 (stackable switches only)
| port_25-48.cor    core-dump for ports 25-48 (stackable switches only)

```

Once you have configured your switch for secure file transfers with SCP and SFTP, files can be copied to or from the switch in a secure (encrypted) environment and TFTP is no longer necessary.

Troubleshooting SSH, SFTP, and SCP operations

Cause

You can verify secure file transfer operations by checking the switch's event log, or by viewing the error messages sent by the switch that most SCP and SFTP clients print out on their console.



Messages that are sent by the switch to the client depend on the client software in use to display them on the user console.

Broken SSH connection

If an ssh connection is broken at the wrong moment (for instance, the link goes away or spanning tree brings down the link), a fatal exception occurs on the switch. If this happens, the switch gracefully exits the session and produces an Event Log message indicating the cause of failure. The following three examples show the error messages that may appear in the log, depending on the type of session that is running (SSH, SCP, or SFTP):

```

ssh: read error Bad file number, session aborted I 01/01/90
00:06:11 00636 ssh: sftp session from ::ffff:10.0.12.35 W
01/01/90 00:06:26 00641 ssh:

```

```
sftp read error Bad file number, session aborted I 01/01/90
00:09:54 00637 ssh: scp session from ::ffff:10.0.12.35 W 01/
01/90
```

```
ssh: scp read error Bad file number, session aborted
```



The `Bad file number` is from the system error value and may differ depending on the cause of the failure. In the third Example:, the device file to read was closed as the device read was about to occur.

Attempt to start a session during a flash write

If you attempt to start an SCP (or SFTP) session while a flash write is in progress, the switch does not allow the SCP or SFTP session to start. Depending on the client software in use, the following error message may appear on the client console:

```
Received disconnect from 10.0.12.31: 2: Flash access in
progress
```

```
lost connection
```

Failure to exit from a previous session

This next Example: shows the error message that may appear on the client console if a new SCP (or SFTP) session is started from a client before the previous client session has been closed (the switch requires approximately ten seconds to timeout the previous session):

```
Received disconnect from 10.0.12.31: 2: Wait for previous
session to complete
```

```
lost connection
```

Attempt to start a second session

The switch supports only one SFTP session or one SCP session at a time. If a second session is initiated (For example, an SFTP session is running and then an SCP session is attempted), the following error message may appear on the client console:

```
Received disconnect from 10.0.12.31: 2: Other SCP/SFTP
session running
```

```
lost connection
```

Using Xmodem to download switch software from a PC or UNIX workstation

This procedure assumes that:

- The switch is connected via the Console RS-232 port to a PC operating as a terminal. (For information on connecting a PC as a terminal and running the switch console interface, see the installation and getting started guide you received with the switch.)
- The switch software is stored on a disk drive in the PC.
- The terminal emulator you are using includes the Xmodem binary transfer feature. (For example, in the HyperTerminal application included with Windows NT, you would use the **Send File** option in the **Transfer** drop-down menu.)

Downloading to primary flash using Xmodem (Menu)



The menu interface accesses only the primary flash.

Procedure

1. From the console Main Menu, select
 - 7. Download OS**
2. Press **[E]** (for **Edit**).
3. Use the Space bar to select **XMODEM** in the **Method** field.
4. Press **[Enter]**, then **[X]** (for **eXecute**) to begin the software download.

The following message appears:

Press enter and then initiate Xmodem transfer from the attached computer.....

5. Press **[Enter]** and then execute the terminal emulator commands to begin Xmodem binary transfer.
For example, using HyperTerminal:
 - a. Click on **Transfer**, then **Send File**.
 - b. Enter the file path and name in the Filename field.
 - c. In the Protocol field, select **Xmodem**.
 - d. Click on the **[Send]** button.

The download then commences. It can take several minutes, depending on the baud rate set in the switch and in your terminal emulator.

6. After the primary flash memory has been updated with the new software, you must reboot the switch to implement the newly downloaded software. Return to the Main Menu and press **[6]** (for **Reboot Switch**). You then see the following prompt:

Continue reboot of system? : No

Press the space bar once to change **No** to **Yes**, then press **[Enter]** to begin the reboot.

7. To confirm that the software downloaded correctly:
 - a. From the Main Menu, select
 - 1. Status and Counters**
 - 1. General System Information**
 - b. Check the **Firmware revision** line.

Downloading to primary or secondary flash using Xmodem and a terminal emulator (CLI)

Syntax:

```
copy xmodem flash [<primary | secondary>]
```

Downloads a software file to primary or secondary flash. If you do not specify the flash destination, the Xmodem download defaults to primary flash.

Example:

To download a switch software file named `E0822.swi` from a PC (running a terminal emulator program such as HyperTerminal) to primary flash:

Procedure

1. Execute the following command in the CLI:

```
switch# copy xmodem flash  
Press 'Enter and start XMODEM on your host...
```

2. Execute the terminal emulator commands to begin the Xmodem transfer. For example, using HyperTerminal:

- a. Click on **Transfer**, then **Send File**.
- b. Type the file path and name in the Filename field.
- c. In the Protocol field, select **Xmodem**.
- d. Click on the **[Send]** button.

The download can take several minutes, depending on the baud rate used in the transfer.

3. When the download finishes, you must reboot the switch to implement the newly downloaded software. To do so, use one of the following commands:

Syntax:

```
boot system flash {<primary | secondary>}
```

Reboots from the selected flash

Syntax:

```
reload
```

Reboots from the flash image currently in use

For more information on these commands, see “Rebooting the Switches” in the basic operation guide for your switch.

4. To confirm that the software downloaded correctly:

```
switch# show system
```

Check the **Firmware revision** line. It should show the software version that you downloaded in the preceding steps.

If you need information on primary/secondary flash memory and the boot commands, see "Using Primary and Secondary Flash Image Options" in the basic operation guide for your switch.

Switch-to-switch download

You can use TFTP to transfer a software image between two switches of the same series. The CLI enables all combinations of flash location options. The menu interface enables you to transfer primary-to-primary or secondary-to-primary.

Switch-to-switch download to primary flash (Menu)

Using the menu interface, you can download a switch software file from either the primary or secondary flash of one switch to the primary flash of another switch of the same series.

Procedure

1. From the switch console Main Menu in the switch to receive the download, select **7. Download OS** screen.
2. Ensure that the **Method** parameter is set to **TFTP** (the default).
3. In the **TFTP Server** field, enter the IP address of the remote switch containing the software file you want to download.
4. For the **Remote File Name** , enter one of the following:
 - a. To download the software in the primary flash of the source switch, enter
`flash`
in lowercase characters.
 - b. To download the software in the secondary flash of the source switch, enter
`/os/secondary`
.
5. Press **[Enter]**, and then **[X]** (for **eXecute**) to begin the software download.
A "progress" bar indicates the progress of the download. When the entire switch software download has been received, all activity on the switch halts and the following messages appear:
Validating and writing system software to FLASH...
6. After the primary flash memory has been updated with the new software, you must reboot the switch to implement the newly downloaded software. Return to the Main Menu and press **[6]** (for **Reboot Switch**). You then see this prompt:
Continue reboot of system? : No
Press the space bar once to change **No** to **Yes**, then press **[Enter]** to begin the reboot.
7. To confirm that the software downloaded correctly:
 - a. From the Main Menu, select
Status and Counters
General System Information
 - b. Check the **Firmware revision** line.

Downloading the OS from another switch (CLI)

Where two switches in your network belong to the same series, you can download a software image between them by initiating a `copy tftp` command from the destination switch. The options for this CLI feature include:

- Copy from primary flash in the source to either primary or secondary in the destination.
- Copy from either primary or secondary flash in the source to either primary or secondary flash in the destination.

Downloading from primary only (CLI)

Syntax:

```
copy tftp flash <ip-addr> flash [primary | secondary]
```

When executed in the destination switch, downloads the software flash in the source switch's primary flash to either the primary or secondary flash in the destination switch.

If you do not specify either a primary or secondary flash location for the destination, the download automatically goes to primary flash.

To download a software file from primary flash in a switch with an IP address of 10.29.227.103 to the primary flash in the destination switch, you would execute the following command in the destination switch's CLI:

Switch-to-switch, from primary in source to either flash in destination

```
switch# copy tftp flash 10.29.227.13 flash
Device will be rebooted, do you want to continue [y/n]? y
00107K 1
```

¹Running Total of Bytes Downloaded

Downloading from either flash in the source switch to either flash in the destination switch (CLI)

Syntax:

```
copy tftp flash <ip-addr> {</os/primary> | </os/secondary>} [primary | secondary]
```

This command (executed in the destination switch) gives you the most options for downloading between switches. If you do not specify either a primary or secondary flash location for the destination, the download automatically goes to primary flash.

To download a software file from secondary flash in a switch with an IP address of 10.28.227.103 to the secondary flash in a destination switch, you would execute the following command in the destination switch's CLI:

Switch-to-switch, from either flash in source to either flash in destination

```
switch# copy tftp flash 10.29.227.13 flash /os/secondary secondary
Device will be rebooted, do you want to continue [y/n]? y
00184K
```

Using AirWave to update switch software

AirWave can be used to update HPE switch products. For further information, refer to the **ZTP with Airwave network Management** chapter in this manual.

Using IMC to update switch software

IMC includes a software update utility for updating on HPE switch products. For further information, refer to the getting started guide and the administrator's guide, provided electronically with the application.

Copying software images



For details on how switch memory operates, including primary and secondary flash, see “Switch Memory and Configuration” in the basic operation guide for your switch.

TFTP: Copying a software image to a remote host (CLI)

Syntax:

```
copy flash tftp <ip-addr> <filename>
```

Copies the primary flash image to a TFTP server.

Example:

To copy the primary flash to a TFTP server having an IP address of 10.28.227.105:

```
switch# copy flash tftp 10.28.227.105 k0800.swi
```

where `k0800.swi` is the filename given to the flash image being copied.

Xmodem: Copying a software image from the switch to a serially connected PC or UNIX workstation (CLI)

To use this method, the switch must be connected via the serial port to a PC or UNIX workstation.

Syntax:

```
copy flash xmodem {[<pc> | unix>]}
```

Uses Xmodem to copy a designated configuration file from the switch to a PC or UNIX workstation.

Example:

To copy the primary flash image to a serially connected PC:

Procedure

1. Execute the following command:

```
switch# copy xmodem flash  
Press 'Enter' and start XMODEM on your host...
```

2. After you see the above prompt, press **[Enter]**.
3. Execute the terminal emulator commands to begin the file transfer.

Copying diagnostic data

copy command-log

Syntax

```
copy command-log {sftp | tftp | usb | xmodem}
```

Description

This command copies the Command Log content to a remote host or to a serially-connected PC or UNIX workstation.

- Use the `sftp` option to copy data to an SFTP server.
- Use the `tftp` option to copy data to a TFTP server.
- Use the `usb` option to copy data to a USB flash drive.
- Use the `xmodem` option to copy data to the console using XMODEM.

copy event-log

Syntax

```
copy event-log [tftp <IP-ADDRESS> <FILEPATH_FILENAME> [oobm]] [usb <FILENAME>] [xmodem <FILENAME>]
```

Description

These commands copy the Event Log content to a remote host, attached USB device, or to a serially connected PC or UNIX workstation.

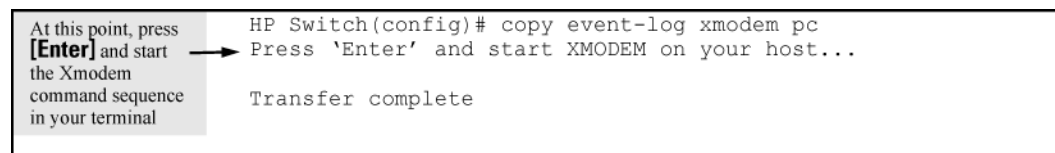
Parameters and options

oobm

For switches that have a separate OOBM port, the `oobm` parameter specifies that the transfer is through the OOBM interface. If this parameter is not specified, the transfer is through the data interface. The `oobm` parameter is not available on switches that do not have a separate OOBM port.

Copy the event log to a PC connected to the switch

Figure 44: Sending event log content to a file on an attached PC



Transferring switch configurations

Using the CLI commands described in the section beginning with **TFTP: Copying a configuration file to a remote host (CLI)** on page 335, you can copy switch configurations to and from a switch, or copy a software image to configure or replace an ACL in the switch configuration.



For greater security, you can perform all TFTP operations using SFTP, as described in the section **Using SCP and SFTP** on page 322.

You can also use the `include-credentials` command to save passwords, secret keys, and other security credentials in the running config file. For more information, see the section on "Saving Security Credentials in a Config File" in the access security guide for your switch.

TFTP: Copying a configuration file to a remote host (CLI)

Syntax:

```
copy {<startup-config | running-config>} tftp < ip-addr > < remote-file > [pc | unix]
```

```
copy config <filename> tftp <ip-addr> <remote-file> [pc | unix]
```

This command can copy a designated config file in the switch to a TFTP server. For more information, see "Multiple Configuration Files" in the basic operation guide for your switch.

Example:

To upload the current startup configuration to a file named `sw8200` in the `configs` directory on drive `"d"` in a TFTP server having an IP address of 10.28.227.105:

```
switch# copy startup-config tftp 10.28.227.105
d:\configs\sw8200
```

TFTP: Copying a configuration file from a remote host (CLI)

Syntax:

```
copy tftp {<startup-config | running-config> < ip-address > < remote-file >} [pc | unix]
```

```
copy tftp config <filename> <ip-address> <remote-file> [pc | unix]
```

This command can copy a configuration from a remote host to a designated config file in the switch. For more information, see "Multiple Configuration Files" in the basic operation guide for your switch.

For more information on flash image use, see "Using Primary and Secondary Flash Image Options" in the basic operation guide for your switch.

Example:

To download a configuration file named `sw8200` in the `configs` directory on drive `"d"` in a remote host having an IP address of 10.28.227.105:

```
switch# copy tftp startup-config 10.28.227.105
d:\configs\sw8200
```

TFTP: Copying a customized command file to a switch (CLI)

Using the `copy tftp` command with the `show-tech` option provides the ability to copy a customized command file to the switch. When the `show tech custom` command is executed, the commands in the custom file are executed instead of the hard-coded list of commands. If no custom file is found, the current hard-coded list is executed. This list contains commands to display data, such as the image stamp, running configuration, boot history, port settings, and so on.

Syntax:

```
copy tftp show-tech <ipv4 or ipv6 address> <filename>
```

Copies a customized command file to the switch (see [Using the copy tftp show-tech command to upload a customized command file](#) on page 336).

Using the copy tftp show-tech command to upload a customized command file

```
switch(config)# copy tftp show-tech 10.10.10.3 commandfile1
```

Syntax:

```
show tech custom
```

Executes the commands found in a custom file instead of the hard-coded list.



Exit the global config mode (if needed) before executing `show tech` commands.

You can include `show tech` commands in the custom file, with the exception of `show tech custom`. For example, you can include the command `show tech all`.

If no custom file is found, a message displays stating "No SHOW-TECH file found." (No custom file was uploaded with the `copy tftp show-tech` command.)

The show tech custom command

```
switch# show tech custom  
No SHOW-TECH file found.
```

USB: Copying a configuration file to a USB device

Syntax:

```
copy startup-config usb <FILENAME>
```

This command can copy a designated config file in the switch to a USB device.

Example:

`MyConfig` is the name given to the configuration file that you copy from the switch to the USB device.

```
switch# copy startup-config usb MyConfig
```

USB: Copying a configuration file from a USB device

Syntax:

```
copy usb startup-config <FILENAME>
```

Description:

Copies a configuration file from a USB device to the startup configuration file on the switch. To execute the command, you must know the name of the file to copy.

Example:

`MyConfig` is the name given to the configuration file that you copy from the switch to the USB device.


```
switch# copy usb startup-config MyConfig
```

Xmodem: Copying a configuration file to a serially connected PC or UNIX workstation (CLI)

To use this method, the switch must be connected via the serial port to a PC or UNIX workstation. You will need to:

- Determine a filename to use
- Know the directory path you will use to store the configuration file.

Syntax:

```
copy {<startup-config | running-config>} xmodem {<pc | unix>}
```

```
copy config <filename> xmodem {<pc | unix>}
```

Uses Xmodem to copy a designated configuration file from the switch to a PC or UNIX workstation. For more information, see "Multiple Configuration Files" in the basic operation guide for your switch.

Example:

To copy a configuration file to a PC serially connected to the switch:

1. Determine the file name and directory location on the PC.
2. Execute the following command:

```
switch# copy startup-config xmodem pc  
Press 'Enter' and start XMODEM on your host...
```

3. After you see the above prompt, press **[Enter]**.
4. Execute the terminal emulator commands to begin the file transfer.

Xmodem: Copying a configuration file from a serially connected PC or UNIX workstation (CLI)

To use this method, the switch must be connected via the serial port to a PC or UNIX workstation on which is stored the configuration file you want to copy. To complete the copying, you need to know the name of the file to copy and the drive and directory location of the file.

Syntax:

```
copy xmodem startup-config {<pc | unix>}
```

```
copy xmodem config <filename> < {pc | unix}>
```

Copies a configuration file from a serially connected PC or UNIX workstation to a designated configuration file on the switch.

For more information, see "Multiple Configuration Files" in the basic operation guide for your switch.

Example:

To copy a configuration file from a PC serially connected to the switch:

Procedure

1. Execute the following command:

```
switch# copy xmodem startup-config pc
Device will be rebooted, do you want to continue [y/n]? y
Press 'Enter' and start XMODEM on your host...
```

2. After you see the above prompt, press **[Enter]**.
3. Execute the terminal emulator commands to begin the file transfer.
4. When the download finishes, you must reboot the switch to implement the newly downloaded software. To do so, use one of the following commands:

Syntax:

```
boot system flash [primary | secondary]
```

```
boot system flash [config < filename >]
```

Switches boot from the designated configuration file. For more information, see "Multiple Configuration Files" in the basic operation guide for your switch.

Syntax:

```
reload
```

Reboots from the flash image currently in use.

(For more on these commands, see "Rebooting the Switch" in the basic operation guide for your switch.)

Transferring ACL command files

This section describes how to upload and execute a command file to the switch for configuring or replacing an ACL in the switch configuration. Such files should contain only access control entry (ACE) commands. For more on this general topic, including an Example: of an ACL command file created offline, see the section "Editing ACLs and Creating an ACL Offline" in the "Access Control Lists (ACLs)" of the latest access security guide for your switch.

TFTP: Uploading an ACL command file from a TFTP server (CLI)

Syntax:

```
copy tftp command-file <ip-addr> <filename.txt> {<unix | pc>}
```

Copies and executes the named text file from the specified TFTP server address and executes the ACL commands in the file.

<ip-addr>	The IP address of a TFTP server available to the switch
<filename.txt>	A text file containing ACL commands and stored in the TFTP directory of the server identified by <i>ip-addr</i>
{<unix pc>}	The type of workstation used for serial, Telnet, or SSH access to the switch CLI

Depending on the ACL commands used, this action does one of the following in the `running-config` file:

- Creates a new ACL.
- Replaces an existing ACL. (See "Creating an ACL Offline" in the "Access Control Lists (ACLs)" in the latest access security guide for your switch.)
- Adds to an existing ACL

Example:

Suppose you:

- Created an ACL command file named `vlan10_in.txt` to update an existing ACL.
- Copied the file to a TFTP server at 18.38.124.16.

Using a PC workstation, you then execute the following from the CLI to upload the file to the switch and implement the ACL commands it contains:

```
switch(config)# copy tftp command-file 18.38.124.16
vlan10_in.txt pc
```

The switch displays this message:

```
Running configuration may change, do you want to continue
[y/n]?
```

To continue with the upload, press the **[Y]** key. To abort the upload, press the **[N]** key. Note that if the switch detects an illegal (non-ACL) command in the file, it bypasses the illegal command, displays a notice (as shown in **Figure 45: Using the copy command to download and configure an ACL** on page 339), and continues to implement the remaining ACL commands in the file.

Figure 45: *Using the copy command to download and configure an ACL*

```
switch(config)# copy tftp command-file 10.38.124.18 vlan10_in.txt pc
Running configuration may change, do you want to continue [y/n]? y
  1. ip access-list extended "155"
  2. deny tcp 0.0.0.0 255.255.255.255 10.10.10.2 0.0.0.0 eq 23 log
  3. permit ip 0.0.0.0 255.255.255.255 0.0.0.0 255.255.255.255
  4. show running
Command files are limited to access-list commands. 1
  5. exit
Switch(config)# show running 2
Running configuration:

; J9091A Configuration Editor; Created on release #W.15.05.0000x
; Ver #01:01:00

hostname "HP Switch"
cdp run
ip default-gateway 10.38.248.1
logging 10.38.227.2
snmp-server community "public" unrestricted
ip access-list extended "155"
deny tcp 0.0.0.0 255.255.255.255 10.10.10.2 0.0.0.0 eq 23 log
permit ip 0.0.0.0 255.255.255.255 0.0.0.0 255.255.255.255
exit
```

¹This message indicates that the `show running` command just above it is not an ACL command and will be ignored by the switch.

²Manually executing the `show running` from the CLI indicates that the file was implemented, creating ACL 155 in the switch's running configuration.

Xmodem: Uploading an ACL command file from a serially connected PC or UNIX workstation (CLI)

Syntax:

```
copy xmodem command-file {<unix | pc>}
```

Uses Xmodem to copy and execute an ACL command from a PC or UNIX workstation. Depending on the ACL commands used, this action does one of the following in the running-config file:

- Creates a new ACL.
- Replaces an existing ACL. (See "Creating an ACL Offline" in the "Access Control Lists (ACLs)" in the latest access security guide for your switch.)
- Adds to an existing ACL.

Single copy command

When a switch crashes, five files relating to the crash; `core-dump`, `crash-data`, `crash-log`, `fdr-log`, and `event-log` are created and should be copied for review. All five files (`core-dump`, `crash-data`, `crash-log`, `fdr-log`, and `event-log`) should be copied to a destination specified under a directory by file name.

TFTP

A destination directory and files can be created for all crash files (`core-dump`, `crash-data`, `crash-log`, `fdr-log`, and `event-log`) on an TFTP server (with write permissions).

SFTP

Files are auto created on the SFTP server as a secured transfer. The destination directories however can be manually created on the server.



Specified directories can be used for the TFTP/SFTP transfers in the `copy` command. If the directory is specified, all files will be copied under one directory, otherwise all files will be copied to the TFTP/SFTP server home directory. It is mandatory to specify the directory name.

Single copy command

Syntax

```
copy source destination options
```

Copy data files to and from the switch.

Source

Specify the source of data using any of the following destinations.

Destination	Operation note
Flash	n/a
SFTP	For transfer of crash-files via SFTP, the destination directory must exist on the SFTP server with write permissions. File creation is not mandatory as files are automatically created with the chassis serial number suffix to the filename when using SFTP.
TFTP	For transfer of crash-files via TFTP, the destination directory along with the file names (core-dump, crash-data, crash-log, fdr-log, and event-log) must exist on the TFTP server with write permissions.
Xmodem	n/a

Data Files

Specify the data file to be copied from the source.

Data file	Operation note
<code>command-output</code> <i>command</i>	Specify a command to copy output. When using <code>command-output</code> , place the desired CLI command in double-quotes. For example: "show system".
<code>config file-name</code>	Copy named configuration file. The <code>file-name</code> option is the source configuration file being copied.
<code>core-dump</code>	Copy core-dump file from flash.
<code>crash-data</code>	Copy the switch crash-data file.
<code>crash-log a b c d e f g h master</code>	Copy the switch crash-log file.
<code>crash-files</code>	Copy core-dump, crash-data, crash-log, fdr-log, and event-log files to an SFTP/TFTP server, or xmodem terminal. When using the <code>crash-files</code> option, the destination directory alone must be specified as the destination path. Specifying the file names is not mandatory.
<code>default-config</code>	Copy custom default-config file.
<code>event-log</code>	Copy event-log file.
<code>fdr-log</code>	Copy FDR-og file from the switch to an SFTP/TFTP server or xmodem terminal.
<code>flash</code>	Copy the switch system image file.
<code>SFTP server</code>	Copy data from a SFTP server.

Table Continued

Data file	Operation note
startup-config	Copy in-flash configuration file.
ssh-client-known-hosts	Copy the known hosts file.
ssh-server-pub-key	Copy the switch's SSH server public key.
running-config	Copy running configuration file.
TFTP	Copy data from a TFTP server.
xmodem	Use xmodem on the terminal as the data source.

Destination

Specify the copy target.

Destination
SFTP
TFTP
USB (available only on the 2930M Switch Series)
xmodem

Destination
SFTP
TFTP
xmodem

Data Files

Specify the data file name at the target.

Data file
autorun-cert-file
autorun-key-file
command file
config
default-config
flash

Table Continued

Data file
pub-key-file
show-tech
startup-config
ssh-client-key
ssh-client-known-hosts

Options

Option	Operation note	Requirement
append	Add the keys for operator access.	n/a
directory	Directory name to upload.	Required for TFTP and SFTP transfers.
filename	File-name to upload/download.	Required for TFTP and SFTP transfers.
hostname	Hostname of the TFTP, SFTP server.	Required for TFTP, SFTP transfers.
IPv4 address	TFTP, SFTP server IPv4 address.	Required for TFTP, SFTP transfers.
IPv6 address	TFTP, SFTP server IPv6 address.	Required for TFTP, SFTP transfers.
manager	Replace the keys for manager access; follow with the <code>append</code> option to add the keys.	n/a
operator	Replace the keys for operator access (default); follow with the <code>append</code> option to add the keys.	n/a
pc		n/a
unix		n/a

Multiple management switches

Syntax

```
copy crash-files
```

interfaces

Copy interfaces crash files.

management

Copy management crash files.

	Destination		
	SFTP	TFTP	Xmodem
Slot-ID	X	X	X
MM-active	X	X	X
MM-standby	X	X	X

Stacking switches

Syntax

```
copy crash-files
```

member

Copy stack member crash files.

Options for member

Option	Destination			
	SFTP	TFTP	USB	xmodem
management	X	X	X	X
interfaces	X	X	X	X

Standalone switches

Syntax

```
copy crash-files
```

Options

Option	Destination		
	SFTP	TFTP	xmodem
management	X	X	X
interfaces	X	X	X

Crash file options

Syntax

```
copy crash-files crash-file-options host-name-str | ip-addr | ipv6-addr sftp dirname-str
```

Options

host-name-str

Specify hostname of the SFTP server.

ip-addr

Specify SFTP server IPv4 address.

ipv6-addr

Specify SFTP server IPv6 address.

user

Specify the username on the remote system.

username@ip-str

Specify the username along with remote system. Information (hostname, IPv4 or IPv6 address).

dirname-str

Specify the destination directory name.

Destination options**management**

Copy management crash files.

Flight Data Recorder (FDR)

The Flight Data Recorder (FDR) log collects information that is "interesting" when the switch is not performing correctly, but has not crashed. Runtime logs are written to FDR memory while the switch is running and crashtime logs are collected and stored in the FDR buffer during a switch crash.

Syntax:

```
copy fdr-log [[slot < slot-list >] | [mm-active [[current] | [previous]]] | [mm-standby] | [all]] tftp [[< hostname] | [ip-addr >]] <filename>
```

Copies `fdr-log` files to a user-specified file.

all

Copies all the log files from both management modules and all slots.

mm-active

Copies the active management module's log.

mm-standby

Copies the standby management module's log.

slot

Retrieves the crash log from the module in the identified slots.

USB



The USB port is available only on the 2930M Switch Series.

usb-port

Syntax

```
usb-port
```

```
no usb-port
```

Description

Enables the USB port.

The `no` form of the command disables the USB port and any access to the device.

Command context

Config

show usb-port

Syntax

```
show usb-port
```

Description

Displays the status of the USB port. It can be enabled, disabled, or not present.

Command context

operator

Usage

One of the following messages indicates the presence or absence of a USB device:

- Not able to sense device in USB port
- USB device detected in port
- no USB device detected in port

Example

Display USB port status.

```
switch# show usb-port
USB port status: enabled
USB port power status: power on      (USB device detected in port)
```

Downloading switch software using USB

Prerequisites

Procedure

1. Store a software version for the switch on a USB flash drive. (The latest software file is typically available from the Switch Networking website at <http://www.hpe.com/networking/support>.)
2. Insert the USB device into the switch's USB port.

3. Determine the name of the software file stored on the USB flash drive (for example, `K.0800.swi`).
4. Decide whether the image will be installed in the primary or secondary flash.

Copying using USB

To copy the primary image to a USB flash drive:

Procedure

1. Insert a USB device into the switch's USB port.
2. Execute the command: `switch# copy flash usb K.0800.swi primary/secondary` where `K.0800.swi` is the name given to the primary flash image that is copied from the switch to the USB device.

copy flash usb

Syntax

```
copy flash usb <FILENAME>
```

Description

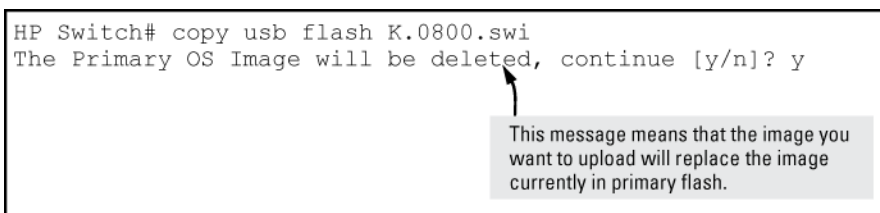
Uses the USB port to copy the specified flash image from the switch to a USB flash memory device. The default setting will use the primary image.

Copy a switch software file named `K.0800.swi` from a USB device to primary flash.

Procedure

1. Issue the `copy usb flash` command as shown below:

Figure 46: *The command to copy switch software from USB*



2. When the switch finishes copying the software file from the USB device, it displays this progress message: `Validating and Writing System Software to the Filesystem....`
3. When the save finishes, you must reboot the switch to load the newly loaded software.
4. To confirm that the software downloaded correctly, execute `show system` and check the **Software revision** line.

copy usb command-file

Syntax

```
copy usb command-file <FILENAME.TXT> [unix|pc]
```

Description

Copies and executes the named text file from a USB flash drive and executes the ACL commands in the file. Depending on the ACL commands used, this action does one of the following in the running-config file:

- Creates a new ACL.
- Replaces an existing ACL.
- Adds to an existing ACL.

Parameters

<FILENAME.TXT>

A text file containing ACL commands and stored in the USB flash drive.

unix|pc

The type of workstation used to create the text file.

Upload an ACL command file from USB

Using a PC workstation, execute the following from the CLI to upload the file to the switch and implement the ACL commands it contains:

```
switch(config)# copy usb command-file vlan10_in.txt pc
```

The switch displays this message:

```
Running configuration may change, do you want to continue  
[y/n]?
```

If the switch detects an illegal (non-ACL) command in the file, it bypasses the illegal command, displays a notice, and continues to implement the remaining ACL commands in the file.

USB autorun

USB autorun helps ease the configuration of Switch switches by providing a way to auto-execute CLI commands from a USB flash drive. Using this solution, you can create a command file (also known as an `AutoRun` file), write it to a USB storage device, and then execute the file simply by inserting the USB device into the switch's Auxiliary Port. The AutoRun file is executed automatically when autorun is enabled on the switch and can be designed for various purposes, such as to configure the switch, to update software, or to retrieve diagnostic logs for troubleshooting purposes.

The overall USB autorun solution requires the following components:

- A switch that can securely use USB autorun to load authorized configurations and write reporting information.
- A non-proprietary USB flash drive.

Using USB autorun

The general process for using USB autorun is as follows:

Procedure

1. Create an AutoRun file.
 2. See the Switch Manager documentation for details.
-



- a. Specify the target device or devices.
 - b. Create the CLI script to be executed on the target devices.
 - c. Determine if the file will be signed and/or encrypted.
 - d. Determine if the file will be 'run once' (moved to a 'processed' directory on execution) or 'run many' (kept in the root directory of the flash drive from where it can be executed again.)
-
3. Deploy the AutoRun file to a USB flash drive.
 4. (If required) Enable the autorun feature on the switch (autorun is enabled by default unless an operator or manager password has been set—See **Autorun and configuring passwords** on page 352.)
 5. (If the AutoRun file has been signed or encrypted) Enable secure-mode on the switch:
 - a. Configure an encryption key and a valid trusted certificate
 - b. Enable secure-mode via the CLI.
 6. Insert the USB flash drive into the switch's USB auxiliary port.
 7. The switch processes the AutoRun file automatically and writes a result (.txt) file and report (.xml) file back to the USB flash drive reporting on the command operations that were executed.
 8. Remove the USB device from the USB port.
 9. The switch executes any post-commands, such as rebooting the switch to apply any configuration updates.
 10. See **Troubleshooting autorun operations** on page 350.

autorun

Syntax

```
[no] autorun [encryption-key <key-string> | secure-mode]
```

Description

Enables or disables USB autorun on the switch.

Parameters and options

encryption-key

Configure the encryption key for Autorun. If in enhanced secure-mode, you will be prompted for the key. Encryption is regarded only when the AutoRun file is also signed by an authentic source.

secure-mode

Enable or disable secure mode for autorun. Defaults to enabled, or to disabled if a password has been set.

show autorun

Syntax

```
show autorun
```

Description

Displays autorun configuration status information.

show autorun

```
switch(config)# show autorun

Autorun configuration status

Enabled          : Yes
Secure-mode     : Disabled
Encryption-key  :
```

Security considerations

By default, the switch is unsecured when shipped (that is, USB autorun is enabled by default.) However, as soon as an operator or manager password is configured, autorun is disabled and must be re-enabled at the configuration level of the CLI before it can be used.

In terms of physical security, access to the switch's console port and USB port are equivalent. Keeping the switch in a locked wiring closet or other secure space helps to prevent unauthorized physical access. As additional precautions, you have the following configuration options via the CLI.

- Disable autorun by setting an operator or manager password.
- Disable or re-enable the USB autorun function via the CLI.
- Enable autorun in secure mode to verify signatures in autorun command files and to decrypt encrypted command files.

Troubleshooting autorun operations

USB auxiliary port LEDs

The following table shows LED indications on the Auxiliary Port that allow you to identify the different USB operation states.

Color	State	Meaning
Green	Slow blinking	Switch is processing USB AutoRun file.
Green	Solid	Switch has finished processing USB AutoRun file. This LED state indicates the AutoRun file was successfully executed and the report files were generated. You can review the report files on a USB-enabled computer for more details. Upon removal of the USB device, the LED turns OFF.

Table Continued

Color	State	Meaning
N/A	Off	<p>Indicates one or more of the following:</p> <ul style="list-style-type: none"> No USB device has been inserted. A USB device that cannot be recognized as a USB storage device has been inserted. No AutoRun file can be found on the inserted USB device.. <p>If the USB device has just been removed from the port, the switch executes any post commands.</p>
Amber	Fast blinking	<p>Processing Error. The AutoRun file stops processing when an error is encountered (for example, no more disk space is available on the USB device to write the result and report files.) For more information on the error, remove the USB device and inspect its contents on a USB-enabled computer.</p>

AutoRun status files

Cause

The following files are generated during autorun operations and written to the USB flash drive:

- Report files (.xml files)—show which CLI commands have been run. The file name includes a serial number and date/time stamp to indicate when and on which device the AutoRun file was executed.
- Result files (.txt files)—contain the CLI output for each command that was run on the switch, allowing you to verify whether a command was executed successfully or not.



The status files do not include any records of post commands that may have been executed after the USB flash drive was removed from the switch.

Autorun secure mode

Cause

You can use autorun secure mode to verify the authenticity of autorun command files. Secure-mode is configured using the `autorun secure-mode` command and can be enabled under both of the following conditions:

- An encryption-key has already been configured using the `autorun encryption key` command.
- A trusted certificate for verifying autorun command files has been copied to the switch using the following command:

```
copy sftp autorun-cert-file {<hostname> | <IP-Addr> | {IPv6-Addr} |
                             <user> | <user@IP>}
copy tftp autorun-cert-file {<hostname> | <IP-Addr> | <IPv6-Addr>}
copy usb autorun-cert-file <filename>
```



There is an additional security option to install a valid key-pair for signing the result files that are generated during autorun operations. You can generate the key-pair on the switch using the `crypto key generate autorun [rsa]` command.

You can also install the key-pair from a tftp server or via the USB port using the following command:

```
copy sftp autorun-key-file {<hostname> | <IP-Addr> | {IPv6-Addr> |  
                           <user> | <user@IP>}
```

```
copy tftp autorun-key-file {<hostname> | <IP-Addr> | <IPv6-Addr>}
```

```
copy usb autorun-key-file <filename>
```

The filename must contain the private key and the matching public key in a X509 certificate structure. Both the private key and the X509 certificate must be in PEM format.

Operating notes and restrictions

- Autorun is enabled by default, until passwords are set on the device.
- Secure-mode and encryption-key are disabled by default.
- To enable secure mode, both an encryption key and trusted certificate must be set.
- If secure-mode is enabled, the following conditions apply:
 - The encryption-key cannot be removed or unconfigured.
 - The key-pair cannot be removed.
- If secure mode is disabled, the key-pair can be removed using the `crypto key zeroize autorun` command.
- When installing the autorun certificate file and/or the other key files, the files must be in PEM format.

Autorun and configuring passwords

Symptom

```
switch# password manager  
New password for manager: *****  
Please retype new password for manager: *****  
Autorun is disabled as operator/manager is configured.
```

Cause

When an operator or manager password is configured on a switch, autorun is disabled automatically, and a message is displayed on the screen.

Action

After passwords are set, you can re-enable autorun as needed using the `autorun` command.

Overview

The switches have several built-in tools for monitoring, analyzing, and troubleshooting switch and network operation:

- **Status:** Includes options for displaying general switch information, management address data, port status, port and trunk group statistics, MAC addresses detected on each port or VLAN, and STP, IGMP, and VLAN data.
- **Counters:** Display details of traffic volume on individual ports.
- **Event Log:** Lists switch operating events ([Using the Event Log for troubleshooting switch problems](#) on page 483).
- **Alert Log:** Lists network occurrences detected by the switch—in the System > Logging screen of the WebAgent.
- **Configurable trap receivers:** Uses SNMP to enable management stations on your network to receive SNMP traps from the switch.
- **Port monitoring (mirroring):** Copy all traffic from the specified ports to a designated monitoring port.



Link test and ping test—analysis tools in troubleshooting situations—are described in [Troubleshooting](#) on page 451. See [Diagnostic tools](#) on page 522.

Switch and network operations

The switches have several built-in tools for monitoring, analyzing, and troubleshooting switch and network operation:

- **Status**
Includes options for displaying general switch information, management address data, port status, port and trunk group statistics, MAC addresses detected on each port or VLAN, and STP, IGMP, and VLAN data.
- **Counters**
Display details of traffic volume on individual ports ([Accessing port and trunk statistics \(Menu\)](#) on page 368.)
- **Event Log**
Lists switch operating events. See the HPE ProVision switch software troubleshooting guide for troubleshooting information.
- **Configurable trap receivers**
Uses SNMP to enable management stations on your network to receive SNMP traps from the switch.
- **Port monitoring (mirroring)**

Copy all traffic from the specified ports to a designated monitoring port .



Link test and ping test—analysis tools in troubleshooting situations—are described in the *ProVision Switch Software Troubleshooting Guide*.

Status and counters data

This section describes the status and counters screens available through the switch console interface and/or the WebAgent.



You can access all console screens from the WebAgent via Telnet to the console. Telnet access to the switch is available in the **Device View** window under the **Configuration** tab.

Accessing status and counters (Menu)

Beginning at the Main Menu, display the Status and Counters menu by selecting:

1. Status and Counters

Figure 47: *The Status and Counters menu*

```
===== CONSOLE - MANAGER MODE =====
                          Status and Counters Menu

1. General System Information
2. Switch Management Address Information
3. Module Information
4. Port Status
5. Port Counters
6. Vlan Address Table
7. Port Address Table
8. Spanning Tree Information
0. Return to Main Menu...

Displays switch management information including software versions.
To select menu item, press item number, or highlight item and press <Enter>.
```

Each of the above menu items accesses the read-only screens described on the following pages. See the online help for a description of the entries displayed in these screens.

show system

Syntax

```
show system [chassislocate|information|fans]
```

Description

Displays global system information and operational parameters for the switch.

Parameters and options

chassislocate

Displays the chassisLocator LED status. Possible values are ON, Off, or Blink. When the status is On or Blink, the number of minutes that the Locator LED will continue to be on or to blink is displayed. (See **Figure 48: Command results for show system chassislocate command** on page 356.)

information

Displays global system information and operational parameters for the switch. (See **Figure 50: Switch system information** on page 356.)

power-supply

Shows chassis power supply and settings.

temperature

Shows system temperature and settings.

fans

Shows system fan status. (See **Figure 49: System fan status** on page 356.)

show system chassislocate command

Figure 48: Command results for `show system chassislocate` command

```
HP Switch(config)# show system chassislocate
Chassis Locator LED: ON 5 minutes 5 seconds
HP Switch(config)# show system chassislocate
Chassis Locator LED: BLINK 10 minutes 6 seconds
HP Switch(config)# show system chassislocate
Chassis Locator LED: OFF
```

Figure 49: System fan status

```
HP Switch(config)# show system fans
Fan Information
  Num | State      | Failures
-----+-----+-----
Sys-1 | Fan OK     | 0
0 / 1 Fans in Failure State
0 / 1 Fans have been in Failure State
```

Figure 50: Switch system information

```
HP Switch(config)# show system
Status and Counters - General System Information

System Name       : HP Switch Switch
System Contact    :
System Location   :

MAC Age Time (sec) : 300

Time Zone         : 0
Daylight Time Rule : None

Software revision : T.13.XX           Base MAC Addr   : 001635-b57cc0
ROM Version       : K.12.12        Serial Number    : LP621KI005

Up Time          : 51 secs          Memory - Total   : 152,455,616
CPU Util (%)     : 3                Free            : 110,527,264

IP Mgmt - Pkts Rx : 0                Packet - Total   : 6750
          Pkts Tx : 0                Buffers  Free     : 5086
                                          Lowest    : 5086
                                          Missed    : 0
```

chassislocate

Syntax

Description

Identifies the location of a specific switch by activating the blue locator LED on the front panel of the switch.

```
chassislocate [blink|on|off]
```

Parameters and options

blink <1-1440>

Blinks the chassis locate LED for a specified number of minutes (Default: 30 min.)

on <1-1440>

Turns the chassis locate LED on for a specified number of minutes (Default: 20 min.)

off

Turns the chassis locate LED off.

Chassislocate at startup

The chassislocate command has an optional parameter that configures it to run in the future instead of immediately.

Syntax

```
chassislocate [on|blink] <MINUTES> at [now|startup]
```

```
chassislocate off
```

Parameters and options

<MINUTES>

Specify the number of minutes for the chassis locate LED to remain on or blink.

at

Specify when the command is applied (default immediately.)

now

Turn on the chassis locate LED immediately.

startup

Turn on the chassis locate LED at switch startup.

off

Turn off the chassis locate LED switch

chassislocate at startup

```
chassislocate blink 10 at startup
```

show system chassislocate

Syntax

```
show system chassislocate
```

Description

Displays the current status of the chassislocate settings.

Display locator LED status

Locator	LED Status	Time	Configuration
Member	Current State	Remaining	
-----	-----	-----	-----
1	blink	00:27:05	blink 30 at startup

```
2      on      01:05:27
3      off
```

General system information

Accessing system information (Menu)

From the console Main Menu, select:

1. Status and Counters

1. General System Information

Figure 51: Example: of general switch information

```

===== - CONSOLE - MANAGER MODE - =====
                Status and Counters - General System Information

System Contact      :
System Location     :

Firmware revision   : K.11.00           Base MAC Addr      : 0001e7-a09900
ROM Version         : K.11.Z4           Serial Number      : s2600017409

Up Time            : 2 hours             Memory - Total     : 24,588,136
CPU Util (%)       : 1                   Memory - Free      : 19,613,568

IP Mgmt - Pkts Rx  : 0                   Packet - Total     : 832
              Pkts Tx : 0                   Buffers - Free     : 793
                                           Lowest            : 769
                                           Missed           : 0
                                           24,588,1 6

Actions->  Back      Help
Return to previous screen.
Use arrow keys to change action selection and <Enter> to execute action.

```

This screen dynamically indicates how individual switch resources are being used. See the online Help for details.

Accessing system information (CLI)

Syntax:

```
show system [chassislocate | information | fans | power-supply | temperature]
```

Displays global system information and operational parameters for the switch.

chassislocate	Shows the chassisLocator LED status. Possible values are On, Off, or Blink. When the status is On or Blink, the number of minutes that the Locator LED will continue to be on or to blink is displayed. (See Command results for show system chassislocate command on page 358)
information	Shows global system information and operational parameters for the switch. (See Switch system information on page 359.)
fans	Shows system fan status. (See System fan status on page 359.)

Command results for show system chassislocate command

```
switch(config)# show system chassislocate
```

```
Chassis Locator LED: ON 5 minutes 5 seconds
switch(config)# show system chassislocate
Chassis Locator LED: BLINK 10 minutes 6 seconds
switch(config)# show system chassislocate
Chassis Locator LED: OFF
```

System fan status

```
switch(config)# show system fans

Fan Information
  Num | State | Failures
-----+-----+-----
  Sys-1 | Fan OK | 0

0 / 1 Fans in Failure State
0 / 1 Fans have been in Failure State
```

Switch system information

```
switch(config)# show system

Status and Counters - General System Information

System Name       : HP Switch
System Contact    :
System Location   :

MAC Age Time (sec) : 300

Time Zone         : 0
Daylight Time Rule : None

Software revision : T.13.XX      Base MAC Addr  : 001635-b57cc0
ROM Version       : XX.12.12   Serial Number   : LP621KI005

Up Time           : 51 secs     Memory - Total  : 152,455,616
CPU Util (%)      : 3           Free           : 100,527,264

IP Mgmt - Pkts Rx : 0           Packet - Total  : 6750
                Pkts Tx : 0           Buffers Free   : 5086
                                           Lowest        : 5086
                                           Missed        : 0
```

Collecting processor data with the task monitor (CLI)

The task monitor feature allows you to enable or disable the collection of processor utilization data. The `task-monitor cpu` command is equivalent to the existing debug mode command `taskusage -d`.

When the `task-monitor` command is enabled, the `show cpu` command summarizes the processor usage by protocol and system functions.

Syntax:

```
[no] task-monitor cpu
```

Allows the collection of processor utilization data.

Only manager logins can execute this command.

The settings are not persistent, that is, there are no changes to the configuration.

(Default: Disabled)

The `task-monitor cpu` command and `show cpu` output

```
switch(config)# task-monitor cpu
switch(config)# show cpu

2 percent busy, from 2865 sec ago
1 sec ave: 9 percent busy
5 sec ave: 9 percent busy
1 min ave: 1 percent busy

% CPU | Description
-----+-----
    99 | Idle
```

task-monitor cpu

Syntax

```
[no] task-monitor cpu
```

Description

Enables or disables the collection of processor utilization data, and requires a manager log in. Settings are not persistent; there are no changes to the configuration. Defaults to disabled.

task-monitor cpu command

Figure 52: *The task-monitor cpu command and show cpu output*

```
HP Switch(config)# task-monitor cpu
HP Switch(config)# show cpu

2 percent busy, from 2865 sec ago
1 sec ave: 9 percent busy
5 sec ave: 9 percent busy
1 min ave: 1 percent busy

% CPU | Description
-----+-----
    99 | Idle
```


Accessing system information (Menu)

From the console Main Menu, select **1. Status and Counters**, and then select **1. General System Information**.

Figure 53: Example of general switch information

```
===== CONSOLE - MANAGER MODE =====
                Status and Counters - General System Information

System Contact      :
System Location     :

Firmware revision   : K.11.00           Base MAC Addr      : 0001e7-a09900
ROM Version         : K.11.Z4           Serial Number      : S2600017409

Up Time             : 2 hours           Memory - Total     : 24,588,136
CPU Util (%)        : 1                 Memory - Free      : 19,613,568

IP Mgmt - Pkts Rx   : 0                 Packet - Total     : 832
          Pkts Tx   : 0                 Packet - Free      : 793
                                     Packet - Lowest    : 769
                                     Packet - Missed    : 0
                                     24,588,1 6

Actions->  Back      Help

Return to previous screen.
Use arrow keys to change action selection and <Enter> to execute action.
```

This screen dynamically indicates how individual switch resources are being used. See the online help for details.

Switch management address information access

show management

Syntax

```
show management
```

Description

Displays switch management address information.

Accessing switch management address information (Menu)

From the Main Menu, select **1. Status and Counters ...** , and then select **2. Switch Management Address Information**.

Figure 54: Example of management address information with VLANs configured

```
===== CONSOLE - MANAGER MODE =====
                Status and Counters - Management Address Information

Time Server Address : Disabled

VLAN Name      MAC Address      IP Address
-----
DEFAULT VLAN  0001e7-a09900    10.28.227.101
VLAN-22        0001e7-a09900    Disabled
VLAN-33        0001e7-a09900    Disabled

Actions->  Back      Help

Return to previous screen.
Use arrow keys to change action selection and <Enter> to execute action.
```

This screen displays addresses that are important for management of the switch. If multiple VLANs are **not configured**, this screen displays a single IP address for the entire switch. See the online help for details.

As shown in **Figure 54: Example of management address information with VLANs configured** on page 361, all VLANs on the switches use the same **MAC address**. (This includes both the statically configured VLANs and any dynamic VLANs existing on the switch as a result of GVRP operation.)

Also, the switches use a multiple forwarding database. When using multiple VLANs and connecting a switch to a device that uses a single forwarding database, such as a Switch 4000M, there are cabling and tagged port VLAN requirements.

Component information views

The CLI `show modules` command displays additional component information for the following:

- SSM—identification, including serial number
- Mini-GBICS—a list of installed mini-GBICs displaying the type, "J" number, and serial number (when available)

show modules

Syntax

```
show modules
```

Description

Displays information about the installed modules (**Figure 55: The show modules command output** on page 362), including:

- The slot in which the module is installed
- The module description
- The serial number

Additionally, this command displays the part number (J number) and serial number of the chassis. (See **Figure 56: The show modules details command for the 8212zl, showing SSM and mini-GBIC information** on page 363.)

show modules command

Figure 55: *The show modules command output*

```
HP Switch(config)# show modules

Status and Counters - Module Information

Chassis: 5406z1 J8697A          Serial Number:  SG560TN124
Slot  Module Description          Serial Number
-----
A    HP Switch J8706A 24p SFP z1 Module  AD722BX88F
B    HP Switch J8702A 24p Gig-T z1 Module FE999CV77F
C    HP Switch J8707A 4p 10-Gbe z1 Module FB345DC99D
```

show modules details command

Figure 56: The show modules details command for the 8212zl, showing SSM and mini-GBIC information

```
HP Switch(config)# show modules details

Status and Counters - Module Information

Chassis: 8212zl J8715A      Serial Number:  SG560TN124
Slot  Module Description          Serial Number  Status
-----
MM1   HP Switch J9092A Management Module 8200z1  AD722BX88F    Active
SSM   HP Switch J8784A System Support Module      AF988DC78G    Active
C     HP Switch J8750A 20p +4 Mini-GBIC Module    446S2BX007    Active
      GBIC 1: J4859B 1GB LX-LC                4720347DFED734
      GBIC 2: J4859B 1GB LX-LC                4720347DFED735
```

Viewing port status (Menu)

From the Main Menu, select **1. Status and Counters ...** , and then select **3. Module Information**.

Task usage reporting

The task usage reporting feature provides the ability to collect and display CPU usage data (with a refresh rate of 5 seconds) of running tasks on the switch. It includes the following commands:

- `process-tracking`: This command is used to enable/disable the task-usage collecting capability for a specific module on the switch.
- `show cpu process`: This command is used to display task-usage statistics for a specific module.

Syntax:

```
[no] process-tracking [slot[SLOT-LIST] [<time>]] [<time>]
```

Enables/disables module process-tracking functionality.

```
process-tracking <tab>
```

slot	Enables/disables process-tracking for a module.
INTEGER	Specifies time to track value between 1 second to 30 seconds.
<cr>	

```
process-tracking slot <tab>
```

SLOT-ID-RANGE	Enter an alphabetic device slot identifier or slot range.
---------------	---

```
process-tracking slot A
```

INTEGER	Specifies time to track value between 1 second to 30 seconds.
<cr>	

```
process-tracking slot A 10 <tab>
```

<cr>	
------	--

```
process-tracking 10 <tab>
```

<cr>	
------	--

Syntax:

```
show cpu [<CHASSIS_MIN_CPU_UTIL_INDEX-CHASSIS_MAX_CPU_UTIL_INDEX>]  
[slot <SLOT-LIST>  
[<CHASSIS_MIN_CPU_UTIL_INDEX-CHASSIS_MODULE_MAX_CPU_UTIL_INDEX>]]  
[process [[slot <SLOT-LIST>] [refresh <iterations>]]  
[refresh <iterations>]
```

Shows average CPU utilization over the last 1, 5, and 60 seconds, or the number of seconds specified.

Use the `slot` option to display CPU utilization for the specified modules, rather than the chassis CPU.

Use the `process` option to display module process usages.

Syntax:

```
show cpu process [slot [SLOT-LIST][refresh <iterations>]]  
[refresh <iterations>]
```

Displays module process usage.

```
show cpu <tab>
```

process	Displays process usage.
slot	Displays module CPU statistics.
<1-300>	Time (in seconds) over which to average CPU utilization.
<cr>	

```
show cpu process <tab>
```

refresh	Number of times to refresh process usage display.
slot	Displays module process usage.
<cr>	

```
show cpu process refresh <tab>
```

INTEGER	Enter an integer number.
---------	--------------------------

```
show cpu process refresh 10 <tab>
```

<cr>	
------	--

```
show cpu process slot <tab>
```

SLOT-ID-RANGE	Enter an alphabetic device slot identifier or slot range.
---------------	---

```
show cpu process slot A <tab>
```

refresh	Number of times to refresh process usage display.
<cr>	

show cpu process slot A refresh <tab>

INTEGER	Enter an integer number.
---------	--------------------------

show cpu process slot A refresh 10 <tab>

<cr>	
------	--

Output for the show cpu process command

```
switch# show cpu process
```

Process Name	Priority	Recent Time	% CPU	Time Since Last Ran	Times Ran	Max Time
Idle-1	226	10 s	41	57 us	380986	69 us
Idle-3	1	5 s	20	52 us	761665	55 us
Idle-0	226	8 s	33	19 us	380867	66 us
Sessions & I/O-24	171	926 ms	3	1 ms	150	335 ms

Output for the show cpu process slot <slot-list> command

```
switch# show cpu process slot A
slot a:
```

Process Name	Priority	Recent Time	% CPU	Time Since Last Ran	Times Ran	Max Time
System Services-2	156	253 ms	2	767 ms	12	35 ms
Idle-3	1	3 s	28	13 ms	101309	150 us
Hardware Mgmt-2	192	282 ms	2	303 us	44	12 ms
Idle-1	226	6 s	55	13 ms	50793	233 us
Idle-0	226	1 s	9	14 ms	50633	106 us

Switch management address information

Accessing switch management address information (Menu)

From the Main Menu, select:

1. Status and Counters ...

2. Switch Management Address Information

Figure 57: Example: of management address information with VLANs configured

```
----- CONSOLE - MANAGER MODE -----
                Status and Counters - Management Address Information

Time Server Address : Disabled

VLAN Name      MAC Address      IP Address
-----
DEFAULT VLAN   0001e7-a09900    10.28.227.101
VLAN-22        0001e7-a09900    Disabled
VLAN-33        0001e7-a09900    Disabled

Actions->      Back      Help

Return to previous screen.
Use arrow keys to change action selection and <Enter> to execute action.
```

This screen displays addresses that are important for management of the switch. If multiple VLANs are **not configured**, this screen displays a single IP address for the entire switch. See the online Help for details.

Accessing switch management address information (CLI)

Syntax:

```
show management
```

Port Status

The WebAgent and the console interface show the same port status data.

Viewing port status (CLI)

Syntax:

```
show interfaces brief
```

Viewing port status (Menu)

From the Main Menu, select:

1. Status and Counters ...

4. Port Status

Figure 58: Example: of port status on the menu interface

```
-----
                        Status and Counters - Port Status
-----
Port      Type      Intrusion
Alert    Enabled  Status   Mode     Flow
Ctrl
-----
A1                No        Yes      Down    Down    off
A2                No        Yes      Down    Down    off
A3                No        Yes      Down    Down    off
A4                No        Yes      Down    Down    off
B1      10/100TX  No        Yes      Up      100FDx  off
B2      10/100TX  No        Yes      Down    10FDx   off
B3      10/100TX  No        Yes      Down    10FDx   off
B4      10/100TX  No        Yes      Down    10FDx   off
B5      10/100TX  No        Yes      Down    10FDx   off
B6      10/100TX  No        Yes      Down    10FDx   off
B7      10/100TX  No        Yes      Down    10FDx   off

Actions->  Back      Intrusion log  Help

Return to previous screen.
Use up/down arrow keys to scroll to other entries, left/right arrow keys to
change action selection, and <Enter> to execute action.
```

Viewing port and trunk group statistics (WebAgent)

1. In the navigation pane of the WebAgent, click Interface.
2. Click Port Info/Config.

For information about this screen, click ? in the upper right corner of the WebAgent screen.



To reset the port counters to zero, you must reboot the switch.

Port and trunk group statistics and flow control status

The features described in this section enable you to determine the traffic patterns for each port since the last reboot or reset of the switch. You can display:

- A general report of traffic on all LAN ports and trunk groups in the switch, along with the per-port flow control status (On or Off).
- A detailed summary of traffic on a selected port or trunk group.

You can also reset the counters for a specific port.

The menu interface provides a dynamic display of counters summarizing the traffic on each port. The CLI lets you see a static "snapshot" of port or trunk group statistics at a particular moment.

As mentioned above, rebooting or resetting the switch resets the counters to zero. You can also reset the counters to zero for the current session. This is useful for troubleshooting. See the Note, below.



The **Reset** action resets the counter display to zero for the current session, but does not affect the cumulative values in the actual hardware counters. (In compliance with the SNMP standard, the values in the hardware counters are not reset to zero unless you reboot the switch.) Exiting from the console session and starting a new session restores the counter displays to the accumulated values in the hardware counters.

Accessing port and trunk statistics (Menu)

From the Main Menu, select:

1. Status and Counters ...

4. Port Counters

Figure 59: Example: of port counters on the menu interface

```
===== CONSOLE - MANAGER MODE =====
                Status and Counters - Port Counters

Port      Total Bytes  Total Frames  Errors Rx  Drops Tx  Flow
-----
A1        195,072      323           0           0  off
A2        651,816      871           0           0  off
A3-Trk1   290,163       500           0           0  off
A4-Trk1   260,134       501           0           0  off
C1        859,363      5147          0           0  off
C2        674,574      1693          0           0  off
C3        26,554        246           0           0  off
C4        113,184       276           0           0  off
C5         0           0             0           0  off

Actions->  Back      Show details  Reset      Help

Return to previous screen.
Use up/down arrow keys to scroll to other entries, left/right arrow keys to
change action selection, and <Enter> to execute action.
```

To view details about the traffic on a particular port, use the ↓ key to highlight that port number, then select **Show Details**. For example, selecting port A2 displays a screen similar to **Figure 60: Example: of the display for Show Details on a selected port** on page 368, below.

Figure 60: Example: of the display for Show Details on a selected port

```
===== CONSOLE - MANAGER MODE =====
                Status and Counters - Port Counters - Port A2

Link Status      : up

Bytes Rx         : 630,746           Bytes Tx         : 21,070
Unicast Rx       : 568               Unicast Tx       : 285
Bcast/Mcast Rx   : 18               Bcast/Mcast Tx   : 0

FCS Rx           : 0                 Drops Tx         : 0
Alignment Rx     : 0                 Collisions Tx    : 0
Runts Rx         : 0                 Late Colln Tx    : 0
Giants Rx        : 0                 Excessive Colln  : 0
Total Rx Errors  : 0                 Deferred Tx      : 0

Actions->  Back      Reset      Help

Return to previous screen.
Use arrow keys to change action selection and <Enter> to execute action.
```

This screen also includes the **Reset** action for the current session.



Once cleared, statistics cannot be reintroduced.

Accessing port and trunk group statistics (CLI)

Viewing the port counter summary report

Syntax:

```
show interfaces
```

Provides an overview of port activity for all ports on the switch.

Viewing a detailed traffic summary for specific ports

Syntax:

```
show interfaces <port-list>
```

Provides traffic details for the ports you specify.

Displaying trunk load balancing statistics

To display trunk counters information since the trunk was formed with the given ports. If ports are added or removed from the trunk-groups, statistical data is reset.

Syntax:

```
show trunk-statistics <trunk-group>
```

Displays the trunk counter information since the trunk was formed.

Output for the show trunk-statistics command

```
switch(config)# show trunk-statistics trk1
```

```
Group : Trk1 Ports : 3,4  
Monitoring time : 23 hours 15 minutes
```

```
Totals
```

```
Packets Rx : 3,452,664 Bytes Rx : 14,004,243  
Packets Tx : 2,121,122 Bytes Tx : 2,077,566  
Packets Tx Drop :
```

```
Rates (5 minute weighted average):
```

```
Trunk utilization Rx : 30.2 %  
Trunk utilization Tx : 78.2 %
```

```
Traffic Spread past 5 minutes
```

Port	%Tx	%Rx	Bytes Rx	Bytes Tx	Dropped Frame-Tx
3	27	42	1,223,445	2,112,122	123,122
4	73	58	356,233	993,222	0

Clearing trunk load balancing statistics

To display trunk counters information since the trunk was formed with the given ports. If ports are added or removed from the trunk-groups, statistical data is reset. The data is for a specific trunk.

Syntax:

```
clear trunk-statistics <trunk-group>
```

Clears statistics for all trunks if no trunks identified.

trunk-group: Clears specific trunk counter information since the trunk was formed.

Resetting the port counters

It is useful to be able to clear all counters and statistics without rebooting the switch when troubleshooting network issues. The `clear statistics global` command clears all counters and statistics for all interfaces except SNMP. You can also clear the counters and statistics for an individual port using the `clear statistics <port-list>` command.

Syntax:

```
clear statistics {<< port-list > | global>}
```

When executed with the `port-list` option, clears the counters and statistics for an individual port.

When executed with the `global` option, clears all counters and statistics for all interfaces except SNMP.

The `show interfaces [<port-list>]` command displays the totals accumulated since the last boot or the last `clear statistics` command was executed. The menu page also displays these totals.

SNMP displays the counter and statistics totals accumulated since the last reboot; it is not affected by the `clear statistics global` command or the `clear statistics <port-list>` command. An SNMP trap is sent whenever the statistics are cleared.

Viewing the switch's MAC address tables

Accessing MAC address views and searches (CLI)

Syntax:

```
show mac-address  
  [vlan < vlan-id>]  
  [<port-list>]  
  [< mac-addr >]
```

Listing all learned MAC addresses on the switch, with the port number on which each MAC address was learned

```
HP Switch# show mac-address
```

Listing all learned MAC addresses on one or more ports, with their corresponding port numbers

For example, to list the learned MAC address on ports A1 through A4 and port A6:

```
HP Switch# show mac-address a1-a4,a6
```

Listing all learned MAC addresses on a VLAN, with their port numbers

This command lists the MAC addresses associated with the ports for a given VLAN. For Example:

```
HP Switch# show mac-address vlan 100
```



The switches operate with a multiple forwarding database architecture.

Finding the port on which the switch learned a specific MAC address

For example, to find the port on which the switch learns a MAC address of 080009-21ae84:

```
Select VLAN : DEFAULT VLAN
```

Accessing MAC address views and searches (Menu) Viewing and searching per-VLAN MAC-addresses

This feature lets you determine which switch port on a selected VLAN is being used to communicate with a specific device on the network.

From the Main Menu, select:

1. Status and Counters ...

5. VLAN Address Table

Procedure

1. The switch then prompts you to select a VLAN.

```
----- CONSOLE - MANAGER MODE -----
                          Status and Counters - Address Table

  MAC Address  Located on Port
-----
0030c1-7f49c0  A3
0030c1-7fec40  A1
0030c1-b29ac0  A3
0060b0-17de5b  A3
0060b0-880a80  A2
0060b0-df1a00  A3
0060b0-df2a00  A3
0060b0-e9a200  A3
009027-e74f90  A3
080009-21ae84  A3
080009-62c411  A3
080009-6563e2  A3

Actions->  Back   Search   Next page   Prev page   Help

Return to previous screen.
Use up/down arrow keys to scroll to other entries, left/right arrow keys to
change action selection, and <Enter> to execute action.
```

2. Use the Space bar to select the VLAN you want, and then press **[Enter]**.

The switch then displays the MAC address table for that VLAN:

Figure 61: Example: of the address table

```
Located MAC address and corresponding port number
-----
----- CONSOLE - MANAGER MODE -----
                          Status and Counters - Address Table

  MAC Address  Located on Port
-----
0030c1-7fcc6d  2
005004-17df9c  1
0060b0-889e00  1
```

To page through the listing, use **Next page** and **Prev page**

Finding the port connection for a specific device on a VLAN

This feature uses a device's MAC address that you enter to identify the port used by that device.

Procedure

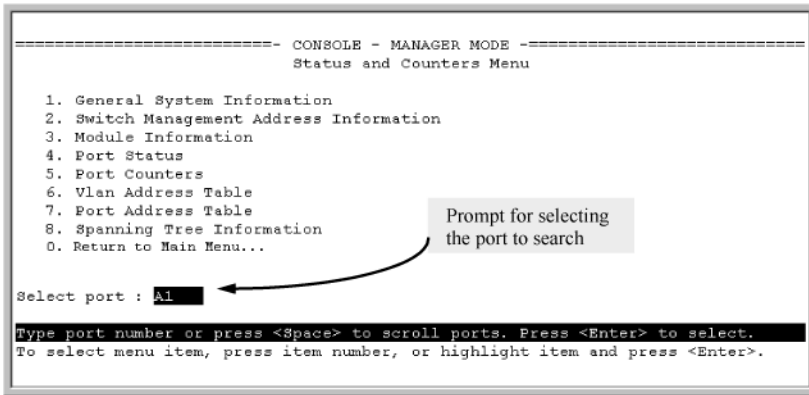
1. Proceeding from the figure above, press **[S]** (for **Search**), to display the following prompt:

Enter MAC address: _

2. Enter the MAC address you want to locate and press **[Enter]**.

The address and port number are highlighted if found (figure below). If the switch does not find the MAC address on the currently selected VLAN, it leaves the MAC address listing empty.

Figure 62: Example: of menu indicating located MAC address



```
----- CONSOLE - MANAGER MODE -----
                          Status and Counters Menu

1. General System Information
2. Switch Management Address Information
3. Module Information
4. Port Status
5. Port Counters
6. Vlan Address Table
7. Port Address Table
8. Spanning Tree Information
0. Return to Main Menu...

Select port : A1
Type port number or press <Space> to scroll ports. Press <Enter> to select.
To select menu item, press item number, or highlight item and press <Enter>.
```

Prompt for selecting the port to search

3. Press **[P]** (for **Prev page**) to return to the full address table listing.

Viewing and searching port-level MAC addresses

This feature displays and searches for MAC addresses on the specified port instead of for all ports on the switch.

Procedure

1. From the Main Menu, select:

1. Status and Counters ...

7. Port Address Table

2. Use the Space bar to select the port you want to list or search for MAC addresses, then press **[Enter]** to list the MAC addresses detected on that port.

Determining whether a specific device is connected to the selected port

Proceeding from Step 2, above:

Procedure

1. Press **[S]** (for **Search**), to display the following prompt:

Enter MAC address: _

2. Enter the MAC address you want to locate and press **[Enter]**.

The address is highlighted if found. If the switch does not find the address, it leaves the MAC address listing empty.

3. Press **[P]** (for **Prev page**) to return to the previous per-port listing.

Accessing MSTP Data (CLI)

Syntax:

```
show spanning-tree
```

Displays the switch's global and regional spanning-tree status, plus the per-port spanning-tree operation at the regional level.

Values for the following parameters appear only for ports connected to active devices: Designated Bridge, Hello Time, PtP, and Edge.

Example:

Figure 63: Output from `show spanning-tree` command

```
HP Switch(config)# show spanning-tree
```

Multiple Spanning Tree (MST) Information

```

STP Enabled      : Yes
Force Version    : MSTP-operation
IST Mapped VLANs : 1,66

Switch MAC Address : 0004ea-5e2000
Switch Priority    : 32768
Max Age          : 20
Max Hops         : 20
Forward Delay     : 15

Topology Change Count : 0
Time Since Last Change : 2 hours

CST Root MAC Address : 00022d-47367f
CST Root Priority     : 0
CST Root Path Cost   : 4000000
CST Root Port        : A1

IST Regional Root MAC Address : 00883-028300
IST Regional Root Priority     : 32768
IST Regional Root Path Cost   : 200000
IST Remaining Hops           : 19

Protected Ports : A4
Filtered Ports  : A7-A10
  
```

Switch's Spanning Tree Configuration and Identity of VLANs Configured in the Switch for the IST Instance

Identifies the overall spanning-tree root for the network.

Lists the switch's MSTP root data for connectivity with other regions and STP or RSTP devices.

Identifies the spanning-tree root for the IST Instance for the region.

Internal Spanning Tree Data (IST Instance) for the region in which the Switch Operates

Identifies the ports with BPDU protection and BPDU filtering enabled.

Yes means the switch is operating the port as if it is connected to switch, bridge, or end node (but *not* a hub).

Port	Type	Cost	Prio	State	Designated	Hello	PtP	Edge
			rity		Bridge	Time		
A1	100/1000T	Auto	128	Forwarding	000883-028300	9	Yes	No
A2	100/1000T	Auto	128	Blocked	0001e7-948300	9	Yes	No
A3	100/1000T	Auto	128	Forwarding	000883-02a700	2	Yes	No
A4	100/1000T	Auto	128	Disabled				
A5	100/1000T	Auto	128	Disabled				
.				
.				

For **Edge, No** (**admin-edge-port** operation disabled) indicates the port is configured for connecting to a LAN segment that includes a bridge or switch. **Yes** indicates the port is configured for a host (end node) link. Refer to the **admin-edge-port** description under "Configuring MSTP Per-Port Parameters" on page 3-24.

Viewing internet IGMP status (CLI)

The switch uses the CLI to display the following IGMP status on a per-VLAN basis:

Show command	Output
show ip igmp	Global command listing IGMP status for all VLANs configured in the switch: <ul style="list-style-type: none"> • VLAN ID (VID) and name • Querier address • Active group addresses per VLAN • Number of report and query packets per group • Querier access port per VLAN
show ip igmp config	Displays the IGMP configuration information, including VLAN ID, VLAN name, status, forwarding, and Querier information.
show ip igmp <vlan-id>	Per-VLAN command listing above, IGMP status for specified VLAN (VID)
show ip igmp group <ip-addr>	Lists the ports currently participating in the specified group, with port type, Access type, Age Timer data and Leave Timer data.
show ip igmp groups	Displays VLAN-ID, group address, uptime, expiration time, multicast filter type, and the last reporter for IGMP groups.
show ip igmp statistics	Displays IGMP operational information, such as VLAN IDs and names, and filtered and flooding statistics.

Output from show ip igmp config command

```
switch(config)# show ip igmp config
```

```
IGMP Service
```

VLAN ID	VLAN Name	IGMP Enabled	Forward with High Priority	Querier Allowed	Querier Internal
1	DEFAULT_VLAN	No	No	Yes	125
2	VLAN2	Yes	No	Yes	125
12	New_VLAN	No	No	Yes	125

IGMP statistical information

```
switch(vlan-2)# show ip igmp statistics
```

```
IGMP Service Statistics
```

```
Total VLANs with IGMP enabled           : 1
Current count of multicast groups joined  : 1
```

```
IGMP Joined Groups Statistics
```

```
VLAN ID VLAN Name                               Filtered      Flood
```

Viewing VLAN information (CLI)

Show command	Output
<code>show vlan</code>	<p>Lists:</p> <ul style="list-style-type: none"> • Maximum number of VLANs to support • Existing VLANs • Status (static or dynamic) • Primary VLAN
<code>show vlan <vlan-id></code>	<p>For the specified VLAN, lists:</p> <ul style="list-style-type: none"> • Name, VID, and status (static/dynamic) • Per-port mode (tagged, untagged, forbid, no/auto) • "Unknown VLAN" setting (Learn, Block, Disable) • Port status (up/down)

Example:

Suppose that your switch has the following VLANs:

Ports	VLAN	VID
A1-A12	DEFAULT_VLAN	1
A1, A2	VLAN-33	33
A3, A4	VLAN-44	44

The next three examples show how you could list data on the above VLANs.

Listing the VLAN ID (vid) and status for specific ports

```
HP Switch# show vlan ports A1-A2
```

```
Status and Counters = VLAN Information - for ports A1,A2
```

```

802.1Q VLAN ID Name          Status
-----
1          DEFAULT_VLAN Static
33         VLAN-33      Static

```

Note: Because ports A1 and A2 are not members of VLAN-44, it does not appear in this listing.

VLAN listing for the entire switch

```
HP Switch# show vlan
Status and Counters = VLAN Information
```

```
VLAN support : Yes
Maximum VLANs to support : 9
Primary VLAN: DEFAULT_VLAN
```

802.1Q	VLAN ID	Name	Status
1		DEFAULT_VLAN	Static
33		VLAN-33	Static
44		VLAN-44	Static

Port listing for an individual VLAN

```
switch(config)# show vlan 1
```

```
Status and Counters - VLAN Information - VLAN 1
```

```
VLAN ID : 1
Name : DEFAULT_VLAN
Status : Static
Voice : Yes
Jumbo : No
```

Port	Information	Mode	Unknown	VLAN	Status
A1		Untagged	Learn		Up
A2		Untagged	Learn		Up
A3		Untagged	Learn		Up
A4		Untagged	Learn		Down
A5		Untagged	Learn		Up
A6		Untagged	Learn		Up
A7		Untagged	Learn		Up

WebAgent status information

The WebAgent Status screen provides an overview of the status of the switch. Scroll down to view more details. For information about this screen, click on ? in the upper right corner of the WebAgent screen. For an Example: of a status screen, see **Figure 64: Example: of a WebAgent status screen** on page 377.

Figure 64: Example: of a WebAgent status screen

The screenshot displays the WebAgent Status screen for a ProCurve Switch 8212zl. The interface is organized into several panels:

- Switch Status:** Displays system information such as System Name (ProCurve Switch 8212zl), System Location, System Contact, System Uptime (2 days, 2 hours, 32 minutes, 44 seconds), System CPU Util (0%), and System Memory (117288960 Bytes).
- Unit Information:** Provides details about the switch hardware, including Product Name (ProCurve Switch 8212zl(J9091A)), IP Address (15.255.133.38), Base MAC Address (00 18 71 b9 85 00), Serial Number (LP713BX00E), Mgmt Server (http://www.hp.com/rnd/device_help), and Firmware Version (K.15.01.0000c.ROMK.15.04).
- VLAN:** Shows a table of VLAN configurations. The table has columns for Name, Status, and IP Address. One entry is visible: DEFAULT_VLAN, Port-based, 15.255.133.38.
- Alert Log:** Features a search bar and a table for logging alerts. The table columns are Date & Time, Status, Alert, and Description. There are also [Refresh] and [Delete] buttons.
- Details:** Shows the status of various modules. For example, Power is on, FAN is on, TMP is on, and POE is on. It also shows MM 1 Status as ACTIVE and MM 2 Status as DOWN/BOO.

Compatibility mode for v2 zl and zl modules

In the following context, v2 zl modules are the second version of the current zl modules.

Compatibility Mode allows the inter-operation of v2 zl modules with zl modules in a chassis switch. When in Compatibility Mode, the switch accepts either v2 zl or zl modules. The default is Compatibility Mode enabled. If Compatibility Mode is disabled by executing the `no allow-v1-modules` command, the switch will only power up v2 zl modules.

allow-v1-modules

Syntax

```
[no] allow-v1-modules
```

Enables Compatibility Mode for interoperation of v2 zl and zl modules in the same chassis. (See **Figure 65: Enabling compatibility mode** on page 378.) The `no` form of the command disables Compatibility Mode. Only the v2 zl modules are powered up. (See **Figure 66: Disabling compatibility mode** on page 378.) Defaults to enabled.

allow-v1-modules

Figure 65: Enabling compatibility mode

```
HP Switch(config)# allow-v1-modules
This will erase the configuration and reboot the switch.
Continue [y/n]?
```

no allow-v1-modules

Figure 66: Disabling compatibility mode

```
HP Switch(config)# no allow-v1-modules
All V1 modules will be disabled. Continue [y/n]?
```

Port status

You can view port status using either the CLI or the menu.

show interfaces brief

Syntax

```
show interfaces brief
```

Description

View the port status.

Viewing port status (menu)

From the Main Menu, select **1. Status and Counters ...**, and then select **4. Port Status**.

Figure 67: Example of port status on the menu interface

```
-----
                        Status and Counters - Port Status
-----
```

Port	Type	Intrusion Alert	Enabled	Status	Mode	Flow Ctrl
A1		No	Yes	Down		off
A2		No	Yes	Down		off
A3		No	Yes	Down		off
A4		No	Yes	Down		off
B1	10/100TX	No	Yes	Up	100FDx	off
B2	10/100TX	No	Yes	Down	10FDx	off
B3	10/100TX	No	Yes	Down	10FDx	off
B4	10/100TX	No	Yes	Down	10FDx	off
B5	10/100TX	No	Yes	Down	10FDx	off
B6	10/100TX	No	Yes	Down	10FDx	off
B7	10/100TX	No	Yes	Down	10FDx	off

```
-----
Actions->  Back   Intrusion log   Help
Return to previous screen.
Use up/down arrow keys to scroll to other entries, left/right arrow keys to
change action selection, and <Enter> to execute action.
-----
```

Accessing port and trunk group statistics

Use the CLI to view port counter summary reports, and to view detailed traffic summary for specific ports.

Trunk bandwidth utilization

- Trunk interface counters display the accumulated statistics over the trunk members' ports since the time they are added into trunk.
- Bandwidth utilization for trunks is calculated by averaging the value of the sum of bandwidth utilization for each trunk member in the last 5 minute interval .

show interfaces

Syntax

```
show interfaces [brief | config | <PORT-LIST>]
```

Description

Shows interface information for ports or trunk groups in brief or configuration detail.

Command context

operator or manager

Parameters

brief

Shows the current operating status for all ports or trunk groups on the switch in brief detail.

config

Shows the configuration data for all ports or trunk groups on the switch.

<PORT-LIST>

Specifies the list of ports for which status information will be shown.

<TRUNK-GROUP>

Specifies the trunk group for which status information will be shown. The status information shown consists of total transmit and receive counters and weighted average rate for the trunk group specified. The weighted average rate is calculated in 5 minute intervals.

Usage

Both external and internal ports are supported on the same module. Internal ports have an "I" suffix in the output of the show command to indicate that they are internal ports.

- "10GbE-INT" – Internal 10G data-plane ports (1i-2i, 4i-5i)
- "1GbE-INT" – Internal 1G control-plane port (3i)
- Port 3i always shows as link-down.

Examples

Show brief information and status of all interfaces.

```
switch# show interfaces brief
```

```
Status and Counters - Port Status
Port  Type      | Intrusion
      | Alert      Enabled Status Mode   MDI   Flow  Bcast
      |           |         |         |         | Mode Ctrl Limit
-----+-----+-----+-----+-----+-----+-----+-----+

```

B1	100/1000T	No	Yes	Down	Auto-10-100	Auto	off	0
B2	100/1000T	No	Yes	Down	1000FDx	Auto	off	0
B3	100/1000T	No	Yes	Down	1000FDx	Auto	off	0
B4	100/1000T	No	Yes	Down	1000FDx	Auto	off	0
B5	100/1000T	No	Yes	Down	1000FDx	Auto	off	0
B6	100/1000T	No	Yes	Down	1000FDx	Auto	off	0

Show the configuration of the interfaces currently available.

```
switch# show interfaces config
```

Port Settings

Port	Type	Enabled	Mode	Flow Ctrl	MDI
B1	100/1000T	Yes	Auto-10-100	Disable	Auto
B2	100/1000T	Yes	Auto	Disable	Auto
B3	100/1000T	Yes	Auto	Disable	Auto
B4	100/1000T	Yes	Auto	Disable	Auto
B5	100/1000T	Yes	Auto	Disable	Auto
B6	100/1000T	Yes	Auto	Disable	Auto

Show brief information and status of interfaces for ports D1i, D2i, and D3i.

```
switch# show interfaces brief d1i-d3i
```

Status and Counters - Port Status

Port	Type	Intrusion		Status	Mode	MDI Mode	Flow Ctrl	Bcast Limit
		Alert	Enabled					
D1i	10GbE-INT	No	Yes	Up	10GigFD	NA	off	0
D2i	10GbE-INT	No	Yes	Up	10GigFD	NA	off	0
D3i	1GbE-INT	No	Yes	Down	1000FDx	NA	off	0

Show the brief information and status of interfaces for ports B1 through internal port B3i.

```
switch# show interfaces brief b1-b3i
```

Status and Counters - Port Status

Port	Type	Intrusion		Status	Mode	MDI Mode	Flow Ctrl	Bcast Limit
		Alert	Enabled					
B1	100/1000T	No	Yes	Down	1000FDx	Auto	off	0
B2	100/1000T	No	Yes	Down	1000FDx	Auto	off	0
B3	100/1000T	No	Yes	Down	1000FDx	Auto	off	0
B4	100/1000T	No	Yes	Down	1000FDx	Auto	off	0
B5	100/1000T	No	Yes	Down	1000FDx	Auto	off	0
B6	100/1000T	No	Yes	Down	1000FDx	Auto	off	0
B7	100/1000T	No	Yes	Down	1000FDx	Auto	off	0
B8	100/1000T	No	Yes	Down	1000FDx	Auto	off	0
B9	100/1000T	No	Yes	Down	1000FDx	Auto	off	0
B10	100/1000T	No	Yes	Down	1000FDx	Auto	off	0
B11	100/1000T	No	Yes	Down	1000FDx	Auto	off	0
B12	100/1000T	No	Yes	Down	1000FDx	Auto	off	0
B1i	10GbE-INT	No	Yes	Up	10GigFD	NA	off	0
B2i	10GbE-INT	No	Yes	Up	10GigFD	NA	off	0
B3i	1GbE-INT	No	Yes	Up	1000FDx	NA	off	0

Show detailed interface information for port trunk 1.

```
switch# show interface trk1
```

Status and Counters - Port Counters for port Trk1

```
Name : Trk1
MAC Address : 3464a9-b1b8bf
```

```

Link Status      : Up
Totals (Since boot or last clear) :
  Bytes Rx       : 777,713,956          Bytes Tx       : 596,853,141
  Unicast Rx     : 1,154,693          Unicast Tx     : 0
  Bcast/Mcast Rx : 48,563             Bcast/Mcast Tx : 607,474,910
Errors (Since boot or last clear) :
  FCS Rx        : 0                   Drops Tx       : 0
  Alignment Rx   : 0                   Collisions Tx  : 0
  Runts Rx       : 0                   Late Colln    : 0
  Giants Rx      : 0                   Excessive Colln : 0
  Total Rx Errors : 0                   Deferred Tx    : 0
Others (Since boot or last clear) :
  Discard Rx     : 0                   Out Queue Len  : 0
  Unknown Protos : 0
Rates (5 minute weighted average) :
  Total Rx(Kbps) : 76,800              Total Tx(Kbps) : 76,800
  Unicast Rx (Pkts/sec) : 21          Unicast Tx (Pkts/sec) : 0
  B/Mcast Rx (Pkts/sec) : 114,878    B/Mcast Tx (Pkts/sec) : 114,900
  Utilization Rx  : 00.76 %
Utilization Tx   : 00.76 %

```

show interfaces trunk-utilization

Syntax

```
show interfaces trunk-utilization
```

Description

Shows the bandwidth utilization calculations for all trunk members.

Command context

operator or manager

Example

Show bandwidth utilization for trunks.

```
Switch(config)# show interfaces trunk-utilization
```

Status and Counters - Port Utilization

Port	Rx			Tx		
	Kbits/sec	Pkts/sec	Util	Kbits/sec	Pkts/sec	Util
Trk1	0	0	0	0	0	0
Trk2	0	0	0	0	0	0
Trk10	0	0	0	0	0	0

Statistic interactions of interface counters

Table 22: Statistic interactions

Interface counters are cleared using the command `clear statistics`. When certain actions are taken to ports and trunks, the outcome of the `clear` command differs.

Action taken	Trigger	Interaction with interface counter
Adding Port into trunk	CLI/SNMP	<ul style="list-style-type: none"> Interface counters for this port will be cleared across all sessions. Average rate counters are not cleared.
Removing Port from trunk	CLI/SNMP	<ul style="list-style-type: none"> Interface counters for this port will be cleared across all sessions. Average rate counters are not cleared.
Trunk port coming Up	CLI enable	<ul style="list-style-type: none"> No change in counters. Interface counters for this port are not cleared. Average rate counters are not cleared. Counters will start from 0 when the trunk port comes up.
Trunk port coming Up	Cable connect	<ul style="list-style-type: none"> No change in counters. Interface counters for this port are not cleared. Average rate counters are not cleared. Counters will start from 0 when the trunk port comes up.
Trunk port going Down	CLI disable	<ul style="list-style-type: none"> Interface counters for this port are not cleared. Average rate counters are cleared.
Trunk port going Down	Cable disconnect	<ul style="list-style-type: none"> Interface counters for this port are not cleared. Average rate counters are cleared.
Trunk port going Down	Module crash/ module reload	<ul style="list-style-type: none"> Interface counters for this port are not cleared. Average rate counters are cleared.
Trunk port going Down	Save power - off	<ul style="list-style-type: none"> Interface counters for this port are not cleared. Average rate counters are cleared.
Trunk port going Down	Stacking member reboot/ crash/shutdown.	<ul style="list-style-type: none"> Interface counters for this port are not cleared. Average rate counters of this port is not cleared. Utilization for the port is cleared. Utilization for the trunk group is updated accordingly

Table Continued

Action taken	Trigger	Interaction with interface counter
Trunk port going Down	Module remove/ member remove.	<ul style="list-style-type: none"> Statistics for removed trunk port can not be accessed as the port is removed. Interface counters for the trunk group is updated. Utilization for the trunk group is updated.
Clear statistics on physical port which is part of trunk	CLI	<ul style="list-style-type: none"> Not allowed. The error message <code>Module not present for port or invalid port: <PORT-NUM></code> displays when the command <code>clear statistics</code> is executed on a port which part of a trunk.
Clear statistics on trunk.	CLI	<ul style="list-style-type: none"> Interface counters for physical ports which are part of trunk will be cleared. Average rate counters are not cleared.

Reset port counters

When troubleshooting network issues, you can clear all counters and statistics without rebooting the switch using the `clear statistics global` command or using the menu.

SNMP displays the counter and statistics totals accumulated since the last reboot, and it is not affected by the `clear statistics global` command or the `clear statistics <PORT-LIST>` command. Clearing statistics initiates an SNMP trap.

❗ Once cleared, statistics cannot be reintroduced.

clear statistics

Syntax

```
clear statistics [<PORT-LIST>|global]
```

Description

This command clears all counters and statistics for all interfaces except SNMP.

Parameters and options

<PORT-LIST>

Clears the counters and statistics for specific ports.

global

Clears all counters and statistics for all interfaces except SNMP.

Accessing port and trunk statistics (Menu)

Procedure

1. From the Main Menu, select **1. Status and Counters ...** , and then select **4. Port Counters**.

Figure 68: Example of port counters on the menu interface

```
----- CONSOLE - MANAGER MODE -----
                Status and Counters - Port Counters

  Port      Total Bytes  Total Frames  Errors Rx  Drops Tx  Flow
-----
  A1        195,072      323           0           0  off
  A2        651,816      871           0           0  off
  A3-Trk1   290,163           500           0           0  off
  A4-Trk1   260,134           501           0           0  off
  C1        859,363      5147          0           0  off
  C2        674,574      1693          0           0  off
  C3         26,554        246           0           0  off
  C4        113,184        276           0           0  off
  C5         0             0             0           0  off

Actions->  Back  Show details  Reset  Help

Return to previous screen.
Use up/down arrow keys to scroll to other entries, left/right arrow keys to
change action selection, and <Enter> to execute action.
```

2. To view details about the traffic on a particular port, use the ↓ key to highlight that port number, and then select **Show Details** . For example, selecting port A2 displays a screen similar to the example below.

Figure 69: Example of the display for Show Details on a selected port

```
----- CONSOLE - MANAGER MODE -----
                Status and Counters - Port Counters - Port A2

Link Status      : up

Bytes Rx         : 630,746          Bytes Tx         : 21,070
Unicast Rx       : 568              Unicast Tx       : 285
Bcast/Mcast Rx  : 18                Bcast/Mcast Tx  : 0

FCS Rx           : 0                Drops Tx         : 0
Alignment Rx     : 0                Collisions Tx    : 0
Runts Rx         : 0                Late Colln Tx    : 0
Giants Rx        : 0                Excessive Colln  : 0
Total Rx Errors  : 0                Deferred Tx      : 0

Actions->  Back  Reset  Help

Return to previous screen.
Use arrow keys to change action selection and <Enter> to execute action.
```

This screen also includes the **Reset** action for the current session.

MAC address tables

MAC address views and searches

You can view and search MAC addresses using the CLI or the menu.

show mac-add detail

Syntax

```
show mac-address detail
```

Description

Shows the age of the learned MAC addresses in the MAC table. The age of a specific MAC-address will be displayed in dd:hr:min:sec.msec format.

Command context

manager

Examples

show mac-add detail on a specified switch.

```
switch# show mac-add detail
```

Status and Counters - Port Address Table

MAC Address	Port	VLAN	Age (d:h:m:s.ms)
3c4a92-31c100	F23	1	0000:00:00:00.34
9cb654-ce6169	A2	1	0000:00:02:37.93
c09134-cd2740	F23	1	0000:00:00:00.28
c09134-cd277d	F23	1	0000:00:00:23.62
f0921c-85b0e0	F24	1	0000:00:00:08.29
f0921c-85b0e9	F24	1	0000:00:00:09.47

show mac-add detail for Vxlan Tunnel supporting and non-supporting platforms.

```
switch# show mac-address detail
```

Status and Counters - Port Address Table

MAC Address	Port	VLAN	Age (d:h:m:s.ms)
f0921c-b6e940	L22	1	0000:00:23:26.93
0180c2-00000f	A24	50	0000:00:00:00.00
d18cc2-00000f	A24	50	0001:21:43:59.92
e18dd2-00000f	A24	50	0000:18:23:24.22

show mac-add detail for platforms not supporting Vxlan Tunnels.

```
stack-Switch# show mac-address detail
```

Status and Counters - Port Address Table

MAC Address	Port	VLAN	Age (d:h:m:s.ms)
009c02-d80f28	1/2	1	0000:00:00:30.18
3464a9-abe500	1/2	1	0030:07:01:20.23

show mac-address

Syntax

```
show mac-address [vlan <VLAN-ID> ] [<PORT-LIST>] [<MAC-ADDR>] [TUNNEL-ID]
```

Description

Lists all MAC addresses on the switch and their corresponding port numbers. You can also choose to list specific addresses and ports, or addresses and ports on a VLAN. The switches operate with a multiple forwarding database architecture.

Command context

manager

Parameters

vlan <VLAN-ID>

Show MAC addresses learned on a specified VLAN.

PORT-LIST

Show MAC addresses learned on the specified ports.

<MAC-ADDR>

Show the specified port for a specified MAC address.

TUNNEL-ID

Show MAC addresses learned on the specified VXLAN tunnel.

Usage

show mac-address

Lists all learned MAC addresses on the switch and their corresponding port numbers.

show mac-address a1-a4,a6

Lists all learned MAC addresses on one or more ports and their corresponding port numbers.

show mac-address vlan 100

Lists all learned MAC addresses on a VLAN and their corresponding port numbers.

show mac-address <MAC-ADDRESS> detail

Syntax

Syntax

show mac-address <MAC-ADDRESS> detail

Description

Specifies the age and existing details of the specific mac address given.

manager

Parameters

<MAC-ADDRESS>

Specifies the mac-address being requested in detail.

Examples

Show mac-address detail for f0921c-b6e97e.

```
switch# show mac-address f0921c-b6e97e detail
```

Status and Counters - Port Address Table			
MAC Address	Port	VLAN	Age (d:h:m:s.ms)
f0921c-b6e97e	L22	1	0000:00:00:30.18

Show mac-address detail for a stacked switch.

```
switch-Stack# show mac-address 009c02-d80f28 detail
Status and Counters - Port Address Table
MAC Address  Port  VLAN Age (d:h:m:s.ms)
-----
009c02-d80f28 1/2  1    0000:00:00:30.18
```

Using the menu to view and search MAC addresses

To determine which switch port on a selected VLAN the switch uses to communicate with a specific device on the network:

Procedure

1. From the Main Menu, select **1. Status and Counters ...**, and then select **5. VLAN Address Table**.
2. Use the arrow keys to scroll to the VLAN you want, and then press **Enter** on the keyboard to select it.

```
----- CONSOLE - MANAGER MODE -----
                Status and Counters - Address Table

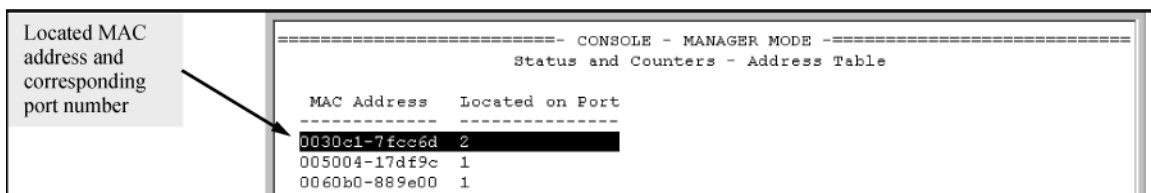
  MAC Address  Located on Port
  -----
0030c1-7f49c0  A3
0030c1-7fec40  A1
0030c1-b29ac0  A3
0060b0-17de5b  A3
0060b0-880a80  A2
0060b0-df1a00  A3
0060b0-df2a00  A3
0060b0-e9a200  A3
009027-e74f90  A3
080009-21ae84  A3
080009-62c411  A3
080009-6563e2  A3

Actions->  Back  Search  Next page  Prev page  Help

Return to previous screen.
Use up/down arrow keys to scroll to other entries, left/right arrow keys to
change action selection, and <Enter> to execute action.
```

The switch then displays the MAC address table for that VLAN (**Figure 70: Example of the address table** on page 387.)

Figure 70: Example of the address table



The screenshot shows the same console output as Figure 70. A callout box on the left, labeled "Located MAC address and corresponding port number", has an arrow pointing to the first entry in the table: "0030c1-7fcc6d 2".

```
----- CONSOLE - MANAGER MODE -----
                Status and Counters - Address Table

  MAC Address  Located on Port
  -----
0030c1-7fcc6d  2
005004-17df9c  1
0060b0-889e00  1
```

3. To page through the listing, use **Next page** and **Prev page**.

Finding the port connection for a specific device on a VLAN

This feature uses a device's MAC address that you enter to identify the port used by that device.

Procedure

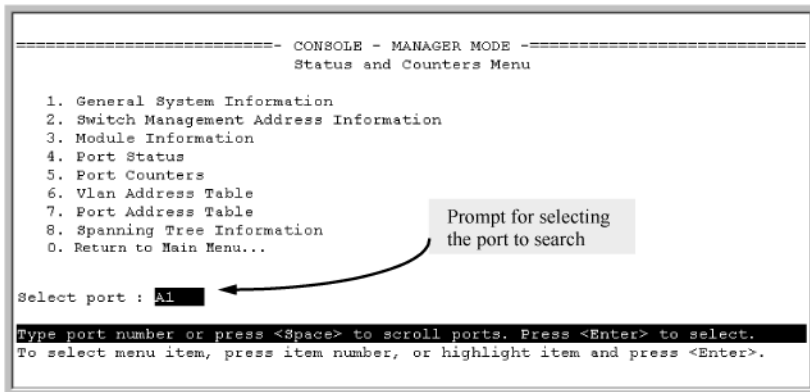
1. Proceeding from the figure above, press **[S]** (for **Search**), to display the following prompt:

```
Enter MAC address: _
```

2. Enter the MAC address you want to locate and press **[Enter]**.

The address and port number are highlighted if found (figure below). If the switch does not find the MAC address on the currently selected VLAN, it leaves the MAC address listing empty.

Figure 71: Example: of menu indicating located MAC address



```
----- CONSOLE - MANAGER MODE -----
                          Status and Counters Menu

1. General System Information
2. Switch Management Address Information
3. Module Information
4. Port Status
5. Port Counters
6. Vlan Address Table
7. Port Address Table
8. Spanning Tree Information
0. Return to Main Menu...

Select port : A1
Type port number or press <Space> to scroll ports. Press <Enter> to select.
To select menu item, press item number, or highlight item and press <Enter>.
```

Prompt for selecting the port to search

3. Press **[P]** (for **Prev page**) to return to the full address table listing.

Viewing and searching port-level MAC addresses

This feature displays and searches for MAC addresses on the specified port instead of for all ports on the switch.

Procedure

1. From the Main Menu, select:

1. Status and Counters ...

7. Port Address Table

2. Use the Space bar to select the port you want to list or search for MAC addresses, then press **[Enter]** to list the MAC addresses detected on that port.

Determining whether a specific device is connected to the selected port

Proceeding from Step 2, above:

Procedure

1. Press **[S]** (for **Search**), to display the following prompt:

```
Enter MAC address: _
```

2. Enter the MAC address you want to locate and press **[Enter]**.

The address is highlighted if found. If the switch does not find the address, it leaves the MAC address listing empty.

3. Press **[P]** (for **Prev page**) to return to the previous per-port listing.

MSTP data

show spanning-tree

Syntax

```
show spanning-tree
```

Description

Displays the global and regional spanning-tree status for the switch, and displays the per-port spanning-tree operation at the regional level.

Values for the following parameters appear only for ports connected to active devices: `Designated Bridge`, `Hello Time`, `PtP`, and `Edge`.

show spanning-tree command output

Figure 72: show spanning-tree command output

```
HP Switch(config)# show spanning-tree

Multiple Spanning Tree (MST) Information
-----
STP Enabled      : Yes
Force Version    : MSTP-operation
IST Mapped VLANs : 1,66

Switch MAC Address : 0004ea-5e2000
Switch Priority    : 32768
Max Age          : 20
Max Hops         : 20
Forward Delay     : 15

Topology Change Count : 0
Time Since Last Change : 2 hours

CST Root MAC Address : 00022d-47367f
CST Root Priority     : 0
CST Root Path Cost   : 4000000
CST Root Port        : A1

IST Regional Root MAC Address : 00883-028300
IST Regional Root Priority     : 32768
IST Regional Root Path Cost   : 200000
IST Remaining Hops            : 19

Protected Ports : A4
Filtered Ports  : A7-A10
```

Switch's Spanning Tree Configuration and Identity of VLANs Configured in the Switch for the IST Instance

Identifies the overall spanning-tree root for the network.

Lists the switch's MSTP root data for connectivity with other regions and STP or RSTP devices.

Identifies the spanning-tree root for the IST Instance for the region.

Internal Spanning Tree Data (IST Instance) for the region in which the Switch Operates

Identifies the ports with BPDU protection and BPDU filtering enabled.

Yes means the switch is operating the port as if it is connected to switch, bridge, or end node (but *not* a hub).

Port	Type	Cost	Priority	State	Designated Bridge	Hello Time	PTP	Edge
A1	100/1000T	Auto	128	Forwarding	000883-028300	9	Yes	No
A2	100/1000T	Auto	128	Blocked	0001e7-948300	9	Yes	No
A3	100/1000T	Auto	128	Forwarding	000883-02a700	2	Yes	No
A4	100/1000T	Auto	128	Disabled				
A5	100/1000T	Auto	128	Disabled				
.				
.				

For **Edge, No** (**admin-edge-port** operation disabled) indicates the port is configured for connecting to a LAN segment that includes a bridge or switch. **Yes** indicates the port is configured for a host (end node) link. Refer to the **admin-edge-port** description under "Configuring MSTP Per-Port Parameters" on page 3-24.

IP IGMP status

show ip igmp

Syntax

```
show ip igmp <VLAN-ID> [config] [group <IP-ADDR>|groups] [statistics]
```

Description

Global command that lists IGMP status for all VLANs configured in the switch, including:

- VLAN ID (VID) and name
- Querier address
- Active group addresses per VLAN
- Number of report and query packets per group
- Querier access port per VLAN

Parameters and options

config

Displays the IGMP configuration information, including VLAN ID, VLAN name, status, forwarding, and Querier information.

vlan-id

Per-VLAN command listing above, IGMP status for specified VLAN (VID).

group <IP-ADDR>

Lists the ports currently participating in the specified group, with port type, Access type, Age Timer data and Leave Timer data.

groups

Displays VLAN-ID, group address, uptime, expiration time, multicast filter type, and the last reporter for IGMP groups.

statistics

Displays IGMP operational information, such as VLAN IDs and names, and filtered and flooding statistics.

Output from show ip igmp config command

```
HP Switch(config)# show ip igmp config

IGMP Service

VLAN ID  VLAN Name      IGMP   Forward with  Querier Querier
-----  -
1         DEFAULT_VLAN  No     No            Yes     125
2         VLAN2         Yes    No            Yes     125
12        New_Vlan      No     No            Yes     125
```

IGMP statistical information

```
switch(vlan-2)# show ip igmp statistics
```

IGMP Service Statistics

```
Total VLANs with IGMP enabled      : 1
Current count of multicast groups joined : 1
```

IGMP Joined Groups Statistics

VLAN ID	VLAN Name	Filtered	Flood
2	VLAN2	2	1

VLAN information

show vlan

Syntax

```
show vlan <VLAN-ID>
```

Description

Lists the maximum number of VLANs to support, existing VLANs, VLAN status (static or dynamic), and primary VLAN.

Parameters and options

<VLAN-ID>

Lists the following for the specified VLAN:

- Name, VID, and status (static/dynamic)
- Per-port mode (tagged, untagged, forbid, no/auto)
- "Unknown VLAN" setting (Learn, Block, Disable)
- Port status (up/down)

List data on specific VLANs

The next three figures show how you can list data for the following VLANs:

Ports	VLAN	VID
A1-A12	DEFAULT_VLAN	1

Table Continued

A1, A2	VLAN-33	33
A3, A4	VLAN-44	44

Figure 73: Listing the VLAN ID (vid) and status for specific ports

```
HP Switch# show vlan ports A1-A2

Status and Counters = VLAN Information - for ports A1,A2

802.1Q VLAN ID Name          Status
-----
1          DEFAULT_VLAN        Static
33         VLAN-33             Static
```

Because ports A1 and A2 are not members of VLAN-44, it does not appear in this listing.

Figure 74: Example of VLAN listing for the entire switch

```
HP Switch# show vlan
Status and Counters - VLAN Information

VLAN support : Yes
Maximum VLANs to support : 9
Primary VLAN: DEFAULT_VLAN

802.1Q VLAN ID Name          Status
-----
1          DEFAULT_VLAN        Static
33         VLAN-33             Static
44         VLAN-44             Static
```

Figure 75: Port listing for an individual VLAN

```
HP Switch(config)# show vlan 1

Status and Counters - VLAN Information - VLAN 1

VLAN ID : 1
Name : DEFAULT_VLAN
Status : Static
Voice : Yes
Jumbo : No

Port Information Mode      Unknown VLAN Status
-----
A1          Untagged Learn          Up
A2          Tagged   Learn          Up
A3          Untagged Learn          Up
A4          Untagged Learn          Down
A5          Untagged Learn          Up
A6          Untagged Learn          Up
A7          Untagged Learn          Up
```

Configuring local mirroring

To configure a local mirroring session in which the mirroring source and destination are on the same switch, follow these general steps:

Procedure

1. Determine the session and local destination port:
 - a. Session number (1-4) and (optional) alphanumeric name
 - b. Exit port (any port on the switch except a monitored interface used to mirror traffic)



Hewlett Packard Enterprise strongly discourages connecting a mirroring exit port to a network because doing so can result in serious network performance problems. Only connect an exit port to a network analyzer, IDS, or other network edge device that has no connection to other network resources.

2. Enter the `mirror session-# [name session-name] port port-#` command to configure the session.
3. Determine the traffic to be selected for mirroring by any of the following methods and the appropriate configuration level (VLAN, port, mesh, trunk, switch):
 - a. Direction: inbound, outbound, or both
 - b. Classifier-based mirroring policy: inbound only for IPv4 or IPv6 traffic
 - c. MAC source and/or destination address: inbound, outbound, or both
4. Enter the `monitor` command to assign one or more source interfaces to the session.

After you complete step 4, the switch begins mirroring traffic to the configured exit port.

The following commands configure mirroring for a local session in which the mirroring source and destination are on the same switch.

- The `mirror` command identifies the destination in a mirroring session.
- The `interface` and `vlan` commands identify the mirroring source, including source interface, traffic direction, and traffic-selection criteria for a specified session.



With no **allow-v2-modules** specified in the configuration of a switch with V3 modules on KB firmware, Egress VLAN ACLs do not filter mirrored traffic. You must use a port ACL to filter mirrored traffic.

Local mirroring sessions

Syntax

```
[no] mirror 1 - 4 port <EXIT-PORT-#> [name <NAME-STR>]
```

Description

Configure local mirroring sessions.

Parameters and options

no

When used with `no mirror session-# port` command, removes the mirroring session and any mirroring source previously assigned to that session by the following commands.

Traffic-direction criteria

interface monitor all

Syntax

Description

```
[no] [interface <PORT> |<TRUNK> |<MESH>] |vlan <VID-#>] monitor all in|out|both  
mirror <SESSION> [session ...] [no-tag-added]
```

Mirror policy for inbound traffic

class [ipv4|ipv6]

Syntax

```
class [ipv4|ipv6] <CLASSNAME> [no] [seq-number] [match|ignore] <IP-PROTOCOL>  
<SOURCE-ADDRESS> <DESTINATION-ADDRESS>] [precedence <PRECEDENCE-VALUE>] [tos <TOS-  
VALUE>] [ip-dscp <CODEPOINTS>] [vlan <VLAN-ID>]
```

Description

Configures the mirroring policy for inbound traffic on the switch.

Parameters and options

policy mirror

Syntax

```
policy mirror <POLICY-NAME> [no] <SEQ-NUMBER> [class [ipv4|ipv6] <CLASSNAME> action  
mirror <SESSION>] [action mirror <SESSION>] [no] default-class action mirror  
<SESSION> [no] [interface <PORT/TRUNK>| vlan <VID-#>] service-policy <MIRROR-  
POLICY-NAME> in
```

Description

The [no] [interface <PORT/TRUNK>| vlan <VID-#>] service-policy <MIRROR-POLICY-NAME> in command removes the mirroring policy from a port, VLAN, trunk, or mesh interface for a specified session, but leaves the session available for other assignments.

Parameters and options

```
mirror <SESSION>
```

Accepts either a number (1 to 4) or a name. To use a name, you must first configure the name <NAME-STR> parameter option for the specified mirroring session using the policy mirror command.

MAC-based criteria to select traffic

monitor mac

Syntax

```
[no] monitor mac <MAC-ADDR> [src|dst|both] mirror session
```

Description

Configures traffic using MAC-based criteria.

Parameters and options

no

Use the `no` form of the complete Command syntax (for example, `no monitor mac 112233-445566 src mirror 3`) to remove a MAC address as mirroring criteria from an active session on the switch without removing the session itself.

mirror

Enter the `monitor mac mirror` command at the global configuration level.

Remote mirroring destination on a remote switch

Syntax

```
mirror endpoint ip <SRC-IP> <SRC-UDP-PORT > <DST-IP> <EXIT-PORT> [truncation]
```

Description

Configures a remote mirroring destination on a remote switch.

Parameters and options

Remote mirroring destination on a local switch

mirror remote ip

Syntax

```
mirror <SESSION> remote ip <SRC-IP> <SRC-UDP-PORT> <DST-IP>
```

Description

Configures a remote mirroring destination on a local switch.

Parameters and options

Local mirroring destination on the local switch

mirror port

Syntax

```
mirror <SESSION> port <EXIT-PORT>
```

Description

Configures a local mirroring destination on a local switch.

Parameters and options

Monitored traffic

interface

Syntax

```
interface <PORT/TRUNK/MESH>
```

Description

Parameters and options

monitor all

Syntax

```
monitor all [in|out|both] mirror <SESSION> [no-tag-added]
monitor ip access-group ACL-NAME in mirror <SESSION>
monitor mac <MAC-ADDR> [src|dest|both] mirror
show monitor [endpoint|<SESSION-NUMBER>|name <SESSION-NAME>
```

service-policy

Syntax

```
service-policy <mirror-policy-name> in
```

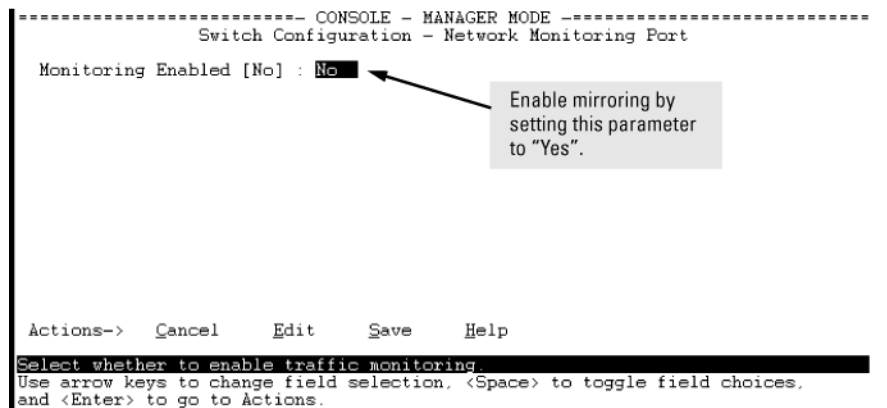
Configuring local mirroring (Menu)

If mirroring has already been enabled on the switch, the Menu screens appear different from the one shown in this section.

Procedure

1. From the Main Menu, select **1. Switch Configuration ...** , and then select **3. Network Monitoring Port**.

Figure 76: The default network mirroring configuration screen



2. In the Actions menu, press **[E]** (for **Edit**.)
3. If mirroring is currently disabled for session 1 (the default), enable it by pressing the Space bar (or **[Y]**) to select **Yes**.

4. Press the down arrow key to display a screen similar to the figure below, and move the cursor to the **Monitoring Port** parameter.

Figure 77: How to select a local exit port

```

----- CONSOLE - MANAGER MODE -----
Switch Configuration - Network Monitoring Port

Monitoring Enabled [No] : Yes
Monitoring Port : 
Monitor : Ports

Port   Type   Action   Port   Type   Action
-----+-----+-----+-----+-----+-----
1      1000T
2      1000T
3      1000T
4      1000T
5      1000T
6      1000T
7      1000T
8      1000T
31     1000T
32     1000T
33     1000T
34     1000T
35     1000T
36     1000T
37     1000T
38     1000T

Actions->  C  ancel    E  dit    S  ave    H  elp

Select the port that will act as the Monitoring Port.
Use arrow keys to change field selection, <Space> to toggle field choices,
and <Enter> to go to Actions.
  
```

5. Use the Space bar to select the port to use for sending mirrored traffic to a locally connected traffic analyzer or IDS.

(The selected interface must be a single port. It cannot be a trunk or mesh.) In this example, port 5 is selected as the local exit port.

6. Highlight the Monitor field and use the Space bar to select the interfaces to mirror:

Ports: Use for mirroring ports, static trunks, or the mesh.

VLAN: Use for mirroring a VLAN.

7. Do one of the following:

- a. If you are mirroring ports, static trunks, or the mesh, go to **8** on page 398

- b. If you are mirroring a VLAN:

- I. Press **[Tab]** or the down arrow key to move to the **VLAN** field.

```

----- CONSOLE - MANAGER MODE -----
Switch Configuration - Network Monit

Monitoring Enabled [No] : Yes
Monitoring Port : 5
Monitor : VLAN
VLAN :

Use the Space bar to
select a VLAN to mirror.
  
```

- II. Use the Space bar to select the **VLAN** you want to mirror.

- III. Go to **10** on page 399.

8. Use the down arrow key to move the cursor to the **Action** column for the individual port interfaces and position the cursor at a port, trunk, or mesh you want to mirror.

```

----- CONSOLE - MANAGER MODE -----
Switch Configuration - Network Monitoring Port

Monitoring Enabled [No] : Yes
Monitoring Port : 5
Monitor : Ports

Port  Type      Action  Port
-----
1    1000T
2    1000T
3    1000T
4    1000T
5    1000T
6    1000T
7    1000T
8    1000T
31   1000T
32   1000T
33   1000T
34   1000T
35   1000T
36   1000T
37   1000T
38   1000T

Actions->  C Cancel  E Edit  S Save  H Help

Select whether to monitor the selected port.
Use arrow keys to change field selection, <Space> to toggle field choices,
and <Enter> to go to Actions.

```

9. Press the Space bar to select **Monitor** for the ports, trunks, mesh, or any combination of these that you want mirrored.
Use the down arrow key to move from one interface to the next in the **Action** column. (If the mesh or any trunks are configured, they appear at the end of the port listing.)
10. When you finish selecting interfaces to mirror, press **[Enter]**, then press **[S]** (for **Save**) to save your changes and exit from the screen.
11. Return to the Main Menu.

You can also use the CLI to configure a mirroring session for a destination device connected to an exit port on either:

- The same switch as the source interface (local mirroring.)
- A different switch (remote mirroring.) The remote switch must be an switch offering the full mirroring capabilities described in this chapter.

After you configure a mirroring session with traffic-selection criteria and a destination, the switch immediately starts to mirror traffic to each destination device connected to an exit port.

In a remote mirroring session that uses IPv4 encapsulation, if the exit switch is not already configured as the destination for the session, its performance may be adversely affected by the stream of mirrored traffic.

For this reason, Switch strongly recommends that you configure the exit switch for a remote mirroring session before configuring the source switch for the same session.

Destination mirror on a remote switch

mirror endpoint

Syntax

```
mirror endpoint ip <SRC-IP-ADDR> <SRC-UDP-PORT> <DST-IP-ADDR> port <EXIT-PORT>
```

Description

Enter this command on a remote switch to configure the exit port to use in a remote mirroring session. Use **Source mirror on the local switch** to configure the mirroring source on the local switch.

The `mirror endpoint ip` command configures:

- The unique UDP port number to be used for the mirroring session on the source switch. The recommended port range is from 7933 to 65535.
- The IP address of the source switch to use in the session.
- The IP address and exit-port number on the remote (endpoint) switch.

In a remote mirroring endpoint, the IP address of exit port and the remote destination switch can belong to different VLANs.

Source mirror on the local switch

mirror remote ip

Syntax

```
[no] mirror 1 - 4 [name <NAME-STR>] remote ip <SRC-IP> <SRC-UDP-PORT> <DST-IP>
[truncation]
```

Description

Configures the mirroring source on the local switch.

Parameters and options

no mirror 1-4

Removes both the mirroring session and any mirroring sources previously assigned to the session by the following commands.

Traffic-direction criteria

Syntax

```
[no] [interface <PORT> <TRUNK> <MESH>|vlan <VID-#>] monitor all in|out|both mirror 1-4|<NAME-STR> [1 - 4|<NAME-STR . . .>]
```

Description

Configures traffic direction criteria for specific traffic

Configure ACL criteria to select inbound

interface monitor ip access-group

Syntax

```
[no] [interface <PORT> <TRUNK> <MESH>|vlan <VID-#>] monitor ip access-group <ACL-NAME> inmirror [1-4|<NAME-STR>] [1 - 4|<NAME-STR . . .>]
```

Configuring a destination switch in a remote mirroring session



When configuring a remote mirroring session, **always** configure the destination switch first. Configuring the source switch first can result in a large volume of mirrored, IPv4-encapsulated traffic arriving at the destination without an exit path, which can slow switch performance.

Syntax

```
mirror endpoint ip src-ip src-udp-port dst-ip exit-port-# no mirror endpoint ip src-ip src-udp-port dst-ip
```

Used on a destination switch to configure the remote endpoint of a mirroring session. The command uniquely associates the mirrored traffic from the desired session on a monitored source with a remote exit port on the destination switch. You must use the same set of source and destination parameters used when you configure the same session on both the source and destination switches.

For a given mirroring session, the same *src-ip* , *src-udp-port* and *dst-ip* values must be entered with the `mirror endpoint ip` command on the destination switch, and later with the `mirror remote ip` command on the source switch.



Do not remove the configuration of a remote mirroring endpoint support for a given session if there are source switches currently configured to mirror traffic to the endpoint.

<i>src-ip</i>	Must exactly match the <i>src-ip</i> address you configure on the source switch for the remote session.
<i>src-udp-port</i>	Must exactly match the <i>src-udp-port</i> value you configure on the source switch for the remote session. The recommended port range is 7933 to 65535. This setting associates the monitored source with the desired remote endpoint in the remote session by using the same, unique UDP port number to identify the session on the source and remote switches.
<i>dst-ip</i>	Must exactly match the <i>dst-ip</i> setting you configure on the source switch for the remote session.
<i>exit-port-#</i>	Exit port for mirrored traffic in the remote session, to which a traffic analyzer or IDS is connected.

The `no` form of the command deletes the mirroring endpoint for the configured session on the remote destination switch.

Configuring a source switch in a local mirroring session

Enter the `mirror port` command on the source switch to configure an exit port on the same switch. To create the mirroring session, use the information gathered in [High-level overview of the mirror configuration process](#) on page 425.

Syntax

```
mirror 1 - 4 port exit-port-# [name name-str] no mirror 1 - 4
```

Assigns the exit port to use for the specified mirroring session and must be executed from the global configuration level.

1 - 4	Identifies the mirroring session created by this command. (Multiple sessions on the switch can use the same exit port.)
<i>name name-str</i>	Optional alphanumeric name string used to identify the session (up to 15 characters)
<i>port exit-port-#</i>	Exit port for mirrored traffic in the remote session. This is the port to which a traffic analyzer or IDS is connected.

The `no` form of the command removes the mirroring session and any mirroring source previously assigned to that session.

Configuring a source switch in a remote mirroring session

Syntax

```
[no] mirror 1 - 4 [name name-str] remote ip src-ip src-udp-port dst-ip [truncation]
```

Used on the source switch to uniquely associate the mirrored traffic in the specified session with a remote destination switch. You must configure the same source and destination parameters when you configure the same session on both the source and destination switches. (If multiple remote sessions use the same source and destination IP addresses, each session must use a unique UDP port value.)

When you execute this command, the following message is displayed:

```
Caution: Please configure destination switch first.  
Do you want to continue [y/n]?
```

- If you have not yet configured the session on the remote destination switch, follow the configuration procedure in [Configure a mirroring destination on a remote switch](#) on page 426 before using this command.
- If you have already configured the session on the remote destination switch, enter **y** (for "yes") to complete this command.


1 - 4	Identifies the mirroring session created by this command.
name <i>name-str</i>	Optional alphanumeric name string used as an additional session identifier (up to 15 characters.)
<i>src-ip</i>	The IP address of the VLAN or subnet on which the traffic to be mirrored enters or leaves the switch.
<i>src-udp-port</i>	Associates the remote session with a UDP port number. When multiple sessions have the same source IP address <i>src-ip</i> and destination IP address <i>dst-ip</i> , the UDP port number must be unique in each session. The UDP port number used for a given session should be in the range of 7933 to 65535.
	 UDP port numbers below 7933 are reserved for various IP applications. Using them for mirroring can result in the interruption of other IP functions and in non-mirrored traffic being received on the destination switch and sent to a device connected to the remote exit port.
	The configured UDP port number is included in the frames mirrored from the source switch to the remote destination switch (<code>mirror endpoint</code>), and enables the remote switch to match the frames to the exit port configured for the combined UDP port number, source IP address, and destination IP address..

Table Continued

<code>dst-ip</code>	For the remote session specified in the command, this is the IP address of the VLAN or subnet on which the remote exit port exists. (The exit port to which a traffic analyzer or IDS is connected is configured on the remote switch in section.) .)
<code>[truncation]</code>	Enables truncation of oversize frames, causing the part of the frame in excess of the MTU size to be truncated. Unless truncation is enabled, oversize frames are dropped. The frame size is truncated to a multiple of 18 bytes—for example, if the MTU is 1000 bytes, the frame is truncated to 990 bytes (55 * 18 bytes.)

The `no` form of the command removes the mirroring session and any mirroring source previously assigned to the session. To preserve the session while deleting a monitored source assigned to it.

Selecting all traffic on a port interface for mirroring according to traffic direction

Syntax

```
[no] interface port/trunk/mesh monitor [in | out | both] [mirror 1 - 4 | name-str]
[{1 - 4 | name-str} | {1 - 4 | name-str} | {1 - 4 | name-str}] [no-tag-added]
```

Assigns a mirroring source to a previously configured mirroring session on a source switch by specifying the port, trunk, and/or mesh sources to use, the direction of traffic to mirror, and the session.

<code>interface <i>port/trunk/mesh</i></code>	<p>Identifies the source ports, static trunks, and/or mesh on which to mirror traffic.</p> <p>Use a hyphen for a range of consecutive ports or trunks (a5-a8, Trk2-Trk4.)</p> <p>Use a comma to separate non-contiguous interfaces (b11, b14, Trk4, Trk7.)</p>
<code>monitor all [<i>in out both</i>]</code>	<p>For the interface specified by <i>port/trunk/mesh</i> , selects traffic to mirror based on whether the traffic is entering or leaving the switch on the interface:</p> <ul style="list-style-type: none"> • <code>in</code>: Mirrors entering traffic. • <code>out</code>: Mirrors exiting traffic. • <code>both</code>: Mirrors traffic entering and exiting. <p>If you enter the <code>monitor all</code> command without selection criteria or a session identifier, the command applies by default to session 1</p>

Table Continued

```
mirror [1 - 4 | name-str]
```

Assigns the traffic specified by the interface and direction to a session by number or—if configured—by name. The session must have been previously configured.

Depending on how many sessions are already configured on the switch, you can use the same command to assign the specified source to up to four sessions, for example, `interface a1 monitor all in mirror 1 2 4`.

- `1 - 4`: Configures the selected port traffic to be mirrored in the specified session number.
- `[name name-str]`: Optional; configures the selected port traffic to be mirrored in the specified session name. The string can be used interchangeably with the session number when using this command to assign a mirroring source to a session.

```
[no-tag-added]
```

Prevents a VLAN tag from being added to the mirrored copy of an outbound packet sent to a local or remote mirroring destination.

The `no` form of the command removes a mirroring source assigned to the session, but does not remove the session itself. This enables you to repurpose a session by removing an unwanted mirroring source and adding another in its place.

Selecting all traffic on a VLAN interface for mirroring according to traffic direction

Syntax

```
vlan vid-# monitor all [in | out | both] [mirror 1 - 4 | name-str] [{1 - 4 | name-str} | {1 - 4 | name-str} | {1 - 4 | name-str}]
```

This command assigns a monitored VLAN source to a previously configured mirroring session on a source switch by specifying the VLAN ID, the direction of traffic to mirror, and the session.

<code>vlan vid-#</code>	Identifies the VLAN on which to mirror traffic.
<code>monitor all [in out both]</code>	Uses the direction of traffic on the specified <code>vid-#</code> to select traffic to mirror. If you enter the <code>monitor all</code> command without selection criteria or a session identifier, the command applies by default to session 1.
<code>mirror [1 - 4 name-str]</code>	<p>Assigns the VLAN traffic defined by the VLAN ID and traffic direction to a session number or name.</p> <p>Depending on how many sessions are already configured on the switch, you can use the same command to assign the specified VLAN source to up to four sessions, for example, <code>interface a1 monitor all in mirror 1 2 4</code>.</p> <ul style="list-style-type: none"> • <code>1 - 4</code>: Configures the selected VLAN traffic to be mirrored in the specified session number. • <code>[name name-str]</code>: Optional; configures the selected port traffic to be mirrored in the specified session name. The string can be used interchangeably with the session number when using this command to assign a mirroring source to a session. To configure an alphanumeric name for a mirroring session, see the command description under Configuring a source switch in a remote mirroring session on page 402.

Assigning a VLAN to a mirroring session precludes assigning any other mirroring sources to the same session. If a VLAN is already assigned to a given mirroring session, using this command to assign another VLAN to the same mirroring session results in the second assignment replacing the first. Also, if there are other (port, trunk, or mesh) mirroring sources already assigned to a session, the switch displays a message similar to:

```
Mirror source port exists on session N. Can not add mirror
source VLAN.
```

The `no` form of the command removes a mirroring source assigned to the session, but does not remove the session itself. This allows you to repurpose a session by removing an unwanted mirroring source and adding another in its place.

Configuring a MAC address to filter mirrored traffic on an interface

Enter the `monitor mac mirror` command at the global configuration level.

Syntax

```
[no] monitor mac mac-addr [src | dest | both] {mirror 1 - 4 | name-str} [1 - 4 | name-str] [1 - 4 | name-str] [1 - 4 | name-str]
```

Use this command to configure a source and/or destination MAC address as criteria for selecting traffic in one or more mirroring sessions on the switch. The MAC address you enter is configured to mirror inbound (`src`), outbound (`dest`), or both inbound and outbound (`both`) traffic on any port or learned VLAN on the switch.

```
monitor mac mac-addr
```

Configures the MAC address as selection criteria for mirroring traffic on any port or learned VLAN on the switch.

```
{src | dest | both}
```

Specifies how the MAC address is used to filter and mirror packets in inbound and/or outbound traffic on the interfaces on which the mirroring session is applied:

- `src`: Mirrors all packets in inbound traffic that contain the specified MAC address as source address.
- `dest`: Mirrors all packets in outbound traffic that contain the specified MAC address as destination address.



The MAC address of the switch is not supported as either the source or destination MAC address used to select mirrored traffic.

```
mirror [1 - 4 | name-str]
```

Assigns the inbound and/or outbound traffic filtered by the specified MAC address to a previously configured mirroring session. The session is identified by a number or (if configured) a name.

Depending on how many sessions are configured on the switch, you can use the same command to configure a MAC address as mirroring criteria in up to four sessions. To identify a session, you can enter either its name or number; for example: `mirror 1 2 3 traffsrc4`

`1 - 4`: Specifies a mirroring session by number, for which the configured MAC address is used to select and mirror inbound and/or outbound traffic.

Packets that are sent or received on an interface configured with a mirroring session and that contain the MAC address as source and/or destination address are mirrored to a previously configured destination device.

To remove a MAC address as selection criteria in a mirroring session, you must enter the complete Command syntax, for example, `no monitor mac 998877-665544 dest mirror 4`.

The `no` form of the command removes the MAC address as a mirroring criteria from an active session, but does not remove the session itself. This enables you to repurpose a session by removing an unwanted mirroring criteria and adding another in its place.

Configuring classifier-based mirroring

For more information and a list of general steps for the process beginning with this command, see the information about restrictions on classifier-based mirroring.

Context: Global configuration

Syntax

```
[no] class [ipv4 | ipv6 classname]
```

Defines the name of a traffic class and specifies whether a policy is to be applied to IPv4 or IPv6 packets, where *classname* is a text string (64 characters maximum.)

After you enter the `class` command, you enter the class configuration context to specify match criteria. A traffic class contains a series of `match` and `ignore` commands, which specify the criteria used to classify packets.

To configure a default traffic class, use the `default-class` command as described below. A default class manages the packets that do not match the `match/ignore` criteria in any other classes in a policy.

Context: Class configuration

Syntax

```
[no] seq-number  
[match | ignore ip-protocol source-address destination-address] [ip-dscp  
codepoint] [precedence precedence-value] [tos tos-value] [vlan vlan-id]
```

For detailed information about how to enter `match` and `ignore` commands to configure a traffic class, the *Advanced Traffic Management Guide*.

Context: Global configuration

Syntax

```
[no] policy mirror policy-name
```

Defines the name of a mirroring policy and enters the policy configuration context.

A traffic policy consists of one or more classes and one or more mirroring actions configured for each class of traffic. The configured actions are executed on packets that match a `match` statement in a class. No policy action is performed on packets that match an `ignore` statement.

Context: Policy configuration

Syntax

```
[no] seq-number  
class [ipv4 | ipv6 classname] action mirror session
```

Defines the mirroring action to be applied on a pre-configured IPv4 or IPv6 traffic class when a packet matches the `match` criteria in the traffic class. You can enter multiple `class action mirror` statements in a policy.

<code>[seq-number]</code>	The (optional) <code>seq-number</code> parameter sequentially orders the mirroring actions that you enter in a policy configuration. Actions are executed on matching packets in numerical order. Default: Mirroring action statements are numbered in increments of 10, starting at 10.
<code>class [ipv4 ipv6 classname]</code>	Defines the preconfigured traffic class on which the mirroring actions in the policy are executed and specifies whether the mirroring policy is applied to IPv4 or IPv6 traffic in the class. The classname is a text string (64 characters maximum.)
<code>action mirror session</code>	Configures mirroring for the destination and session specified by the <code>session</code> parameter.

Context: Policy configuration

Syntax

```
[no] default-class action mirror session [action mirror session ...]
```

Configures a default class that allows packets that are not matched nor ignored by any of the class configurations in a mirroring policy to be mirrored to the destination configured for the specified session.

Applying a mirroring policy on a port or VLAN interface

Enter one of the following `service-policy` commands from the global configuration context.

Context: Global configuration

Syntax

```
interface <PORT-LIST> service-policy policy-name in
```

Configures the specified ports with a mirroring policy that is applied to inbound traffic on each interface.

Separate individual port numbers in a series with a comma, for example, `a1,b4,d3`. Enter a range of ports by using a dash, for example, `a1-a5`.

The mirroring policy name you enter must be the same as the policy name you configured with the `policy mirror` command.

Syntax

```
vlan vlan-id service-policy policy-name in
```

Configures a mirroring policy on the specified VLAN that is applied to inbound traffic on the VLAN interface.

Valid VLAN ID numbers range from 1 to 4094.

The mirroring policy name you enter must be the same as the policy name you configured with the `policy mirror` command in the syntax **`policy mirror`**.

Viewing a classifier-based mirroring configuration

To display information about a classifier-based mirroring configuration or statistics on one or more mirroring policies, enter one of the following commands:

Syntax

```
show class [ipv4 class-name | ipv6 class-name | config]
```

Syntax

```
show policy [policy-name | config]
```

Syntax

```
show policy resources
```

Syntax

```
show statistics policy [policy-name] [interface port-num | vlan vid in]
```


Viewing all mirroring sessions configured on the switch

Syntax

```
show monitor
```

If a monitored source for a remote session is configured on the switch, the following information is displayed. Otherwise, the output displays: Mirroring is currently disabled.

Sessions	Lists the four configurable sessions on the switch.
Status	Displays the current status of each session: <ul style="list-style-type: none">• active: The session is configured.• inactive: Only the destination has been configured; the mirroring source is not configured.• not defined: Mirroring is not configured for this session.
Type	Indicates whether the mirroring session is local (<code>port</code>), remote (<code>IPv4</code>), or MAC-based (<code>mac</code>) for local or remote sessions.
Sources	Indicates how many monitored source interfaces are configured for each mirroring session.
Policy	Indicates whether the source is using a classifier-based mirroring policy to select inbound IPv4 or IPv6 traffic for mirroring.

If a remote mirroring endpoint is configured on the switch, the following information is displayed. Otherwise, the output displays: There are no Remote Mirroring endpoints currently assigned.

Type	Indicates whether the mirroring session is local (<code>port</code>), remote (<code>IPv4</code>), or MAC-based (<code>mac</code>) for local or remote sessions.
UDP Source Addr	The IP address configured for the source VLAN or subnet on which the monitored source interface exists. In the configuration of a remote session, the same UDP source address must be configured on the source and destination switches.
UDP port	The unique UDP port number that identifies a remote session. In the configuration of a remote session, the same UDP port number must be configured on the source and destination switches.

Table Continued

UDP Dest Addr	The IP address configured for the destination VLAN or subnet on which the remote exit port exists. In the configuration of a remote session, the same UDP destination address must be configured on the source and destination switches.
Dest Port	Identifies the exit port for a remote session on a remote destination switch.

Figure 78: *Displaying the currently configured mirroring sessions on the switch*

```

HP Switch# show monitor
Network Monitoring
  Sessions  Status      Type      Sources  Policy
  -----  -
  1         active      port      1        yes
  2         active      mac       2        no
  3         not defined
  4         inactive   IPv4      0        no

Remote Mirroring - Remote Endpoints
Type  UDP Source Addr  UDP port  UDP Dest Addr
-----
IPv4  10.10.30.1       7950      10.10.20.1

```

Local and Remote Mirroring Sources:

- **Session 1** is performing local mirroring using a classifier-based policy as traffic-selection criteria.
- **Session 2** is performing remote mirroring using MAC-based traffic-selection criteria.
- **Session 3** is not configured.
- **Session 4** is configured for remote mirroring from a non-policy source (for example, traffic direction), but is currently not mirroring any traffic.

Remote Mirroring Destination:

The switch is configured as a remote mirroring destination (endpoint) for a source at 10.10.30.1, using port B10 as the exit port.

Viewing the remote endpoints configured on the switch

Syntax

```
show monitor endpoint
```

Displays the remote mirroring endpoints configured on the switch. Information on local sessions configured on the switch is not displayed. (To view the configuration of a local session, use the `show monitor [1-4 | name <name-str>]` command)

Type	Indicates whether the session is a <code>port</code> (local) or <code>IPv4</code> (remote) mirroring session.
show monitor endpoint	The IP address configured for the source VLAN or subnet on which the monitored source interface exists. In the configuration of a remote session, the same UDP source address must be configured on the source and destination switches.
UDP port	The unique UDP port number that identifies a remote session. In the configuration of a remote session, the same UDP port number must be configured on the source and destination switches.
UDP Dest Addr	The IP address configured for the destination VLAN or subnet on which the remote exit port exists. In the configuration of a remote session, the same UDP destination address must be configured on the source and destination switches.
Dest Port	ifies the exit port for a remote session on a remote destination switch.

Example

In the following figure, the `show monitor endpoint` output shows that the switch is configured as the remote endpoint (destination) for two remote sessions from the same monitored source interface.


Figure 79: *Displaying the configuration of remote mirroring endpoints on the switch*

```

HP Switch(config)# show monitor endpoint
Remote Mirroring - Remote Endpoints

```

Type	UDP Source Addr	UDP port	UDP Dest Addr	Dest Port
IPv4	10.10.10.1	8001	10.10.30.2	4
IPv4	10.10.10.1	8003	10.10.30.2	5


These two sessions monitor traffic from the same source switch, but use different UDP port numbers.

Viewing the mirroring configuration for a specific session

Syntax

```
show monitor [1 - 4 | name name-str]
```

Displays detailed configuration information for a specified local or remote mirroring session on a source switch.

Session	Displays the number of the specified session.
Session Name	Displays the name of the session, if configured.
Policy	Indicates whether the source is using a classifier-based mirroring policy to select inbound IPv4 or IPv6 traffic for mirroring.
Mirroring Destination	For a local mirroring session, displays the port configured as the exit port on the source switch. For a remote mirroring session, displays <code>IPv4</code> , which indicates mirroring to a remote (endpoint) switch.
UDP Source Addr	The IP address configured for the source VLAN or subnet on which the monitored source interface exists. In the configuration of a remote session, the same UDP source address must be configured on the source and destination switches.
UDP port	The unique UDP port number that identifies a remote session. In the configuration of a remote session, the same UDP port number must be configured on the source and destination switches.
UDP Dest Addr	The IP address configured for the destination VLAN or subnet on which the remote exit port exists. In the configuration of a remote session, the same UDP destination address must be configured on the source and destination switches.
Status	For a remote session, displays current session activity: <ul style="list-style-type: none"> • active: The session is configured and is mirroring traffic. A remote path has been discovered to the destination. • inactive: The session is configured, but is not currently mirroring traffic. A remote path has not been discovered to the destination. • not defined: Mirroring is not configured for this session.

Table Continued

Monitoring Sources	For the specified local or remote session, displays the source (port, trunk, or VLAN) interface and the MAC address (if configured) used to select mirrored traffic.
Direction	For the selected interface, indicates whether mirrored traffic is entering the switch (<i>in</i>), leaving the switch (<i>out</i>), or <i>both</i> .

Viewing a remote mirroring session

After you configure session 2 for remote mirroring (**Figure 80: Configuring a remote mirroring session and monitored source** on page 412), you can enter the `show monitor 2` command to verify the configuration (**Figure 81: Displaying the Configuration of a Remote Mirroring Session** on page 412.)

Figure 80: Configuring a remote mirroring session and monitored source

```
HP Switch(config)# mirror 2 name test-10 remote ip 10.10.10.1 8010 10.10.30.2
Caution: Please configure destination switch first.
Do you want to continue [y/n]? y
HP Switch(config)# interface b1 monitor all both mirror 2
```

Figure 81: Displaying the Configuration of a Remote Mirroring Session

```
HP Switch(config)# show monitor 2
Network Monitoring

Session: 2      Session Name: test-10
Policy: no policy relationship exists

Mirror Destination: IPv4
UDP Source Addr  UDP port  UDP Dest Addr  Status
-----
10.10.10.1      8010     10.10.30.2    active

Monitoring Sources  Direction
-----
Port: B1            Both
```

If no monitored (source) interface is configured for a mirroring session, no information is displayed in the Monitoring Sources and Direction columns.

Viewing a MAC-based mirroring session

After you configure a MAC-based mirroring session ([Figure 82: Configuring a MAC-based mirroring session](#) on page 413), you can enter the `show monitor 3` command to verify the configuration ([Figure 83: Displaying a MAC-based mirroring session](#) on page 413.)

Figure 82: *Configuring a MAC-based mirroring session*

```
HP Switch(config)# mirror 3 port a1
HP Switch# monitor mac 112233-445566 src mirror 3
```

Figure 83: *Displaying a MAC-based mirroring session*

```
HP Switch(config)# show monitor 3
Network Monitoring

Session: 3      Session Name:
Policy: no policy relationship exists

Mirror Destination:  A1      (Port)

Monitoring Sources  Direction
-----
MAC:  112233-445566 Source ←
```

The MAC address used to select packets in a local mirroring session is displayed in these columns.

Viewing a local mirroring session

When used to display the configuration of a local session, the `show monitor` command displays a subset of the information displayed for a remote mirroring session.

Example

Figure 84: Displaying the configuration of a local mirroring session on page 413 displays a local mirroring configuration for a session configured as follows:

- Session number: 1
- Session name: Detail
- Classifier-based mirroring policy, "MirrorAdminTraffic", is used to select inbound traffic on port B1.
- Mirrored traffic is sent to exit port B3.

Figure 84: *Displaying the configuration of a local mirroring session*

```
HP Switch(config)# show monitor 1
Network Monitoring

Session: 1      Session Name: Detail
Policy: MirrorAdminTraffic

Mirror Destination:  B3      (Port)

Monitoring Sources  Direction
-----
Port: B1            In
```

Viewing information on a classifier-based mirroring session

In the following example, a classifier-based mirroring policy (`mirrorAdminTraffic`) mirrors selected inbound IPv4 packets on VLAN 5 to the destination device configured for mirroring session 3.

Figure 85: Configuring a classifier-based mirroring policy in a local mirroring session

```
HP Switch(config)# mirror 3 port cl
Caution: Please configure destination switch first.
Do you want to continue [y/n]? y
HP Switch(config)# class ipv4 AdminTraffic
HP Switch(config-class)# match ip 15.29.61.1 0.63.255.255 0.0.0.0
255.255.255.255
HP Switch(config-class)# match ip 0.0.0.0 255.255.255.255 15.29.61.1
0.63.255.255
HP Switch(config-class)# exit
HP Switch(config)# policy mirror MirrorAdminTraffic
HP Switch(config-policy)# class ipv4 AdminTraffic action mirror 3
HP Switch(config-policy)# exit
HP Switch(config)# vlan 5 service-policy MirrorAdminTraffic in
```

Displaying a classifier-based policy in a local mirroring session

```
switch(config)# show monitor 3
```

Network Monitoring

```
Session: 3    Session Name:
Policy: MirrorAdminTraffic
```

```
Mirror Destination:  C1    (Port)
```

```
Monitoring Sources  Direction
-----
VLAN: 5             Source
```

Viewing information about a classifier-based mirroring configuration

Syntax

```
show class ipv4 classname
show class ipv6 classname
show class config
```

<code>ipv4 <i>classname</i></code>	Lists the statements that make up the IPv4 class identified by <i>classname</i> .
<code>ipv6 <i>classname</i></code>	Lists the statements that make up the IPv6 class identified by <i>classname</i> .
<code>config</code>	Displays all classes, both IPv4 and IPv6, and lists the statements that make up each class.

Additional variants of the `show class ...` command provide information on classes that are members of policies that have been applied to ports or VLANs.

Figure 86: *show class output for a mirroring policy*

```
HP Switch(config)# show class ipv4 AdminTraffic
Statements for Class ipv4 "AdminTraffic"
 10 match ip 15.29.16.1 0.63.255.255 0.0.0.0 255.255.255.255
 20 match ip 0.0.0.0 255.255.255.255 15.29.16.1 0.63.255.255
```

Viewing information about a classifier-based mirroring configuration

Syntax

```
show policy policy-name
show policy config
```

<code>policy-name</code>	Lists the statements that make up the specified policy.
<code>config</code>	Displays the names of all policies defined for the switch and lists the statements that make up each policy.

Additional variants of the `show policy` command provide information on policies that have been applied to ports or VLANs.

Figure 87: *show policy output for a mirroring policy*

```
HP Switch(config)# show policy MirrorAdminTraffic
Statements for Policy "MirrorAdminTraffic"
 10 class ipv4 "AdminTraffic" action mirror 3
```

Viewing resource usage for mirroring policies

Syntax

```
show policy resources
```

Displays the number of hardware resources (rules, meters, and application port ranges) used by classifier-based mirroring policies (local and remote) that are currently applied to interfaces on the switch, as well as QoS policies and other software features.



The information displayed is the same as the output of the `show qos resources` and `show access-list resources` commands.

Figure 88: *Displaying the hardware resources used by currently configured mirroring policies*

```

HP Switch# show policy resources
Resource usage in Policy Enforcement Engine
| Rules | Rules Used
Ports | Available | ACL | QoS | IDM | VT | Mirror | Other |
-----+-----+-----+-----+-----+-----+-----+-----+
1-24 | 3014 | 15 | 11 | 0 | 1 | 0 | 3 |
25-48 | 3005 | 15 | 10 | 10 | 1 | 0 | 3 |
A | 3017 | 15 | 8 | 0 | 1 | 0 | 3 |

| Meters | Meters Used
Ports | Available | ACL | QoS | IDM | VT | Mirror | Other |
-----+-----+-----+-----+-----+-----+-----+-----+
1-24 | 250 | | 5 | 0 | | | 0 |
25-48 | 251 | | 4 | 0 | | | 0 |
A | 253 | | 2 | 0 | | | 0 |

| Application |
| Port Ranges | Application Port Ranges Used
Ports | Available | ACL | QoS | IDM | VT | Mirror | Other |
-----+-----+-----+-----+-----+-----+-----+-----+
1-24 | 3014 | 2 | 0 | 0 | | | 0 | 0 |
25-48 | 3005 | 2 | 0 | 0 | | | 0 | 0 |
A | 3017 | 2 | 0 | 0 | | | 0 | 0 |

0 of 8 Policy Engine management resources used.
Key:
ACL = Access Control Lists
QoS = Device & Application Port Priority, QoS Policies, ICMP rate limits
IDM = Identity Driven Management
VT = Virus Throttling blocks
Mirror = Mirror Policies, Remote Intelligent Mirror endpoints
Other = Management VLAN, DHCP Snooping, ARP Protection, Jumbo IP-MTU.

Resource usage includes resources actually in use, or reserved for future
use by the listed feature. Internal dedicated-purpose resources, such as
port bandwidth limits or VLAN QoS priority, are not included.

```

Includes the hardware resources used by classifier-based local and remote mirroring policies that are currently applied to interfaces on the switch.



Viewing the mirroring configurations in the running configuration file

Use the `show run` command to view the current mirroring configurations on the switch. In the `show run` command output, information about mirroring sources in configured sessions begins with the `mirror` keyword; monitored source interfaces are listed per-interface.

Example

Figure 89: Displaying mirroring sources and sessions in the running configurations

```
HP Switch(config)# show run
Running configuration:
; J8697A Configuration Editor; Created on release #K.12.XX
max-vlans 300
ip access-list extended "100"
 10 permit icmp 0.0.0.0 255.255.255.255 0.0.0.0 255.255.255.255 0
  exit
 no ip address
  exit
. . .
mirror 1 port B3
mirror 2 name "test-10" remote ip 10.10.10.1 8010 10.10.30.2
. . .
interface B1
 monitor ip access-group "100" In mirror 1
 monitor all Both mirror 2
  exit
. . .
```

Information about remote endpoints configured for remote sessions on the switch begin with the `mirror endpoint` keywords. In the following example, two remote sessions use the same exit port:

Figure 90: Displaying remote mirroring endpoints in the running configuration

```
HP Switch(config)# show run
Running configuration:
; J8693A Configuration Editor; Created on release #K.12.XX
module 3 type J8694A
. . .
mirror endpoint ip 10.10.20.1 8010 10.10.30.2 port 4
mirror endpoint ip 10.10.51.10 7955 10.10.30.2 port 4
. . .
```

Compatibility mode

The following table shows how the v2 zl and zl modules behave in various combinations and situations when Compatibility mode is enabled and when it is disabled.

Table 23: Compatibility mode enabled/disabled comparisons

Modules	Compatibility mode enabled	Compatibility mode disabled
v2 zl modules only	Can insert zl module and the module will come up. Any v2 zl modules are limited to the zl configuration capacities.	v2 zl modules are at full capacity. zl modules are not allowed to power up.
Mixed v2 zl and zl modules	Can insert zl module and the module will come up. Any v2 zl modules are limited to the zl configuration capacities. If compatibility mode is disabled, the zl modules go down.	ZL modules are not allowed to power up.

Table Continued

Modules	Compatibility mode enabled	Compatibility mode disabled
zl modules only	<p>Same as exists already. If a v2 zl module is inserted, it operates in the same mode as the zl module, but with performance increases.</p> <p>In Compatibility Mode, no v2 zl features are allowed, whether the modules are all v2 zl or not.</p>	<p>The Management Module is the only module that powers up.</p> <p>If Compatibility Mode is disabled and then enabled, the startup config is erased and the chassis reboots.</p>

Traffic mirroring overview

Traffic mirroring (Intelligent Mirroring) allows you to mirror (send a copy of) network traffic received or transmitted on a switch interface to a local or remote destination, such as a traffic analyzer or IDS.)

Traffic mirroring provides the following benefits:

- Allows you to monitor the traffic flow on specific source interfaces.
- Helps in analyzing and debugging problems in network operation resulting from a misbehaving network or an individual client. The mirroring of selected traffic to an external device makes it easier to diagnose a network problem from a centralized location in a topology spread across a campus.
- Supports remote mirroring to simultaneously mirror switch traffic on one or more interfaces to multiple remote destinations. (In remote mirroring, you must first configure the remote mirroring endpoint—remote switch and exit port—before you specify a mirroring source for a session.)

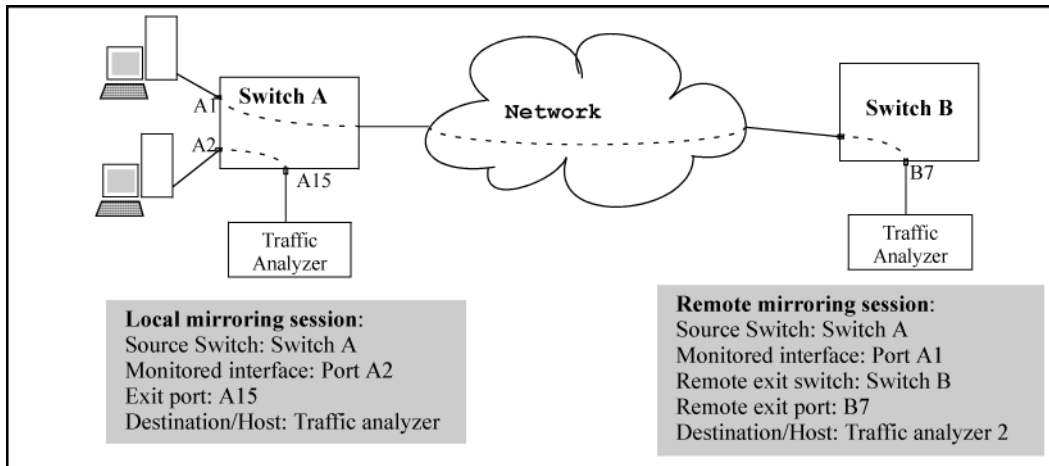
Mirroring overview

Figure 91: Local and remote sessions showing mirroring terms on page 419 shows an example of the terms used to describe the configuration of a sample local and remote mirroring session:

- In the local session, inbound traffic entering Switch A is monitored on port A2 and mirrored to a destination (host), traffic analyzer 1, through exit port A15 on the switch. A local mirroring session means that the monitored interface (A2) and exit port (A15) are on the same switch.
- In the remote session, inbound traffic entering Switch A is monitored on port A1. A mirrored copy of monitored traffic is routed through the network to a remote mirroring endpoint: exit port B7 on Switch B. A destination device, traffic analyzer 2, is connected to the remote exit port. A remote mirroring session means that:

- The monitored interface (A1) and exit port (B7) are on different switches.
- Mirrored traffic can be bridged or routed from a source switch to a remote switch.

Figure 91: Local and remote sessions showing mirroring terms



Mirroring destinations

Traffic mirroring supports destination devices that are connected to the local switch or to a remote switch:

- Traffic can be copied to a destination (host) device connected to the same switch as the mirroring source in a local mirroring session. You can configure up to four exit ports to which destination devices are connected.
- Traffic can be bridged or routed to a destination device connected to a different switch in a remote mirroring session. You can configure up to 32 remote mirroring endpoints (IP address and exit port) to which destination devices are connected.

Mirroring sources and sessions

Traffic mirroring supports the configuration of port and VLAN interfaces as mirroring sources in up to **four** mirroring sessions on a switch. Each session can have one or more sources (ports and/or static trunks, a mesh, or a VLAN interface) that monitor traffic entering and/or leaving the switch.



Using the CLI, you can make full use of the switch's local and remote mirroring capabilities. Using the Menu interface, you can configure only local mirroring for either a single VLAN or a group of ports, static trunks, or both.

In remote mirroring, a 54-byte remote mirroring tunnel header is added to the front of each mirrored frame for transport from the source switch to the destination switch. This may cause some frames that were close to the MTU size to exceed the MTU size. Mirrored frames exceeding the allowed MTU size are dropped, unless the optional `[truncation]` parameter is set in the `mirror` command.

Mirroring sessions

A mirroring session consists of a mirroring source and destination (endpoint.) Although a mirroring source can be one of several interfaces, as mentioned above, for any session, the destination must be a single (exit) port. The exit port cannot be a trunk, VLAN, or mesh interface.

You can map multiple mirroring sessions to the same exit port, which provides flexibility in distributing hosts, such as traffic analyzers or an IDS. In a remote mirroring endpoint, the IP address of the exit port and the remote destination switch can belong to different VLANs.

Mirroring sessions can have the same or a different destination. You can configure an exit port on the local (source) switch and/or on a remote switch as the destination in a mirroring session. When configuring a mirroring destination, consider the following options:

- Mirrored traffic belonging to different sessions can be directed to the same destination or to different destinations.
- You can reduce the risk of oversubscribing a single exit port by:
 - Directing traffic from different session sources to multiple exit ports.
 - Configuring an exit port with a higher bandwidth than the monitored source port.
- You can segregate traffic by type, direction, or source.

Mirroring session limits

A switch running software release K.12.xx or greater supports the following:

- A maximum of four mirroring (local and remote) sessions.
- A maximum of 32 remote mirroring endpoints (exit ports connected to a destination device that receive mirrored traffic originating from monitored interfaces on a different switch.)

Selecting mirrored traffic

You can use any of the following options to select the traffic to be mirrored on a port, trunk, mesh, or VLAN interface in a local or remote session:

- All traffic
Monitors all traffic entering or leaving the switch on one or more interfaces (inbound and outbound.)
- Direction-based traffic selection
Monitors traffic that is either entering or leaving the switch (inbound or outbound.) Monitoring traffic in only one direction improves operation by reducing the amount of traffic sent to a mirroring destination.
- MAC-based traffic selection
Monitors only traffic with a matching source and/or destination MAC address in packet headers entering and/or leaving the switch on one or more interfaces (inbound and/or outbound.)
- Classifier-based service policy
Provides a finer granularity of match criteria to zoom in on a subset of a monitored port or VLAN traffic (IPv4 or IPv6) and select it for local or remote mirroring (inbound only.)

Deprecation of ACL-based traffic selection

The use of ACLs for selecting traffic in a mirroring session has been deprecated and is replaced by the use of advanced classifier-based service policies.

As with ACL criteria, classifier-based match/ignore criteria allow you to limit a mirroring session to selected inbound packets on a given port or VLAN interface (instead of mirroring all inbound traffic on the interface.)

The following commands have been deprecated:

- `interface port/trunk/mesh monitor ip access-group acl-name in mirror [1 - 4 | name-str]`
- `vlan vid-# monitor ip access-group acl-name in mirror [1 - 4 | name-str]`

After you install and boot release K.14.01 or greater, ACL-based local and remote mirroring sessions configured on a port or VLAN interface are automatically converted to classifier-based mirroring policies.

If you are running software release K.13.XX or earlier, ACL permit/deny criteria are supported to select IP traffic entering a switch to mirror in a local or remote session, using specified source and/or destination criteria.

Mirrored traffic destinations

Local destinations

A local mirroring traffic destination is a port on the same switch as the source of the traffic being mirrored.

Remote destinations

A remote mirroring traffic destination is an switch configured to operate as the exit switch for mirrored traffic sessions originating on other switches.



CAUTION

After you configure a mirroring session with traffic-selection criteria and a destination, the switch immediately starts to mirror traffic to each destination device connected to an exit port. In a remote mirroring session that uses IPv4 encapsulation, if the intended exit switch is not already configured as the destination for the session, its performance may be adversely affected by the stream of mirrored traffic. For this reason, Switch strongly recommends that you configure the exit switch for a remote mirroring session before configuring the source switch for the same session.

Monitored traffic sources

You can configure mirroring for traffic entering or leaving the switch on:

- Ports and static trunks
Provides the flexibility for mirroring on individual ports, groups of ports, static port trunks, or any combination of these..
- Meshed ports
Enables traffic mirroring on all ports configured for meshing on the switch.
- Static VLANs
Supports traffic mirroring on static VLANs configured on the switch. This option enables easy mirroring of traffic from all ports on a VLAN. It automatically adjusts mirroring to include traffic from newly added ports and to exclude traffic from ports removed from the VLAN.

Criteria for selecting mirrored traffic

On the monitored sources listed above, you can configure the following criteria to select the traffic you want to mirror:

- Direction of traffic movement (entering or leaving the switch, or both.)
- Type of IPv4 or IPv6 traffic entering the switch, as defined by a classifier-based service policy.
- Source and/or destination MAC addresses in packet headers.

Mirroring configuration

The table below shows the different types of mirroring that you can configure using the CLI, Menu, and SNMP interfaces.

Table 24: Mirroring configuration options

Monitoring interface and configuration level	Traffic selection criteria	Traffic direction		
		CLI config	Menu and web i/f config ¹	Snmp config
VLAN	All traffic	Inbound only Outbound only Both directions	All traffic (inbound and outbound combined)	Inbound only Outbound only Both directions
	ACL (IP traffic)	See About selecting inbound traffic using advanced classifier-based mirroring		
	Classifier-based policy (IPv4 or IPv6 traffic)	Inbound only	Not available	Not available
Port(s) Trunk(s) Mesh	All traffic	Inbound only Outbound only Both directions	All traffic (inbound and outbound combined)	Inbound only Outbound only Both directions
	ACL (IP traffic)	See About selecting inbound traffic using advanced classifier-based mirroring		
	Classifier-based policy (IPv4 or IPv6 traffic)	Inbound only	Not available	Not available
Switch (global)	MAC source/destination address	Inbound only Outbound only Both directions	Not available	Inbound only Outbound only Both directions

¹ Configures only session 1, and only for local mirroring.

Configuration notes

Using the CLI, you can configure all mirroring options on a switch.

Using the Menu, you can configure only session 1 and only local mirroring in session 1 for traffic in both directions on specified interfaces. (If session 1 has been already configured in the CLI for local mirroring for inbound-only or outbound-only traffic, and you use the Menu to modify the session 1 configuration, session 1 is automatically reconfigured to monitor both inbound and outbound traffic on the assigned interfaces. If session 1 has been configured in the CLI with a classifier-based mirroring policy or as a remote mirroring session, an error message is displayed if you try to use the Menu to configure the session.)

You can use the CLI can configure sessions 1 to 4 for local or remote mirroring in any combination, and override a Menu configuration of session 1.

You can also use SNMP configure sessions 1 to 4 for local or remote mirroring in any combination and override a Menu configuration of session 1, **except** that SNMP cannot be used to configure a classifier-based mirroring policy.

Remote mirroring endpoint and intermediate devices

The remote mirroring endpoint that is used in a remote mirroring session must be an switch that supports the mirroring functions described in this chapter. (A remote mirroring endpoint consists of the remote switch and exit port connected to a destination device.) Because remote mirroring on an switch uses IPv4 to encapsulate mirrored traffic sent to a remote endpoint switch, the intermediate switches and routers in a layer 2/3 domain can be from any vendor if they support IPv4.

The following restrictions apply to remote endpoint switches and intermediate devices in a network configured for traffic mirroring:

- The exit port for a mirroring destination must be an individual port and **not** a trunk, mesh, or VLAN interface.
- A switch mirrors traffic on static trunks, but not on dynamic LACP trunks.
- A switch mirrors traffic at line rate. When mirroring multiple interfaces in networks with high-traffic levels, it is possible to copy more traffic to a mirroring destination than the link supports. However, some mirrored traffic may not reach the destination. If you are mirroring a high-traffic volume, you can reduce the risk of oversubscribing a single exit port by:
 - Directing traffic from different session sources to multiple exit ports.
 - Configuring an exit port with a higher bandwidth than the monitored source port.

Using the Menu to configure local mirroring

Menu and WebAgent limits

You can use the Menu and WebAgent to quickly configure or reconfigure local mirroring on session 1 and allow one of the following two mirroring source options:

- Any combination of source ports, trunks, and a mesh.
- One static, source VLAN interface.

The Menu and WebAgent also has these limits:

- Configure and display only session 1 and only as a local mirroring session for traffic in **both** directions on the specified interface. (Selecting inbound-only or outbound-only is not an option.)
- If session 1 has been configured in the CLI for local mirroring for inbound-only or outbound-only traffic on one or more interfaces, using the Menu to change the session 1 configuration **automatically reconfigures the session** to monitor both inbound and outbound traffic on the designated interface(s.)
- If session 1 has been configured in the CLI with an ACL/classifier-based mirroring policy or as a remote mirroring session, the Menu is not available for changing the session 1 configuration.
- The CLI (and SNMP) can be used to override any Menu configuration of session 1.

Remote mirroring overview

To configure a remote mirroring session in which the mirroring source and destination are on different switches, follow these general steps:

After you complete **5.b** on page 425, the switch begins mirroring traffic to the remote destination (endpoint) configured for the session.

1. Determine the IP addressing, UDP port number, and destination (exit) port number for the remote session:
 - a. Source VLAN or subnet IP address on the source switch.
 - b. Destination VLAN or subnet IP address on the destination switch.
 - c. Random UDP port number for the session (7933-65535.)
 - d. Remote mirroring endpoint: Exit port and IP address of the remote destination switch (In a remote mirroring endpoint, the IP address of the exit port and remote switch can belong to different VLANs. Any loopback IP address can be used except the default loopback address 127.0.0.1.)

Requirement: For remote mirroring, the same IP addressing and UDP port number must be configured on both the source and destination switches.

2. On the remote destination (endpoint) switch, enter the `mirror endpoint` command with the information from **1** on page 424 to configure a mirroring session for a specific exit port.
3. Determine the session (1 to 4) and (optional) alphanumeric name to use on the **source** switch.
4. Determine the traffic to be filtered by any of the following selection methods and the appropriate configuration level (VLAN, port, mesh, trunk, global):
 - a. Direction: inbound, outbound, or both.
 - b. Classifier-based mirroring policy: inbound only for IPv4 or IPv6 traffic.
 - c. MAC source and/or destination address: inbound, outbound, or both.
5. On the **source** switch:

- a. Enter the `mirror` command with the session number (1 to 4) and the IP addresses and UDP port number from [1](#) on page 424 to configure a mirroring session. If desired, enter the `[truncation]` parameter to allow oversized packets to be truncated rather than dropped.
- b. Enter one of the following commands to configure one or more of the traffic-selection methods in [4](#) on page 424 for the configured session:

```
interface port/trunk/mesh [monitor | service-policy policy-name in] vlan vid  
[monitor | service-policy policy-name in] monitor mac mac-addr
```

After you complete 5b, the switch begins mirroring traffic to the remote destination (endpoint) configured for the session.

Quick reference to remote mirroring setup

Commands to configure mirroring for a remote session in which the mirroring source and destination are on different switches:

- The `mirror` command identifies the destination in a mirroring session.
- The `interface` and `vlan` commands identify the monitored interface, traffic direction, and traffic-selection criteria for a specified session.



When configuring a remote mirroring session, always configure the destination switch first. Configuring the source switch first can result in a large volume of mirrored, IPv4-encapsulated traffic arriving at the destination without an exit path, which can slow switch performance.

High-level overview of the mirror configuration process

Determine the mirroring session and destination

For a local mirroring session

Determine the port number for the exit port (such as A5, B10, and so forth), then go to [Configure the monitored traffic in a mirror session](#).

For a remote mirroring session

Determine the following information and then go to.

- The IP address of the VLAN or subnet on which the exit port exists on the destination switch.
- The port number of the remote exit port on the remote destination switch. (In a remote mirroring endpoint, the IP address of the exit port and the remote destination switch can belong to different VLANs.)
- The IP address of the VLAN or subnet on which the mirrored traffic enters or leaves the source switch.



Although the switch supports the use of UDP port numbers from 1 to 65535, UDP port numbers below 7933 are reserved for various IP applications. Using these port numbers for mirroring can result in an interruption of other IP functions, and in non-mirrored traffic being received on the destination (endpoint) switch and sent to the device connected to the remote exit port.

- The unique UDP port number to use for the session on the source switch. (The recommended port range is from 7933 to 65535.)

Configure a mirroring destination on a remote switch

This step is required only if you are configuring a remote mirroring session in which the exit port is on a different switch than the monitored (source) interface. If you are configuring local mirroring, go to **Configure a mirroring session on the source switch** on page 426.

For remote mirroring, you must configure the **destination** switch to recognize each mirroring session and forward mirrored traffic to an exit port before you configure the **source** switch. Configure the destination switch with the values you determined for remote mirroring in **Determine the mirroring session and destination**.



A remote destination switch can support up to 32 remote mirroring endpoints (exit ports connected to a destination device in a remote mirroring session.)

Configure a destination switch in a remote mirroring session

Enter the `mirror endpoint ip` command on the remote switch to configure the switch as a remote endpoint for a mirroring session with a different source switch.

Configure a mirroring session on the source switch

To configure local mirroring, exit port number is all that is required.

If the exit port for a mirroring destination is on a remote switch instead of the local (source) switch, you must enter the source IP address, destination IP address, and UDP port number for the remote mirroring session. You may also wish to enable frame truncation to allow oversize frames to be truncated rather than dropped.

Frames that exceed the maximum size (MTU) are either dropped or truncated, according to the setting of the `[truncation]` parameter in the `mirror` command.

Frames that are near the MTU size may become oversize when the 54-byte remote mirroring tunnel header is added for transport between source switch and destination switch.

(The addition of the header is a frequent cause for frames becoming oversize, but note that all oversize frames, whatever the cause of their excess size, are dropped or truncated.) If a frame is truncated, bytes are removed from the end of the frame. This may cause the checksum in the original frame header to fail. Some protocol analyzers may flag such a checksum mismatch as an alert.



Note that if you enable jumbo frames to allow large frames to be transmitted, you must enable jumbo frames on all switches in the path between source and destination switches.

Configure a source switch in a remote mirroring session

Enter the `mirror remote ip` command on the source switch to configure a remote destination switch for a mirroring session on the source switch. The source IP address, UDP port number, and destination IP address that you enter must be the same values that you entered with the `mirror endpoint ip` command.



After you configure a mirroring session with traffic-selection criteria and a destination, the switch immediately starts to mirror traffic to the destination device connected to each exit port. In a remote mirroring session that uses IPv4 encapsulation, if the remote (endpoint) switch is not already configured as the destination for the session, its performance may be adversely affected by the stream of mirrored traffic. For this reason, Hewlett Packard Enterprise strongly recommends that you configure the endpoint switch in a remote mirroring session, as described on the previous page in the section titled "For a remote mirroring session", before using the `mirror remote ip` command in this section to configure the mirroring source for the same session.

Configure the monitored traffic in a mirror session

This step configures one or more interfaces on a source switch with traffic-selection criteria to select the traffic to be mirrored in a local or remote session configured in section.

Traffic selection options

To configure traffic mirroring, specify the source interface, traffic direction, and criteria to be used to select the traffic to be mirrored by using the following options:

- Interface type
 - Port, trunk, and/or mesh
 - VLAN
 - Switch (global configuration level)
- Traffic direction and selection criteria
 - All inbound and/or outbound traffic on a port or VLAN interface
 - Only inbound IP traffic selected with an ACL (deprecated in software release K.14.01 and greater)
 - Only inbound IPv4 or IPv6 traffic selected with a classifier-based mirroring policy
 - All inbound and/or outbound traffic selected by MAC source and/or destination address

The different ways to configure traffic-selection criteria on a monitored interface are described in the following sections.

Mirroring-source restrictions

In a mirroring session, you can configure any of the following sources of mirrored traffic:

- Multiple port and trunk, and/or mesh interfaces
- One VLAN

If you configure a VLAN as the source interface in a mirroring session and assign a second VLAN to the session, the second VLAN overwrites the first VLAN as the source of mirrored traffic.

- One classifier-based policy

If you configure a mirroring policy on a port or VLAN interface to mirror inbound traffic in a session, you cannot configure a port, trunk, mesh, ACL, or VLAN as an additional source of mirrored traffic in the session.

- Up to 320 MAC addresses (used to select traffic according to source, destination MAC address, or both) in all mirroring sessions configured on a switch

About selecting all inbound/outbound traffic to mirror

If you have already configured session 1 with a local or remote destination, you can enter the `vlan vid monitor` or `interface port monitor` command without additional parameters for traffic-selection criteria and session number to configure mirroring for all inbound and outbound traffic on the specified VLAN or port interfaces in session 1 with the preconfigured destination.

Untagged mirrored packets

Although a VLAN tag is added (by default) to the mirrored copy of untagged outbound packets to indicate the source VLAN of the packet, it is sometimes desirable to have mirrored packets look exactly like the original packet. The `no-tag-added` parameter gives you the option of not tagging mirrored copies of outbound packets, as shown in **Figure 92: Mirroring commands with the no-tag-added option** on page 428 and **Figure 93: Displaying a mirror session configuration with the no-tag-added option** on page 428.

Figure 92: *Mirroring commands with the no-tag-added option*

```
HP Switch(config)#interface 3 monitor all in mirror 1 no-tag-added
HP Switch(config)#interface mesh monitor all both mirror 1 no-tag-added
```

Figure 93: *Displaying a mirror session configuration with the no-tag-added option*

```
HP Switch# show monitor 1

Network Monitoring

Session: 1   Session Name:
ACL: no ACL relationship exists

Mirror Destination: 48
Untagged traffic : untagged ← Indicates the no-tag-added option is configured.
Monitoring Sources Direction
-----
Port: 3           Both
```

About using SNMP to configure no-tag-added

The MIB object `hpicfBridgeDontTagWithVlan` is used to implement the `no-tag-added` option, as shown below:

```
hpicfBridgeDontTagWithVlan OBJECT-TYPE
    SYNTAX INTEGER
    {
        enabled(1),
        disabled(2)
    }
    MAX-ACCESS read-write
    STATUS current
    DESCRIPTION
        "This oid mentions whether VLAN tag is part of the
        mirror'ed copy of the packet. The value 'enabled'
```

```
denotes that the VLAN tag shouldn't be part
of the mirror'ed copy; 'disabled' does put
the VLAN tag in the mirror'ed copy. Only one
logical port is allowed.
This object is persistent and when written
the entity
    SHOULD save the change to non-volatile storage."
DEFVAL { 2 }
::= { hpicfBridgeMirrorSessionEntry 2 }
```

Operating notes

The following conditions apply for the `no-tag-added` option:

- The specified port can be a physical port, trunk port, or mesh port.
- Only a single logical port (physical port or trunk) can be associated with a mirror session when the `no-tag-added` option is specified. No other combination of ACL mirroring, VLAN mirroring, or port mirroring can be associated with the mirror session. If more than one logical port is specified, the following error message is displayed:
Cannot monitor more than one logical port with no-tag-added option
- If a port changes its VLAN membership and/or untagged status within the VLAN, the "untagged port mirroring" associated with that port is updated when the configuration change is processed.
- Only four ports or trunks can be monitored at one time when all four mirror sessions are in use (one logical port per mirror session) without VLAN tags being added to a mirrored copy.
- The `no-tag-added` option can also be used when mirroring is configured with SNMP.
- A VLAN tag is still added to the copies of untagged packets obtained via VLAN-based mirroring.

About selecting inbound/outbound traffic using a MAC address

Use the `monitor mac mirror` command at the global configuration level to apply a source and/or destination MAC address as the selection criteria used in a local or remote mirroring session.

While classifier-based mirroring allows you to mirror traffic using a policy to specify IP addresses as selection criteria, MAC-based mirroring allows you monitor switch traffic using a source and/or destination MAC address. You can apply MAC-based mirroring in one or more mirroring sessions on the switch to monitor:

- Inbound traffic
- Outbound traffic
- Both inbound and outbound traffic

MAC-based mirroring is useful in Switch Network Immunity security solutions that provide detection and response to malicious traffic at the network edge. After isolating a malicious MAC address, a security administrator can mirror all traffic sent to and received from the suspicious address for troubleshooting and traffic analysis.

The MAC address that you enter with the `monitor mac mirror` command is configured to select traffic for mirroring from all ports and learned VLANs on the switch. Therefore, a suspicious MAC address used in wireless applications can be continuously monitored as it re-appears in switch traffic on different ports or VLAN interfaces.

You can configure MAC-based mirroring from the CLI or an SNMP management station and use it to mirror:

- All inbound and outbound traffic from a group of hosts to one destination device.
- Inbound and/or outbound traffic from each host to a different destination device.
- Inbound and outbound traffic from all monitored hosts separately on two destination devices: mirroring all inbound traffic to one device and all outbound traffic to another device.

Restrictions

The following restrictions apply to MAC-based mirroring:

- Up to 320 different MAC addresses are supported for traffic selection in all mirroring sessions configured on the switch.
- A destination MAC address is not supported as mirroring criteria for routed traffic, because in routed packets, the destination MAC address is changed to the next-hop address when the packet is forwarded. Therefore, the destination MAC address that you want to mirror will not appear in routed packet headers.

This restriction also applies to the destination MAC address of a host that is directly connected to a routing switch. (Normally, a host is connected to an edge switch, which is directly connected to the router.)

To mirror routed traffic, we recommend that you use classifier-based policies to select IPv4 or IPv6 traffic for mirroring, as described in.

- On a switch, you can use a MAC address only once as a source MAC address and only once as a destination MAC address to filter mirrored traffic.

For example, after you enter the following commands:

```
monitor mac 111111-222222 src mirror 1
monitor mac 111111-222222 dest mirror 2
```

The following commands are not supported:

```
monitor mac 111111-222222 src mirror 3
monitor mac 111111-222222 dest mirror 4
```

In addition, if you enter the `monitor mac 111111-222222 both mirror 1` command, you cannot use the MAC address `111111-222222` in any other `monitor mac mirror` configuration commands on the switch.

- To re-use a MAC address that has already been configured as a source and/or destination address for traffic selection in a mirror session, you must first remove the configuration by entering the `no` form of the command and then re-enter the MAC address in a new `monitor mac mirror` command.

For example, if you have already configured MAC address `111111-222222` to filter inbound and outbound mirrored traffic, and you decide to use it to filter only inbound traffic in a mirror session, you could enter the following commands:

```
monitor mac 111111-222222 both mirror 1
no monitor mac 111111-222222 both mirror 1
monitor mac 111111-222222 src mirror 1
```

- A mirroring session in which you configure MAC-based mirroring is not supported on a port, trunk, mesh, or VLAN interface on which a mirroring session with a classifier-based mirroring policy is configured.

About selecting inbound traffic using advanced classifier-based mirroring

In addition to the traffic selection options, traffic mirroring supports the use of advanced classifier-based functions that provide:

- A finer granularity for selecting the inbound IP traffic that you want to mirror on an individual port or VLAN interface (instead of mirroring all inbound traffic on the interface)
- Support for mirroring both IPv4 and IPv6 traffic
- The ability to re-use the same traffic classes in different software-feature configurations; for example, you can apply both a QoS rate-limiting and mirroring policy on the same class of traffic.

Classifier-based mirroring policies provide greater precision when analyzing and debugging a network traffic problem. Using multiple match criteria, you can finely select and define the classes of traffic that you want to mirror on a traffic analyzer or IDS device.

Classifier-based mirroring configuration

1. Evaluate the types of traffic in your network and identify the traffic types that you want to mirror.
2. Create an IPv4 or IPv6 traffic class using the `class` command to select the packets that you want to mirror in a session on a preconfigured local or remote destination device.

A traffic class consists of match criteria, which consist of `match` and `ignore` commands.

- `match` commands define the values that header fields must contain for a packet to belong to the class and be managed by policy actions.
- `ignore` commands define the values which, if contained in header fields, exclude a packet from the policy actions configured for the class.



Be sure to enter `match/ignore` statements in the precise order in which you want their criteria to be used to check packets.

The following match criteria are supported in `match/ignore` statements for inbound IPv4/IPv6 traffic:

- IP source address (IPv4 and IPv6)
- IP destination address (IPv4 and IPv6)
- IP protocol (such as ICMP or SNMP)
- Layer 3 IP precedence bits
- Layer 3 DSCP codepoint
- Layer 4 TCP/UDP application port (including TCP flags)
- VLAN ID

Enter one or more `match` or `ignore` commands from the class configuration context to filter traffic and determine the packets on which policy actions will be performed.

3. Create a mirroring policy to configure the session and destination device to which specified classes of inbound traffic are sent by entering the `policy mirror` command from the global configuration context.



Be sure to enter each class and its associated mirroring actions in the precise order in which you want packets to be checked and processed.

To configure the mirroring actions that you want to execute on packets that match the criteria in a specified class, enter one or more class action mirror commands from the policy configuration context.

You can configure only one mirroring session (destination) for each class. However, you can configure the same mirroring session for different classes.

A packet that matches the match criteria in a class is mirrored to the exit (local or remote) port that has been previously configured for the session, where session is a value from 1 to 4 or a text string (if you configured the session with a name when you entered the `mirror` command.)

Prerequisite: The local or remote exit port for a session must be already configured before you enter the `mirror session` parameter in a class action statement:

- In a local mirroring session, the exit port is configured with the `mirror <session-number> port` command
- In a remote mirroring session, the remote exit port is configured with the `mirror endpoint ip` and `mirror <session-number> remote ip` commands.

Restriction: In a policy, you can configure only one mirroring session per class. However, you can configure the same session for different classes.

Mirroring is not executed on packets that match ignore criteria in a class.

The execution of mirroring actions is performed in the order in which the classes are numerically listed in the policy.

The complete no form of the `class action mirror` command or the `no <seq-number>` command removes a class and mirroring action from the policy configuration.

To manage packets that do not match the match or ignore criteria in any class in the policy, and therefore have no mirroring actions performed on them, you can enter an optional default class. The default class is placed at the end of a policy configuration and specifies the mirroring actions to perform on packets that are neither matched nor ignored.

4. (Optional) To configure a default-class in a policy, enter the `default-class` command at the end of a policy configuration and specify one or more actions to be executed on packets that are not matched and not ignored.

Prerequisite: The local or remote exit port for a session must be already configured with a destination device before you enter the `mirror <session>` parameter in a default-class action statement.

5. Apply the mirroring policy to inbound traffic on a port (`interface service-policy in` command) or VLAN (`vlan service-policy in` command) interface.



After you apply a mirroring policy for one or more preconfigured sessions on a port or VLAN interface, the switch immediately starts to use the traffic-selection criteria and exit port to mirror traffic to the destination device connected to each exit port.

In a remote mirroring session that uses IPv4 encapsulation, if the remote switch is not already configured as the destination for the session, its performance may be adversely affected by the stream of mirrored traffic.

For this reason, Hewlett Packard Enterprise strongly recommends that you first configure the exit switch in a remote mirroring session before you apply a mirroring service policy on a port or VLAN interface.

Restrictions: The following restrictions apply to a mirroring service policy:

- Only one mirroring policy is supported on a port or VLAN interface.
- If you apply a mirroring policy to a port or VLAN interface on which a mirroring policy is already configured, the new policy replaces the existing one.
- A mirroring policy is supported only on inbound traffic.

Because only one mirroring policy is supported on a port or VLAN interface, ensure that the policy you want to apply contains all the required classes and actions for your configuration.

Classifier-based mirroring restrictions

The following restrictions apply to mirroring policies configured with the classifier-based model:

- A mirroring policy is supported only on **inbound** IPv4 or IPv6 traffic.
- A mirroring policy is not supported on a meshed port interface. (Classifier-based policies are supported only on a port, VLAN, or trunk interface.)
- Only one classifier-based mirroring policy is supported on a port or VLAN interface. You can, however, apply a classifier-based policy of a different type, such as QoS.
- You can enter multiple `class action mirror` statements in a policy.
 - You can configure only one mirroring session (destination) for each class.
 - You can configure the same mirroring session for different classes.

- If a mirroring session is configured with a classifier-based mirroring policy on a port or VLAN interface, no other traffic-selection criteria (MAC-based or all inbound and/or outbound traffic) can be added to the session.

Figure 94: Mirroring configuration in which only a mirroring policy is supported

```
Switch-B(config)# mirror endpoint 10.10.40.4 9200 10.10.50.5 port a1
...
Switch-A(config)# mirror 1 remote ip 10.10.40.4 9200 10.10.50.5
Caution: Please configure destination switch first.
Do you want to continue [y/n]? y
Switch-A(config)# class ipv4 Data2
Switch-A(config-class)# match ip 10.28.31.1 any
Switch-A(config-class)# match ip any host 10.28.31.0/24
Switch-A(config-class)# exit
Switch-A(config)# policy mirror SalesData
Switch-A(config-policy)# class ipv4 Data2 action mirror 1
Switch-A(config-policy)# exit
Switch-A(config)# vlan 10 service-policy SalesData in
Switch-A(config)# vlan 10 monitor all out mirror 1
A prior mirror policy relationship exists with mirror session 1. Please remove.
```

Classifier-based policy used to select mirrored traffic in session 1

The configuration of additional traffic-direction criteria to select mirrored traffic is not supported in session 1.

- If a mirroring session is already configured with one or more traffic-selection criteria (MAC-based or all inbound and/or outbound traffic), the session does not support the addition of a classifier-based policy.

Figure 95: Mirroring configuration in which only traffic-selection criteria are supported

```
Switch-B(config)# mirror endpoint 10.10.40.4 9200 10.10.50.5 port a1
...
Switch-A(config)# mirror 1 remote ip 10.10.40.4 9200 10.10.50.5
Caution: Please configure destination switch first.
Do you want to continue [y/n]? y
Switch-A(config)# vlan 10 monitor all out mirror 1
Switch-A(config)# class ipv4 Data2
Switch-A(config-class)# match ip 10.28.31.1 any
Switch-A(config-class)# match ip any host 10.28.31.0/24
Switch-A(config-class)# exit
Switch-A(config)# policy mirror SalesData
Switch-A(config-policy)# class ipv4 Data2 action mirror 1
Switch-A(config-policy)# exit
Switch-A(config)# vlan 10 service-policy SalesData in
Mirror source VLAN exists on mirror session 1. Cannot add this mirror source.
```

Configuration of traffic-direction criteria to select all outbound traffic on VLAN 10 in mirror session 1

The configuration of an additional classifier-based policy to select mirrored traffic on VLAN 10 is not supported in session 1.

About applying multiple mirroring sessions to an interface

You can apply a mirroring policy to an interface that is already configured with another traffic-selection method (MAC-based or all inbound and/or outbound traffic) for a different mirroring session.

The classifier-based policy provides a finer level of granularity that allows you to zoom in on a subset of port or VLAN traffic and select it for local or remote mirroring.

In the following example, traffic on Port b1 is used as the mirroring source for two different, local mirroring sessions:

- All inbound and outbound traffic on Ports b1, b2, and b3 is mirrored in session 4.
- Only selected voice traffic on Port b1 is mirrored in session 2.

Figure 96: Example of applying multiple sessions to the same interface

```

HP Switch(config)# mirror 4 port a2
HP Switch(config)# interface b1-b3 monitor all both mirror 4
HP Switch(config)# mirror 2 port b4
HP Switch(config)# class ipv4 voice
HP Switch(config-class)# match ip any any ip-dscp ef
HP Switch(config-class)# exit
HP Switch(config)# policy mirror IPphones
HP Switch(config-policy)# class ipv4 voice action mirror 2
HP Switch(config-policy)# exit
HP Switch(config)# interface b1 service-policy IPphones in

```

Mirroring configuration examples

Local mirroring using traffic-direction criteria

An administrator wants to mirror the inbound traffic from workstation "X" on port A5 and workstation "Y" on port B17 to a traffic analyzer connected to port C24 (see **Figure 97: Local mirroring topology** on page 435.) In this case, the administrator chooses "1" as the session number. (Any unused session number from 1 to 4 is valid.) Because the switch provides both the source and destination for the traffic to monitor, local mirroring can be used. In this case, the command sequence is:

- Configure the local mirroring session, including the exit port.
- Configure the monitored source interfaces for the session.

Figure 97: Local mirroring topology

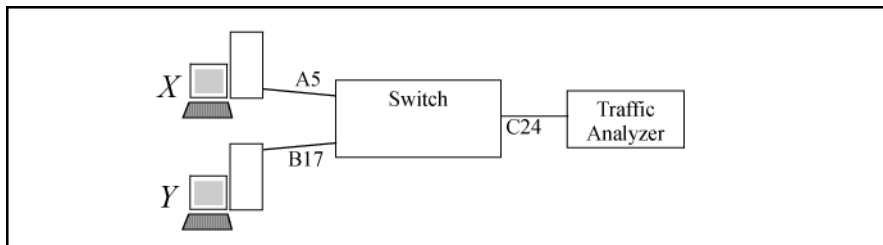


Figure 98: Configuring a local mirroring session for all inbound and outbound port traffic

```

HP Switch(config)# mirror 1 port c24
Caution: Please configure destination switch first.
Do you want to continue [y/n]? y
HP Switch(config)# interface a5,b17 monitor all in mirror
1

```

Configures port C24 as the mirroring destination (exit port) for session 1.

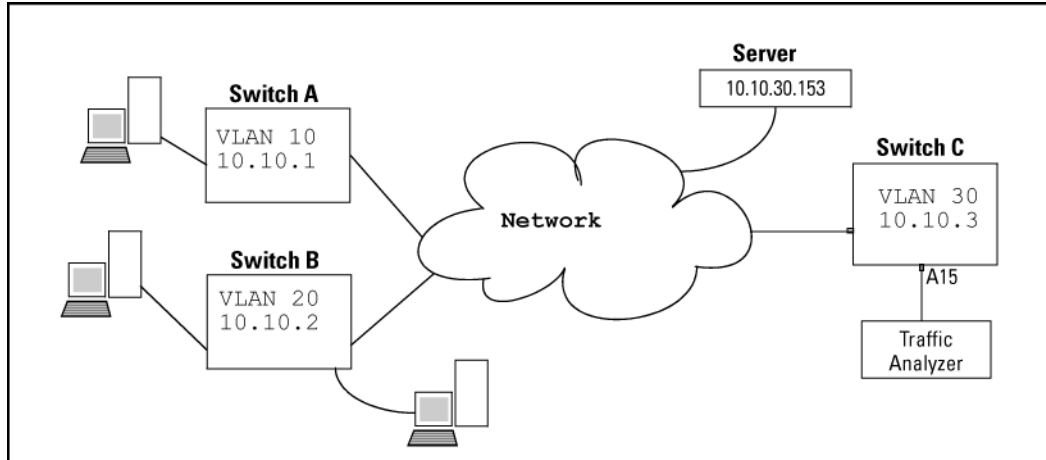
Reminder to configure mirroring destination before configuring source.

Mirrors all inbound and outbound traffic on ports A5 and B17 to the mirroring destination configured for session 1.

Remote mirroring using a classifier-based policy

In the network shown in the figure below, an administrator has connected a traffic analyzer to port A15 (in VLAN 30) on switch C to monitor the TCP traffic to the server at 10.10.30.153 from workstations connected to switches A and B. Remote mirroring sessions are configured on switches A and B, and a remote mirroring endpoint on switch C. TCP traffic is routed through the network to the server from VLANs 10 and 20 on VLAN 30.

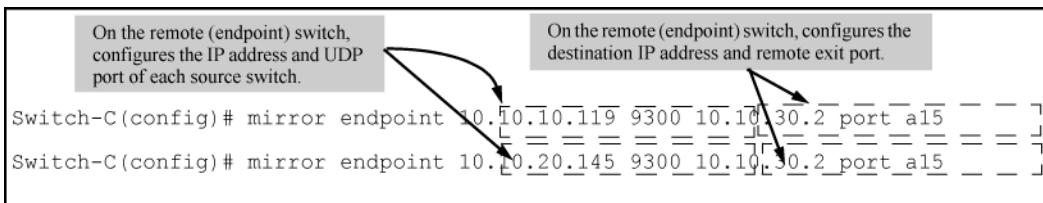
Figure 99: Sample topology in a remote mirroring session



To configure this remote mirroring session using a classifier-based policy to select inbound TCP traffic on two VLAN interfaces, take the following steps:

1. On remote switch C, configure a remote mirroring endpoint using port A15 as the exit port (as described in **Configure a mirroring destination on a remote switch** on page 426.)

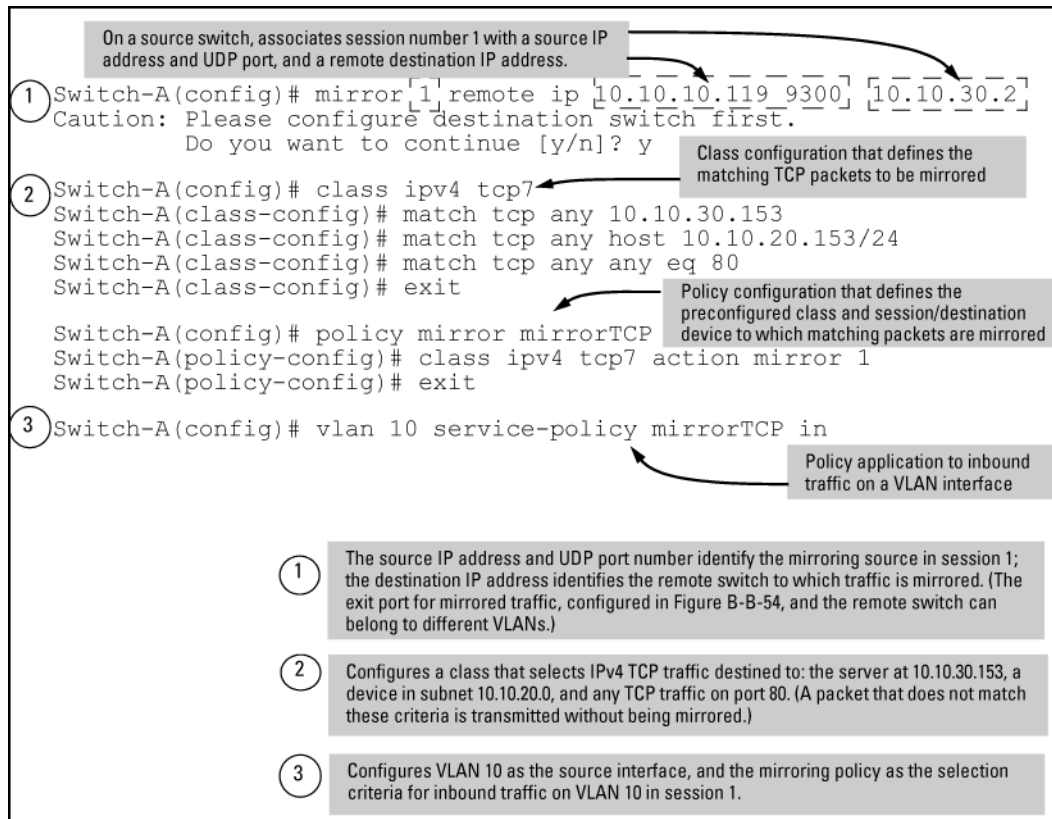
Figure 100: Configuring a remote mirroring endpoint: remote switch and exit port



2. On source switch A, configure an association between the remote mirroring endpoint on switch C and a mirroring session on switch A (as described in **Configure a mirroring session on the source switch** on page 426.)

3. On switch A, configure a classifier-based mirroring policy to select inbound TCP traffic destined to the server at 10.10.30.153, and apply the policy to the interfaces of VLAN 10 (as described in **About selecting inbound traffic using advanced classifier-based mirroring** on page 431.)

Figure 101: Configuring a classifier-based policy on source switch A



4. On source switch B, repeat steps 2 and 3:
 - a. Configure an association between the remote mirroring endpoint on switch C and a mirroring session on switch B.
 - b. Configure a classifier-based mirroring policy to select inbound TCP traffic destined to the server at 10.10.30.153, and apply the policy to a VLAN interface for VLAN 20.

Because the remote session has mirroring sources on different switches, you can use the same session number (1) for both sessions.

Figure 102: *Configuring a classifier-based policy on source switch B*

```
The configuration of remote-mirroring session 1 on Switch B is the same as on Switch A (figure B-55), except for the difference in source VLAN and source IP address. Note that on different switches, the UDP port number (9300) can be the same.

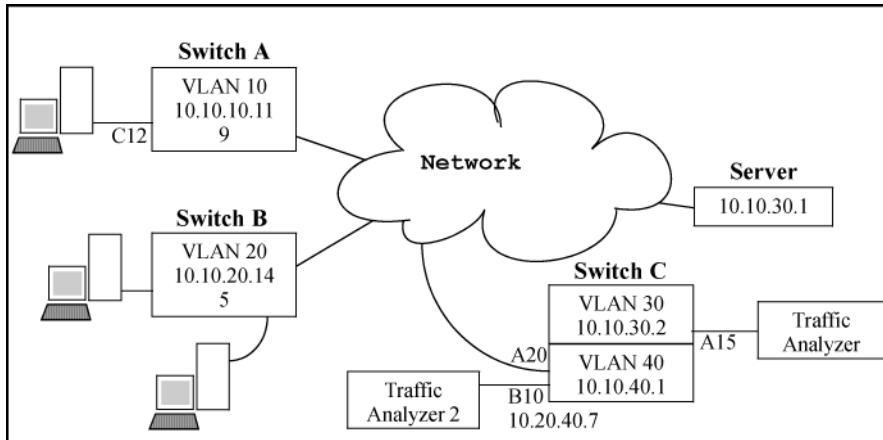
Switch-B(config)# mirror 1 remote ip 10.10.20.145 9300 10.10.30.2
Caution: Please configure destination switch first.
Do you want to continue [y/n]? y
Switch-B(config)# class ipv4 tcp7
Switch-B(class-config)# match tcp any 10.10.30.153
Switch-B(class-config)# match tcp any host 10.10.20.153/24
Switch-B(class-config)# match tcp any any eq 80
Switch-B(class-config)# exit
Switch-B(config)# policy mirror mirrorTCP
Switch-B(policy-config)# class ipv4 tcp7 mirror 1
Switch-B(policy-config)# exit
Switch-B(config)# vlan 20 service-policy mirrorTCP in
```

Remote mirroring using traffic-direction criteria

In the network shown in the figure below, the administrator connects another traffic analyzer to port B10 (in VLAN 40) on switch C to monitor all traffic entering switch A on port C12. For this mirroring configuration, the administrator configures a mirroring destination (with a remote exit port of B10) on switch C, and a remote mirroring session on switch A.

If the mirroring configuration in the preceding example is enabled, it is necessary to use a different session number (2) and UDP port number (9400.) (The IP address of the remote exit port [10.10.40.7] connected to traffic analyzer 2 [exit port B10] can belong to a different VLAN than the destination IP address of the VLAN used to reach remote switch C [10.20.40.1]).

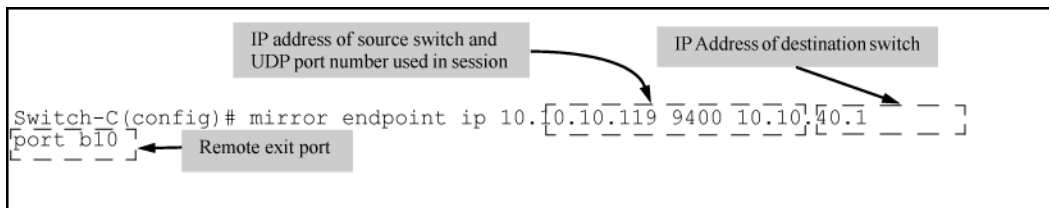
Figure 103: *Sample topology for remote mirroring from a port interface*



To configure this remote mirroring session using a directional-based traffic selection on a port interface, the operator must take the following steps:

1. On remote switch C, configure the remote mirroring endpoint using port B10 as the exit port for a traffic analyzer (as described in **Configure a mirroring destination on a remote switch** on page 426):

Figure 104: Configuring a remote mirroring endpoint



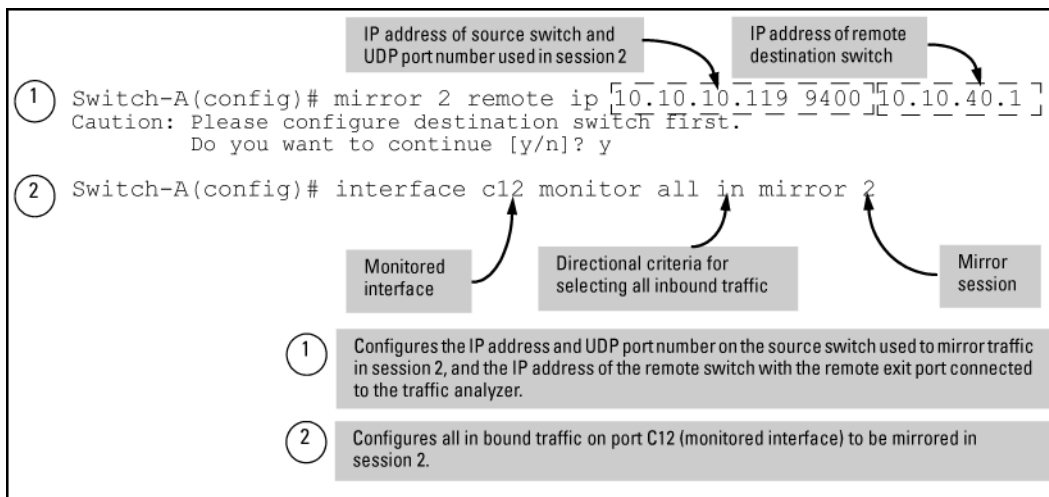
2. On source switch A, configure session 2 to use UDP port 9400 to reach the remote mirroring endpoint on switch C (10.10.40.1):

```
mirror 2 remote ip 10.10.10.119 9400 10.10.40.1
```

3. On source switch A, configure the local port C12 to select all inbound traffic to send to the preconfigured mirroring destination for session 2:

```
interface c12 monitor all in mirror 2
```

Figure 105: Configuring a remote mirroring session for inbound port traffic



Maximum supported frame size

The IPv4 encapsulation of mirrored traffic adds a 54-byte header to each mirrored frame. If a resulting frame exceeds the MTU allowed in the network, the frame is dropped or truncated.



Oversized mirroring frames are dropped or truncated, according to the setting of the `[truncation]` parameter in the `mirror` command. Also, remote mirroring does not allow downstream devices in a mirroring path to fragment mirrored frames.

If jumbo frames are enabled on the mirroring source switch, the mirroring destination switch and all downstream devices connecting the source switch to the mirroring destination must be configured to support jumbo frames.

Enabling jumbo frames to increase the mirroring path MTU

On 1-Gbps and 10-Gbps ports in the mirroring path, you can reduce the number of dropped frames by enabling jumbo frames on all intermediate switches and routers. (The MTU on the switches covered by this manual is 9220 bytes for frames having an 802.1Q VLAN tag, and 9216 bytes for untagged frames.)

Table 25: Maximum frame sizes for mirroring

	Frame type configuration	Maximum frame size	VLAN tag	Frame mirrored to local port	Frame mirrored to remote port	
				Data	Data	IPv4 header
Untagged	Non-jumbo (default config.)	1518	0	1518	1464	54
	Jumbo on all VLANs	9216	0	9216	9162	54
	Jumbo ¹¹ On all but source VLAN	1518	0	n/a	1464	54
Tagged	Non-jumbo	1522	4	1522	1468	54
	Jumbo ¹¹ on all VLANs	9220	4	9218	9164	54
	Jumbo ¹¹ On all but source VLAN	1522	4	n/a ²²	1468	54

¹ Jumbo frames are allowed on ports operating at or above 1 Gbps

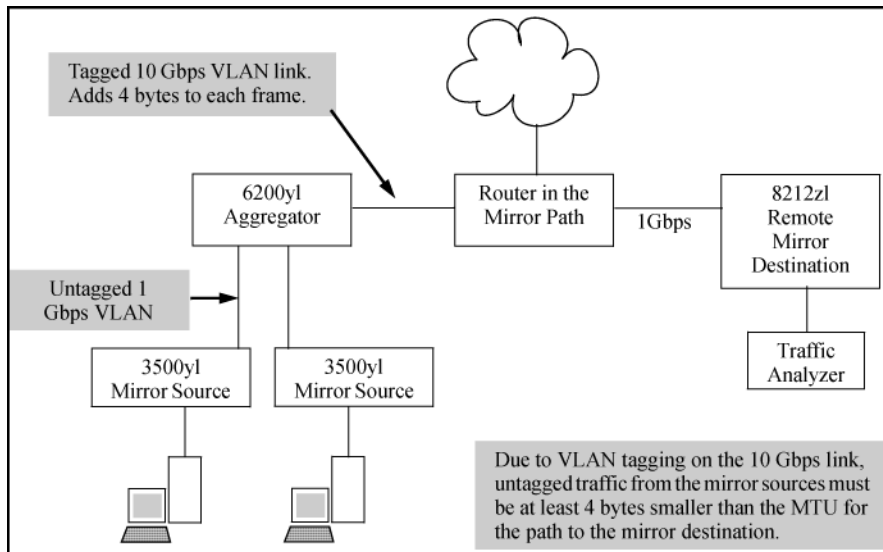
² For local mirroring, a non-jumbo configuration on the source VLAN dictates an MTU of 1518 bytes for untagged frames, and an MTU of 1522 for tagged frames, regardless of the jumbo configuration on any other VLANs on the switch.

Effect of downstream VLAN tagging on untagged, mirrored traffic

In a remote mirroring application, if mirrored traffic leaves the switch without 802.1Q VLAN tagging, but is forwarded through a downstream device that adds 802.1Q VLAN tags, the MTU for untagged mirrored frames leaving the source switch is reduced below the values shown in **Maximum frame sizes for mirroring**.

For example, if the MTU on the path to the destination is 1522 bytes, untagged mirrored frames leaving the source switch cannot exceed 1518 bytes. Likewise, if the MTU on the path to the destination is 9220 bytes, untagged mirrored frames leaving the source switch cannot exceed 9216 bytes.

Figure 106: Effect of downstream VLAN tagging on the MTU for mirrored traffic



Operating notes for traffic mirroring

- Mirroring dropped traffic

When an interface is configured to mirror traffic to a local or remote destination, packets are mirrored regardless of whether the traffic is dropped while on the interface. For example, if an ACL is configured on a VLAN with a `deny` ACE that eliminates packets from a Telnet application, the switch still mirrors the Telnet packets that are received on the interface and subsequently dropped.

- Mirroring and spanning tree

Mirroring is performed regardless of the STP state of a port or trunk. This means, for example, that inbound traffic on a port blocked by STP can still be monitored for STP packets during the STP setup phase.

- Tagged and untagged frames

For a frame entering or leaving the switch on a mirrored port, the mirrored copy retains the tagged or untagged state the original frame carried when it entered into or exited from the switch. (The tagged or untagged VLAN membership of ports in the path leading to the mirroring destination does not affect the tagged or untagged status of the mirrored copy itself.)

Thus, if a tagged frame arrives on a mirrored port, the mirrored copy is also tagged, regardless of the status of ports in the destination path. If a frame exits from the switch on a mirrored port that is a tagged member of a VLAN, the mirrored copy is also tagged for the same reason.

To prevent a VLAN tag from being added to the mirrored copy of an outbound packet sent to a mirroring destination, you must enter the `no-tag-added` parameter when you configure a port, trunk, or mesh interface to select mirrored traffic.

- Effect of IGMP on mirroring

If both inbound and outbound mirroring is operating when IGMP is enabled on a VLAN, two copies of mirrored IGMP frames may appear at the mirroring destination.

- Mirrored traffic not encrypted
Mirrored traffic undergoes IPv4 encapsulation, but mirrored encapsulated traffic is not encrypted.
- IPv4 header added
The IPv4 encapsulation of mirrored traffic adds a 54-byte header to each mirrored frame. If a resulting frame exceeds the maximum MTU allowed in the network, it is dropped or truncated (according to the setting of the `[truncation]` parameter in the `mirror` command.)
To reduce the number of dropped frames, enable jumbo frames in the mirroring path, including all intermediate switches and/or routers. (The MTU on the switch is 9220 bytes, which includes 4 bytes for the 802.1Q VLAN tag.)
- Intercepted or injected traffic
The mirroring feature does not protect against either mirrored traffic being intercepted or traffic being injected into a mirrored stream by an intermediate host.
- Inbound mirrored IPv4-encapsulated frames are not mirrored
The switch does not mirror IPv4-encapsulated mirrored frames that it receives on an interface. This prevents duplicate mirrored frames in configurations where the port connecting the switch to the network path for a mirroring destination is also a port whose inbound or outbound traffic is being mirrored.
For example, if traffic leaving the switch through ports B5, B6, and B7 is being mirrored through port B7 to a network analyzer, the mirrored frames from traffic on ports B5 and B6 will not be mirrored a second time as they pass through port B7.
- Switch operation as both destination and source
A switch configured as a remote destination switch can also be configured to mirror traffic to one of its own ports (local mirroring) or to a destination on another switch (remote mirroring.)
- Monitor command note
If session 1 is already configured with a destination, you can enter the `[no] vlan <VID>monitor` or `[no] interface <PORT> monitor` command without mirroring criteria and a mirror session number. In this case, the switch automatically configures or removes mirroring for inbound and outbound traffic from the specified VLAN or ports to the destination configured for session 1.
- Loss of connectivity suspends remote mirroring
When a remote mirroring session is configured on a source switch, the switch sends an ARP request to the configured destination approximately every 60 seconds. If the source switch fails to receive the expected ARP response from the destination for the session, transmission of mirrored traffic in the session halts. However, because the source switch continues to send ARP requests for each configured remote session, link restoration or discovery of another path to the destination enables the source switch to resume transmitting the session's mirrored traffic after a successful ARP response cycle occurs.
Note that if a link's connectivity is repeatedly interrupted ("link toggling"), little or no mirrored traffic may be allowed for sessions using that link. To verify the status of any mirroring session configured on the source switch, use the `show monitor` command.

Troubleshooting traffic mirroring

Cause

If mirrored traffic does not reach the configured remote destination (endpoint) switch or remote exit port, check the following configurations:

- In a remote mirroring session, the `mirror remote ip` command parameters configured on the source switch for source IP address, source UDP port, and destination IP address must be identical to the same parameters configured with the `mirror endpoint ip` command on the remote destination switch.
- The configured remote exit port must not be a member of a trunk or mesh.
- If the destination for mirrored traffic is on a different VLAN than the source, routing must be correctly configured along the path from the source to the destination.
- On the remote destination (endpoint) switch, the IP addresses of the remote exit port and the switch can belong to different VLANs.
- All links on the path from the source switch to the destination switch must be active.



A mirroring exit port should be connected only to a network analyzer, IDS, or other network edge device that has no connection to other network resources. Configuring a mirroring exit port connection to a network can result in serious network performance problems, and is strongly discouraged by HPE Aruba.

Interface monitoring features

You can designate monitoring of inbound and outbound traffic on:

- **Ports and static trunks:** Allows monitoring of individual ports, groups of contiguous ports, and static port trunks.
- **Static VLANs:** Allows traffic monitoring on one static VLAN.

The switch monitors network activity by copying all traffic inbound and outbound on the specified interfaces to the designated monitoring port, to which a network analyzer can be attached.

If a tagged packet arrives on a monitored port, the packet will remain tagged when it goes out a monitored port even if that port is configured as untagged. If the packet is untagged, it will remain untagged going out the monitor port. The monitor port state (tagged or untagged) does not affect the tagging of the packet. However, egress mirroring does not reflect the tagged or untagged characteristic to the mirror port, instead it reflects the tagged or untagged characteristic of the mirror port.



When both inbound and outbound monitoring is done, and IGMP is enabled on any VLAN, you may get two copies of IGMP packets on the monitored port.

VLANs and port trunks cannot be used as a monitoring port.

The switch can monitor static LACP trunks, but not dynamic LACP trunks.

It is possible, when monitoring multiple interfaces in networks with high traffic levels, to copy more traffic to a monitor port than the link can support. In this case, some packets may not be copied to the monitor port.

Configuring port and static trunk monitoring (Menu)

This procedure describes configuring the switch for monitoring when monitoring is disabled. (If monitoring has already been enabled, the screens will appear differently than shown in this procedure.)

1. From the console Main Menu, select:
 2. **Switch Configuration...**
 3. **Network Monitoring Port**
2. In the Actions menu, press **[E]** (for Edit).
3. If monitoring is currently disabled (the default) then enable it by pressing the Space bar (or **[Y]**) to select Yes.
4. Press the down arrow key to display a screen similar to the following and move the cursor to the **Monitoring Port** parameter.
5. Use the Space bar to select the port to use for monitoring.
6. Highlight the Monitor field and use the Space bar to select the interfaces to monitor:
Ports: Use for monitoring ports or static trunks.
VLAN: Use for monitoring a VLAN.
7. Do one of the following:
 - If you are monitoring ports or static trunks go to step 8.
 - If you are monitoring a VLAN:
 - a. i. Press **[Tab]** or the down arrow key to move to the **VLAN** field.
 - b. Use the Space bar to select the VLAN you want to monitor.
 - c. Go to step 10.
8. Use the down arrow key to move the cursor to the **Action** column for the individual ports and position the cursor at a port you want to monitor.
9. Press the Space bar to select **Monitor** for each port and trunk that you want monitored. (Use the down arrow key to move from one interface to the next in the **Action** column.)
10. When you finish selecting ports to monitor, press **[Enter]**, then press **[S]** (for **Save**) to save your changes and exit from the screen.
11. Return to the Main Menu.

Configuring port and static trunk monitoring (CLI)

You must use the following configuration sequence to configure port and static trunk monitoring in the CLI:

1. Assign a monitoring (mirror) port.
2. Designate the port(s) and/or static trunk(s) to monitor.

Displaying the monitoring configuration

Syntax:

```
show monitor
```

This command lists the port assigned to receive monitored traffic and the ports and/or trunks being monitored.

For example, if you assign port 5 as the monitoring port and configure the switch to monitor ports 2-4, `show monitor` displays the following:

Monitored port listing

```
switch(config)# show monitor

Network Monitoring Port

Mirror Port: 5 1

Monitoring sources 2
-----
2
3
4
```

- ¹Port receiving monitored traffic.
- ²Monitored Ports

Configuring the monitor port

Syntax:

```
[no] mirror-port [< port-num >]
```

This command assigns or removes a monitoring port, and must be executed from the global configuration level. Removing the monitor port disables port monitoring and resets the monitoring parameters to their factory-default settings.

For example, to assign port 6 as the monitoring port:

```
switch(config)# mirror-port 6
```

To turn off monitoring:

```
switch(config)# no mirror-port
```

Selecting or removing monitoring source interfaces

After you configure a monitor port you can use either the global configuration level or the interface context level to select ports, static trunks, or VLANs as monitoring sources. You can also use either level to remove monitoring sources.

Syntax:

```
[no] interface <monitor-list> monitor
```

<monitor-list>	Includes port numbers and static trunk names such as 4, 7, 5-8, trk1 .
----------------	---



Individual ports and static trunks can be monitored at the same time. However, if you configure the switch to monitor a VLAN, all other interfaces are removed from monitoring. Also, you can configure only one VLAN at a time for monitoring.

Elements in the monitor list can include port numbers and static trunk names at the same time.

For example, with a port such as port 5 configured as the monitoring (mirror) port, you would use either of the following commands to select these interfaces for monitoring:

- Ports 6-9, and 14
- Trunk 2

Selecting ports and static trunks as monitoring sources

```
switch(config)# int 6-9, 14 trk2, monitor
```

To monitor a VLAN:

Configuring VLAN monitoring

```
switch(config)# vlan 20 monitor  
switch(config)# show monitor
```

```
Network Monitoring Port
```

```
Mirror Port: 5
```

```
Monitoring sources
```

```
-----  
VLAN_20
```

Disabling monitoring at the interface context and the global config level

```
switch(eth-1-3, 5)# no int 5 monitor 1  
switch(eth-1-3, 5)# no monitor
```

```
switch(config)# no int 5 monitor 2  
switch(config)# no int 1-3, 5 monitor
```

- ¹These two commands show how to disable monitoring at the interface context level for a single port or all ports in an interface context level.
- ²These two commands show how to disable monitoring at the global config level for a single port or a group of ports.

Overview

The switch assigns MAC addresses in these areas:

- For management functions, one Base MAC address is assigned to the default VLAN (VID = 1). (All VLANs on the switches covered in this guide use the same MAC address.)
- For internal switch operations: One MAC address per port (see [Viewing the port and VLAN MAC addresses](#) on page 449).

MAC addresses are assigned at the factory. The switch automatically implements these addresses for VLANs and ports as they are added to the switch.



The switch's base MAC address is also printed on a label affixed to the switch.

Determining MAC addresses

Use the CLI to view the switch's port MAC addresses in hexadecimal format.

Use the menu interface to view the switch's base MAC address and the MAC address assigned to any VLAN you have configured on the switch. (The same MAC address is assigned to VLAN1 and all other VLANs configured on the switch.)



The switch's base MAC address is used for the default VLAN (VID =1) that is always available on the switch. This is true for dynamic VLANs as well; the base MAC address is the same across all VLANs.

Viewing the MAC addresses of connected devices

Syntax:

```
show mac-address [port-list | mac-addr | vlan < vid>]
```

Lists the MAC addresses of the devices the switch has detected, along with the number of the specific port on which each MAC address was detected.

[<i>port-list</i>]	Lists the MAC addresses of the devices the switch has detected, on the specified ports.
[<i>mac-addr</i>]	Lists the port on which the switch detects the specified MAC address. Returns the following message if the specified MAC address is not detected on any port in the switch: MAC address < <i>mac-addr</i> > not found.
[vlan < <i>vid</i> >]	Lists the MAC addresses of the devices the switch has detected on ports belonging to the specified VLAN, along with the number of the specific port on which each MAC address was detected.

Viewing the switch's MAC address assignments for VLANs configured on the switch

The Management Address Information screen lists the MAC addresses for:

- Base switch (default VLAN; VID=1)
- Any additional VLANs configured on the switch.

Also, the Base MAC address appears on a label on the back of the switch.



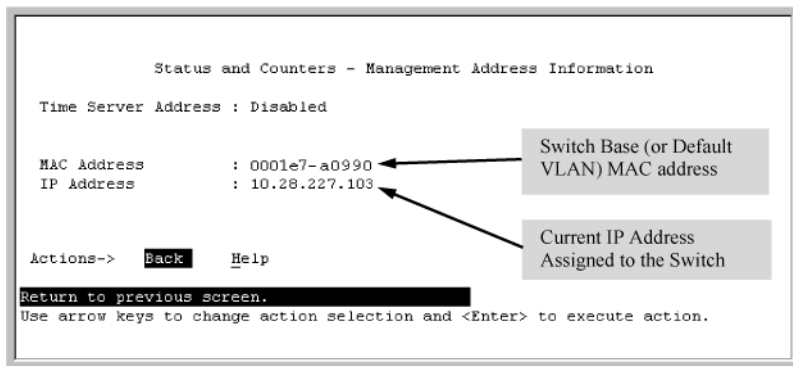
The Base MAC address is used by the first (default) VLAN in the switch. This is usually the VLAN named "DEFAULT_VLAN" unless the name has been changed (by using the VLAN Names screen). On the switches covered in this guide, the VID (VLAN identification number) for the default VLAN is always "1," **and cannot be changed**.

From the Main Menu, select

1. Status and Counters
2. Switch Management Address Information

If the switch has only the default VLAN, the following screen appears. If the switch has multiple static VLANs, each is listed with its address data.

Figure 107: Example: of the Management Address Information screen



Viewing the port and VLAN MAC addresses

The MAC address assigned to each switch port is used internally by such features as Flow Control and the spanning-tree protocol. Using the `walkmib` command to determine the MAC address assignments for individual ports can sometimes be useful when diagnosing switch operation.



This procedure displays the MAC addresses for all ports and existing VLANs in the switch, regardless of which VLAN you select.

Procedure

1. If the switch is at the CLI Operator level, use the `enable` command to enter the Manager level of the CLI.
2. Enter the following command to display the MAC address for each port on the switch:

```
switch# walkmib ifPhysAddress
```

(The above command is not case-sensitive.)

Example:

A switch with the following module configuration shows MAC address assignments similar to those shown in the example below:

- A 4-port module in slot A, a 24-port module in slot C, and no modules in slots B and D
- Two non-default VLANs configured

Figure 108: Example: of Port MAC address assignments on a switch

<pre> HP Switch# walkmib ifphysaddress ifPhysAddress.1 = 00 12 79 88 b1 ff ifPhysAddress.2 = 00 12 79 88 b1 fe ifPhysAddress.3 = 00 12 79 88 b1 fd ifPhysAddress.4 = 00 12 79 88 b1 fc ifPhysAddress.49 = 00 12 79 88 b1 cf ifPhysAddress.50 = 00 12 79 88 b1 ce ifPhysAddress.51 = 00 12 79 88 b1 cd ifPhysAddress.52 = 00 12 79 88 b1 cc ifPhysAddress.53 = 00 12 79 88 b1 cb ifPhysAddress.54 = 00 12 79 88 b1 ca ifPhysAddress.55 = 00 12 79 88 b1 c9 ifPhysAddress.56 = 00 12 79 88 b1 c8 ifPhysAddress.57 = 00 12 79 88 b1 c7 ifPhysAddress.58 = 00 12 79 88 b1 c6 ifPhysAddress.59 = 00 12 79 88 b1 c5 ifPhysAddress.60 = 00 12 79 88 b1 c4 ifPhysAddress.61 = 00 12 79 88 b1 c3 ifPhysAddress.62 = 00 12 79 88 b1 c2 ifPhysAddress.63 = 00 12 79 88 b1 c1 ifPhysAddress.64 = 00 12 79 88 b1 c0 ifPhysAddress.65 = 00 12 79 88 b1 bf ifPhysAddress.66 = 00 12 79 88 b1 be ifPhysAddress.67 = 00 12 79 88 b1 bd ifPhysAddress.68 = 00 12 79 88 b1 bc ifPhysAddress.69 = 00 12 79 88 b1 bb ifPhysAddress.70 = 00 12 79 88 b1 ba ifPhysAddress.71 = 00 12 79 88 b1 b9 ifPhysAddress.72 = 00 12 79 88 b1 b8 ifPhysAddress.362 = 00 12 79 88 a1 00 ifPhysAddress.461 = 00 12 79 88 a1 00 ifPhysAddress.488 = 00 12 79 88 a1 00 ifPhysAddress.4456 = </pre>	<p>ifPhysAddress.1 - 4: Ports A1 - A4 in Slot A (Addresses 5 - 24 in slot A are unused.)</p> <p>ifPhysAddress.49 - 72: Ports C1 - C24 in Slot C (In this example, there is no module in slot B.)</p> <p>ifPhysAddress.362 Base MAC Address (MAC Address for default VLAN; VID = 1)</p> <p>ifPhysAddress.461 and 488 Physical addresses for non-default VLANs configured on the switch. On the switches covered by this manual, all VLANs use the same MAC address as the Default VLAN. Refer to "Multiple VLAN Considerations" in the "Static LANs (VLANs)" chapter of the <i>Advanced Traffic Management Guide</i> for your switch.</p> <p>Virtual</p>
--	---

Overview

This chapter addresses performance-related network problems that can be caused by topology, switch configuration, and the effects of other devices or their configurations on switch operation. (For switch-specific information on hardware problems indicated by LED behavior, cabling requirements, and other potential hardware-related problems, see the installation guide you received with the switch.)



HPE periodically places switch software updates on the HPE Switch Networking website. HPE recommends that you check this website for software updates that may have fixed a problem you are experiencing.

For information on support and warranty provisions, see the Support and Warranty booklet shipped with the switch.

Troubleshooting approaches

Cause

Use these approaches to diagnose switch problems:

- Check the HPE website for software updates that may have solved your problem: <http://www.hpe.com/networking>
- Check the switch LEDs for indications of proper switch operation:
 - Each switch port has a Link LED that should light whenever an active network device is connected to the port.
 - Problems with the switch hardware and software are indicated by flashing the Fault and other switch LEDs. For a description of the LED behavior and information on using the LEDs for troubleshooting, see the installation guide shipped with the switch.
- Check the network topology/installation. For topology information, see the installation guide shipped with the switch.
- Check cables for damage, correct type, and proper connections. You should also use a cable tester to check your cables for compliance to the relevant IEEE 802.3 specification. For correct cable types and connector pin-outs, see the installation guide shipped with the switch.
- Use the Port Utilization Graph and Alert Log in the WebAgent included in the switch to help isolate problems. These tools are available through the WebAgent:
 - Port Utilization Graph
 - Alert log

- Port Status and Port Counters screens
- Diagnostic tools (Link test, Ping test, configuration file browser)
- For help in isolating problems, use the easy-to-access switch console built into the switch or Telnet to the switch console. For operating information on the Menu and CLI interfaces included in the console, see chapters 3 and 4. These tools are available through the switch console:
 - Status and Counters screens
 - Event Log
 - Diagnostics tools (Link test, Ping test, configuration file browser, and advanced user commands)

Browser or Telnet access problems

Cannot access the WebAgent

- Access may be disabled by the Web Agent Enabled parameter in the switch console. Check the setting on this parameter by selecting:

2. Switch Configuration

1. System Information

- The switch may not have the correct IP address, subnet mask, or gateway. Verify by connecting a console to the switch's Console port and selecting:

2. Switch Configuration

5. IP Configuration

Note: If DHCP/Bootp is used to configure the switch, the IP addressing can be verified by selecting:

1. Status and Counters...

2. Switch Management Address Information

Also check the DHCP/Bootp server configuration to verify correct IP addressing.

- If you are using DHCP to acquire the IP address for the switch, the IP address "lease time" may have expired so that the IP address has changed. For more information on how to "reserve" an IP address, see the documentation for the DHCP application that you are using.
- If one or more IP-authorized managers are configured, the switch allows inbound telnet access only to a device having an authorized IP address. For more information on IP Authorized managers, see the access security guide for your switch.
- Java™ applets may not be running on the web browser. They are required for the switch WebAgent to operate correctly. Refer to the online Help on your web browser for how to run the Java applets.

Cannot Telnet into the switch console from a station on the network

- Off-subnet management stations can lose Telnet access if you enable routing without first configuring a static (default) route. That is, the switch uses the IP default gateway only while operating as a Layer 2 device. While routing is enabled on the switch, the IP default gateway is not used. You can avoid this problem by using the ip

route command to configure a static (default) route before enabling routing. For more information, see "IP Routing Features" in the multicast and routing guide for your switch.

- Telnet access may be disabled by the `Inbound Telnet Enabled` parameter in the System Information screen of the menu interface:

2. Switch Configuration

1. System Information

- The switch may not have the correct IP address, subnet mask, or gateway. Verify by connecting a console to the switch's Console port and selecting:

2. Switch Configuration

5. IP Configuration

- If you are using DHCP to acquire the IP address for the switch, the IP address "lease time" may have expired so that the IP address has changed. For more information on how to "reserve" an IP address, see the documentation for the DHCP application that you are using.
- If one or more IP-authorized managers are configured, the switch allows inbound telnet access only to a device having an authorized IP address. For more information on IP Authorized managers, see the access security guide for your switch.

Unusual network activity

Network activity that fails to meet accepted norms may indicate a hardware problem with one or more of the network components, possibly including the switch. Such problems can also be caused by a network loop or simply too much traffic for the network as it is currently designed and implemented. Unusual network activity is usually indicated by the LEDs on the front of the switch or measured with the switchconsole interface or with a network management tool. For information on using LEDs to identify unusual network activity, see the installation guide you received with the switch.

A topology loop can also cause excessive network activity. The Event Log "FFI" messages can be indicative of this type of problem.

General problems

The network runs slow; processes fail; users cannot access servers or other devices

Broadcast storms may be occurring in the network. These may be caused by redundant links between nodes.

- If you are configuring a port trunk, finish configuring the ports in the trunk before connecting the related cables. Otherwise you may inadvertently create a number of redundant links (that is, topology loops) that will cause broadcast storms.
- Turn on STP to block redundant links
- Check for FFI messages in the Event Log

Duplicate IP addresses

This is indicated by this Event Log message:

```
ip: Invalid ARP source: IP address on IP address
```

where both instances of *IP address* are the same address, indicating that the switch's IP address has been duplicated somewhere on the network.

Duplicate IP addresses in a DHCP network

If you use a DHCP server to assign IP addresses in your network, and you find a device with a valid IP address that does not appear to communicate properly with the server or other devices, a duplicate IP address may have been issued by the server. This can occur if a client has not released a DHCP-assigned IP address after the intended expiration time and the server "leases" the address to another device. This can also happen, for example, if the server is first configured to issue IP addresses with an unlimited duration, and then is subsequently configured to issue IP addresses that will expire after a limited duration. One solution is to configure "reservations" in the DHCP server for specific IP addresses to be assigned to devices having specific MAC addresses. For more information, see the documentation for the DHCP server.

One indication of a duplicate IP address in a DHCP network is this Event Log message:

```
ip: Invalid ARP source: <IP-address>  
    on <IP-address>
```

where both instances of *IP-address* are the same address, indicating that the IP address has been duplicated somewhere on the network.

The switch has been configured for DHCP/Bootp operation, but has not received a DHCP or Bootp reply

When the switch is first configured for DHCP/Bootp operation, or if it is rebooted with this configuration, it immediately begins sending request packets on the network. If the switch does not receive a reply to its DHCP/Bootp requests, it continues to periodically send request packets, but with decreasing frequency. Thus, if a DHCP or Bootp server is not available or accessible to the switch when DHCP/Bootp is first configured, the switch may not immediately receive the desired configuration.

After verifying that the server has become accessible to the switch, reboot the switch to re-start the process.

802.1Q Prioritization problems

Ports configured for non-default prioritization (level 1 to 7) are not performing the specified action

If the ports were placed in a trunk group after being configured for non-default prioritization, the priority setting was automatically reset to zero (the default). Ports in a trunk group operate only at the default priority setting.

Addressing ACL problems

ACLs are properly configured and assigned to VLANs, but the switch is not using the ACLs to filter IP layer 3 packets

Procedure

1. The switch may be running with IP routing disabled. To ensure that IP routing is enabled, execute `show running` and look for the IP routing statement in the resulting listing. For Example:
Indication that routing is enabled

```
switch(config)# show running  
Running configuration:  
; J9091A Configuration Editor; Created on release #XX.15.06  
hostname " HPswitch "  
ip default-gateway 10.33.248.1  
ip routing 1  
logging 10.28.227.2  
snmp-server community "public" Unrestricted  
ip access-list extended "Controls for VLAN 20"
```

```

permit tcp 0.0.0.0 255.255.255.255 10.10.20.98 0.0.0.0 eq 80
permit tcp 0.0.0.0 255.255.255.255 10.10.20.21 0.0.0.0 eq 80
deny tcp 0.0.0.0 255.255.255.255 10.10.20.1 0.0.0.255 eq 80
deny tcp 10.10.20.1? 0.0.0.0 10.10.10.100 0.0.0.0 eq 20 log
deny tcp 10.10.20.20 0.0.0.0 10.10.10.100 0.0.0.0 eq 20 log
deny tcp 10.10.20.43 0.0.0.0 10.10.10.100 0.0.0.0 eq 20 log
permit ip 10.10.20.1 0.0.0.255 10.10.10.100 0.0.0.0
deny ip 10.10.30.1 0.0.0.255 10.10.10.100 0.0.0.0
permit ip 10.10.30.1 0.0.0.255 10.10.10.1 0.0.0.255
exit

```

1

Indicates that routing is enabled, a requirement for ACL operation. (There is an exception. Refer to the **Note**, below.)



If an ACL assigned to a VLAN includes an ACE referencing an IP address on the switch itself as a packet source or destination, the ACE screens traffic to or from this switch address regardless of whether IP routing is enabled. This is a security measure designed to help protect the switch from unauthorized management access.

If you need to configure IP routing, execute the `ip routing` command.

2. ACL filtering on the switches applies only to routed packets and packets having a destination IP address (DA) on the switch itself.

Also, the switch applies assigned ACLs only at the point where traffic enters or leaves the switch on a VLAN. Ensure that you have correctly applied your ACLs ("in" and/or "out") to the appropriate VLANs.

The switch does not allow management access from a device on the same VLAN

The implicit `deny any` function that the switch automatically applies as the last entry in any ACL always blocks packets having the same DA as the switch's IP address on the same VLAN. That is, bridged packets with the switch itself as the destination are blocked as a security measure.

To preempt this action, edit the ACL to include an ACE that permits access to the switch's DA on that VLAN from the management device.

Error (Invalid input) when entering an IP address

When using the "host" option in the Command syntax, ensure that you are not including a mask in either dotted decimal or CIDR format. Using the "host" option implies a specific host device and therefore does not permit any mask entry.

Correctly and incorrectly specifying a single host

```

Switch(config)# access-list 6 permit host 10.28.100.100 1

Switch(config)# access-list 6 permit host 10.28.100.100 255.255.255.2552
Invalid input: 255.255.255.255

Switch(config)# access-list 6 permit host 10.28.100.100/32 3
Invalid input: 10.28.100.100/32

```

- ¹Correct.
- ²Incorrect. No mask needed to specify a single host.
- ³Incorrect. No mask needed to specify a single host.

Apparent failure to log all "deny" matches

Where the `log` statement is included in multiple ACEs configured with a "deny" option, a large volume of "deny" matches generating logging messages in a short period of time can impact switch performance. If it appears that the switch is not consistently logging all "deny" matches, try reducing the number of logging actions by removing the `log` statement from some ACEs configured with the "deny" action.

The switch does not allow any routed access from a specific host, group of hosts, or subnet

The implicit `deny any` function that the switch automatically applies as the last entry in any ACL may be blocking all access by devices not specifically permitted by an entry in an ACL affecting those sources. If you are using the ACL to block specific hosts, a group of hosts, or a subnet, but want to allow any access not specifically permitted, insert `permit any` as the last explicit entry in the ACL.

The switch is not performing routing functions on a VLAN

Two possible causes of this problem are:

- Routing is not enabled. If `show running` indicates that routing is not enabled, use the `ip routing` command to enable routing.
- An ACL may be blocking access to the VLAN (on a switch covered in this guide). Ensure that the switch's IP address on the VLAN is not blocked by one of the ACE entries in an ACL applied to that VLAN. A common mistake is to either not explicitly permit the switch's IP address as a DA or to use a wildcard ACL mask in a `deny` statement that happens to include the switch's IP address. For an Example: of this problem, see section "General ACL Operating Notes" in the "Access Control Lists (ACLs)" of the latest access security guide for your switch.

Routing through a gateway on the switch fails

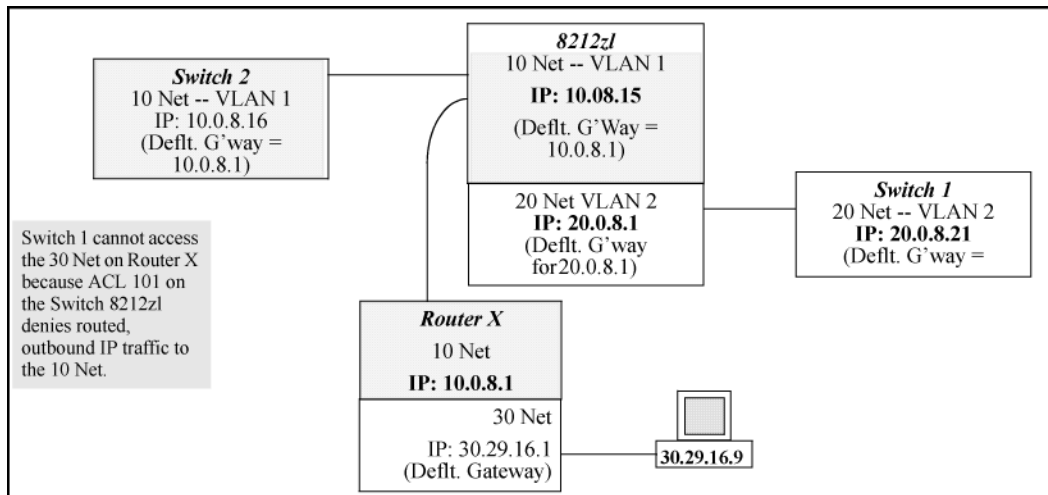
Configuring a "deny" ACE that includes a gateway address can block traffic attempting to use the gateway as a next-hop.

Remote gateway case

Configuring ACL "101" (example below) and applying it outbound on VLAN 1 in the figure below includes the router gateway (10.0.8.1) needed by devices on other networks. This can prevent the switch from sending ARP and other routing messages to the gateway router to support traffic from authorized remote networks.

In **Figure 109: Inadvertently blocking a gateway** on page 457, this ACE (see data in bold below) denies access to the 10 Net's 10.0.8.1 router gateway needed by the 20 Net (Subnet mask is 255.255.255.0). **See: example**

Figure 109: Inadvertently blocking a gateway



To avoid inadvertently blocking the remote gateway for authorized traffic from another network (such as the 20 Net in this Example):

Procedure

1. Configure an ACE that specifically permits authorized traffic from the remote network.
2. Configure narrowly defined ACEs to block unwanted IP traffic that would otherwise use the gateway; such ACEs might deny traffic for a particular application, particular hosts, or an entire subnet.
3. Configure a "permit any" ACE to specifically allow any IP traffic to move through the gateway.

ACE blocking an entire subnet

```
switch(config)# access-list config
ip access-list extended "101"
  deny ip 0.0.0.0 255.255.255.255 10.0.8.30 0.0.0.255
  permit ip 0.0.0.0 255.255.255.255 0.0.0.0 255.255.255.255
exit
```

Local gateway case

If you use the switch as a gateway for traffic you want routed between subnets, use these general steps to avoid blocking the gateway for authorized applications:

Procedure

1. Configure gateway security first for routing with specific permit and deny statements.
2. Permit authorized traffic.
3. Deny any unauthorized traffic that you have not already denied in step **1** on page 457.

IGMP-related problems

IP multicast (IGMP) traffic that is directed by IGMP does not reach IGMP hosts or a multicast router connected to a port

IGMP must be enabled on the switch and the affected port must be configured for "Auto" or "Forward" operation.

IP multicast traffic floods out all ports; IGMP does not appear to filter traffic

The IGMP feature does not operate if the switch or VLAN does not have an IP address configured manually or obtained through DHCP/Bootp. To verify whether an IP address is configured for the switch or VLAN, do one of the following:

- **Try using the WebAgent:** If you can access the WebAgent, then an IP address is configured.
- **Try to telnet to the switch console:** If you can Telnet to the switch, an IP address is configured.
- **Use the switch console interface:** From the Main Menu, check the Management Address Information screen by clicking on:
 1. **Status and Counters**
 2. **Switch Management Address Information**

LACP-related problems

Unable to enable LACP on a port with the `interface <port-number> lacp` command

In this case, the switch displays the following message:

```
Operation is not allowed for a trunked port.
```

You cannot enable LACP on a port while it is configured as a static Trunk port. To enable LACP on a static-trunked port:

Procedure

1. Use the `no trunk <port-number>` command to disable the static trunk assignment.
2. Execute `interface <port-number> lacp .`



Removing a port from a trunk without first disabling the port can create a traffic loop that can slow down or halt your network. Before removing a port from a trunk, Hewlett Packard Enterprise recommends that you either disable the port or disconnect it from the LAN.

Port-based access control (802.1X)-related problems



To list the 802.1X port-access Event Log messages stored on the switch, use `show log 802`.

See also [Radius-related problems](#) on page 461.

The switch does not receive a response to RADIUS authentication requests

In this case, the switch attempts authentication using the secondary method configured for the type of access you are using (console, Telnet, or SSH).

There can be several reasons for not receiving a response to an authentication request. Do the following:

- Use `ping` to ensure that the switch has access to the configured RADIUS servers.
- Verify that the switch is using the correct encryption key (RADIUS secret key) for each server.
- Verify that the switch has the correct IP address for each RADIUS server.
- Ensure that the `radius-server timeout` period is long enough for network conditions.

The switch does not authenticate a client even though the RADIUS server is properly configured and providing a response to the authentication request

If the RADIUS server configuration for authenticating the client includes a VLAN assignment, ensure that the VLAN exists as a static VLAN on the switch. See "How 802.1X Authentication Affects VLAN Operation" in the access security guide for your switch.

During RADIUS-authenticated client sessions, access to a VLAN on the port used for the client sessions is lost

If the affected VLAN is configured as untagged on the port, it may be temporarily blocked on that port during an 802.1X session. This is because the switch has temporarily assigned another VLAN as untagged on the port to support the client access, as specified in the response from the RADIUS server. See "How 802.1X Authentication Affects VLAN Operation" in the access security guide for your switch.

The switch appears to be properly configured as a supplicant, but cannot gain access to the intended authenticator port on the switch to which it is connected

If `aaa authentication port-access` is configured for Local, ensure that you have entered the local **login** (operator-level) username and password of the authenticator switch into the `identity` and `secret` parameters of the supplicant configuration. If instead, you enter the enable (manager-level) username and password, access will be denied.

The supplicant statistics listing shows multiple ports with the same authenticator MAC address

The link to the authenticator may have been moved from one port to another without the supplicant statistics having been cleared from the first port. See "Note on Supplicant Statistics" in the chapter on Port-Based and User-Based Access Control in the access security guide for your switch.

The `show port-access authenticator <port-list>` command shows one or more ports remain open after they have been configured with `control unauthorized`

802.1X is not active on the switch. After you execute `aaa port-access authenticator active`, all ports configured with `control unauthorized` should be listed as Closed.

Authenticator ports remain "open" until activated

```
switch(config)# show port-access authenticator e 9
Port Access Authenticator Status
  Port-access authenticator activated [No] : No
      Access Authenticator Authenticator
Port Status Control State Backend State
```

```

-----
9      Open  1  FU          Force Auth      Idle

Switch(config)# show port-access authenticator active
Switch(config)# show port-access authenticator e 9
Port Access Authenticator Status
  Port-access authenticator activated [No] : Yes
                Access Authenticator Authenticator
Port Status Control  State Backend  State
-----
9      Closed FU          Force Unauth     Idle

```

¹Port A9 shows an “Open” status even though Access Control is set to Unauthorized (Force Auth). This is because the port-access authenticator has not yet been activated.

RADIUS server fails to respond to a request for service, even though the server's IP address is correctly configured in the switch

Use `show radius` to verify that the encryption key (RADIUS secret key) the switch is using is correct for the server being contacted. If the switch has only a global key configured, it either must match the server key or you must configure a server-specific key. If the switch already has a server-specific key assigned to the server's IP address, it overrides the global key and must match the server key.

Displaying encryption keys

```

switch(config)# show radius
Status and Counters - General RADIUS Information
  Deadtme(min) : 0
  Timeout(secs) : 5
  Retransmit Attempts : 3
  Global Encryption Key : My-Global-Key
  Dynamic Authorization UDP Port : 3799

Server IP Addr  Auth Port  Acct Port  DM/ CoA  Time Window  Encryption Key
-----
10.33.18.119   1812 1813          ----- 119-only-key

```

Also, ensure that the switch port used to access the RADIUS server is not blocked by an 802.1X configuration on that port. For example, `show port-access authenticator <port-list>` gives you the status for the specified ports. Also, ensure that other factors, such as port security or any 802.1X configuration on the RADIUS server are not blocking the link.

The authorized MAC address on a port that is configured for both 802.1X and port security either changes or is re-acquired after execution of `aaa port-access authenticator <port-list> initialize`

If the port is force-authorized with `aaa port-access authenticator <port-list> control authorized` command and port security is enabled on the port, then executing `initialize` causes the port to clear the learned address and learn a new address from the first packet it receives after you execute `initialize`.

A trunked port configured for 802.1X is blocked

If you are using RADIUS authentication and the RADIUS server specifies a VLAN for the port, the switch allows authentication, but blocks the port. To eliminate this problem, either remove the port from the trunk or reconfigure the RADIUS server to avoid specifying a VLAN.

QoS-related problems

Loss of communication when using VLAN-tagged traffic

If you cannot communicate with a device in a tagged VLAN environment, ensure that the device either supports VLAN tagged traffic or is connected to a VLAN port that is configured as `Untagged`.

Radius-related problems

The switch does not receive a response to RADIUS authentication requests

In this case, the switch attempts authentication using the secondary method configured for the type of access you are using (console, Telnet, or SSH).

There can be several reasons for not receiving a response to an authentication request. Do the following:

- Use `ping` to ensure that the switch has access to the configured RADIUS server.
- Verify that the switch is using the correct encryption key for the designated server.
- Verify that the switch has the correct IP address for the RADIUS server.
- Ensure that the `radius-server timeout` period is long enough for network conditions.
- Verify that the switch is using the same UDP port number as the server.



Because of an inconsistency between the Windows XP 802.1x supplicant timeout value and the switch default timeout value, which is 5, when adding a backup RADIUS server, set the switch `radius-server timeout` value to 4. Otherwise, the switch may not failover properly to the backup RADIUS server.

RADIUS server fails to respond to a request for service, even though the server's IP address is correctly configured in the switch

Use `show radius` to verify that the encryption key the switch is using is correct for the server being contacted. If the switch has only a global key configured, it either must match the server key or you must configure a server-specific key. If the switch already has a server-specific key assigned to the server's IP address, it overrides the global key and must match the server key.

Global and unique encryption keys

```
Switch(config)# show radius
Status and Counters - General RADIUS Information
  Deadtme(min) : 0
  Timeout(secs) : 5
  Retransmit Attempts : 3
  Global Encryption Key : My-Global-Key 1
  Dynamic Authorization UDP Port : 3799

  Server IP Addr      Auth Port  Acct Port  DM/CoA  Window  Time  Encryption Key
  -----
  10.33.18.119       1812    1813      -----  -----  -----  119-only-key 2
```

- 1

- 2

Unique RADIUS Encryption Key for the RADIUS server at 10.33.18.119

MSTP and fast-uplink problems



If you enable MSTP, Hewlett Packard Enterprise recommends that you leave the remainder of the MSTP parameter settings at their default values until you have had an opportunity to evaluate MSTP performance in your network. Because incorrect MSTP settings can adversely affect network performance, you should avoid making changes without having a strong understanding of how MSTP operates. To learn the details of MSTP operation, see the IEEE802.1s standard.

Broadcast storms appearing in the network

This can occur when there are physical loops (redundant links) in the topology. Where this exists, you should enable MSTP on all bridging devices in the topology to detect the loop.

STP blocks a link in a VLAN even though there are no redundant links in that VLAN

In 802.1Q-compliant switches, MSTP blocks redundant physical links even if they are in separate VLANs. A solution is to use only one, multiple-VLAN (tagged) link between the devices. Also, if ports are available, you can improve the bandwidth in this situation by using a port trunk. See "Spanning Tree Operation with VLANs" in "Static Virtual LANs (VLANs)" in the advanced traffic management guide for your switch.

Fast-uplink troubleshooting

Some of the problems that can result from incorrect use of fast-uplink MSTP include temporary loops and generation of duplicate packets.

Problem sources can include:

- Fast-uplink is configured on a switch that is the MSTP root device.
- Either the `Hello Time` or the `Max Age` setting (or both) is too long on one or more switches. Return the `Hello Time` and `Max Age` settings to their default values (2 seconds and 20 seconds, respectively, on a switch).
- A "downlink" port is connected to a switch that is further away (in hop count) from the root device than the switch port on which fast-uplink MSTP is configured.
- Two edge switches are directly linked to each other with a fast-uplink (Mode = `Uplink`) connection.
- Fast uplink is configured on both ends of a link.
- A switch serving as a backup MSTP root switch has ports configured for fast-uplink MSTP and has become the root device because of a failure in the original root device.

SSH-related problems

Switch access refused to a client

Even though you have placed the client's public key in a text file and copied the file (using the `copy tftp pub-key-file` command) into the switch, the switch refuses to allow the client to have access. If the source SSH client is an SSHv2 application, the public key may be in the PEM format, which the switch (SSHv1) does not interpret. Check the SSH client application for a utility that can convert the PEM-formatted key into an ASCII-formatted key.

Executing IP SSH does not enable SSH on the switch

The switch does not have a host key. Verify by executing `show ip host-public-key`. If you see the message

```
ssh cannot be enabled until a host key is configured (use 'crypto' command).
```

you need to generate an SSH key pair for the switch. To do so, execute `crypto key generate` (see "Generating the switch's public and private key pair" in the SSH chapter of the access security guide for your switch.)

Switch does not detect a client's public key that does appear in the switch's public key file (show ip client-public-key)

The client's public key entry in the public key file may be preceded by another entry that does not terminate with a new line (CR). In this case, the switch interprets the next sequential key entry as simply a comment attached to the preceding key entry. Where a public key file has more than one entry, ensure that all entries terminate with a new line (CR). While this is optional for the last entry in the file, not adding a new line to the last entry creates an error potential if you either add another key to the file at a later time or change the order of the keys in the file.

An attempt to copy a client public-key file into the switch has failed and the switch lists one of the following messages

```
Download failed: overlength key in key file.
```

```
Download failed: too many keys in key file.
```

```
Download failed: one or more keys is not a valid RSA public key.
```

The public key file you are trying to download has one of the following problems:

- A key in the file is too long. The maximum key length is 1024 characters, including spaces. This could also mean that two or more keys are merged together instead of being separated by a <CR> <LF>.
- There are more than ten public keys in the key file.
- One or more keys in the file is corrupted or is not a valid rsa public key.

Client ceases to respond ("hangs") during connection phase

The switch does not support data compression in an SSH session. Clients often have compression turned on by default, but then disable it during the negotiation phase. A client that does not recognize the compression-request FAILURE response may fail when attempting to connect. Ensure that compression is turned **off** before attempting a connection to prevent this problem.

TACACS-related problems

Event Log

When troubleshooting TACACS+ operation, check the switch's Event Log for indications of problem areas.

All users are locked out of access to the switch

If the switch is functioning properly, but no username/password pairs result in console or Telnet access to the switch, the problem may be caused by how the TACACS+ server and/or the switch are configured. Use one of the following methods to recover:

- Access the TACACS+ server application and adjust or remove the configuration parameters controlling access to the switch.
- If the above method does not work, try eliminating configuration changes in the switch that have not been saved to flash (boot-up configuration) by causing the switch to reboot from the boot-up configuration (which includes only the configuration changes made prior to the last `write memory` command.) If you did not use `write memory` to save the authentication configuration to flash, pressing the `Reset` button reboots the switch with the boot-up configuration.
- Disconnect the switch from network access to any TACACS+ servers and then log in to the switch using either Telnet or direct console port access. Because the switch cannot access a TACACS+ server, it defaults to local authentication. You can then use the switch's local Operator or Manager username/password pair to log on.
- As a last resort, use the `Clear/Reset` button combination to reset the switch to its factory default boot-up configuration. Taking this step means you will have to reconfigure the switch to return it to operation in your network.

No communication between the switch and the TACACS+ server application

If the switch can access the server device (that is, it can `ping` the server), a configuration error may be the problem. Some possibilities include:

- The server IP address configured with the switch's `tacacs-server host` command may not be correct. (Use the switch's `show tacacs-server` command to list the TACACS+ server IP address.)
- The encryption key configured in the server does not match the encryption key configured in the switch (by using the `tacacs-server key` command). Verify the key in the server and compare it to the key configured in the switch. (Use `show tacacs-server` to list the global key. Use `show config` or `show config running` to list any server-specific keys.)
- The accessible TACACS+ servers are not configured to provide service to the switch.

Access is denied even though the username/password pair is correct

Some reasons for denial include the following parameters controlled by your TACACS+ server application:

- The account has expired.
- The access attempt is through a port that is not allowed for the account.
- The time quota for the account has been exhausted.
- The time credit for the account has expired.
- The access attempt is outside of the time frame allowed for the account.
- The allowed number of concurrent logins for the account has been exceeded.

For more help, see the documentation provided with your TACACS+ server application.

Unknown users allowed to login to the switch

Your TACACS+ application may be configured to allow access to unknown users by assigning them the privileges included in a *default user* profile. See the documentation provided with your TACACS+ server application.

System allows fewer login attempts than specified in the switch configuration

Your TACACS+ server application may be configured to allow fewer login attempts than you have configured in the switch with the `aaa authentication num-attempts` command.

TimeP, SNTP, or Gateway problems

The switch cannot find the time server or the configured gateway

TimeP, SNTP, and Gateway access are through the primary VLAN, which in the default configuration is the DEFAULT_VLAN. If the primary VLAN has been moved to another VLAN, it may be disabled or does not have ports assigned to it.

VLAN-related problems

Monitor port

When using the monitor port in a multiple-VLAN environment, the switch handles broadcast, multicast, and unicast traffic output from the monitor port as follows:

- If the monitor port is configured for tagged VLAN operation on the same VLAN as the traffic from monitored ports, the traffic output from the monitor port carries the same VLAN tag.
- If the monitor port is configured for untagged VLAN operation on the same VLAN as the traffic from the monitored ports, the traffic output from the monitor port is untagged.
- If the monitor port is not a member of the same VLAN as the traffic from the monitored ports, traffic from the monitored ports does not go out the monitor port.

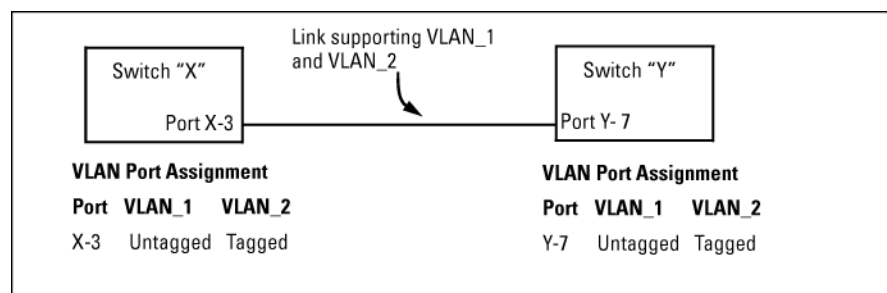
None of the devices assigned to one or more VLANs on an 802.1Q-compliant switch are being recognized

If multiple VLANs are being used on ports connecting 802.1Q-compliant devices, inconsistent VLAN IDs may have been assigned to one or more VLANs. For a given VLAN, the same VLAN ID must be used on all connected 802.1Q-compliant devices.

Link configured for multiple VLANs does not support traffic for one or more VLANs

One or more VLANs may not be properly configured as "Tagged" or "Untagged." A VLAN assigned to a port connecting two 802.1Q-compliant devices must be configured the same on both ports. For example, VLAN_1 and VLAN_2 use the same link between switch "X" and switch "Y," as shown in **Figure 110: Example: of correct VLAN port assignments on a link** on page 465.

Figure 110: Example: of correct VLAN port assignments on a link



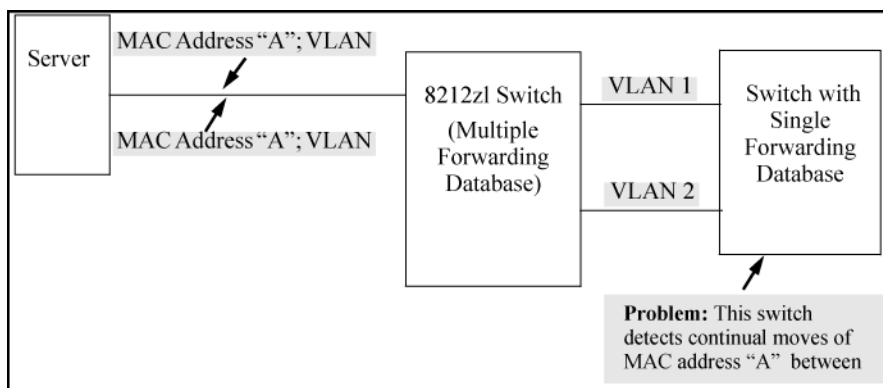
- If VLAN_1 (VID=1) is configured as "Untagged" on port 3 on switch "X," it must also be configured as "Untagged" on port 7 on switch "Y." Make sure that the VLAN ID (VID) is the same on both switches.
- Similarly, if VLAN_2 (VID=2) is configured as "Tagged" on the link port on switch "A," it must also be configured as "Tagged" on the link port on switch "B." Make sure that the VLAN ID (VID) is the same on both switches.

Duplicate MAC addresses across VLANs

The switches operate with multiple forwarding databases. Thus, duplicate MAC addresses occurring on different VLANs can appear where a device having one MAC address is a member of more than one 802.1Q VLAN, and the switch port to which the device is linked is using VLANs (instead of MSTP or trunking) to establish redundant links to another switch. If the other device sends traffic over multiple VLANs, its MAC address consistently appears in multiple VLANs on the switch port to which it is linked.

Be aware that attempting to create redundant paths through the use of VLANs causes problems with some switches. One symptom is that a duplicate MAC address appears in the Port Address Table of one port and then later appears on another port. While the switches have multiple forwarding databases and thus do not have this problem, some switches with a single forwarding database for all VLANs may produce the impression that a connected device is moving among ports because packets with the same MAC address but different VLANs are received on different ports. You can avoid this problem by creating redundant paths using port trunks or spanning tree.

Figure 111: Example: of duplicate MAC address



Disabled overlapping subnet configuration

Previous software versions allowed configuration of VLAN IP addresses in overlapping subnets which can cause incorrect routing of packets and result in IP communication failure. As of software version WB.15.09, overlapping subnet configurations are no longer allowed. An overlapping subnet is determined by the configuration order. The subnet that is configured first is valid, but any subsequent IP addresses that overlap are not allowed.

When the switch is booted into software version WB.15.09 or later, and the configuration file includes overlapping subnets, the following occurs:

- The event log provides an error message in the format:

```
ip: VLANx : IP initialization failed for vlan x.
```

For a multinetted VLAN (multiple IP addresses assigned to the VLAN), only the IP addresses that are overlapping subnets are removed. The other IP addresses on the VLAN are retained and function correctly. The error message can be somewhat misleading; the IP addresses on the VLAN that are not overlapping are initialized correctly.

- The output of the `show ip` command correctly indicates that the overlapping IP address does not exist on the VLANs that have error messages in the event log.

- The output of the `show running-config` command incorrectly indicates that the overlapping IP address is configured. In **Figure 112: An IP address that is not actually configured on the VLAN** on page 467, the IP address shown in VLAN6 is not actually configured on the VLAN; it has been removed.

Figure 112: *An IP address that is not actually configured on the VLAN*

```
switch(config)# show running-config

.
.
.
vlan 5
  name "VLAN5"
  ip address 11.22.33.1 255.0.0.0
  exit
vlan 6
  name "VLAN6"
  ip address 11.23.34.1 255.255.255.0
  exit
```

The information is retained in the config file to allow you to boot up the switch and have it function as it did when it was configured with earlier software that allows overlapping subnets. If you attempt to remove the overlapping subnet from the VLAN, the switch displays an error message similar to:

```
The IP address <ip-address> is not configured on this VLAN
```

This occurs because the overlapping IP address has been removed and is not visible to the switch. To resolve this:

- Enter the `show ip` command to determine which addresses are visible to the switch.
- Remove the erroneous IP addresses from the config file by entering the `no ip address` command to remove all the IP addresses from the specific VLAN. Be sure to document the other valid IP addresses on that VLAN so they can be restored after removing the erroneous IP addresses from the config file.

If you go back to a software version prior to WB.15.09 before removing the overlapping IP address, the prior software version enables the overlapping IP subnet.

Fan failure

Whenever a fan failure occurs, the Fan/Fault LEDs blink amber and a log entry is recorded. During a fan failure, all operational fans are automatically set to the maximum operating speed until the fan failure has been resolved. At that time, the fan speed is reset to the minimum operating speed.

Mitigating flapping transceivers

In traditional HPE switches, the state of a link is driven directly by the reported state of the port, which is required for rapid detection of link faults. However, the consequence of this is that a marginal transceiver, optical, or wire cabling, one that "flaps" up and down several times per second, can cause STP and other protocols to react poorly, resulting in a network outage. The link-flap option expands the functionality of the existing fault finder function to include a "link-flap" event and a new action of "warn-and-disable." Together, these additions allow the errant condition to be detected, and the port in question can be optionally disabled.

Syntax:

```
fault-finder <link-flap> sensitivity {<low | medium | high>} > action {<warn | warn-and-disable>}
```

Default settings: Sensitivity = Medium; Action = Warn

Sensitivity thresholds are static. In a 10-second window, if more than the threshold number of link state transitions (up or down) are detected, the event is triggered. The 10-second window is statically determined, that is, the counters are reset every 10 seconds, as opposed to being a sliding window. The counters are polled twice per second (every 500 milliseconds), and the event is triggered if the sensitivity threshold is crossed at that time.

The sensitivity thresholds are:

High	3 transitions in 10 seconds
Medium	6 transitions in 10 seconds
Low	10 transitions in 10 seconds

Configuring the link-flap event and corresponding action applies to all ports and port types (it is a global setting per FFI event type). Note that normal link transition protocols may prevent link state changes from occurring fast enough to trigger the event for some port types, configurations, and sensitivity settings.

When the link-flap threshold is met for a port configured for warn (For example, `fault-finder link-flap sensitivity medium action warn`), the following message is seen in the switch event log.

```
02672 FFI: port <number>-Excessive link state transitions
```

When the link-flap threshold is met for a port configured for warn-and-disable (For example, `fault-finder link-flap sensitivity medium action warn-and-disable`), the following messages are seen in the switch event log.

```
02672 FFI: port <number>-Excessive link state transitions
```

```
02673 FFI: port <number>-Port disabled by Fault-finder.
```

```
02674 FFI: port <number>-Administrator action required to re-enable.
```

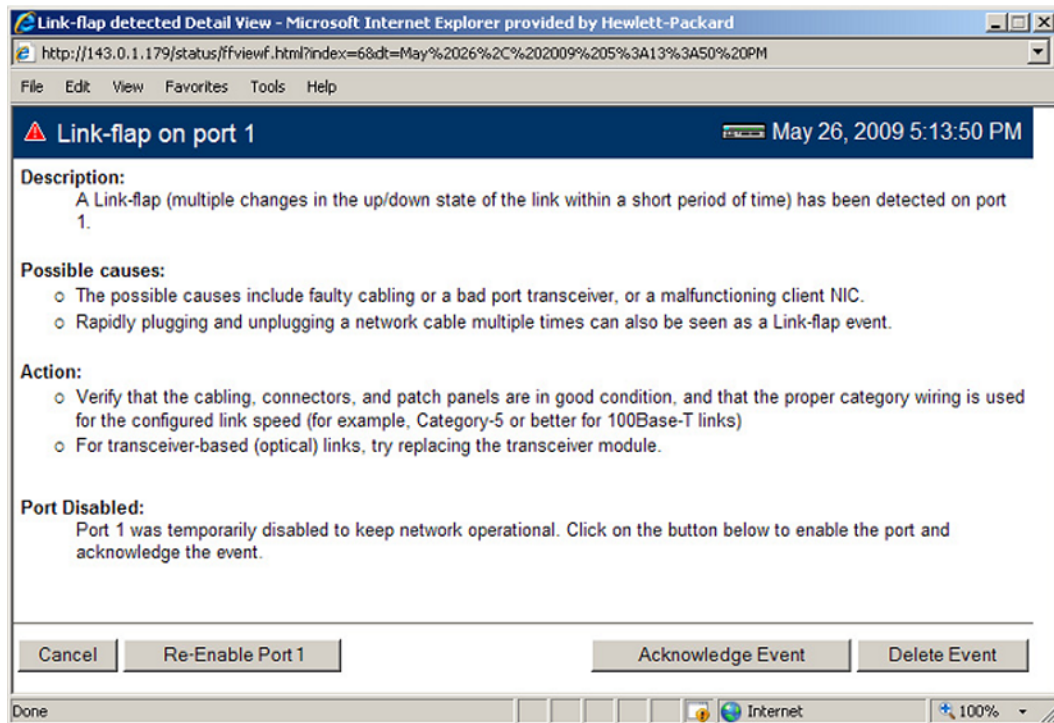
The warn-and-disable action is available for all fault-finder events on an individual basis. It may be used, For example, to disable a port when excessive broadcasts are received. Because the fault-generated disabling of a port requires operator intervention to re-enable the port, such configuration should be used with care. For example, link-flap-initiated disablement is not desired on ports that are at the client edge of the network, because link state changes there are frequent and expected.

Hewlett Packard Enterprise does not recommend automatic disabling of a port at the core or distribution layers when excessive broadcasts are detected, because of the potential to disable large parts of the network that may be uninvolved and for the opportunity to create a denial-of-service attack.

Within the Web Management interface, double-clicking an event on a port that was configured with warn-and-disable and that has met the threshold to trigger the disable action brings up a dialog box with the event details, as shown in **Figure 113: Link-flap on port 1 event detail dialog box** on page 469. The event dialog box now contains a button at the bottom of the page, which can be used to re-enable the disabled port. The button remains, even if the port has already been brought up through a prior exercise of it, or if the port was re-enabled

via some other interface (For example, the command line). Re-enabling an already enabled port has no effect. The button to acknowledge the event remains unchanged.

Figure 113: Link-flap on port 1 event detail dialog box



Fault finder thresholds

HPE switches feature automatic fault detection, which helps protect against network loops and defective equipment. The fault detection sensitivity setting determines the types of alerts reported to the Alert Log based on their level of severity or sensitivity. The sensitivity levels are:

- **High Sensitivity.**

This policy directs the switch to send all alerts to the Alert Log. This setting is most effective on networks that have none or few problems.

- **Medium Sensitivity.** This policy directs the switch to send alerts related to network problems to the Alert Log. If you want to be notified of problems which cause a noticeable slowdown on the network, use this setting.
- **Low Sensitivity.** This policy directs the switch to send only the most severe alerts to the Alert Log. This policy is most effective on a network where there are normally a lot of problems and you want to be informed of only the most severe ones
- **Disabled.** Disables the Alert Log and transmission of alerts (traps) to the management server (in cases where a network management tool such as ProCurve Manager is in use). Use this option when you don't want to use the Alert Log.

Enabling fault finder using the CLI

Enter this CLI command to enable fault detection:

Syntax:

```
[no] fault-finder [fault][sensitivity <low|medium|high>][action <warn|warn-and-disable>]
```

Enables or disables Fault Finder and sets sensitivity.

When the `warn-and-disable` action option is configured, Fault Finder may also shut down a bad port in addition to sending an alert to the Alert Log.

Default setting: `fault-finder sensitivity medium action warn`

[fault]: Supported values are:

- `all`: All fault types
- `bad-driver`: Too many undersized/giant packets
- `bad-transceiver`: Excessive jabbering
- `bad-cable`: Excessive CRC/alignment errors
- `too-long-cable`: Excessive late collisions
- `over-bandwidth`: High collision or drop rate
- `broadcast-storm`: Excessive broadcasts
- `duplex-mismatch-HDx`: Duplex mismatch. Reconfigure to Full Duplex
- `duplex-mismatch-FDx`: Duplex mismatch. Reconfigure port to Auto
- `link-flap`: Rapid detection of link faults and recoveries
- `loss-of-link`: Link loss detected. (Sensitivity not applicable)

Examples:

To set Fault Finder with a `high` sensitivity to issue a warning and then disable a port on which there is a high collision or drop rate, you could configure these options:

```
switch(config)# fault-finder over-bandwidth sensitivity
high action warn-and-disable
```

To set Fault Finder with a `medium` sensitivity to issue a warning about excessive CRC or alignment errors on a port, you could configure these options:

```
switch(config)# fault-finder bad-cable sensitivity
medium action warn
```

To set Fault Finder with a `low` sensitivity to issue a warning about rapid detection of link faults, you could configure these options:

```
switch(config)# fault-finder link-flap sensitivity
low action warn
```

To disable Fault Finder, enter this command:

```
switch(config)# no fault-finder all
```

Table 26: Fault finder sensitivities for supported conditions

Condition triggering fault finder	Sensitivities			Units (in packets)	Time period	Fault finder reacts:
	High	Medium	Low			
Bad driver — Too many under-sized packets or too many giant packets	6	21	36	1/10,000 Incoming	20 secs	If (undersized/total) >= (sensitivity/10,000) Or If (giant/total) >= (sensitivity/10,000)
Bad transceiver — Excessive jabbering - Jabbers: (Jabbers are packets longer than the MTU) - Fragments: (packets shorter than they should be)	65	2110	3614	1/10,000 Incoming One Fragments	20 secs 20 secs	If (jabbers/total) >= (sensitivity/10,000) Or If fragment count in the last 20 seconds >= sensitivity
Bad cable — Excessive CRC/alignment errors	6	21	36	1/10,000 Incoming	20 secs	If (CRC and alignment errors/ total) >= (sensitivity/10,000)
Too Long Cable — Excessive late collisions (a late collision error occurs after the first 512 bit times)	6	21	36	1/10,000 Outgoing	20 secs	If (late collisions/total) >= (sensitivity/10,000)

Table Continued

Condition triggering fault finder	Sensitivities			Units (in packets)	Time period	Fault finder reacts:
	665	21257	36449			
Over bandwidth - High collision rate - High drop rate	665	21257	36449	1/10,000 Outgoing Packet	5 mins	If (excessive collisions/ total) >= (sensitivity/ 10,000) The count of dropped packets >= sensitivity during the last 5 minutes.
Broadcast storm — Excessive broadcasts	2750	9200	15600	One Broadcast Packet	1 sec	If the average per second of broadcast packets in the last 20 seconds >= sensitivity
Duplex mismatch HDx	6	21	36	1/10,000 Outgoing	20 sec	If (late collisions/ total) >= (sensitivity/ 10,000)
Duplex mismatch FDx	6	21	36	1/10,000 Incoming	20 sec	If (CRC and alignment errors/ total) >= (sensitivity/ 10,000)
Link flap — Excessive transitions between link-up and link-down states.	4	7	11	One Transitions	10 secs	If the Transition count in the last 10s >= sensitivity.

Example: of sensitivity calculation:

If a sensitivity is set to High, and a bad cable is causing 15 CRC errors out of a total of 3500 packets transmitted in a 20 second period:

1. CRC errors/total must be >= (sensitivity/10,000) to trigger an alert.
2. CRC errors/total = 15/3500 = .00043
3. Sensitivity/10,000 = 6/10,000 = .0006
4. .00043 is not greater than or equal to .0006, so an alert is not triggered.

Viewing transceiver information

This feature provides the ability to view diagnostic monitoring information for transceivers with Diagnostic Optical Monitoring (DOM) support. The following table indicates the support level for specific transceivers:

Product #	Description	Support ¹
J8436A	10GbE X2-SC SR Optic	V
J8437A	10GbE X2-SC LR Optic	V
J8440B	10GbE X2-CX4 Xcver	NA
J8440C	10GbE X2-CX4 Xcver	NA
J4858A	Gigabit-SX-LC Mini-GBIC	V
J4858B	Gigabit-SX-LC Mini-GBIC	V
J4858C	Gigabit-SX-LC Mini-GBIC	V (some)
J9054B	100-FX SFP-LC Transceiver	N
J8177C	Gigabit 1000Base-T Mini-GBIC	NA
J9150A	10GbE SFP+ SR Transceiver	D
J9151A	10GbE SFP+ LR Transceiver	D
J9152A	10GbE SFP+ LRM Transceiver	D
J9153A	10GbE SFP+ ER Transceiver	D
J9144A	10GbE X2-SC LRM Transceiver	D
J8438A	10GbE X2-SC ER Transceiver	D
JH233A	40G QSFP+ MPO eSR4 Transceiver	V

Table Continued

Product #	Description	Support ¹
JH232A	40G QSFP+ LC LR4 SM Transceiver	V
JL308A	40G QSFP+BIDI	V
JH231A	40G QSFP+ MPO SR4 Transceiver	V

¹ Support indicators:

- V - Validated to respond to DOM requests
- N - No support of DOM
- D - Documented by the component suppliers as supporting DOM
- NA - Not applicable to the transceiver (copper transceiver)



Not all transceivers support Digital Optical Monitoring. If DOM appears in the Diagnostic Support field of the `show interfaces transceiver detail` command, or the `hpicfTransceiverMIB` `hpicfXcvrDiagnostics` MIB object, DOM is supported for that transceiver.

Viewing information about transceivers (CLI)

Syntax:

```
show interfaces transceiver [port-list] [detail]
```

Displays information about the transceivers. If a port is specified, displays information for the transceiver in that port.

[detail]	Displays detailed transceiver information.
----------	--

MIB support

The `hpicfTransceiver` MIB is available for displaying transceiver information.

Viewing transceiver information

The transceiver information displayed depends on the `show` command executed.

The output for `show interfaces transceiver [port-list]` is shown below. You can specify multiple ports, separated by commas, and the information for each transceiver will display.

Output for a specified transceiver

```
switch(config)# show interfaces transceiver 21
```

```
Transceiver Technical information:
```

Port	Type	Product Number	Serial Number	Part Number
------	------	----------------	---------------	-------------

```
-----  
21      1000SX      J4858C      MY050VM9WB      1990-3657
```

If there is no transceiver in the port specified in the command, the output displays as shown below.

Output when no transceiver is present in specified interface

```
switch(config)# show interfaces transceiver 22
```

```
No Transceiver found on interface 22
```

When no ports are specified, information for all transceivers found is displayed.

Output when no ports are specified

```
switch(config)# show interfaces transceiver
```

```
Transceiver Technical information:
```

Port	Type	Product Number	Serial Number	Part Number
21	1000SX	J4858C	MY050VM9WB	1990-3657
22	1000SX	J4858B	P834DIP2	

You can specify all for port-list as shown below.

Output when “all” is specified

```
switch(config)# show interfaces transceiver all
```

```
No Transceiver found on interface 1
```

```
No Transceiver found on interface 2
```

```
.
```

```
.
```

```
No Transceiver found on interface 24
```

```
Transceiver Technical information:
```

Port	Type	Product Number	Serial Number	Part Number
21	1000SX	J4858C	MY050VM9WB	1990-3657
22	1000SX	J4858B	P834DIP2	

Information displayed with the detail parameter

When the `show interfaces transceiver [port-list] detail` command is executed, the following information displays.

Table 27: General transceiver information

Parameter	Description
Interface Index	The switch interface number
Transceiver-type	Pluggable transceiver type
Transceiver model	Pluggable transceiver model
Connector-type	Type of connector of the transceiver
Wavelength	For an optical transceiver: the central wavelength of the laser sent, in nm. If the transceiver supports multiple wavelengths, the values will be separated by a comma.
Transfer Distance	Link-length supported by the transceiver in meters. The corresponding transfer medium is shown in brackets following the transfer distance value, For example, 50um multimode fiber. If the transceiver supports multiple transfer media, the values are separated by a comma.
Diagnostic Support	Shows whether the transceiver supports diagnostics: None Supported DOM Supported VCT Supported
Serial Number	Serial number of the transceiver

The information in the next three tables is only displayed when the transceiver supports DOM.

Table 28: DOM information

Parameter	Description
Temperature	Transceiver temperature (in degrees Centigrade)
Voltage	Supply voltage in transceiver (Volts)
Bias	Laser bias current (mA)
RX power	Rx power (mW and dBm))
TX power	Tx power (mW and dBm)

The alarm information for GBIC/SFP transceivers is shown in this table.

Table 29: Alarm and error information (GBIC/SFP transceivers only)

Alarm	Description
RX loss of signal	Incoming (RX) signal is lost
RX power high	Incoming (RX) power level is high
RX power low	Incoming (RX) power level is low
TX fault	Transmit (TX) fault
TX bias high	TX bias current is high
TX bias low	TX bias current is low
TX power high	TX power is high
TX power low	TX power is low
Temp high	Temperature is high
Temp low	Temperature is low
Voltage High	Voltage is high
Voltage Low	Voltage is low

The alarm information for XENPAK transceivers is shown in this table.

Table 30: Alarm and error information (XENPAK transceivers)

Alarm	Description
WIS local fault	WAN Interface Sublayer local fault
Receive optical power fault	Receive optical power fault
PMA/PMD receiver local fault	Physical Medium Attachment/Physical Medium Dependent receiver local fault
PCS receiver local fault	Physical Coding Sublayer receiver local fault
PHY XS receive local fault	PHY Extended Sublayer receive local fault
RX power high	RX power is high
RX power low	RX power is low
Laser bias current fault	Laser bias current fault

Table Continued

Alarm	Description
Laser temperature fault	Laser temperature fault
Laser output power fault	Laser output power fault
TX fault	TX fault
PMA/PMD transmitter local fault	PMA/PMD transmitter local fault
PCS Transmit local fault	PCS transmit local fault
PHY XS transmit local fault	PHY SX transmit local fault
TX bias high	TX bias current is high
TX bias low	TX bias current is low
TX power high	TX power is high
TX power low	TX power is low
Temp high	Temperature is high
Temp low	Temperature is low

An Example: of the output for the show interfaces transceiver [port-list] detail for a 1000SX transceiver is shown below.

Detailed information for a 1000SX Mini-GBIC transceiver

```
switch(config)# show interfaces transceiver 21 detail
```

```
Transceiver in 21
Interface index      : 21
Type                 : 1000SX
Model                : J4858C
Connector type      : LC
Wavelength           : 850nm
Transfer distance    : 300m (50um), 150m (62.5um),
Diagnostic support   : DOM
Serial number        : MY050VM9WB
```

```
Status
Temperature          : 50.111C
Voltage              : 3.1234V
TX Bias              : 6mA
TX Power             : 0.2650mW, -5.768dBm
RX Power             : 0.3892mW, -4.098dBm
```

```
Time stamp          : Mon Mar 7 14:22:13 2011
```

An Example: of the output for a 10GbE-LR transceiver is shown below.

Detailed information for a 10GbE-LR transceiver

```
switch(config)# show interfaces transceiver 23 detail
```

```
Transceiver in 23
Interface Index   : 24
Type              : 10GbE-LR
Model             : J8437A
Connector type    : SC
Wavelength        : Channel #0: 1310nm, #1:0nm, #2:0nm, #3:0nm
Transfer distance : 10000m (SM)
Diagnostic support: DOM
Serial number     : ED456SS987
```

Status

```
Temperature : 32.754C
TX Bias      : 42.700mA
TX Power     : 0.5192mW, -2.847dBm
RX Power     : 0.0040mW, -23.979dBm
```

Recent Alarms:

```
Rx power low alarm
Rx power low warning
```

Recent errors:

```
Receive optical power fault
PMA/PMD receiver local fault
PMA/PMD transmitter local fault
PCS receive local fault
PHY XS transmit local fault
```

```
Time stamp : Mon Mar 7 16:26:06 2013
```

Viewing transceiver information for copper transceivers with VCT support

This feature provides the ability to view diagnostic monitoring information for copper transceivers with Virtual Cable Test (VCT) support. The cable quality of the copper cables connected between transceivers can be ascertained using the transceiver cable diagnostics. Results of the diagnostics are displayed with the appropriate CLI show commands and with SNMP using the hpicfTransceiver MIB.

The J8177C 1000Base-T Mini-GBIC is supported.

Testing the Cable

Enter the `test cable-diagnostics` command in any context to begin cable diagnostics for the transceiver. The diagnostic attempts to identify cable faults. The tests may take a few seconds to complete for each interface. There is the potential of link loss during the diagnostic.

Syntax:

```
test cable-diagnostics [port-list]
```

Invokes cable diagnostics and displays the results.

Output from test cable-diagnostics command

```
HP Switch # test cable-diagnostics a23-a24
```

The 'test cable-diagnostics' command will cause a loss of link and will take a few seconds per interface to complete.

```
Continue (Y/N)? y
```

MDI Port	Cable Pair	Distance Status	Pair to Fault	Pair Skew	MDI Polarity	MDI Mode
A23	1-2	OK	0 m	6 ns	Normal	MDIX
	3-6	OK	0 m	0 ns	Normal	
	4-5	OK	0 m	6 ns	Normal	MDIX
	7-8	OK	0 m	6 ns	Normal	
A24	1-2	Short	2 m			
	3-6	Impedance	3 m			
	4-5	Impedance	3 m			
	7-8	Open	1 m			

Copper cable diagnostic test results

```
switch# show interfaces transceiver a23 detail
```

```
Transceiver in A23
```

```
Interface Index   : 23  
Type              : 1000T-sfp  
Model             : J8177C  
Connector Type    : RJ45  
Wavelength        : n/a  
Transfer Distance : 100m (copper),  
Diagnostic Support : VCT  
Serial Number     : US051HF099
```

```
Link Status       : Up  
Speed             : 1000  
Duplex            : Full
```

Port	MDI Pair	Cable Status	Distance to Fault	Pair Skew	MDI Polarity	MDI Mode
A23	1-2	OK	0 m	6 ns	Normal	MDIX
	3-6	OK	0 m	0 ns	Normal	
	4-5	OK	0 m	6 ns	Normal	MDIX
	7-8	OK	0 m	6 ns	Normal	

```
Test Last Run    : Fri Apr 22 20:33:23 2011
```

General transceiver information

Parameter	Description
Interface Index	The switch interface number
Transceiver-type	Pluggable transceiver type
Transceiver model	Pluggable transceiver model

Table Continued

Parameter	Description
Connector-type	Type of connector of the transceiver
Wavelength	For an optical transceiver: the central wavelength of the laser sent, in nm. If the transceiver supports multiple wavelengths, the values will be separated by a comma. An electrical transceiver value is displayed as N/A.
Transfer Distance	Link-length supported by the transceiver in meters. The corresponding transfer medium is shown in brackets following the transfer distance value, For example, 50um multimode fiber. If the transceiver supports multiple transfer media, the values are separated by a comma.
Diagnostic Support	Shows whether the transceiver supports diagnostics: None Supported DOM Supported VCT Supported
Serial Number	Serial number of the transceiver
Link Status	Link up or down
Speed	Speed of transceiver in Mbps
Duplex	Type of duplexing
Cable Status	Values are OK, Open, Short, or Impedance
Distance to Fault	The distance in meters to a cable fault (accuracy is +/- 2 meters); displays 0 (zero) if there is no fault
Pair Skew	Difference in propagation between the fastest and slowest wire pairs
Pair Polarity	Signals on a wire pair are polarized, with one wire carrying the positive signal and one carrying the negative signal.
MDI Mode	The MDI crossover status of the two wire pairs (1&2, 3&6, 4&5, 7&8), will be either MDI or MDIX

Viewing transceiver information

This feature provides the ability to view diagnostic monitoring information for transceivers with Diagnostic Optical Monitoring (DOM) support. The following table indicates the support level for specific transceivers:

Product #	Description	Support ¹
J8436A	10GbE X2-SC SR Optic	V
J8437A	10GbE X2-SC LR Optic	V
J8440B	10GbE X2-CX4 Xcver	NA
J8440C	10GbE X2-CX4 Xcver	NA
J4858A	Gigabit-SX-LC Mini-GBIC	V
J4858B	Gigabit-SX-LC Mini-GBIC	V
J4858C	Gigabit-SX-LC Mini-GBIC	V (some)
J9054B	100-FX SFP-LC Transceiver	N
J8177C	Gigabit 1000Base-T Mini-GBIC	NA
J9150A	10GbE SFP+ SR Transceiver	D
J9151A	10GbE SFP+ LR Transceiver	D
J9152A	10GbE SFP+ LRM Transceiver	D
J9153A	10GbE SFP+ ER Transceiver	D
J9144A	10GbE X2-SC LRM Transceiver	D
J8438A	10GbE X2-SC ER Transceiver	D

¹ Support indicators:

- V - Validated to respond to DOM requests
- N - No support of DOM
- D - Documented by the component suppliers as supporting DOM
- NA - Not applicable to the transceiver (copper transceiver)



Not all transceivers support Digital Optical Monitoring. If DOM appears in the Diagnostic Support field of the `show interfaces transceiver detail` command, or the `hpicfTransceiverMIB` `hpicfXcvrDiagnostics` MIB object, DOM is supported for that transceiver.

Using the Event Log for troubleshooting switch problems

The Event Log records operating events in single- or double-line entries and serves as a tool to isolate and troubleshoot problems.

Once the log has received 2000 entries, it discards the oldest message each time a new message is received. The Event Log window contains 14 log entry lines. You can scroll through it to view any part of the log.

Once the log has received 2000 entries, it discards the oldest message each time a new message is received. The Event Log window contains 14 log-entry lines. You can scroll through it to view any part of the log.



The Event Log is **erased** if power to the switch is interrupted or if you enter the `boot system` command. The contents of the Event Log are **not** erased if you:

- Reboot the switch by choosing the **Reboot Switch** option from the menu interface.
- Enter the `reload` command from the CLI.

Event Log entries

As shown in **Figure 114: Format of an event log entry** on page 483, each Event Log entry is composed of six or seven fields, depending on whether numbering is turned on or not:

Figure 114: *Format of an event log entry*

Severity	Date	Time	Event number	System	Module	Management Module	Event Message
M	10/28/09	21:45:42	03002	system:	AM1:	System reboot due to	Reset Switch

Item	Description
Severity	One of the following codes (from highest to lowest severity): M —(major) indicates that a fatal switch error has occurred. E —(error) indicates that an error condition occurred on the switch. W —(warning) indicates that a switch service has behaved unexpectedly. I —(information) provides information on normal switch operation. D —(debug) is reserved for HPE internal diagnostic information.
Date	The date in the format mm/dd/yy when an entry is recorded in the log.
Time	The time in the format hh:mm:ss when an entry is recorded in the log.
Event number	The number assigned to an event. You can turn event numbering on and off with the <code>[no] log-number</code> command.

Table Continued

System module	The internal module (such as "ports:" for port manager) that generated a log entry. If VLANs are configured, a VLAN name also appears for an event that is specific to an individual VLAN.
Event message	A brief description of the operating event.

Table 31: Event Log system modules

System module	Description	Documented in HPE Switch hardware/software guide
802.1x	<p>802.1X authentication: Provides access control on a per-client or per-port basis:</p> <ul style="list-style-type: none"> Client-level security that allows LAN access to 802.1X clients (up to 32 per port) with valid user credentials Port-level security that allows LAN access only on ports on which a single 802.1X-capable client (supplicant) has entered valid RADIUS user credentials 	<i>Access Security Guide</i>
acl	<p>ACLs: Filter layer-3 IP traffic to or from a host to block unwanted IP traffic and block or limit other protocol traffic such as TCP, UDP, IGMP, and ICMP. ACEs specify the filter criteria and an action (permit or deny) to take on a packet if it meets the criteria.</p>	<i>Advanced Traffic Management Guide</i>
addrmgr	<p>Address Table Manager: Manages MAC addresses that the switch has learned and are stored in the switch's address table.</p>	<i>Management and Configuration Guide</i>
arp-protect	<p>Dynamic ARP Protection: Protects the network from ARP cache poisoning. Only valid ARP requests and responses are relayed or used to update the local ARP cache. ARP packets with invalid IP-to-MAC address bindings advertised in the source protocol address and source physical address fields are discarded.</p>	<i>Access Security Guide</i>

Table Continued

System module	Description	Documented in HPE Switch hardware/software guide
auth	Authorization: A connected client must receive authorization through web, AMC, RADIUS-based, TACACS+-based, or 802.1X authentication before it can send traffic to the switch.	<i>Access Security Guide</i>
cdp	Cisco Discovery Protocol: Supports reading CDP packets received from neighbor devices, enabling a switch to learn about adjacent CDP devices. HPE does not support the transmission of CDP packets to neighbor devices.	<i>Management and Configuration Guide</i>
chassis	Hardware operation, including modules and ports, power supply, fans, transceivers, CPU interrupt errors, switch temperature, and so on. Chassis messages include events on Power Over Ethernet (POE) operation.	<i>Installation and Getting Started Guide</i> <i>Management and Configuration Guide</i>
connfilt	Connection-rate filtering: Used on the network edge to protect the network from attack by worm-like malicious code by detecting hosts that are generating IP traffic that exhibits this behavior and (optionally) either throttling or dropping all IP traffic from the offending hosts. Connection-rate filtering messages include events on virus throttling. Virus throttling uses connection-rate filtering to stop the propagation of malicious agents.	<i>Access Security Guide</i>
console	Console interface used to monitor switch and port status, reconfigure the switch, and read the event log through an in-band Telnet or out-of-band connection.	<i>Installation and Getting Started Guide</i>

Table Continued

System module	Description	Documented in HPE Switch hardware/software guide
cos	Class of Service (CoS): Provides priority handling of packets traversing the switch, based on the IEEE 802.1p priority carried by each packet. CoS messages also include QoS events. The QoS feature classifies and prioritizes traffic throughout a network, establishing an end-to-end traffic priority policy to manage available bandwidth and improve throughput of important data.	<i>Advanced Traffic Management Guide</i>
dca	Dynamic Configuration Arbiter (DCA) determines the client-specific parameters that are assigned in an authentication session.	<i>Access Security Guide</i>
dhcp	Dynamic Host Configuration Protocol (DHCP) server configuration: Switch is automatically configured from a DHCP (Bootp) server, including IP address, subnet mask, default gateway, Timep Server address, and TFTP server address.	<i>Management and Configuration Guide</i>
dhcp v6c	DHCP for IPv6 prefix assignment	<i>IPv6 Configuration Guide</i>
dhcpr	DHCP relay: Forwards client-originated DHCP packets to a DHCP network server.	<i>Advanced Traffic Management Guide</i>
download	Download operation for copying a software version or files to the switch.	<i>Management and Configuration Guide</i>
dhcp-snoop	DHCP snooping: Protects your network from common DHCP attacks, such as address spoofing and repeated address requests.	<i>Access Security Guide</i>
dma	Direct Access Memory (DMA): Transmits and receives packets between the CPU and the switch.	—
fault	Fault Detection facility, including response policy and the sensitivity level at which a network problem should generate an alert.	<i>Management and Configuration Guide</i>

Table Continued

System module	Description	Documented in HPE Switch hardware/software guide
fdr-log	FDR collects information that is “interesting” at the time of the crash, as well as when the switch is misbehaving, but has not crashed. Runtime logs are written to FDR memory while the switch is running, and crashtime logs are collected and stored in the FDR buffer during a switch crash.	<i>Management and Configuration Guide</i>
ffi	Find, Fix, and Inform: Event or alert log messages indicating a possible topology loop that causes excessive network activity and results in the network running slow. FFI messages include events on transceiver connections with other network devices.	<i>Installation and Getting Started Guide</i> <i>Management and Configuration Guide</i>
garp	Generic Attribute Registration Protocol (GARP), defined in the IEEE 802.1D-1998 standard.	<i>Advanced Traffic Management Guide</i>
gvrp	GARP VLAN Registration Protocol (GVRP): Manages dynamic 802.1Q VLAN operations, in which the switch creates temporary VLAN membership on a port to provide a link to another port in the same VLAN on another device.	<i>Advanced Traffic Management Guide</i>
hpesp	Management module that maintains communication between switch ports.	<i>Installation and Getting Started Guide</i>
idm	Identity-driven Management: Optional management application used to monitor and control access to switch.	<i>Advanced Traffic Management Guide</i>
igmp	Internet Group Management Protocol: Reduces unnecessary bandwidth usage for multicast traffic transmitted from multimedia applications on a per-port basis.	<i>Multicast and Routing Guide</i>
inst-mon	Instrumentation Monitor: Identifies attacks on the switch by generating alerts for detected anomalies.	<i>Access Security Guide</i>

Table Continued

System module	Description	Documented in HPE Switch hardware/software guide
ip	IP addressing: Configures the switch with an IP address and subnet mask to communicate on the network and support remote management access; configures multiple IP addresses on a VLAN; enables IP routing on the switch.	<i>Management and Configuration Guide</i> <i>Multicast and Routing Guide</i>
ipaddrmgr	IP Address Manager: Programs IP routing information in switch hardware.	<i>Multicast and Routing Guide</i>
iplock	IP Lockdown: Prevents IP source address spoofing on a per-port and per-VLAN basis by forwarding only the IP packets in VLAN traffic that contain a known source IP address and MAC address binding for the port.	<i>Access Security Guide</i>
ipx	Novell Netware protocol filtering: On the basis of protocol type, the switch can forward or drop traffic to a specific set of destination ports on the switch.	<i>Access Security Guide</i>
kms	Key Management System: Configures and maintains security information (keys) for all routing protocols, including a timing mechanism for activating and deactivating an individual protocol.	<i>Access Security Guide</i>
lACP	LACP trunks: The switch can either automatically establish an 802.3ad-compliant trunk group or provide a manually configured, static LACP trunk.	<i>Management and Configuration Guide</i>

Table Continued

System module	Description	Documented in HPE Switch hardware/software guide
ldbal	Load balancing in LACP port trunks or 802.1s Multiple Spanning Tree protocol (MSTP) that uses VLANs in a network to improve network resource utilization and maintain a loop-free environment. Load-balancing messages also include switch meshing events. The switch meshing feature provides redundant links, improved bandwidth use, and support for different port types and speeds.	<i>Management and Configuration Guide</i> <i>Advanced Traffic Management Guide</i>
lldp	Link-Layer Discovery Protocol: Supports transmitting LLDP packets to neighbor devices and reading LLDP packets received from neighbor devices, enabling a switch to advertise itself to adjacent devices and to learn about adjacent LLDP devices.	<i>Management and Configuration Guide</i>
loop_protect	Loop protection: Detects the formation of loops when an unmanaged device on the network drops spanning tree packets and provides protection by transmitting loop protocol packets out ports on which loop protection has been enabled.	<i>Advanced Traffic Management Guide</i>
macauth	Web and MAC authentication: Port-based security employed on the network edge to protect private networks and the switch itself from unauthorized access using one of the following interfaces: <ul style="list-style-type: none"> • Web page login to authenticate users for access to the network • RADIUS server that uses a device's MAC address for authentication 	<i>Access Security Guide</i>

Table Continued

System module	Description	Documented in HPE Switch hardware/software guide
maclock	<p>MAC lockdown and MAC lockout</p> <ul style="list-style-type: none"> • MAC lockdown prevents station movement and MAC address "hijacking" by requiring a MAC address to be used only on an assigned port on the switch. MAC Lockdown also restricts the client device to a specific VLAN. • MAC lockout blocks a specific MAC address so that the switch drops all traffic to or from the specified address. 	<i>Access Security Guide</i>
mgr	Windows-based network management solutions for managing and monitoring performance of HPE switches.	<i>Management and Configuration Guide</i>
mld	Multicast Listener Discovery (MLD): IPv6 protocol used by a router to discover the presence of multicast listeners. MLD can also optimize IPv6 multicast traffic flow with the snooping feature.	<i>Multicast and Routing Guide</i>
mtm	Multicast Traffic Manager (MTM): Controls and coordinates L3 multicast traffic for upper layer protocols.	<i>Multicast and Routing Guide</i>
netinet	Network Internet: Monitors the creation of a route or an Address Resolution Protocol (ARP) entry and sends a log message in case of failure.	<i>Advanced Traffic Management Guide</i>
pagp	Ports Aggregation Protocol (PAgP): Obsolete. Replaced by LACP (802.3ad).	—

Table Continued

System module	Description	Documented in HPE Switch hardware/software guide
ports	<p>Port status and port configuration features, including mode (speed and duplex), flow control, broadcast limit, jumbo packets, and security settings.</p> <p>Port messages include events on POE operation and transceiver connections with other network devices.</p>	<p><i>Installation and Getting Started Guide</i></p> <p><i>Management and Configuration Guide</i></p> <p><i>Access Security Guide</i></p>
radius	<p>RADIUS (Remote Authentication Dial-In User Service) authentication and accounting: A network server is used to authenticate user-connection requests on the switch and collect accounting information to track network resource usage.</p>	<p><i>Access Security Guide</i></p>
ratelim	<p>Rate-limiting: Enables a port to limit the amount of bandwidth a user or device may utilize for inbound traffic on the switch.</p>	<p><i>Management and Configuration Guide</i></p>
sflow	<p>Flow sampling: sFlow is an industry standard sampling technology, defined by RFC 3176, used to continuously monitor traffic flows on all ports providing network-wide visibility into the use of the network.</p>	<p><i>Management and Configuration Guide</i></p>
snmp	<p>Simple Network Management Protocol: Allows you to manage the switch from a network management station, including support for security features, event reporting, flow sampling, and standard MIBs.</p>	<p><i>Management and Configuration Guide</i></p>
sntp	<p>Simple Network Time Protocol: Synchronizes and ensures a uniform time among interoperating devices.</p>	<p><i>Management and Configuration Guide</i></p>

Table Continued

System module	Description	Documented in HPE Switch hardware/software guide
ssh	Secure Shell version 2 (SSHv2): Provides remote access to management functions on a switch via encrypted paths between the switch and management station clients capable of SSH operation. SSH messages also include events from the Secure File Transfer Protocol (SFTP) feature. SFTP provides a secure alternative to TFTP for transferring sensitive information, such as switch configuration files, to and from the switch in an SSH session.	<i>Access Security Guide</i>
ssl	Secure Socket Layer Version 3 (SSLv3), including Transport Layer Security (TLSv1) support: Provides remote web access to a switch via encrypted paths between the switch and management station clients capable of SSL/TLS operation.	<i>Access Security Guide</i>
stack	Stack management: Uses a single IP address and standard network cabling to manage a group (up to 16) of switches in the same IP subnet (broadcast domain), resulting in a reduced number of IP addresses and simplified management of small workgroups for scaling your network to handle increased bandwidth demand.	<i>Advanced Traffic Management Guide</i>
stp	Multiple-instance spanning tree protocol/MSTP (802.1s): Ensures that only one active path exists between any two nodes in a group of VLANs in the network. MSTP operation is designed to avoid loops and broadcast storms of duplicate messages that can bring down the network.	<i>Advanced Traffic Management Guide</i>

Table Continued

System module	Description	Documented in HPE Switch hardware/software guide
system	<p>Switch management, including system configuration, switch bootup, activation of boot ROM image, memory buffers, traffic and security filters.</p> <p>System messages also include events from management interfaces (menu and CLI) used to reconfigure the switch and monitor switch status and performance.</p>	<p><i>Basic Operation Guide</i></p> <p><i>Access Security Guide</i></p>
tacacs	TACACS+ authentication: A central server is used to control access to the switches (and other TACACS-aware devices) in the network through a switch's console port (local access) or Telnet (remote access).	<i>Access Security Guide</i>
tcp	Transmission Control Protocol: A transport protocol that runs on IP and is used to set up connections.	<i>Advanced Traffic Management Guide</i>
telnet	Session established on the switch from a remote device through the Telnet virtual terminal protocol.	<i>Basic Operation Guide</i>
tftp	Trivial File Transfer Protocol: Supports the download of files to the switch from a TFTP network server.	<i>Basic Operation Guide</i>
timep	Time Protocol: Synchronizes and ensures a uniform time among interoperating devices.	<i>Management and Configuration Guide</i>
udld	Uni-directional Link Detection: Monitors a link between two switches and blocks the ports on both ends of the link if the link fails at any point between the two devices.	<i>Access Security Guide</i>
udpf	UDP broadcast forwarding: Supports the forwarding of client requests sent as limited IP broadcasts addressed to a UDP application port on a network server.	<i>Multicast and Routing Guide</i>

Table Continued

System module	Description	Documented in HPE Switch hardware/software guide
update	Updates (TFTP or serial) to HPE switch software and updates to running-config and start-up config files	<i>Basic Operation Guide</i>
vlan	<p>Static 802.1Q VLAN operations, including port-and protocol-based configurations that group users by logical function instead of physical location</p> <ul style="list-style-type: none"> • A port-based VLAN creates a layer-2 broadcast domain comprising member ports that bridge IPv4 traffic among themselves. • A protocol-based VLAN creates a layer-3 broadcast domain for traffic of a particular routing protocol, and comprises member ports that bridge traffic of the specified protocol type among themselves. <p>VLAN messages include events from management interfaces (menu and CLI) used to reconfigure the switch and monitor switch status and performance.</p>	<i>Advanced Traffic Management Guide</i>
xmodem	Xmodem: Binary transfer feature that supports the download of software files from a PC or UNIX workstation.	<i>Basic Operation Guide</i>

Using the Menu

To display the Event Log from the Main Menu, select `Event Log`. The following example shows a sample event log display.

An event log display

```
Switch 5406z1                               25-Oct-2013  18:02:52
=====--CONSOLE -  MANAGER MODE -
=====
M 10/25/13 16:30:02 sys: 'Operator cold reboot from CONSOLE session.'
I 10/25/13 17:42:51 00061 system: -----
-
I 10/25/13 17:42:51 00063 system: System went down : 10/25/13 16:30:02
I 10/25/13 17:42:51 00064 system: Operator cold reboot from CONSOLE session.
W 10/25/13 17:42:51 00374 chassis: WARNING: SSC is out of Date: Load 8.2 or
newer
```

```

I 10/25/13 17:42:51 00068 chassis: Slot D Inserted
I 10/25/13 17:42:51 00068 chassis: Slot E Inserted
I 10/25/13 17:42:51 00068 chassis: Slot F Inserted
I 10/25/13 17:42:51 00690 udpf: DHCP relay agent feature enabled
I 10/25/13 17:42:51 00433 ssh: Ssh server enabled
I 10/25/13 17:42:51 00400 stack: Stack Protocol disabled
I 10/25/13 17:42:51 00128 tftp: Enable succeeded
I 10/25/13 17:42:51 00417 cdp: CDP enabled

```

---- Log events stored in memory 1-751. Log events on screen 690-704.

Actions-> Back Next page Prev page End Help

Return to previous screen.

Use up/down arrow to scroll one line, left/right arrow keys to change action selection, and <Enter> to execute action.

The **log status line** below the recorded entries states the total number of events stored in the event log and which logged events are currently displayed.

To scroll to other entries in the Event Log, either preceding or following the currently visible portion, press the keys indicated at the bottom of the display (Back, Nextpage, Prev page, or End) or the keys described in the following table.

Event Log control keys

Key	Action
[N]	Advances the display by one page (next page).
[P]	Rolls back the display by one page (previous page).
[V]	Advances display by one event (down one line).
[^]	Rolls back display by one event (up one line).
[E]	Advances to the end of the log.
[H]	Displays Help for the Event Log.

Using the CLI

Syntax:

```
show logging [-a, -b, -r, -s, -t, -m, -e, -p, -w, -i, -d, command, filter] [< option-str >]
```

By default, the `show logging` command displays the log messages recorded since the last reboot in chronological order:

-a	Displays all recorded log messages, including those before the last reboot.
-b	Displays log events as the time since the last reboot instead of in a date/time format.
-r	Displays all recorded log messages, with the most recent entries listed first (reverse order).

Table Continued

<code>-s</code>	Displays the active management module (AM) and standby management module (SM) log events.
<code>-t</code>	Displays the log events with a granularity of 10 milliseconds.
<code>-m</code>	Displays only major log events.
<code>-e</code>	Displays only error event class.
<code>-p</code>	Displays only performance log events.
<code>-w</code>	Displays only warning log events.
<code>-i</code>	Displays only informational log events.
<code>-d</code>	Displays only debug log events.
<code>command</code>	Displays only command logs.
<code>filter</code>	Displays only log filter configuration and status information.
<code><option-str></code>	Displays all Event Log entries that contain the specified text. Use an <code><option-str></code> value with <code>-a</code> or <code>-r</code> to further filter <code>show logging</code> command output.

Example:

To display all Event Log messages that have "system" in the message text or module name, enter the following command:

```
switch# show logging -a system
```

To display all Event Log messages recorded since the last reboot that have the word "system" in the message text or module name, enter:

```
switch# show logging system
```

Clearing Event Log entries

Syntax:

```
clear logging [command]
```

Removes all entries from the event log display output.

Use the `clear logging` command to hide, but not erase, Event Log entries displayed in `show logging` command output. Only new entries generated after you enter the command will be displayed.

To redisplay all hidden entries, including Event Log entries recorded prior to the last reboot, enter the `show logging -a` command.

The `command` option removes all entries from the command log.

Turning event numbering on

Syntax:

```
[no] log-numbers
```


Turns event numbering on and off

Using log throttling to reduce duplicate Event Log and SNMP messages

A recurring event can generate a series of duplicate Event Log messages and SNMP traps in a relatively short time. As a result, the Event Log and any configured SNMP trap receivers may be flooded with excessive, exactly identical messages. To help reduce this problem, the switch uses **log throttle periods** to regulate (throttle) duplicate messages for recurring events, and maintains a counter to record how many times it detects duplicates of a particular event since the last system reboot.

When the first instance of a particular event or condition generates a message, the switch initiates a log throttle period that applies to all recurrences of that event. If the logged event recurs during the log throttle period, the switch increments the counter initiated by the first instance of the event, but does not generate a new message.

If the logged event repeats again after the log throttle period expires, the switch generates a duplicate of the first message, increments the counter, and starts a new log throttle period during which any additional instances of the event are counted, but not logged. Thus, for a particular recurring event, the switch displays only one message in the Event Log for each log throttle period in which the event reoccurs. Also, each logged instance of the event message includes counter data showing how many times the event has occurred since the last reboot. The switch manages messages to SNMP trap receivers in the same way.

Log throttle periods

The length of the log throttle period differs according to an event's severity level:

Severity level	Log throttle period
I (Information)	6000 Seconds
W (Warning)	600 Seconds
D (Debug)	60 Seconds
M (Major)	6 Seconds

Example:

Suppose that you configure VLAN 100 on the switch to support PIM operation, but do not configure an IP address. If PIM attempts to use VLAN 100, the switch generates the first instance of the following Event Log message and counter.



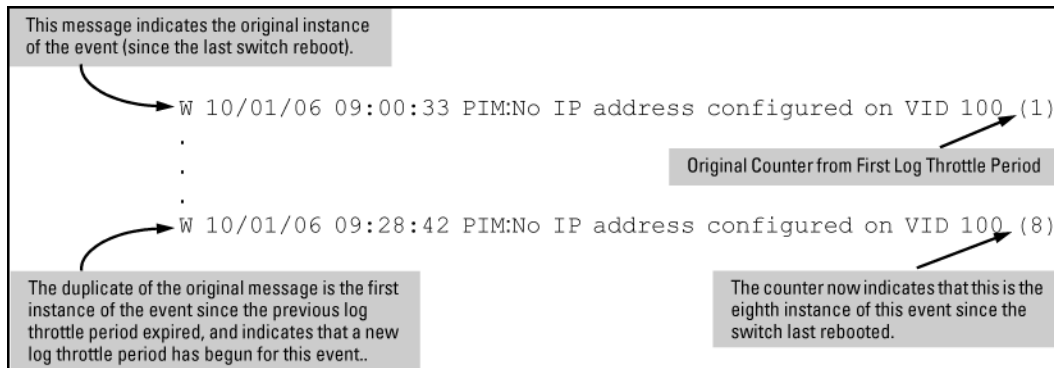
In **The first instance of an event message and counter** on page 497 the counter (1) indicates that this is the first instance of this event since the switch last rebooted.

The first instance of an event message and counter

```
W 10/01/12 09:00:33 PIM:No IP address configured on VID 100 (1)
```

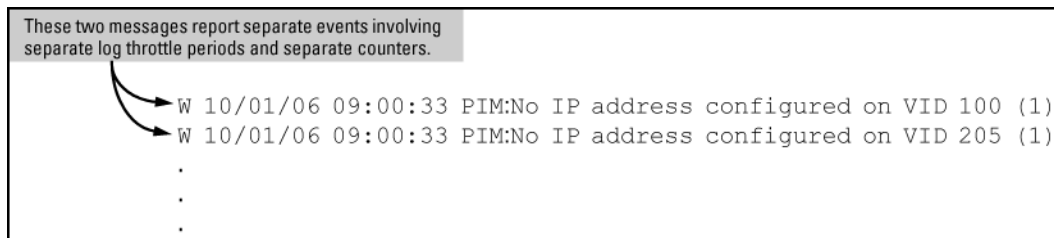
If PIM operation causes the same event to occur six more times during the initial log throttle period, there are no further entries in the Event Log. However, if the event occurs again after the log throttle period has expired, the switch repeats the message (with an updated counter) and starts a new log throttle period.

Figure 115: Duplicate messages over multiple log throttling periods



Note that if the same type of event occurs under different circumstances, the switch handles these as unrelated events for the purpose of Event Log messages. For example, if PIM operation simultaneously detects that VLANs 100 and 205 are configured without IP addresses, you see log messages similar to the following:

Figure 116: Example: of log messages generated by unrelated events of the same type



Example: of event counter operation

Suppose the switch detects the following after a reboot:

- Three duplicate instances of the PIM "Send error" during the first log throttle period for this event
- Five more instances of the same Send error during the second log throttle period for this event
- Four instances of the same Send error during the third log throttle period for this event

In this case, the duplicate message appears three times in the Event Log (once for each log throttle period for the event being described), and the duplicate message counter increments as shown in the following table. (The same operation applies for messages sent to any configured SNMP trap receivers.)

Table 32: How the duplicate message counter increments

Instances during 1st log throttle period	Instances during 2nd log throttle period	Instances during 3rd log throttle period	Duplicate message counter ¹
3			1
	5		4
		4	9

¹ This value always comprises the first instance of the duplicate message in the current log throttle period plus all previous occurrences of the duplicate message occurring since the switch last rebooted.

Reporting information about changes to the running configuration

Syslog can be used for sending notifications to a remote syslog server about changes made to the running configuration. The notifications in the syslog messages are sent in ASCII format and contain this information:

- Notice-Type: Describes the syslog notification as a “running config change”.
- Event-ID: Identifier for the running config change event that occurred on the switch.
- Config-Method: The source for the running config change.
- Device-Name: The managed device.
- User-Name: User who made the running config change.
- Remote-IP-Address: IP address of a remote host from which the user is connected.

Syntax:

```
[no] logging notify <running-config-change> [transmission-interval <0-4294967295>
```

Enables sending the running configuration change notifications to the syslog server.

The `no` form of the command disables sending the running configuration changes to the syslog server.

Default: Disabled

<code><running-config-change ></code>	Mandatory option for the notify parameter. Specifies the type of notification to send.
<code>transmission-interval <0-4294967295></code>	Specifies the time interval (in seconds) between the transmission of two consecutive notifications. Running config changes occurring within the specified interval will not generate syslog notifications.

A value of zero means there is no limit; a notification is sent for every running config change.

Default: Zero

Sending running config changes to the syslog server

```
switch(config)# logging notify running-config-change  
transmission-interval 10
```

Debug/syslog operation

While the Event Log records switch-level progress, status, and warning messages on the switch, the debug/system logging (**syslog**) feature provides a way to record Event Log and debug messages on a remote device. For example, you can send messages about routing misconfigurations and other network protocol details to an external device, and later use them to debug network-level problems.

Debug/syslog messaging

The debug/syslog feature allows you to specify the types of Event Log and debug messages that you want to send to an external device. You can perform the following operations:

- Use the `debug` command to configure messaging reports for the following event types:
 - ACL "deny" matches
 - Dynamic ARP protection events
 - DHCP snooping events
 - DIPLD events
 - Events recorded in the switch's Event Log
 - IP routing events (IPv4 and IPv6)
 - LACP events
 - LLDP events
 - SNMP events
 - SSH events
- Use the `logging` command to select a subset of Event Log messages to send to an external device for debugging purposes according to:
 - Severity level
 - System module

Hostname in syslog messages

The syslog now messages the sender identified by hostname.

The hostname field identifies the switch that originally sends the syslog message. Configurable through the CLI and SNMP, the format of the hostname field supports the following formats:

- `ip-address`: The IP address of the sending interface will be used as the message origin identifier. This is the default format for the origin identifier. The IP address of the sending interface (in dotted decimal notation) is the default format.
- `hostname`: The hostname of the sending switch will be used as the message origin identifier.
- `none`: No origin identifier will be embedded in the syslog message. Nil value is used as defined by “-“.

This configuration is system-wide, not per syslog server. There is no support for fully-qualified domain name.

Logging origin-id

Use the `logging origin-id` command to specify the content for the hostname field.

Syntax:

```
logging origin-id [ip-address|hostname|none]
```

```
[no] logging origin-id [ip-address|hostname|none]
```

To reset the hostname field content back to default (IP-address), use the `no` form of the command.

filter

Creates a filter to restrict which events are logged.

IP-ADDR

Adds an IPv4 address to the list of receiving syslog servers.

IPV6-ADDR

Adds an IPv6 address to the list of receiving syslog servers.

origin-id

Sends the Syslog messages with the specified origin-id.

notify

Notifies the specified type sent to the syslog server(s).

priority-descr

A text string associated with the values of facility, severity, and system-module.

severity

Event messages of the specified severity or higher sent to the syslog server.

system-module

Event messages of the specified system module (subsystem) sent to the syslog server.

hostname

Sets the hostname of the device as the origin-id.

none

Disables origin-id in the syslog message.

Add an IP address to the list of receiving syslog servers.

Use of `no` without an IP address specified will remove all IP addresses from the list of syslog receivers. If an IP address is specified, that receiver will be removed. Both link-local with zone ID and global IPv6 addresses are supported.

- Specify syslog server facility with the option `<facility>`. The command `no logging <facility>` sets the facility back to defaults.
- Specify filtering rules.
- Specify severity for event messages to be filtered to the syslog server with the option `<severity>`. The command `no logging <severity>` sets the severity back to default.
- Event messages of specified system module will be sent to the syslog server. Using `no` sends messages from all system modules. Messages are first filtered by selected severity.
- Specify syslog server transport layer with options `[udp] | [tcp] | [tls]`.
- Specify syslog server port number with options `[udp PORT-NUM] | [tcp PORT-NUM] | [tls PORT-NUM]`.
- Specify notification types to be sent to the syslog server.
- Use the option `transmission-interval` to control the egress rate limit for transmitting notifications, 0 value means there is no rate limit. The values are in seconds. Only one syslog message is allowed for transmission within specified time interval.
- Specify the origin information for the syslog messages with the option `origin-id`.



When the syslog server receives messages from the switch, the IPv6 address of the switch is partly displayed.

Example:

Configured Host Ipv6 Address: 2001::1

Expected Syslog message:

```
Syslog message: USER.INFO: Oct 11 02:40:02 2001::1 00025 ip: ST1CMDR: VLAN60: ip address 30.1.1.1/24 configured on vlan 60
```

Actual Truncated syslog message:

```
Syslog message: USER.INFO: Oct 11 02:40:02 2001:: 00025 ip: ST1CMDR: VLAN60: ip address 30.1.1.1/24 configured on vlan 60
```

Use the command in the following example to set the origin-id to the hostname.

Setting the origin-id to the hostname

```
switch(config)# logging origin-id hostname
```

The following syslog message will occur:

```
<14> Jan 1 00:15:35 HP-2910a1-24G 00076 ports: port 2 is now on-line
```

Use the command in the following example to set the origin-id to none (nilvalue).

Setting the origin-id to none (nilvalue)

```
switch(config)# logging origin-id none
```

The following syslog message will occur:

```
<14> Jan 1 00:15:35 - 00076 ports: port 2 is now on-line
```

Use any of the commands in the following example to set the origin-id to ip-address (default).

Setting the origin-id to ip-address (default)

```
switch(config)# logging origin-id ip-address
```

```
switch(config)# no logging origin-id hostname
```

```
switch(config)# no logging origin-id none
```

The following syslog message will occur:

```
<14> Jan 1 00:15:35 169.254.230.236 00076 ports: port 2 is now on-line
```

Viewing the identification of the syslog message sender

Use the commands `show debug` or `show running-config` to display the identification of the syslog message sender. The default option for `origin-id` is `ip-address`. The command `show running-config` will not display the configured option when `origin-id` is set to the default value of `ip address`.

When `hostname` or `none` is configured using `logging origin-id`, the same displays as part of the `show running-config` command.

Syntax:

```
show debug
```

Default option is `ip-address`.

The following shows the output of the `show debug` command when configured without `logging origin-id`.

Output of the show debug command when configured without logging origin-id

```
Debug Logging
  Origin identifier: Outgoing Interface IP
  Destination:      None
```

```
Enabled debug types:
  None are enabled.
```

The command `logging origin-id hostname` will produce the syslog message shown in the following example.

Syslog message for logging origin-id hostname

```
Debug Logging
  Origin identifier: Hostname
  Destination:      None
```

```
Enabled debug types:
  None are enabled.
```

The command `logging origin-id none` will produce the syslog message shown in the following example.

Syslog message for logging origin-id none

```
Debug Logging
  Origin identifier: none
  Destination:      None
```

```
Enabled debug types:
  None are enabled.
```

Syntax:

```
show running-config
```

The following example shows the output of the `show running-config` command.

Output of the show running-config command

```
The command logging origin-id hostname will display the
following:
logging origin-id hostname
```

The command `logging origin-id none` will display as the following:

```
logging origin-id none
```

SNMP MIB

SNMP support will be provided through the following MIB objects.

HpicfSyslogOriginId = textual-convention

Description

This textual convention enumerates the origin identifier of syslog message.

Syntax: integer

ip-address
hostname
none

Status

current

hpicfSyslogOriginId OBJECT-TYPE

Description

Specifies the content of a Hostname field in the header of a syslog message.

Syntax:

HpicfSyslogOriginId

Max-access

read-write

Status

current

Default

ip-address

Debug/syslog destination devices

To use debug/syslog messaging, you must configure an external device as the logging destination by using the `logging` and `debug destination` commands. For more information, see [Debug destinations](#) on page 514 and [Configuring a syslog server](#) on page 516.

A debug/syslog destination device can be a syslog server and/or a console session. You can configure debug and logging messages to be sent to:

- Up to six syslog servers
- A CLI session through a direct RS-232 console connection, or a Telnet or SSH session

Debug/syslog configuration commands

Event notification logging	—	Automatically sends switch-level event messages to the switch's Event Log. Debug and syslog do not affect this operation, but add the capability of directing Event Log messaging to an external device.
logging command	<syslog-ip-addr>	Enables syslog messaging to be sent to the specified IP address. IPv4 and IPv6 are supported.
	facility	(Optional) The logging facility command specifies the destination (facility) subsystem used on a syslog server for debug reports.
	priority-desc	A text string associated with the values of facility, severity, and system-module.
	neighbor-adjacency [detail]	Enables or disables OSPFv3 (IPv6) adjacency logging. Must be executed in OSPFv3 context. The detail option displays all the adjacency state transitions and adjacency-related errors.
	severity	Sends Event Log messages of equal or greater severity than the specified value to configured debug destinations. (The default setting is to send Event Log messages from all severity levels.)
	system-module	Sends Event Log messages from the specified system module to configured debug destinations. The severity filter is also applied to the system-module messages you select. The default setting is to send Event Log messages from all system modules. To restore the default setting, enter the no logging system-module <system-module> or logging system-module all-pass commands.

Table Continued

debug Command	acl	Sends ACL syslog logging to configured debug destinations. When there is a match with a "deny" statement, directs the resulting message to the configured debug destinations.
	all	Sends debug logging to configured debug destinations for all ACL, Event Log, IP-OSPF, and IP-RIP options.
	cdp	Displays CDP information.
	destination	<code>logging</code> : Disables or re-enables syslog logging on one or more syslog servers configured with the <code>logging syslog-ip-addr</code> command. <code>session</code> : Assigns or re-assigns destination status to the terminal device that was most recently used to request debug output. <code>buffer</code> : Enables syslog logging to send the debug message types specified by the <code>debug <debug-type></code> command to a buffer in switch memory.
	event	Sends standard Event Log messages to configured debug destinations. (The same messages are also sent to the switch's Event Log, regardless of whether you enable this option.)

Table Continued

	ip	<p>fib: Displays IP Forwarding Information Base messages and events.forwarding: Sends IPv4 forwarding messages to the debug destinations.ospf: Sends OSPF event logging to the debug destinations.ospfv3: Enables debug messages for OSPFv3.packet: Sends IPv4 packet messages to the debug destinations.pim [packet [filter {source < ip-addr > vlan < vid >}]]: Enables or disables tracing of PIM messages.Note: When PIM debugging is enabled, the following message displays:</p> <p>PIM Debugging can be extremely CPU intensive when run on a device with an existing high CPU load or on a switch with more than 10 PIM-enabled VLANs. In high load situations, the switch may suffer from protocol starvation, high latency, or even reload. When debugging a switch with more than 10 PIM-enabled VLANs, the "vlan" option in "debug ip pim packet" should be utilized. Debugging should only be used temporarily while troubleshooting problems. Customers are advised to exercise caution when running this command in a highstress production network.</p> <p>pbr: Logs a message when a PBR policy is applied, when the action in a class goes active or when it goes inactive.rip: Sends RIP event logging to the debug destinations.</p>
--	----	---

Table Continued

	ipv6	dhcpx6-client: Sends DHCPv6 client debug messages to the configured debug destination.dhcpx6-relay: Sends DHCPv6 relay debug messages to the configured debug destination.forwarding: Sends IPv6 forwarding messages to the debug destination(s)nd: Sends IPv6 debug messages for IPv6 neighbor discovery to the configured debug destinations.
	lacp	event: Sends messages related to change events.packet: Sends messages when BPDUs are exchanged.
	lldp	Sends LLDP debug messages to the debug destinations.
	security	Sends security messages to the debug destination.
	services	Displays debug messages on the services module.
	snmp	Sends snmp messages to the debug destination.

Using the Debug/Syslog feature, you can perform the following operations:

- Configure the switch to send Event Log messages to one or more Syslog servers. In addition, you can configure the messages to be sent to the User log facility (default) or to another log facility on configured Syslog servers.
- Configure the switch to send Event Log messages to the current management- access session (serial-connect CLI, Telnet CLI, or SSH).
- Disable all Syslog debug logging while retaining the Syslog addresses from the switch configuration. This allows you to configure Syslog messaging and then disable and re-enable it as needed.
- Display the current debug configuration. If Syslog logging is currently active, the list of configured Syslog servers is displayed.
- Display the current Syslog server list when Syslog logging is disabled.

Configuring debug/syslog operation

Procedure

1. To use a syslog server as the destination device for debug messaging, follow these steps:

- a. Enter the `logging <syslog-ip-addr>` command at the global configuration level to configure the syslog server IP address and enable syslog logging. Optionally, you may also specify the destination subsystem to be used on the syslog server by entering the `logging facility` command. If no other syslog server IP addresses are configured, entering the `logging` command enables both debug messaging to a syslog server and the event debug message type. As a result, the switch automatically sends Event Log messages to the syslog server, regardless of other debug types that may be configured.
 - b. Re-enter the `logging` command in Step 1a to configure additional syslog servers. You can configure up to a total of six servers. (When multiple server IP addresses are configured, the switch sends the debug message types that you configure in **Step 3** to all IP addresses.)
2. To use a CLI session on a destination device for debug messaging:
 - a. Set up a serial, Telnet, or SSH connection to access the switch's CLI.
 - b. Enter the `debug destination session` command at the manager level.
 3. Enable the types of debug messages to be sent to configured syslog servers, the current session device, or both by entering the `debug <debug-type>` command and selecting the desired options.

Repeat this step if necessary to enable multiple debug message types.

By default, Event Log messages are sent to configured debug destination devices. To block Event Log messages from being sent, enter the `no debug event` command.

4. If necessary, enable a subset of Event Log messages to be sent to configured syslog servers by specifying a severity level, a system module, or both using the following commands:

```
switch(config)# logging severity <debug | major | error | warning | info>
switch(config)# logging system-module <system-module>
```

To display a list of valid values for each command, enter `logging severity` or `logging system-module` followed by `?` or pressing the Tab key.

The severity levels in order from the highest to lowest severity are major, error, warning, info, and debug. For a list of valid values for the `logging system-module <system-module>` command, see **Event Log system modules**.

5. If you configure system-module, severity-level values, or both to filter Event Log messages, when you finish troubleshooting, you may want to reset these values to their default settings so that the switch sends all Event Log messages to configured debug destinations (syslog servers, CLI session, or both).

To remove a configured setting and restore the default values that send all Event Log messages, enter one or both of the following commands:

```
switch(config)# no logging severity <debug | major | error | warning | info>
switch(config)# no logging system-module <system-module>
```



If you configure a severity-level, system-module, logging destination, or logging facility value and save the settings to the startup configuration (For example, by entering the `write memory` command), the debug settings are saved after a system reboot (power cycle or reboot) and re-activated on the switch. As a result, after switch startup, one of the following situations may occur:

- Only a partial set of Event Log messages may be sent to configured debug destinations.
- Messages may be sent to a previously configured syslog server used in an earlier debugging session.

Viewing a debug/syslog configuration

Use the `show debug` command to display the currently configured settings for:

- Debug message types and Event Log message filters (severity level and system module) sent to debug destinations
- Debug destinations (syslog servers or CLI session) and syslog server facility to be used

Syntax:

```
show debug
```

Displays the currently configured debug logging destinations and message types selected for debugging purposes. (If no syslog server address is configured with the `logging <syslog-ip-addr>` command, no `show debug` command output is displayed.)

Output of the show debug command

```
switch(config)# show debug

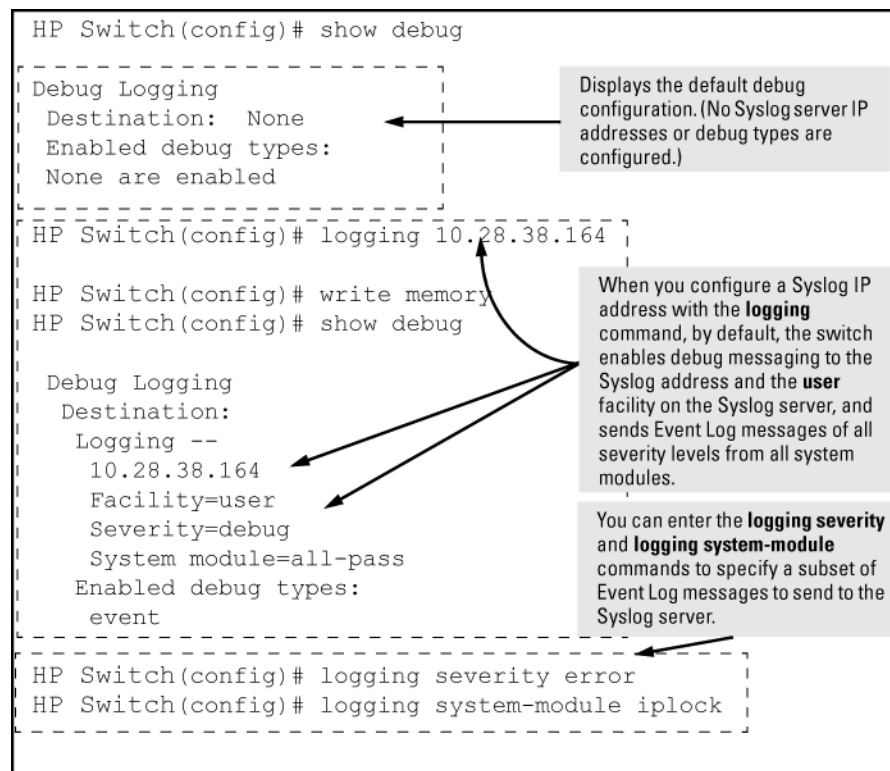
Debug Logging
Destination:
  Logging --
  10.28.38.164
  Facility=kern
  Severity=warning
  System module=all-pass
Enabled debug types:
  event
```

Example:

In the following Example:, no syslog servers are configured on the switch (default setting). When you configure a syslog server, debug logging is enabled to send Event Log messages to the server. To limit the Event Log

messages sent to the syslog server, specify a set of messages by entering the `logging severity` and `logging system-module` commands.

Figure 117: Syslog configuration to receive event log messages from specified system module and severity levels



As shown at the top of **Figure 117: Syslog configuration to receive event log messages from specified system module and severity levels** on page 511, if you enter the `show debug` command when no syslog server IP address is configured, the configuration settings for syslog server facility, Event Log severity level, and system module are not displayed. However, after you configure a syslog server address and enable syslog logging, all debug and logging settings are displayed with the `show debug` command.

If you do not want Event Log messages sent to syslog servers, you can block the messages from being sent by entering the `no debug event` command. (There is no effect on the normal logging of messages in the switch's Event Log.)

Example:

The next Example: shows how to configure:

- Debug logging of ACL and IP-OSPF packet messages on a syslog server at 18.38.64.164 (with user as the default logging facility).
- Display of these messages in the CLI session of your terminal device's management access to the switch.
- Blocking Event Log messages from being sent from the switch to the syslog server and a CLI session.

To configure syslog operation in these ways with the debug/syslog feature disabled on the switch, enter the commands shown in **Figure 118: Debug/syslog configuration for multiple debug types and multiple destinations** on page 512.

Figure 118: Debug/syslog configuration for multiple debug types and multiple destinations

```
HP Switch# config
HP Switch(config)# logging 10.38.64.164
HP Switch(config)# show debug
Debug Logging
Destination:
Logging --
 10.38.64.164
Facility=user
Severity=debug
System module=all-pass
Enabled debug types:
event
HP Switch(config)# no debug event
HP Switch(config)# debug acl
HP Switch(config)# debug ip ospf packet
HP Switch(config)# debug destination session
HP Switch(config)# show debug
Debug Logging
Destination:
Logging --
 10.38.64.164
Facility=user
Severity=debug
System module=all-pass
Session
Enabled debug types:
acl log
ip ospf packet
```

Configure a Syslog server IP address. (No other Syslog servers are configured on the switch.) The server address serves as an active debug destination for any configured debug types.)

Display the new debug configuration. (Default debug settings - facility, severity, system module, and debug types- are displayed.)

Remove the unwanted event message logging to debug destinations.

Configure the debug messages types that you want to send to the Syslog server and CLI session.

Configure the CLI session as a debug destination.

Display the final debug and Syslog server configuration.

Debug command

At the manager level, use the `debug` command to perform two main functions:

- Specify the types of event messages to be sent to an external destination.
- Specify the destinations to which selected message types are sent.

By default, no debug destination is enabled and only Event Log messages are enabled to be sent.



To configure a syslog server, use the `logging <syslog-ip-addr>` command. For more information, see **Configuring a syslog server** on page 516.

Debug messages

Syntax:

```
[no] debug <debug-type>
```





acl	<p>When a match occurs on an ACL "deny" ACE (with <code>log</code> configured), the switch sends an ACL message to configured debug destinations. For information on ACLs, see the "Access Control Lists (ACLs)" in the latest version of the following guides:</p> <ul style="list-style-type: none"> • IPv4 ACLs: access security guide • IPv6 ACLs: IPv6 configuration guide <p> ACE matches (hits) for permit and deny entries can be tracked using the <code>show statistics <aclv4 aclv6></code> command.</p> <p>(Default: Disabled—ACL messages for traffic that matches "deny" entries are not sent.)</p>
all	Configures the switch to send all debug message types to configured debug destinations.(Default: Disabled—No debug messages are sent.)
cdp	Sends CDP information to configured debug destinations.
destination	<p><code>logging</code>—Disables or re-enables syslog logging on one or more syslog servers configured with the <code>logging <syslog-ip-addr></code> command. <code>session</code>—Assigns or re-assigns destination status to the terminal device that was most recently used to request debug output. <code>buffer</code>—Enables syslog logging to send the debug message types specified by the <code>debug <debug-type></code> command to a buffer in switch memory.For more information on these options, see Debug destinations on page 514.</p>
event	<p>Configures the switch to send Event Log messages to configured debug destinations.</p> <p> This value does not affect the reception of event notification messages in the Event Log on the switch.</p> <p>Event Log messages are automatically enabled to be sent to debug destinations in these conditions:</p> <ul style="list-style-type: none"> • If no syslog server address is configured and you enter the <code>logging <syslog-ip-addr></code> command to configure a destination address. • If at least one syslog server address is configured in the startup configuration, and the switch is rebooted or reset. <p>Event log messages are the default type of debug message sent to configured debug destinations.</p>
ip [fib forwarding packet rip]	Sends IP messages to configured destinations.
	<p>ip [fib [events]]</p> <p>For the configured debug destinations: <code>events</code>—Sends IP forwarding information base events.</p>

Table Continued


	<code>ip [packet]</code>	Enables the specified PIM message type.
	<code>ip [rip [database event trigger]]</code>	<code>rip {<database event trigger>}</code> —Enables the specified RIP message type for the configured destination(s). <code>database</code> —Displays database changes. <code>event</code> —Displays RIP events. <code>trigger</code> —Displays trigger messages.
	<code>ipv6 [dhcpv6-client nd packet]</code>	 <p>See the "IPv6 Diagnostic and Troubleshooting" in the IPv6 configuration guide for your switch for more detailed IPv6 debug options.</p> <p>When no debug options are included, displays debug messages for all IPv6 debug options. <code>dhcpv6-client [events packet]</code>—Displays DHCPv6 client event and packet data. <code>nd</code>—Displays debug messages for IPv6 neighbor discovery. <code>packet</code>—Displays IPv6 packet messages.</p>
	<code>lldp</code>	Enables all LLDP message types for the configured destinations.
	<code>security [arp-protect dhcp-snooping dynamic-ip-lockdown port-access port-security radius-server ssh tacacs-server user-profile-mib]</code>	<code>arp-protect</code> — Sends dynamic ARP protection debug messages to configured debug destinations. <code>dhcp-snooping</code> —Sends DHCP snooping debug messages to configured debug destinations. <code>agent</code> —Displays DHCP snooping agent messages. <code>event</code> —Displays DHCP snooping event messages. <code>packet</code> —Displays DHCP snooping packet messages. <code>dynamic-ip-lockdown</code> —Sends dynamic IP lockdown debug messages to the debug destination. <code>port-access</code> —Sends port-access debug messages to the debug destination. <code>radius-server</code> —Sends RADIUS debug messages to the debug destination. <code>ssh</code> —Sends SSH debug messages at the specified level to the debug destination. The levels are fatal, error, info, verbose, debug, debug2, and debug3. <code>tacacs-server</code> —Sends TACACS debug messages to the debug destination. <code>user-profile-mib</code> —Sends user profile MIB debug messages to the debug destination.
	<code>services <slot-id-range></code>	Displays debug messages on the services module. Enter an alphabetic module ID or range of module IDs for the <code><slot-id-range></code> parameter.
	<code>snmp <pdu></code>	Displays the SNMP debug messages. <code>pdu</code> —Displays SNMP pdu debug messages.

Debug destinations

Use the `debug destination` command to enable (and disable) syslog messaging on a syslog server or to a CLI session for specified types of debug and Event Log messages.

Syntax:

```
[no] debug destination {<logging | session | buffer>}
```

logging	<p>Enables syslog logging to configured syslog servers so that the debug message types specified by the <code>debug <debug-type></code> command (see Debug messages on page 512) are sent. (Default: Logging disabled) To configure a syslog server IP address, see Configuring a syslog server on page 516.</p> <hr/> <div style="display: flex; align-items: flex-start;"> <div style="text-align: center; margin-right: 10px;">  NOTE </div> <div> <p>Debug messages from the switches covered in this guide have a debug severity level. Because the default configuration of some syslog servers ignores syslog messages with the debug severity level, ensure that the syslog servers you want to use to receive debug messages are configured to accept the debug level. For more information, see Operating notes for debug and Syslog on page 521.</p> </div> </div>
session	<p>Enables transmission of event notification messages to the CLI session that most recently executed this command. The session can be on any one terminal emulation device with serial, Telnet, or SSH access to the CLI at the Manager level prompt (<code>switch#_</code>). If more than one terminal device has a console session with the CLI, you can redirect the destination from the current device to another device. Do so by executing <code>debug destination session</code> in the CLI on the terminal device on which you now want to display event messages. Event message types received on the selected CLI session are configured with the <code>debug <debug-type></code> command.</p>
buffer	<p>Enables syslog logging to send the debug message types specified by the <code>debug <debug-type></code> command to a buffer in switch memory. To view the debug messages stored in the switch buffer, enter the <code>show debug buffer</code> command.</p>

Logging command

At the global configuration level, the `logging` command allows you to enable debug logging on specified syslog servers and select a subset of Event Log messages to send for debugging purposes according to:

- Severity level
- System module

By specifying both a severity level and system module, you can use both configured settings to filter the Event Log messages you want to use to troubleshoot switch or network error conditions.



CAUTION

After you configure a syslog server and a severity level and/or system module to filter the Event Log messages that are sent, if you save these settings to the startup configuration file by entering the `write memory` command, these debug and logging settings are automatically re-activated after a switch reboot or power recycle. The debug settings and destinations configured in your previous troubleshooting session will then be applied to the current session, which may not be desirable.

After a reboot, messages remain in the Event Log and are not deleted. However, after a power recycle, all Event Log messages are deleted.

If you configure a severity level, system module, or both to temporarily filter Event Log messages, be sure to reset the values to their default settings by entering the `no` form of the following commands to ensure that Event Log messages of all severity levels and from all system modules are sent to configured syslog servers:

```
switch(config)# no logging severity <debug | major | error | warning | info>
switch(config)# no logging system-module <system-module>
```

Configuring a syslog server

Syslog is a client-server logging tool that allows a client switch to send event notification messages to a networked device operating with syslog server software. Messages sent to a syslog server can be stored to a file for later debugging analysis.

To use the syslog feature, you must install and configure a syslog server application on a networked host accessible to the switch. For instructions, see the documentation for the syslog server application.

To configure a syslog service, use the `logging <syslog-ip-addr>` command as shown below.

When you configure a syslog server, Event Log messages are automatically enabled to be sent to the server. To reconfigure this setting, use the following commands:

- `debug`
Specifies additional debug message types (see [Debug messages](#) on page 512).
- `logging`
Configures the system module or severity level used to filter the Event Log messages sent to configured syslog servers. (See [Configuring the severity level for Event Log messages sent to a syslog server](#) on page 519 and [Configuring the system module used to select the Event Log messages sent to a syslog server](#) on page 520.)

To display the currently configured syslog servers as well as the types of debug messages and the severity-level and system-module filters used to specify the Event Log messages that are sent, enter the `show debug` command (See [Debug/syslog configuration commands](#) on page 505).

Syntax:

```
[no] logging <syslog-ip-addr>
```

Enables or disables syslog messaging to the specified IP address. You can configure up to six addresses. If you configure an address when none are already configured, this command enables destination logging (syslog) and the Event debug type. Therefore, at a minimum, the switch begins sending Event Log messages to configured syslog servers. The ACL, IP-OSPF, and/or IP-RIP message types are also sent to the syslog servers if they are currently enabled as debug types. (See [Debug messages](#) on page 512.)

<code>no logging</code>	Removes all currently configured syslog logging destinations from the running configuration. Using this form of the command to delete the only remaining syslog server address disables debug destination logging on the switch, but the default Event debug type does not change.
<code>no logging <syslog-ip-address></code>	Removes only the specified syslog logging destination from the running configuration. Removing all configured syslog destinations with the <code>no logging</code> command (or a specified syslog server destination with the <code>no logging <syslog-ip-address></code> command) does not delete the syslog server IP addresses stored in the startup configuration.

Deleting syslog addresses in the startup configuration

Enter a `no logging` command followed by the `write memory` command.

Verifying the deletion of a syslog server address

Display the startup configuration by entering the `show config` command.

Blocking the messages sent to configured syslog servers from the currently configured debug message type

Enter the `no debug <debug-type>` command. (See [Debug messages](#) on page 512.)

Disabling syslog logging on the switch without deleting configured server addresses

Enter the `no debug destination logging` command. Note that, unlike the case in which no syslog servers are configured, if one or more syslog servers are already configured and syslog messaging is disabled, configuring a new server address does not re-enable syslog messaging. To re-enable syslog messaging, you must enter the `debug destination logging` command.

Sending logging messages using TCP

Syntax:

```
[no] logging <ip-addr> [udp 1024-49151 | tcp 1024-49151]
```

Allows the configuration of the UDP or TCP transport protocol for the transmission of logging messages to a syslog server.

Specifying a destination port with UDP or TCP is optional.

Default ports: UDP port is 514

TCP port is 1470

Default Transport Protocol: UDP

Because TCP is a connection-oriented protocol, a connection must be present before the logging information is sent. This helps ensure that the logging message will reach the syslog server. Each configured syslog server needs its own connection. You can configure the destination port that is used for the transmission of the logging messages.

Configuring TCP for logging message transmission using the default port

```
switch(config)# logging 192.123.4.5 tcp
```

(Default TCP port 1470 is used.)

Configuring TCP for logging message transmission using a specified port

```
switch(config)# logging 192.123.4.5 9514
```

(TCP port 9514 is used.)

Configuring UDP for logging message transmission using the default port

```
switch(config)# logging 192.123.4.5 udp
```

(Default UDP port 514 is used.)

Configuring UDP for logging message transmission using a specified port

```
switch(config)# logging 192.123.4.5 9512
```

(UDP port 9512 is used.)

Syntax:

```
[no] logging facility <facility-name>
```

The logging facility specifies the destination subsystem used in a configured syslog server. (All configured syslog servers must use the same subsystem.) Hewlett Packard Enterprise recommends the default (user) subsystem unless your application specifically requires another subsystem. Options include:

user	(default) Random user-level messages
kern	Kernel messages
mail	Mail system
daemon	System daemons
auth	Security/authorization messages
syslog	Messages generated internally by syslog
lpr	Line-printer subsystem
news	Netnews subsystem
uucp	uucp subsystem
cron	cron/at subsystem
sys9	cron/at subsystem
sys10 - sys14	Reserved for system use
local10 - local17	Reserved for system use

Use the `no` form of the command to remove the configured facility and reconfigure the default (user) value.

Adding a description for a Syslog server

You can associate a user-friendly description with each of the IP addresses (IPv4 only) configured for syslog using the CLI or SNMP.



NOTE

The Hewlett Packard Enterprise MIB `hpicfSyslog.mib` allows the configuration and monitoring of syslog for SNMP (RFC 3164 supported).



CAUTION

Entering the `no logging` command removes ALL the syslog server addresses without a verification prompt.

The CLI command is:

Syntax:

```
logging <ip-addr> [control-descr ZZZZTRISHZZZZ <text_string>]
no logging <ip-addr> [control-descr]
```

An optional user-friendly description that can be associated with a server IP address. If no description is entered, this is blank. If *<text_string>* contains white space, use quotes around the string. IPv4 addresses only.

Use the `no` form of the command to remove the description. Limit: 255 characters



To remove the description using SNMP, set the description to an empty string.

The logging command with a control description

```
switch(config)# logging 10.10.10.2 control-descr syslog_one
```

Adding a priority description

This description can be added with the CLI or SNMP. The CLI command is:

Syntax:

```
logging priority-descr <text_string>
no logging priority-descr
```

Provides a user-friendly description for the combined filter values of `severity` and `system module`. If no description is entered, this is blank.

If *text_string* contains white space, use quotes around the string.

Use the `no` form of the command to remove the description.

Limit: 255 characters

The logging command with a priority description

```
switch(config)# logging priority-descr severe-pri
```



A notification is sent to the SNMP agent if there are any changes to the syslog parameters, either through the CLI or with SNMP.

Configuring the severity level for Event Log messages sent to a syslog server

Event Log messages are entered with one of the following severity levels (from highest to lowest):

Major	A fatal error condition has occurred on the switch.
Error	An error condition has occurred on the switch.
Warning	A switch service has behaved unexpectedly.

Table Continued

Information	Information on a normal switch event.
Debug	Reserved for HPE switch internal diagnostic information.

Using the `logging severity` command, you can select a set of Event Log messages according to their severity level and send them to a syslog server. Messages of the selected and higher severity will be sent. To configure a syslog server, see [Configuring a syslog server](#) on page 516.

Syntax:

```
[no] logging severity {< major | error | warning | info | debug >}
```

Configures the switch to send all Event Log messages with a severity level equal to or higher than the specified value to all configured Syslog servers.

Default: `debug` (Reports messages of all severity levels.)

Use the `no` form of the command to remove the configured severity level and reconfigure the default value, which sends Event Log messages of all severity levels to syslog servers.



The severity setting does not affect event notification messages that the switch normally sends to the Event Log. All messages remain recorded in the Event Log.

Configuring the system module used to select the Event Log messages sent to a syslog server

Event Log messages contain the name of the system module that reported the event. Using the `logging system-module` command, you can select a set of Event Log messages according to the originating system module and send them to a syslog server.

Syntax:

```
[no] logging system-module <system-module>
```

Configures the switch to send all Event Log messages being logged from the specified system module to configured syslog servers. (To configure a syslog server, see [Configuring a syslog server](#).)

See [Event Log system modules](#) for the correct value to enter for each system module.

Default: `all-pass` (Reports all Event Log messages.)

Use the `no` form of the command to remove the configured system module value and reconfigure the default value, which sends Event Log messages from all system modules to syslog servers.

You can select messages from only one system module to be sent to a syslog server; you cannot configure messages from multiple system modules to be sent. If you re-enter the command with a different system module name, the currently configured value is replaced with the new one.



This setting has no effect on event notification messages that the switch normally sends to the Event Log.

Enabling local command logging

Use this command to enable local command logging. This satisfies the NDcPP certification requirement that:

- All administrative actions (commands) are logged locally.
- Local command log storage can be enabled and disabled.
- The identity of the user causing an event is logged.
- When the command log is exhausted by 80% and wraparound occurs, the event is logged and a trap is generated.
- Log messages have a maximum of 240 characters (the RMON event maximum string length) and are stored in the command log buffer.
- Log messages greater than the maximum length are truncated and are not stored in the command log buffer.

Syntax:

```
[no] logging command
```

Operating notes for debug and Syslog

- Rebooting the switch or pressing the `Reset` button resets the debug configuration.

Debug option	Effect of a reboot or reset
logging (debug destination)	If syslog server IP addresses are stored in the startup-config file, they are saved across a reboot and the logging destination option remains enabled. Otherwise, the logging destination is disabled.
session (debug destination)	Disabled.
ACL (debug type)	Disabled.
All (debug type)	Disabled.
event (debug type)	If a syslog server IP address is configured in the startup-config file, the sending of Event Log messages is reset to <code>enabled</code> , regardless of the last active setting. If no syslog server is configured, the sending of Event Log messages is <code>disabled</code> .
IP (debug type)	Disabled.

- Debug commands do not affect normal message output to the Event Log.

Using the `debug event` command, you can specify that Event Log messages are sent to the debug destinations you configure (CLI session, syslog servers, or both) in addition to the Event Log.

- Ensure that your syslog servers accept debug messages.

All syslog messages resulting from a debug operation have a "debug" severity level. If you configure the switch to send debug messages to a syslog server, ensure that the server's syslog application is configured to accept the "debug" severity level. (The default configuration for some syslog applications ignores the "debug" severity level.)

- Duplicate IP addresses are not stored in the list of syslog servers.

- If the default severity value is in effect, all messages that have severities greater than the default value are passed to syslog. For example, if the default severity is "debug," all messages that have severities greater than debug are passed to syslog.
- There is a limit of six syslog servers. All syslog servers are sent the same messages using the same filter parameters. An error is generated for an attempt to add more than six syslog servers.

Diagnostic tools

Port auto-negotiation

When a link LED does not light (indicating loss of link between two devices), the most common reason is a failure of port auto-negotiation between the connecting ports. If a link LED fails to light when you connect the switch to a port on another device, do the following:

Procedure

1. Ensure that the switch port and the port on the attached end-node are both set to `Auto` mode.
2. If the attached end-node does not have an `Auto` mode setting, you must manually configure the switch port to the same setting as the end-node port. See [Port Status and Configuration](#) on page 75.

Ping and link tests

The ping test and the link test are point-to-point tests between your switch and another IEEE 802.3-compliant device on your network. These tests can tell you whether the switch is communicating properly with another device.



To respond to a ping test or a link test, the device you are trying to reach must be IEEE 802.3-compliant.

Ping test

A test of the path between the switch and another device on the same or another IP network that can respond to IP packets (ICMP Echo Requests). To use the `ping` (or `tracert`) command with host names or fully qualified domain names, see [DNS resolver](#) on page 539.

Link test

A test of the connection between the switch and a designated network device on the same LAN (or VLAN, if configured). During the link test, IEEE 802.2 test packets are sent to the designated network device in the same VLAN or broadcast domain. The remote device must be able to respond with an 802.2 Test Response Packet.

Executing ping or link tests (WebAgent)

To start a ping or link test in the WebAgent:

1. In the navigation pane, click **Troubleshooting**.
2. Click **Ping/Link Test**.
3. Click **Start**.
4. To halt a link or ping test before it concludes, click **Stop**.

For an Example: of the text screens, see **Figure 119: Ping test and link test screen on the WebAgent** on page 523.

Figure 119: Ping test and link test screen on the WebAgent

Destination IP Address is the network address of the target, or destination, device to which you want to test a connection with the switch. An IP address is in the X.X.X.X format where X is a decimal number between 0 and 255.

Number of Packets to Send is the number of times you want the switch to attempt to test a connection.

Timeout in Seconds is the number of seconds to allow per attempt to test a connection before determining that the current attempt has failed.

Testing the path between the switch and another device on an IP network

The ping test uses ICMP echo requests and ICMP echo replies to determine if another device is alive. It also measures the amount of time it takes to receive a reply from the specified destination. The `ping` command has several extended commands that allow advanced checking of destination availability.

Syntax:

```
ping {<ip-address | hostname>} [repetitions <1-10000>] [timeout <1-60>] [source <
{ip-address | <vlan-id> | loopback <0-7>>}] [data-size <0-65471>] [data-fill
<0-1024>] [ip-option {<record-route | loose-source-route | strict-source-route |
include-timestamp | include-timestamp-and-address | include timestamp-from> } ]
[tos <0-255>]
```

```
ping6 {<ipv6-address | hostname>} [repetitions <1-10000>] [timeout <1-60>] [source
< {ip-address | vlan-id | loopback <0-7>>}] [data-size <0-65471>] [data-fill
<0-1024>]
```

Sends ICMP echo requests to determine if another device is alive.

<code>{< ip-address hostname >}</code>	Target IP address or hostname of the destination node being pinged
<code>repetitions <1-10000></code>	Number of ping packets sent to the destination address. Default: 1

Table Continued

timeout <1-60>	Timeout interval in seconds; the ECHO REPLY must be received before this time interval expires for the ping to be successful. Default: 5
source {< ip-addr vid loopback <0-7>>}	Source IP address, VLAN ID, or loopback address used for the ping. The source IP address must be owned by the router. If a VLAN is specified, the IP address associated with the specified VLAN is used.
data-size <0-65471>	Size of packet sent. Default: 0 (zero)
data-fill <0-1024>	The data pattern in the packet. Default: Zero length string
ip-option	Specify an IP option, such as loose or strict source routing, or an include-timestamp option: include-timestamp: Adds the timestamp option to the IP header. The timestamp displays the amount of travel time to and from a host. Default: 9include-timestamp-and-address: Records the intermediate router's timestamp and IP address. Default: 4include-timestamp-from: Records the timestamp of the specified router addresses. loose-source-route <IP-addr> : The loose-source-route option prompts for the IP address of each source IP on the path. It allows you to specify the IP addresses that you want the ping packet to go through; the packet may go through other IP addresses as well. record-route <1-9> : Displays the IP addresses of the interfaces that the ping packet goes through on its way to the destination and on the way back. When specified without loose or strict recording, the source route is not recorded. The source route is automatically recorded when loose or strict source routing is enabled. Default: 9strict-source-route <IP-addr> : Restricts the ping packet to only those IP addresses that have been specified and no other addresses.
tos <0-255>	Specifies the type of service to be entered in the header packet. Default: 0 (zero)

Ping tests

```
switch# ping 10.10.10.10
10.10.10.10 is alive, time = 15 ms

switch# ping 10.10.10.10 repetitions 3
10.10.10.10 is alive, iteration 1, time = 15 ms
10.10.10.10 is alive, iteration 1, time = 15 ms
10.10.10.10 is alive, iteration 1, time = 15 ms

switch# ping 10.10.10.10 timeout 2
10.10.10.10 is alive, time = 10 ms
```

```
switch# ping 10.11.12.13
The destination address is unreachable.
```

Halting a ping test

To halt a ping test before it concludes, press **[Ctrl] [C]**.



To use the `ping` (or `traceroute`) command with host names or fully qualified domain names, see **DNS resolver** on page 539.

Issuing single or multiple link tests

Single or multiple link tests can have varying repetitions and timeout periods. The defaults are:

- Repetitions: 1 (1 to 999)
- Timeout: 5 seconds (1 to 256 seconds)

Syntax:

```
link <mac-address> [repetitions <1-999>] [timeout <1-256>] [vlan <vlan-id >]
```

Example:

Figure 120: *Link tests*

Basic Link Test	HP Switch# link 0030c1-7fcc40 Link-test passed.
Link Test with Repetitions	HP Switch# link 0030c1-7fcc40 repetitions 3 802.2 TEST packets sent: 3, responses received: 3
Link Test with Repetitions and Timeout	HP Switch# link 0030c1-7fcc40 repetitions 3 timeout 1 802.2 TEST packets sent: 3, responses received: 3
Link Test Over a Specific VLAN	HP Switch# link 0030c1-7fcc40 repetitions 3 timeout 1 vlan 1 802.2 TEST packets sent: 3, responses received: 3
Link Test Over a Specific VLAN; Test Fail	HP Switch# link 0030c1-7fcc40 repetitions 3 timeout 1 vlan 222 802.2 TEST packets sent: 3, responses received: 0

Tracing the route from the switch to a host address

The `traceroute` command enables you to trace the route from the switch to a host address.

This command outputs information for each (router) hop between the switch and the destination address. Note that every time you execute `traceroute`, it uses the same default settings unless you specify otherwise for that instance of the command.

Syntax:

```
traceroute {< ip-address | hostname >} [maxttl <1-255>] [minttl <1-255>] [probes <1-5>] [source {<ip-address | source-vlan <vid> | loopback <0-7>}] [dstport
```

```
<1-34000>] [srcport <1-34000>] [ip-option {<record-route | loose-source-route |
strict-source-route | include-timestamp | include-timestamp-and-address | include
timestamp-from>}] [< timeout 1-120 >]
```

Lists the IP address or hostname of each hop in the route, plus the time in microseconds for the `traceroute` packet reply to the switch for each hop.

<pre>{< ip-address hostname >}</pre>	<p>The IP address or hostname of the device to which to send the traceroute.</p>
<pre>[minttl < 1-255 >]</pre>	<p>For the current instance of <code>traceroute</code>, changes the minimum number of hops allowed for each probe packet sent along the route.</p> <ul style="list-style-type: none"> • If <code>minttl</code> is greater than the actual number of hops, the output includes only the hops at and above the <code>minttl</code> threshold. (The hops below the threshold are not listed.) • If <code>minttl</code> matches the actual number of hops, only that hop is shown in the output. • If <code>minttl</code> is less than the actual number of hops, all hops are listed. <p>For any instance of <code>traceroute</code>, if you want a <code>minttl</code> value other than the default, you must specify that value.(Default: 1)</p>
<pre>[maxttl < 1-255 >]</pre>	<p>For the current instance of <code>traceroute</code>, changes the maximum number of hops allowed for each probe packet sent along the route.If the destination address is further from the switch than <code>maxttl</code> allows, <code>traceroute</code> lists the IP addresses for all hops it detects up to the <code>maxttl</code> limit.For any instance of <code>traceroute</code>, if you want a <code>maxttl</code> value other than the default, you must specify that value.(Default: 30)</p>
<pre>[probes < 1-5 >]</pre>	<p>For the current instance of <code>traceroute</code>, changes the number of queries the switch sends for each hop in the route.For any instance of <code>traceroute</code>, if you want a probes value other than the default, you must specify that value.(Default: 3)</p>
<pre>[source {< ip- addr vid loopback <0-7> >}]</pre>	<p>The source IPv4 address, VLAN ID, or Loopback address.</p>
<pre>[dstport < 1-34000 >]</pre>	<p>Destination port.</p>

Table Continued

Source port.

```
[srcport <
1-34000 >]
```

Specify an IP option, such as loose or strict source routing, or an include-timestamp option: [include-timestamp]: Adds the timestamp option to the IP header. The timestamp displays the amount of travel time to and from a host. Default: 9 [include-timestamp-and-address]: Records the intermediate router's timestamp and IP address. Default: 4 [loose-source-route <IP-addr>] : Prompts for the IP address of each source IP on the path. It allows you to specify the IP addresses that you want the ping packet to go through; the packet may go through other IP addresses as well. [record-route <1-9>] : Displays the IP addresses of the interfaces that the ping packet goes through on its way to the destination and on the way back. When specified without loose or strict recording, the source route is not recorded. The source route is automatically recorded when loose or strict source routing is enabled. Default: 9 [strict-source-route <IP-addr>] : Restricts the ping packet to only those IP addresses that have been specified and no other addresses. [timeout <1-120>]: For the current instance of traceroute, changes the timeout period the switch waits for each probe of a hop in the route. For any instance of traceroute, if you want a timeout value other than the default, you must specify that value. (Default: 5 seconds)



For information about `traceroute6`, see the IPv6 configuration guide for your switch.

Halting an ongoing traceroute search

Press the **[Ctrl] [C]** keys.

A low maxttl causes traceroute to halt before reaching the destination address

Executing `traceroute` with its default values for a destination IP address that is four hops away produces a result similar to this:

Figure 121: A completed traceroute enquiry

```
HP Switch# traceroute 125.25.24.35
traceroute to 125.25.24.35 ,
  1 hop min, 30 hops max, 5 sec. timeout, 3 probes
 1 10.255.120.2          0 ms    0 ms    0 ms
 2 10.71.217.2          7 ms    3 ms    0 ms
 3 10.243.170.1         0 ms    1 ms    0 ms
 4 125.25.24.35         3 ms    3 ms    0 ms
```

Destination IP Address

Intermediate router hops with the time taken for the switch to receive an acknowledgement of each probe reaching each router.

Continuing from the previous Example: (**Figure 121: A completed traceroute enquiry** on page 527), executing `traceroute` with an insufficient `maxttl` for the actual hop count produces an output similar to this:

Figure 122: *Incomplete traceroute because of low maxttl setting*

```

Traceroute does not reach destination IP address because of low maxttl setting.
Switch# traceroute 125.25.24.35 (maxttl 3)
traceroute to 125.25.24.35 ,
          1 hop min, 30 hops max, 5 sec. timeout, 3 probes
 1 10.255.120.2          0 ms          0 ms          0 ms
 2 10.71.217.2          0 ms          0 ms          0 ms
 3 10.243.170.1         0 ms *          0 ms
  
```

The asterisk indicates there was a timeout on the second probe to the third hop.

If a network condition prevents traceroute from reaching the destination

Common reasons for `traceroute` failing to reach a destination include:

- Timeouts (indicated by one asterisk per probe, per hop)
- Unreachable hosts
- Unreachable networks
- Interference from firewalls
- Hosts configured to avoid responding

Executing `traceroute` where the route becomes blocked or otherwise fails results in an output marked by timeouts for all probes beyond the last detected hop. For example, with a maximum hop count of 7 (`maxttl = 7`), where the route becomes blocked or otherwise fails, the output appears similar to this:

Figure 123: *Traceroute failing to reach the destination address*

```

At hop 3, the first and third probes timed out but the second probe reached the router.
All further probes within the maxttl timed-out without finding a router or the destination IP address.
HP Switch# traceroute 125.25.24.35 maxttl 7
traceroute to 107.64.197.100 ,
          1 hop min, 7 hops max, 5 sec. timeout, 3 probes
 1 10.255.120.2          0 ms          0 ms          0 ms
 2 10.71.217.2          0 ms          0 ms          0 ms
 3 * 10.243.170.1         0 ms *          *
 4 * * * *
 5 * * * *
 6 * * * *
 7 * * * *
  
```

An asterisk indicates a timeout without finding the next hop.

Viewing switch configuration and operation

In some troubleshooting scenarios, you may need to view the switch configuration to diagnose a problem. The complete switch configuration is contained in a file that you can browse from the CLI using the commands described in this section.

Viewing the startup or running configuration file

Syntax:

```
write terminal
```

Displays the running configuration.

<code>show config</code>	Displays the startup configuration.
<code>show running-config</code>	Displays the running-config file.

For more information and examples of how to use these commands, see “Switch Memory and Configuration” in the basic operation guide.

Viewing the configuration file (WebAgent)

To display the running configuration using the WebAgent:

1. In the navigation pane, click **Troubleshooting**.
2. Click **Configuration Report**.
3. Use the right-side scroll bar to scroll through the configuration listing.

Viewing a summary of switch operational data

Syntax:

```
show tech
```

By default, the `show tech` command displays a single output of switch operating and running-configuration data from several internal switch sources, including:

- Image stamp (software version data)
- Running configuration
- Event Log listing
- Boot history
- Port settings
- Status and counters — port status
- IP routes
- Status and counters — VLAN information
- GVRP support
- Load balancing (trunk and LACP)

The show tech command on page 529 shows sample output from the `show tech` command.

The show tech command

```
switch# show tech

show system

  Status and Counters - General System Information

  System Name       : Switch
  System Contact    :
  System Location   :
```

```

MAC Age Time (sec) : 300

Time Zone          : 0
Daylight Time Rule : None

Software revision  : XX.14.xx      Base MAC Addr  : 001871-c42f00
ROM Version        : XX.12.12     Serial Number  : SG641SU00L

Up Time           : 23 hours      Memory - Total :
CPU Util (%)      : 10             Free          :

IP Mgmt - Pkts Rx : 759           Packet - Total : 6750
          Pkts Tx : 2             Buffers Free  : 5086
                                       Lowest         : 4961
                                       Missed         : 0

```

```

show flash
Image      Size(Bytes)  Date  Version
-----

```

To specify the data displayed by the `show tech` command, use the `copy show tech` command.

Saving show tech command output to a text file

When you enter the `show tech` command, a summary of switch operational data is sent to your terminal emulator. You can use your terminal emulator's text capture features to save the `show tech` data to a text file for viewing, printing, or sending to an associate to diagnose a problem.

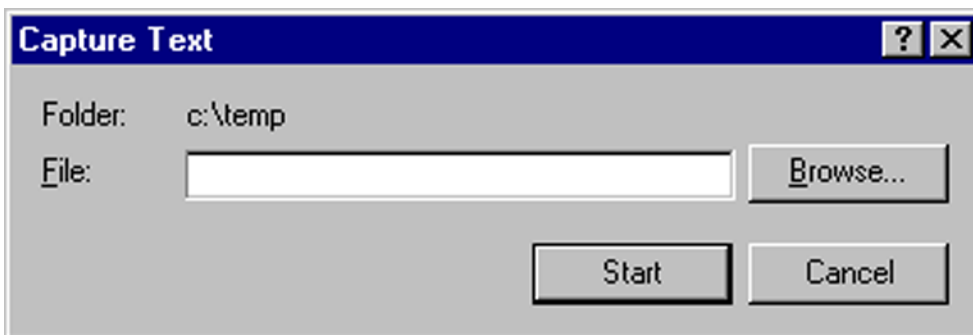
For example, if your terminal emulator is the Hyperterminal application available with Microsoft® Windows® software, you can copy the `show tech` output to a file and then use either Microsoft Word or Notepad to display the data. (In this case, Microsoft Word provides the data in an easier-to-read format.)

The following example uses the Microsoft Windows terminal emulator. If you are using a different terminal emulator application, see the documentation provided with the application.

Procedure

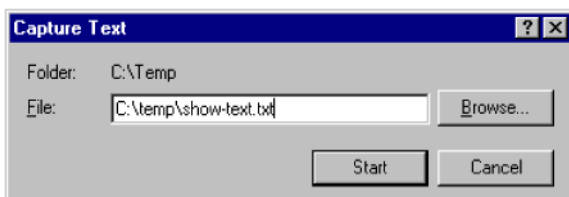
1. In Hyperterminal, click on `Transfer|Capture Text...`

Figure 124: *Capture text window of the Hyperterminal application*



2. In the `File` field, enter the path and file name in which you want to store the `show tech` output.

Figure 125: *Entering a path and filename for saving show tech output*



3. Click **[Start]** to create and open the text file.
4. From the global configuration context, enter the `show tech` command:

```
switch# show tech
```

The `show tech` command output is copied into the text file and displayed on the terminal emulator screen. When the command output stops and displays `-- MORE --`, press the Space bar to display and copy more information. The CLI prompt appears when the command output finishes.

5. Click on `Transfer|Capture Text|Stop` in HyperTerminal to stop copying data and save the text file.
If you do not stop HyperTerminal from copying command output into the text file, additional unwanted data can be copied from the HyperTerminal screen.
6. To access the file, open it in Microsoft Word, Notepad, or a similar text editor.

Customizing show tech command output

Use the `copy show tech` command to customize the detailed switch information displayed with the `show tech` command to suit your troubleshooting needs.

To customize the information displayed with the `show tech` command:

Procedure

1. Determine the information that you want to gather to troubleshoot a problem in switch operation.
2. Enter the `copy show tech` command to specify the data files that contain the information you want to view.

Syntax:

```
copy <source> show-tech
```

Specifies the operational and configuration data from one or more source files to be displayed by the `show tech` command. Enter the command once for each data file that you want to include in the display.

Default: Displays data from all source files, where `<source>` can be any one of the following values:

<code>command-output "<command>"</code>	Includes the output of a specified command in <code>show-tech</code> command output. Enter the command name between double-quotation marks, For example, <code>copy "show system" show-tech</code> .
<code>crash-data [slot-id master]</code>	Includes the crash data from all management and interface modules in <code>show tech</code> command output. To limit the amount of crash data displayed, specify an installed module or management modules, where: <ul style="list-style-type: none"> • <code>slot-id</code>: Includes the crash data from an installed module. Valid slot IDs are the letters <code>a</code> through <code>h</code>. • <code>master</code>: Includes the crash data from both management modules.
<code>crash-log [slot-id master]</code>	Includes the crash logs from all management and interface modules in <code>show tech</code> command output. To limit the amount of crash-log data displayed, specify an installed module or management modules, where: <p><code>slot-id</code>: Includes the crash log from an installed module. Valid slot IDs are the letters <code>a</code> through <code>h</code>.</p> <p><code>master</code>: Includes the crash log from both management modules.</p>
<code>event-log</code>	Copies the contents of the Event Log to <code>show tech</code> command output.
<code>running-config</code>	Includes the contents of the running configuration file in <code>show tech</code> command output
<code>startup-config</code>	Includes the contents of the startup configuration file in <code>show tech</code> command output.

Table Continued

<pre>tftp config {<startup-config running-config} <ip-addr> <remote- file> {<pc unix>}</pre>	<p>Downloads the contents of a configuration file from a remote host to <code>show tech</code> command output, where:</p> <p><code><ip-addr></code> : Specifies the IP address of the remote host device.</p> <p><code><remote-file></code>: Specifies the pathname on the remote host for the configuration file whose contents you want to include in the command output.</p> <p><code>pc unix</code>: Specifies whether the remote host is a DOS-based PC or UNIX workstation.</p> <p>For more information on using <code>copy tftp</code> commands, see File Transfers on page 316.</p>
<pre>xmodem config {<startup-config config < filename > command-file < acl-filename.txt >} {<pc unix>}</pre>	<p>Copies the contents of a configuration file or ACL command file from a serially connected PC or UNIX workstation to <code>show tech</code> command output, where:</p> <p><code>startup-config</code>: Specifies the name of the startup configuration file on the connected device.</p> <p><code>config <filename></code> : Specifies the pathname of a configuration file on the connected device.</p> <p><code>command-file <acl-filename.txt></code> : Specifies the pathname of an ACL command file on the connected device.</p> <p><code>pc unix</code>: Specifies whether the connected device is a DOS-based PC or UNIX workstation.</p> <p>For more information on using <code>copy xmodem</code> commands, see File Transfers on page 316.</p>

Viewing more information on switch operation

Use the following commands to display additional information on switch operation for troubleshooting purposes.

Syntax:

```
show boot-history
```

Displays the crash information saved for each management module on the switch.

```
show history
```

Displays the current command history. This command output is used for reference or when you want to repeat a command (See **Displaying the information you need to diagnose problems** on page 536).

```
show system-information
```

Displays globally configured parameters and information on switch operation.

```
show version
```

Displays the software version currently running on the switch and the flash image from which the switch booted (primary or secondary). For more information, see "Displaying Management Information" in the "Redundancy (Switch 8212zl)".

```
show interfaces
```

Displays information on the activity on all switch ports (see "Viewing Port Status and Configuring Port Parameters" in the "Port Status and Configuration").

```
show interfaces-display
```

Displays the same information as the `show interfaces` command and dynamically updates the output every three seconds. Press **Ctrl + C** to stop the dynamic updates of system information. Use the Arrow keys to view information that is off the screen.

Searching for text using pattern matching with show command

Selected portions of the output are displayed, depending on the parameters chosen.

Syntax:

```
show {< command option > | < include | exclude | begin >} <regular expression>
```

Uses matching pattern searches to display selected portions of the output from a `show` command. There is no limit to the number of characters that can be matched. Only regular expressions are permitted; symbols such as the asterisk cannot be substituted to perform more general matching.

<code>include</code>	Only the lines that contain the matching pattern are displayed in the output.
<code>exclude</code>	Only the lines that contain the matching pattern are not displayed in the output.
<code>begin</code>	The display of the output begins with the line that contains the matching pattern.



Pattern matching is case-sensitive.

Following are examples of what portions of the running config file display depending on the option chosen.

Pattern matching with include option

```
switch(config)# show run | include ipv6 1
  ipv6 enable
  ipv6 enable
ipv6 access-list "EH-01"
switch(config)#
```

¹Displays only lines that contain "ipv6".

Pattern matching with exclude option

```
switch(config)# show run | exclude ipv6 1

Running configuration:
```

```

; J9299A Configuration Editor; Created on release #WB.15.XX

hostname "HP Switch"
snmp-server community "notpublic" Unrestricted
vlan 1
  name "DEFAULT_VLAN"
  untagged A1-A24,B1-B20
  ip address dhcp-bootp
  no untagged B21-B24
  exit
vlan 20
  name "VLAN20"
  untagged B21-B24
  no ip address
  exit
policy qos "michael"
  exit
  sequence 10 deny tcp 2001:db8:255::/48 2001:db8:125::/48
  exit
no autorun
password manager

```

¹Displays all lines that do not contain "ipv6".

Pattern matching with begin option

```

switch(config)# show run | begin ipv6 1
  ipv6 enable
  no untagged 21-24
  exit
vlan 20
  name "VLAN20"
  untagged 21-24
  ipv6 enable
  no ip address
  exit
policy qos "michael"
  exit
ipv6 access-list "EH-01"
  sequence 10 deny tcp 2001:db8:255::/48 2001:db8:125::/48
  exit
no autorun
password manager

```

¹Displays the running config beginning at the first line that contains "ipv6".

The following is an Example: of the `show arp` command output, and then the output displayed when the `include` option has the IP address of `15.255.128.1` as the regular expression.

The show arp command and pattern matching with the include option

```

switch(config)# show arp

IP ARP table

  IP Address          MAC Address          Type      Port
  -----          -
  15.255.128.1       00000c-07ac00       dynamic  B1
  15.255.131.19     00a0c9-b1503d       dynamic

```

```
15.255.133.150 000bcd-3cbeec dynamic B1
```

```
switch(config)# show arp | include 15.255.128.1  
15.255.128.1 00000c-07ac00 dynamic B1
```

Displaying the information you need to diagnose problems

Use the following commands in a troubleshooting session to more accurately display the information you need to diagnose a problem.

Syntax:

```
alias
```

Creates a shortcut alias name for commonly used commands and command options.

Syntax:

```
kill
```

Terminates a currently running, remote troubleshooting session. Use the `show ip ssh` command to list the current management sessions.

Syntax:

```
[no] page
```

Toggles the paging mode for `show` commands between continuous listing and per-page listing.

Syntax:

```
repeat
```

Repeatedly executes one or more commands so that you can see the results of multiple commands displayed over a period of time. To halt the command execution, press any key on the keyboard.

Syntax:

```
setup
```

Displays the Switch Setup screen from the menu interface.

Restoring the factory-default configuration

As part of your troubleshooting process, it may become necessary to return the switch configuration to the factory default settings. This process:

- Momentarily interrupts the switch operation
- Clears any passwords
- Clears the console Event Log
- Resets the network counters to zero
- Performs a complete self test
- Reboots the switch into its factory default configuration, including deleting an IP address

There are two methods for resetting to the factory-default configuration:

- CLI
- Clear/Reset button combination



Hewlett Packard Enterprise recommends that you save your configuration to a TFTP server before resetting the switch to its factory-default configuration. You can also save your configuration via Xmodem to a directly connected PC.

Resetting to the factory-default configuration

Using the CLI

This command operates at any level **except** the Operator level.

Syntax:

```
erase startup-configuration
```

Deletes the startup-config file in flash so that the switch will reboot with its factory-default configuration.



The `erase startup-config` command does not clear passwords unless `include-credentials` has been set, at which time this command does erase username/password information and any other credentials stored in the config file. For more information, see the section on "Saving Security Credentials in a Config File" in the access security guide for your switch.

Using Clear/Reset

Procedure

1. Using pointed objects, simultaneously press both the `Reset` and `Clear` buttons on the front of the switch.
2. Continue to press the `Clear` button while releasing the `Reset` button.
3. When the Self Test LED begins to flash, release the `Clear` button.

The switch then completes its self test and begins operating with the configuration restored to the factory default settings.

Restoring a flash image

The switch can lose its operating system if either the primary or secondary flash image location is empty or contains a corrupted OS file and an operator uses the `erase flash` command to erase a good OS image file from the opposite flash location.

Recovering from an empty or corrupted flash state

Use the switch's console serial port to connect to a workstation or laptop computer that has the following:

- A terminal emulator program with Xmodem capability, such as the HyperTerminal program included in Windows PC software.
- A copy of a good OS image file for the switch



The following procedure requires the use of Xmodem and copies an OS image into primary flash only.

This procedure assumes you are using HyperTerminal as your terminal emulator. If you use a different terminal emulator, you may need to adapt this procedure to the operation of your particular emulator.

1. Start the terminal emulator program.

Ensure that the terminal program is configured as follows:

- Baud rate: 9600
- No parity
- 8 Bits
- 1 stop bit
- No flow control

2. Use the `Reset` button to reset the switch.

The following prompt should then appear in the terminal emulator:

```
Enter h or ? for help.
```

```
=>
```

3. Because the OS file is large, you can increase the speed of the download by changing the switch console and terminal emulator baud rates to a high speed. For Example:

a. Change the switch baud rate to 115,200 Bps.

```
=> sp 115200
```

b. Change the terminal emulator baud rate to match the switch speed:

- I. In HyperTerminal, select **Call|Disconnect**.
- II. Select **File|Properties**.
- III. Click on **Configure**.
- IV. Change the baud rate to **115200**.
- V. Click on **[OK]**, then in the next window, click on **[OK]** again.
- VI. Select **Call|Connect**.
- VII. Press **[Enter]** one or more times to display the => prompt.

4. Start the Console Download utility by entering `do` at the => prompt and pressing **[Enter]**:

```
=> do
```

5. You then see this prompt:

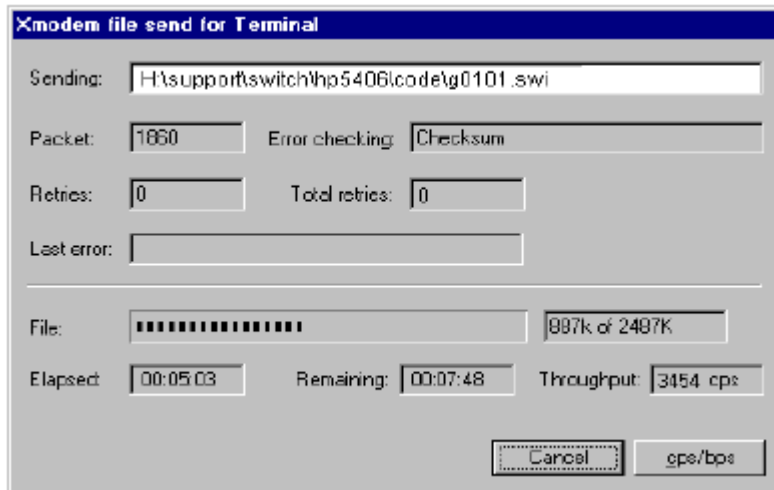
```
You have invoked the console download utility.  
Do you wish to continue? (Y/N)>_
```

6. At the above prompt:

- a. Enter **y** (for Yes)
- b. Select **Transfer|File** in HyperTerminal.
- c. Enter the appropriate filename and path for the OS image.
- d. Select the **Xmodem** protocol (and not the 1k Xmodem protocol).
- e. Click on **[Send]**.

If you are using HyperTerminal, you will see a screen similar to the following to indicate that the download is in progress:

Figure 126: Example of Xmodem download in progress



When the download completes, the switch reboots from primary flash using the OS image you downloaded in the preceding steps, plus the most recent startup-config file.

DNS resolver

The domain name system (DNS) resolver is designed for use in local network domains, where it enables the use of a host name or fully qualified domain name with DNS-compatible switch CLI commands.

DNS operation supports both IPv4 and IPv6 DNS resolution and multiple, prioritized DNS servers. (For information on IPv6 DNS resolution, see the latest IPv6 configuration guide for your switch.)

Basic operation

- When the switch is configured with only the IP address of a DNS server available to the switch, a DNS-compatible command, executed with a fully qualified domain name, can reach a device found in any domain accessible through the configured DNS server.
- When the switch is configured with both of the following:
 - The IP address of a DNS server available to the switch
 - The domain suffix of a domain available to the configured DNS server then:

- A DNS-compatible command that includes the host name of a device in the same domain as the configured domain suffix can reach that device.
- A DNS-compatible command that includes a fully qualified domain name can reach a device in any domain that is available to the configured DNS server.

Example:

Suppose the switch is configured with the domain suffix `mygroup.HP Switch.net` and the IP address for an accessible DNS server. If an operator wants to use the switch to ping a target host in this domain by using the DNS name "leader" (assigned by a DNS server to an IP address used in that domain), the operator can use either of the following commands:

Figure 127: Example: of using either a host name or a fully qualified domain name

```
HP Switch# ping leader
10.28.229.220 is alive, time = 1 ms

HP Switch# ping leader.mygroup.HP Switch.net
10.28.229.220 is alive, time = 1 ms
```

In the preceding Example:, if the DNS server's IP address is configured on the switch, but a domain suffix is either not configured or is configured for a different domain than the target host, the fully qualified domain name **must** be used.

Note that if the target host is in a domain **other than** the domain configured on the switch:

- The host's domain must be reachable from the switch. This requires that the DNS server for the switch must be able to communicate with the DNS servers in the path to the domain in which the target host operates.
- The fully qualified domain name must be used, and the domain suffix must correspond to the domain in which the target host operates, regardless of the domain suffix configured in the switch.

Example:

Suppose the switch is configured with the domain suffix `mygroup.HP Switch.net` and the IP address for an accessible DNS server in this same domain. This time, the operator wants to use the switch to trace the route to a host named "remote-01" in a different domain named `common.group.net`. Assuming this second domain is accessible to the DNS server already configured on the switch, a `traceroute` command using the target's fully qualified DNS name should succeed.

Figure 128: Example: using the fully qualified domain name for an accessible target in another domain

```
HP Switch# traceroute remote-01.common.group.net
[traceroute to 10.22.240.73]
1 hop min, 30 hops max, 5 sec. timeout, 3 probes
 1 10.28.229.3          0 ms          0 ms          0 ms
 2 10.71.217.1         0 ms          0 ms          0 ms
 3 10.0.198.2          1 ms          0 ms          0 ms
[4 10.22.240.73      0 ms          0 ms          0 ms]
```

Configuring and using DNS resolution with DNS-compatible commands

The DNS-compatible commands include `ping` and `traceroute`.)

Procedure

1. Determine the following:
 - a. The IP address for a DNS server operating in a domain in your network.
 - b. The priority (1 to 3) of the selected server, relative to other DNS servers in the domain.
 - c. The domain name for an accessible domain in which there are hosts you want to reach with a DNS-compatible command. (This is the domain suffix in the fully qualified domain name for a given host operating in the selected domain. See **Basic operation** on page 539.) Note that if a domain suffix is not configured, fully qualified domain names can be used to resolve DNS-compatible commands.
 - d. The host names assigned to target IP addresses in the DNS server for the specified domain.
2. Use the data from the first three bullets in step1 to configure the DNS entry on the switch.
3. Use a DNS-compatible command with the host name to reach the target devices.

Configuring a DNS entry

The switch allows up to two DNS server entries (IP addresses for DNS servers). One domain suffix can also be configured to support resolution of DNS names in that domain by using a host name only. Including the domain suffix enables the use of DNS-compatible commands with a target's host name instead of the target's fully qualified domain name.

Syntax:

```
[no] ip dns server-address priority <1-3> <ip-addr>
```

Configures the access priority and IP address of a DNS server accessible to the switch. These settings specify:

- The relative priority of the DNS server when multiple servers are configured
- The IP address of the DNS server

These settings must be configured before a DNS-compatible command can be executed with host name criteria.

The switch supports two prioritized DNS server entries. Configuring another IP address for a priority that has already been assigned to an IP address is not allowed.

To replace one IP address at a given priority level with another address having the same priority, you must first use the `no` form of the command to remove the unwanted address. Also, only one instance of a given server address is allowed in the server list. Attempting to enter a duplicate of an existing entry at a different priority level is not allowed .

To change the priority of an existing server address, use the `no` form of the command to remove the entry, then re-enter the address with the new priority.

The `no` form of the command replaces the configured IP address with the null setting. (Default: null)

Syntax:

```
[no] ip dns domain-name <domain-name-suffix>
```

This optional DNS command configures the domain suffix that is automatically appended to the host name entered with a DNS-compatible command. When the domain suffix and the IP address for a DNS server that can access that domain are both configured on the switch, you can execute a DNS-compatible command using only the host name of the desired target. (For an Example:, see **Example: of using either a host name or a fully**

qualified domain name.) In either of the following two instances, you must manually provide the domain identification by using a fully qualified DNS name with a DNS-compatible command:

- If the DNS server IP address is configured on the switch, but the domain suffix is not configured (null).
- The domain suffix configured on the switch is not the domain in which the target host exists.

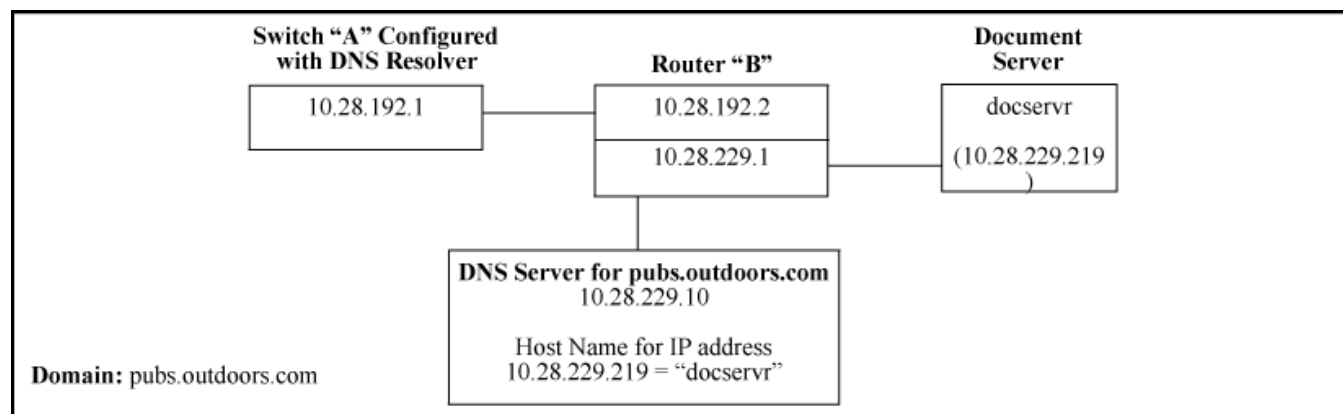
The switch supports one domain suffix entry and three DNS server IP address entries. (See the preceding command description.)

The `no` form of the command replaces the configured domain suffix with the null setting. (Default: null)

Using DNS names with ping and traceroute: Example:

In the network illustrated in **Figure 129: Example: network domain** on page 542, the switch at 10.28.192.1 is configured to use DNS names for DNS-compatible commands in the **pubs.outdoors.com** domain. The DNS server has been configured to assign the host name **docservr** to the IP address used by the document server (10.28.229.219).

Figure 129: Example: network domain



Configuring switch "A" with the domain name and the IP address of a DNS server for the domain enables the switch to use host names assigned to IP addresses in the domain to perform `ping` and `traceroute` actions on the devices in the domain. To summarize:

Entity	Identity
DNS server IP address	10.28.229.10
Domain name (and domain suffix for hosts in the domain)	pubs.outdoors.com
Host name assigned to 10.28.229.219 by the DNS server	docservr
Fully qualified domain name for the IP address used by the document server (10.28.229.219)	docservr.pubs.outdoors.com
Switch IP address	10.28.192.1
Document server IP address	10.28.229.219

With the above already configured, the following commands enable a DNS-compatible command with the host name `docserver` to reach the document server at 10.28.229.219.

Configuring switch "A" in Example: network domain to support DNS resolution

```
switch(config)# ip dns server-address 10.28.229.10
switch(config)# ip dns domain-name pbs.outdoors.com
```

Ping and traceroute execution for the network in Example: network domain

```
switch(config)# ping docservr
10.28.229.219 is alive, time = 1 ms
```

```
switch# traceroute docservr
traceroute to 10.28.229.219
      1 hop min, 30 hops max, 5 sec. timeout, 3 probes
 1 10.28.192.2 1          1 ms      0 ms      0 ms
 2 10.28.229.219 2         0 ms      0 ms      0 ms
```


- ¹First-Hop Router ("B")
- ²Traceroute Target

As mentioned under the following example, if the DNS entry configured in the switch does not include the domain suffix for the desired target, you must use the target host's fully qualified domain name with DNS-compatible commands. For example, using the document server in [Figure 129: Example: network domain](#) on page 542 as a target:

Figure 130: Example: of *ping* and *traceroute* execution when only the DNS server IP address is configured

```
HP Switch# ping [docservr.pubs.outdoors.com]
10.28.229.219 is alive, time = 1 ms

HP Switch# traceroute [docservr.pubs.outdoors.com]
traceroute to 10.28.229.219
      1 hop min, 30 hops max, 5 sec. timeout, 3 probes
 1 10.28.192.2          1 ms      0 ms      0 ms
 2 10.28.229.219       0 ms      0 ms      0 ms
```



The diagram shows a callout box with the text "Target's Fully Qualified Domain Name" and two arrows pointing to the domain name "docservr.pubs.outdoors.com" in the commands shown in the terminal output above.

Viewing the current DNS configuration

The `show ip` command displays the current domain suffix and the IP address of the highest priority DNS server configured on the switch, along with other IP configuration information. If the switch configuration currently includes a non-default (non-null) DNS entry, it will also appear in the `show run` command output.

Figure 131: Example: of viewing the current DNS configuration

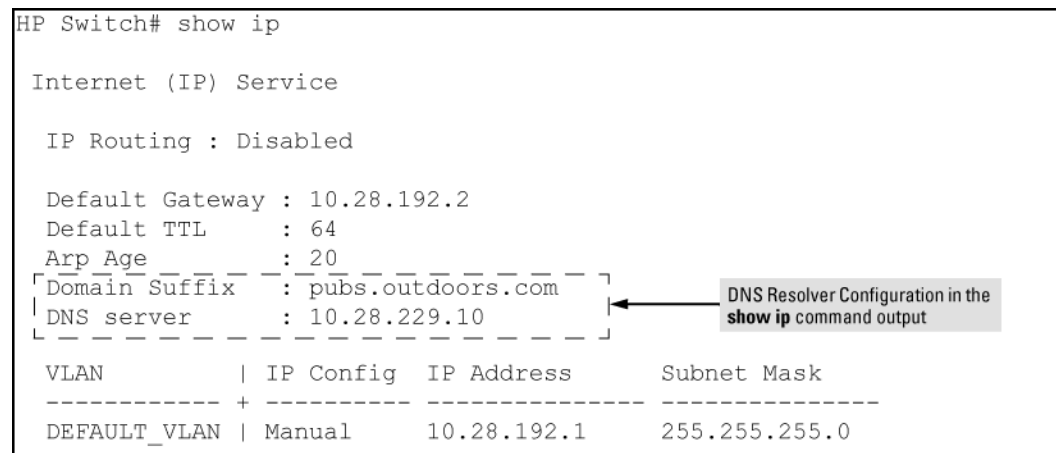
```
HP Switch# show ip

Internet (IP) Service

  IP Routing : Disabled

  Default Gateway : 10.28.192.2
  Default TTL     : 64
  Arp Age        : 20
  Domain Suffix  : pubs.outdoors.com
  DNS server     : 10.28.229.10

-----+-----+-----+-----+
VLAN      | IP Config | IP Address | Subnet Mask |
-----+-----+-----+-----+
DEFAULT_VLAN | Manual   | 10.28.192.1 | 255.255.255.0 |
```



Operating notes

- Configuring another IP address for a priority that has already been assigned to an IP address is not allowed. To replace one IP address at a given priority level with another address having the same priority, you must first use the `no` form of the command to remove the unwanted address. Also, only one instance of a given server address is allowed in the server list. Attempting to enter a duplicate of an existing entry at a different priority level is not allowed. To change the priority of an existing server address, use the `no` form of the command to remove the entry, then re-enter the address with the new priority.
- To change the position of an address already configured with priority `x`, you must first use `no ip dns server-address priority x <ip-addr>` to remove the address from the configuration, then use `ip dns server-address priority <ip-addr>` to reconfigure the address with the new priority. Also, if the priority to which you want to move an address is already used in the configuration for another address, you must first use the `no` form of the command to remove the current address from the target priority.
- The DNS servers and domain configured on the switch must be accessible to the switch, but it is not necessary for any intermediate devices between the switch and the DNS server to be configured to support DNS operation.
- When multiple DNS servers are configured on the switch, they can reside in the same domain or different domains.
- A DNS configuration must include the IP address for a DNS server that is able to resolve host names for the desired domain. If a DNS server has limited knowledge of other domains, its ability to resolve DNS-compatible command requests is also limited.
- If the DNS configuration includes a DNS server IP address but does not also include a domain suffix, then any DNS-compatible commands should include the target host's fully qualified domain name.
- Switch-Initiated DNS packets go out through the VLAN having the best route to the DNS server, even if a Management VLAN has been configured.
- The DNS server address must be manually input. It is not automatically determined via DHCP.

Event Log messages

Please see the *Event Log Message Reference Guide* for information about Event Log messages.

Locating a switch (Locator LED)

To locate where a particular switch is physically installed, use the `chassislocate` command to activate the blue Locator LED on the switch's front panel.

Syntax:

```
chassislocate [blink | on | off]
```

Locates a switch by using the blue Locate LED on the front panel.

<code>blink <1-1440></code>	Blinks the chassis Locate LED for a specified number of minutes (Default: 30 minutes).
<code>on <1-1440></code>	Turns the chassis Locate LED on for a specified number of minutes (Default: 30 minutes).
<code>off</code>	Turns the chassis Locate LED off.

Locating a switch with the `chassislocate` command

```
switch(config)# chassislocate
  blink <1-1440>      Blink the chassis locate led (default 30 minutes).
  off                 Turn the chassis locate led off.
  on <1-1440>        Turn the chassis locate led on (default 30 minutes).
switch(config)# chassislocate
```

For redundant management systems, if the active management module failover, the Locator LED does not remain lit.

Job Scheduler

The Job Scheduler feature enables the user to schedule commands or jobs on the switch for one time or multiple times. This is similar in concept to the UNIX 'cron' utility. The user can schedule any CLI command that the user would otherwise enter interactively. This includes commands to enable or disable ports, LEDs, and Power-Over-Ethernet. Jobs can also be scheduled to be triggered by certain pre-defined events such as switch reboot. The only major restriction on commands scheduled is that, it should not prompt/ask for any user inputs.

Commands

Job at | delay | enable | disable

Set schedule jobs using the options and set the count for the number of times the job is repeated.

Syntax

```
job JOB NAME at | delay | enable | disable
```

Description

Schedule a command to run automatically. Jobs can be scheduled to run once, multiple times on a recurring basis, or after certain events such as reboots. All commands run with manager privilege in configuration context.

The [no] form of the command deletes a scheduled job.

By default, jobs will be repeated an infinite number of times.

Restrictions

Jobs scheduled at any event will not be counted.

Jobs that are scheduled at the event "reboot" will not work in some multi management switches.

Range

- <1-1000>: is the value range for the `count` option.
- ([[DD:]HH:]MM): is the format used for the specific delay.

Options

count

Specify the number of times the job should run.

delay

Specify the delay before running the job.

enable

Enable a job that is disabled or expired.

disable

Disable a job. By default, a job is enabled.

Usage

```
job <JOB NAME> at <([DD:]HH:]MM on <WEEKDAY-LIST>> config-save <COMMAND> count <1-1000>
```

```
job <JOB NAME> at <[HH:]MM on [MM/]DD> config-save <COMMAND> count <1-1000>
```

```
job <JOB NAME> at <EVENT> config-save <COMMAND>
```

```
job <JOB NAME> delay <([DD:]HH:]MM> config-save <COMMAND> count <1-1000>
```

```
job <JOB NAME> enable | disable
```

```
[no] job <JOB NAME>
```

Show job

Syntax

```
show job
```

Description

Show the jobs scheduled.

Show job

```
switch# show job
```

```
Job Scheduler Status and Configuration
```

```
Scheduler Status : Waiting for the system time to be set
```

Name	Event or Time	Repeat Count	Save Cfg	Command
Burrrrrrrrrrrrr...	reboot	--	Yes	chassislocate blink
baz	reboot	--	No	show time
foo	17:00 SxTWTxS	--	No	savepower led
a1	12:00	2	Yes	sh time
a2	Every 2:14:30 days	75	Yes	vlan 3
a3	Every 00:00:25 days	1	No	vlan 4



Caution

The scheduler does not run until the system time is set.

Show job <Name>

Syntax

```
show job JOB NAME
```

Description

Show the job by name.

Show job <JOB NAME>

```
switch# show job a1
```

Job Information

```
Job Name      : a1
Runs At       : 01:24
Config Save   : No
Repeat Count  : --
Job Status    : Enabled
Run Count     : 1
Error Count   : 0
Command       : show time
Job Status    : Enabled
```

Output from Last Run

```
-----
Tue Dec 15 01:24:00 2015
```

```
switch# show job a2
```

Job Information

```
Job Name      : a2
Runs At       : Every 2:14:30 days
Config Save   : Yes
Repeat Count  : 75
Run Count     : 0
Error Count   : 0
Command       : vlan 3
Job Status    : Disabled
```

```
switch# show job foo
```

Job Information

```
Job Name      : foo
Runs At       : 17:00 SxTWTxS
Config Save   : Yes
Repeat Count  : --
Run Count     : 0
Error Count   : 0
Command       : savepower led
Job Status    : Enabled
```

Overview

The traditional way of restoring a configuration from a backup configuration file required a switch reboot for the new configurations to be effective. There were network outages and a planned downtime for even minor changes. The switch configuration can now be restored from a backup configuration without reboot. It also provides hash of the current running configuration, which can be used for auditing.

The backup configuration can be created using the new command `cfg-backup`. An existing method of copying a configuration file from a remote location (for example, TFTP server) can also be used to backup a configuration or copied from flash.

More information

[show hash](#) on page 569

[cfg-backup](#) on page 553

[cfg-restore config_bkp](#) on page 562

Benefits of configuration restore without reboot

- Restores a new or modified configuration without reboot, with minimal network outage. Any NMS can use this method for configuration rebase workflows. Only configurations that were exported from the switch can be imported or restored on the switch.
- Restores the configuration without reboot from a backup configuration when the running configuration has functional issues, like misconfigurations from remote management stations.

Recommended scenarios

- Use the configuration restore feature for incremental configuration updates.
- Use the `force` option with `cfg-restore`, for commands which require reboot.
- Use the `verbose` option to get detailed progress on the configuration restore process.

More information

[Force configuration restore](#) on page 557

[cfg-restore verbose](#) on page 561

Use cases

- A user can switch to a new configuration without rebooting the switch.
- If a user loses connectivity after applying the new configuration, a job scheduler executes the job after a specific time frame. This restores the current configuration to the switch, without rebooting it.

More information

[Switching to a new configuration](#) on page 550

Switching to a new configuration

Procedure

1. Back up the configuration using `cfg-backup running-config config <config_name>` command. In the following example, the configuration name used is “stable”.

```
cfg-backup running-config config stable
```

2. Check the backup configuration using `show config files` command.

```
switch(config)# show config files
```

```
Configuration files:
```

id	act	pri	sec	name
1	*	*	*	config
2				stable
3				
4				
5				

3. Change the running configuration as required, and backup the new configuration as “newfile”.

```
cfg-backup running-config config newfile
```

```
switch(config)# show config files
```

```
Configuration files:
```

id	act	pri	sec	name
1	*	*	*	config
2				stable
3				newfile
4				
5				

4. Check the difference between the “newfile” (running configuration) and “stable” (backed up configuration) using `cfg-restore flash stable diff` command. Based on the difference, apply the backed-up configuration using `cfg-restore flash stable` command.

5. Check the status of the configuration restore using `show cfg-restore status` command.

```
switch(config)# show cfg-restore status
```

```
Status : Success
Config File Name : stable
Source : Flash
Time Taken : 3 Seconds
Last Run : Tue Nov 28 18:24:09 2017

Recovery Mode : Enabled
Failure Reason : -

Number of Add Commands : 14
Number of Remove Commands : 0
```

```
Time Taken for Each Phase :
Calculating diff          : 1 Seconds
Adding commands           : 2 Seconds
Removing commands         : 0 Seconds
```

Rolling back to a stable configuration using job scheduler

Procedure

1. Configure the job using `alias` with the required configuration.

```
alias <name> <command-list>
job <name> delay [[DD:]HH:]MM <command>
```

To schedule a job execution with `cfg-restore` operation once after 15 minutes (00:00:15):

```
alias "cfg_rollback" "cfg-restore flash stable"
job "cfg_stable" delay 00:00:15 "cfg_rollback" count 1
```

2. Back up the current stable configuration using the command `cfg-backup running-config config <config_name>`.

```
cfg-backup running-config config stable
```

3. Check the backup configuration using the command `show config files`.

```
switch(config)# show config files
```

Configuration files:

id	act	pri	sec	name
1	*	*	*	config
2				stable
3				
4				
5				

4. Edit the configuration as needed. If the user is still connected to the switch, the configuration is stable and the job which reloads the older configuration can be cancelled using the command `no job cfg_stable`.

```
switch(config)# no job cfg_stable
```

5. If the user loses connectivity after applying the new configuration, the job scheduler executes the job after the 15-minute timer expires, and "stable" configuration is restored. Use the following commands to check the output:

- `switch(config)# show job cfg_stable`
- `switch(config)# show cfg-restore status`

```
switch(config)# show job cfg_stable
```

Job Information

```
Job Name       : cfg_stable
Runs At        : Every 00:00:15 days:hours:minutes
Config Save    : No
Repeat Count   : 1
```

```

Job Status      : Enabled
Running Status  : Active
Run Count       : 0
Error Count     : 0
Skip Count      : 0
Command         : cfg_rollback

switch(config)# show cfg-restore status
Status          : Success
Config File Name : stable
Source          : Flash
Time Taken      : 9 Seconds
Last Run        : Tue Nov 28 20:50:00 2017

Recovery Mode   : Enabled
Failure Reason  : -

Number of Add Commands : 27
Number of Remove Commands : 0

Time Taken for Each Phase :
Calculating diff         : 4 Seconds
Adding commands          : 1 Seconds
Removing commands        : 0 Seconds

```



If the configuration involves any sensitive information, backup and restore the configuration by enabling the `include-credentials` command.

Commands used in switch configuration restore without reboot

cfg-backup

Backs up the selected configuration to the flash file.

show config files details

Shows a detailed list of configuration files available in the flash.

cfg-restore

Restores the given configuration as the running configuration without reboot.

show cfg-restore status

Shows the status of latest restore performed.

show cfg-restore latest-diff

Views the list of configuration changes that are removed, modified, or added to the running configuration.

show hash

Shows the SHA ID of a startup or running configuration.

Configuration backup

The configuration backup creates a backup of the running or startup configuration of ArubaOS-Switch on-demand to the flash storage on the switch.

You can now back up the configuration for ArubaOS-Switch feature on the flash storage of the switch. The maximum number of backup files supported has increased from three to five.



When you downgrade configuration backup files from five to three, and if the current number of files is either a four or five, an error message Configuration file <name> stored in config index 5 is not supported in lower image versions is displayed.

cfg-backup

Syntax

```
cfg-backup {running-config | startup-config} config <FILE-NAME>
```

Description

Backs up the selected configuration to the flash file mentioned. When the firmware is downgraded to lower versions, the details of only three configuration files appear in the `show config files` command.

Command context

```
config
```

Parameters

running-config

Copies the running configuration to switch flash file.

startup-config

Copies the startup configuration to switch flash file.

flash

Name of the configuration file in flash.

Usage

```
copy {startup-config | running-config} {sftp | tftp} <server address> <FILE-NAME>
```

The existing `copy` command copies the startup and running configuration to the TFTP or SFTP server.

Examples

```
switch(config)# cfg-backup
  running-config      Backup the running configuration to the flash file
                      mentioned.
  startup-config      Backup the startup configuration to the flash file
                      mentioned.

switch(config)# cfg-backup {running-config | startup-config}
  config              Backup the named configuration file.

switch(config)# cfg-backup {running-config | startup-config} config
  ASCII-STR           Enter an ASCII string.
```

show config files

Syntax

```
show config files
```

Description

Shows a list of configuration files available in the flash.

Command context

```
config
```

Examples

```
switch# show config files  
Configuration files:
```

id	act	pri	sec	name
1	*	*	*	config
2				add
3				modify
4				golden_config
5				poe2

To show the details of saved configuration files:

```
switch(config)# show config files  
details          Show details of saved configuration files.
```

```
switch(config)#show config files details
```

Backup Configuration files:

```
File Name       : config  
File ID         : 1  
File Size       : 35902 Bytes  
Last Modified   : Mon Jan 01 1990 00:09:28  
Version         : WC.16.05.0000x
```

```
File Name       : add  
File ID         : 2  
File Size       : 35902 Bytes  
Last Modified   : Mon Oct 23 2017 03:42:38  
Version         : WC.16.05.0000x
```

```
File Name       : modify  
File ID         : 3  
File Size       : 35902 Bytes  
Last Modified   : Mon Oct 23 2017 03:42:38  
Version         : WC.16.05.0000x
```

To view the contents of a configuration file in the flash:

```
switch# show config add
```

```
;  
; JL255A Configuration Editor; Created on release #WC.16.05.0000x  
; Ver #12:08.1d.9b.3f.bf.bb.ef.7c.59.fc.6b.fb.9f.fc.ff.ff.37.ef:ba  
hostname "Aruba-2930F-24G-PoEP-4SFPP"  
module 1 type jl255a  
snmp-server community "public" unrestricted  
vlan 1  
    name "DEFAULT_VLAN"  
    no untagged 3-10  
    untagged 1-2,11-28  
    ip address dhcp-bootp  
    exit  
vlan 100  
    name "VLAN100"  
    untagged 3-5  
    no ip address  
    exit
```

```
vlan 200
name "VLAN200"
  untagged 6-10
  no ip address
exit
```

Configuration restore without reboot

The `cfg-restore without-reboot` command restores the configuration without reboot from a backup configuration to the running configuration of the switch.

The details about the difference between a running and a backup configuration can be displayed using `cfg-restore {flash | tftp | sftp} <FILE-NAME> diff` command.

More information

[Configuration backup](#) on page 552

[Viewing the differences between a running configuration and a backup configuration](#) on page 567

cfg-restore

Syntax

```
cfg-restore {flash | tftp <IP-ADDRESS> | sftp <IP-ADDRESS>} <FILE-NAME> [diff |
force | non-blocking | recovery-mode | verbose]
```

Description

Restores the given configuration as the running configuration without reboot. If the configuration is not suitable to successfully restore without reboot, the command will return a failure message with details.



The restored configuration commands will be executed on a running configuration, so the name of the current active configuration does not change after configuration restore, except for the `force` option.

Command context

config

Parameters

flash

Copies file from flash.

tftp

Copies file from TFTP server.

sftp

Copies file from SFTP server.

<IP-ADDRESS>

IP address of the TFTP server.

<FILE-NAME>

Name of the backup configuration file to restore into the running configuration.

diff

Provides the list of changes that will be applied on the running configuration.

force

Forces a reboot if configuration in restored configuration requires a reboot. Applies the configuration with reboot if the configuration has reboot required commands or system-wide change commands. After a forced reboot, the name of the configuration changes.

non-blocking

Configuration restoration in non-blocking mode, where actual process happens in the background.

recovery-mode

Enables or disables recovery-mode. Recovery-mode is enabled by default and this retains the current running configuration if configuration restoration fails.

verbose

Provides the details of configuration restore status and the list of commands to be added or deleted.

Usage

- `cfg-restore flash <FILE-NAME> [non-blocking | diff | force | recovery-mode{enable | disable}]] | [verbose [force | [recovery-mode{enable | disable}]] | [diff | force]`
- `cfg-restore tftp {<IPV4-ADDR> | <IPV6-ADDR> | <HOSTNAME-STR> <FILE-NAME> [non-blocking | diff | force | recovery-mode{enable | disable}]] | [verbose [force | [recovery-mode{enable | disable}]] | [diff | force]`
- `cfg-restore sftp {<IPV4-ADDR> | <IPV6-ADDR> | <HOSTNAME-STR> | user <name> {<IP-ADDRESS|IPV6-ADDRESS|HOSTNAME-STR>} | <USERNAME@>{<HOST-NAME> | <IPV4-ADDR> | <IPV6-ADDR>}} [port <1-65535>] <FILE-NAME> [non-blocking | diff | force | recovery-mode{enable | disable}]] | [verbose [force | [recovery-mode{enable | disable}]] | [diff | force]`

Examples

```
switch# cfg-restore
flash          Copy file from flash.
sftp           Copy file from SFTP Server.
tftp          Copy file from TFTP Server.

switch# cfg-restore flash
FILE-NAME      Name of the backup configuration file to restore into the running
               configuration.

switch# cfg-restore flash config_file
diff           Provide the list of changes that will be applied on the
               running configuration.

force         Apply the configuration with reboot if the
               configuration has reboot required commands or
               system-wide change commands present.

non-blocking   Config restoration in non-blocking mode.
recovery-mode  To enable/disable recovery-mode.
verbose        Provide the details of config restore status and the list of commands to be added
               or deleted.

switch# cfg-restore tftp
HOSTNAME-STR   Specify hostname of TFTP Server.
IP-ADDR       IP Address of the TFTP Server.
IPV6-ADDR     IPV6 Address of the TFTP Server.

switch# cfg-restore tftp 10.100.0.12
FILE-NAME      Name of the backup configuration file to restore into the running
               configuration.

switch# cfg-restore tftp 10.100.0.12 config_file
diff           Provide the list of changes that will be applied on the
               running configuration.

force         Apply the configuration with reboot if the
```

```

configuration has reboot required commands or
system-wide change commands present.
non-blocking      Config restoration in non-blocking mode.
recovery-mode    To enable/disable recovery-mode.
verbose          Provide the details of config restore status and the list of commands to be added
                 or deleted.

switch(config)# cfg-restore flash add non-blocking
diff             Provide the list of changes that will be applied on
                 the running configuration.
force            Apply the configuration with reboot if the configuration has reboot required commands or
                 system-wide change commands present.
recovery-mode    To enable/disable recovery-mode.

```

Force configuration restore

The `cfg-restore` command fails if a reboot is required. The Configuration restoration is not allowed as the configuration has reboot required commands error is displayed, along with lines requiring a reboot. The force option in the `cfg-restore` command allows a user to force a reboot. The command is: `cfg-restore {flash | tftp | sftp} <FILE-NAME> force`.

Before reboot, config is the active configuration. After the device reboots, the backup file becomes the new active configuration.

```

id | act pri sec | name
---+-----+-----
 1 | *   *   *   | config
 2 |           | def
 3 |           | golden_config
 4 |           |
 5 |           |

```

```

switch(config)# cfg-restore flash golden_config
Current running-configuration will be replaced with 'golden_config'.
Continue (y/n)? y
Configuration restore is in progress, configuration changes are temporarily
disabled.
Configuration restoration is not allowed as the configuration has reboot required commands.

```

```

switch(config)# show cfg-restore status
Status                : Failed
Config File Name      : golden_config
Source                : Flash
Time Taken             : 5 Seconds
Last Run              : Mon Oct 30 23:03:19 2017

Recovery Mode         : Enabled
Failure Reason        : Reboot required commands present.
Command               : console terminal none

```

```

Number of Add Commands : 0
Number of Remove Commands : 1

```

```

Time Taken for Each Phase :
  Calculating diff       : 3 Seconds
  Adding commands        : 0 Seconds
  Removing commands      : 0 Seconds

```

```

switch# cfg-restore flash golden_config force
Device may be rebooted if the configuration file has reboot required or
system-wide change commands. Do you want to continue (y/n)?
Current running-configuration will be replaced with 'golden_config'.
Continue (y/n)?
Configuration restore is in progress, configuration changes are temporarily
disabled.

Successfully applied configuration 'golden_config' to running configuration.

Rebooting switch...

```

In the preceding output, Command : console terminal none shows that `cfg-restore` failed because a reboot is required.

After the switch reboots and comes up, the `golden_config` becomes the active configuration.



In case of a switch reboot, the switch comes up with the configuration associated with the primary or secondary.

```
id | act pri sec | name
-----
 1 |      *   * | config
 2 |      *   * | def
 3 | *      *   * | golden_config
 4 |      *   * |
 5 |      *   * |

switch# show cfg-restore status
Status                : Success
Config File Name      : default
Source                : Flash
Time Taken            : 1 Seconds
Last Run              : Mon Oct 23 07:17:03 2017

Recovery Mode         : Enabled
Failure Reason        : -

Number of Add Commands : 0
Number of Remove Commands : 5

Time Taken for Each Phase :

    Calculating diff    : 1 Seconds
    Adding commands     : 0 Seconds
    Removing commands   : 0 Seconds
```



Time taken for adding and deleting commands is zero, as the switch reboots. It is similar to downloading a startup-configuration to the device.

cfg-restore non-blocking

Syntax

```
cfg-restore {flash | tftp | sftp} <FILE-NAME> non-blocking
```

Description

Performs restore in non-blocking mode.

Command context

```
config
```

Example

```
switch(config)# cfg-restore flash add non-blocking
Current running-configuration will be replaced with 'add'.
Continue (y/n)? y
Configuration restore is in progress, configuration changes are
```

```
temporarily disabled.
switch(config)#

switch(config)# show cfg-restore status
Status                : Success
Config File Name      : add
Source                : Flash
Time Taken            : 2 Seconds
Last Run              : Sun Oct 22 22:09:02 2017

Recovery Mode         : Enabled
Failure Reason        : -

Number of Add Commands : 7
Number of Remove Commands : 10

Time Taken for Each Phase :
  Calculating diff      : 1 Seconds
  Adding commands       : 0 Seconds
  Removing commands     : 0 Seconds
```

cfg-restore recovery-mode

Syntax

```
cfg-restore {flash | tftp | sftp} <FILE-NAME> recovery-mode {enable | disable}
```

Description

Restores the current running configuration, if a restore to the backup configuration fails. By default, recovery-mode is enabled.

Command context

```
config
```

Usage

To disable recovery mode, use `cfg-restore {flash | tftp | sftp} <FILE-NAME> recovery-mode disable`.

Example

With the following running configuration, a restore to the backup file `modify` fails, but this configuration will be retained as recovery mode is enabled.

```
switch(config)# show running-config

Running configuration:

; JL255A Configuration Editor; Created on release #WC.16.05.0000x
; Ver #12:08.1d.9b.3f.bf.bb.ef.7c.59.fc.6b.fb.9f.fc.ff.ff.37.ef:ba
hostname "Aruba-2930F-24G-PoEP-4SFPP"
module 1 type jl255a
ip routing
snmp-server community "public" unrestricted
vlan 1
  name "DEFAULT_VLAN"
  untagged 1-28
  ip address dhcp-bootp
  exit
vlan 10
```

```
name "VLAN10"  
no ip address  
exit
```

```
switch(config)# show config modify  
; JL255A Configuration Editor; Created on release #WC.16.05.0000x  
; Ver #12:08.1d.9b.3f.bf.bb.ef.7c.59.fc.6b.fb.9f.fc.ff.ff.37.ef:ba  
hostname "Aruba-2930F-24G-PoEP-4SFPP"  
module 1 type jl255a  
ip default-gateway 172.20.0.1  
ip routing  
snmp-server community "public" unrestricted  
vlan 1  
  name "DEFAULT_VLAN"  
  untagged 1-28  
  ip address dhcp-bootp  
  exit  
vlan 100  
  name "VLAN100"  
  no ip address  
  exit
```

```
switch(config)# cfg-restore flash modify  
Current running-configuration will be replaced with 'modify'.  
Continue (y/n)? y  
Configuration restore is in progress, configuration changes are  
temporarily disabled.
```

```
Configuration restore to config 'modify' failed, restored source  
configuration to running configuration.
```

```
switch(config)# show running-config
```

Running configuration:

```
; JL255A Configuration Editor; Created on release #WC.16.05.0000x  
; Ver #12:08.1d.9b.3f.bf.bb.ef.7c.59.fc.6b.fb.9f.fc.ff.ff.37.ef:ba  
hostname "Aruba-2930F-24G-PoEP-4SFPP"  
module 1 type jl255a  
ip routing  
snmp-server community "public" unrestricted  
vlan 1  
  name "DEFAULT_VLAN"  
  untagged 1-28  
  ip address dhcp-bootp  
  exit  
vlan 10  
  name "VLAN10"  
  no ip address  
  exit
```

```
switch(config)# cfg-restore flash modify recovery-mode disable  
Current running-configuration will be replaced with 'modify'.  
Continue (y/n)? y  
Configuration restore is in progress, configuration changes are  
temporarily disabled.
```

```
Partially applied configuration 'modify' to running configuration.  
Aruba-2930F-24G-PoEP-4SFPP(config)# show running-config
```

Running configuration:

```
; JL255A Configuration Editor; Created on release #WC.16.05.0000x  
; Ver #12:08.1d.9b.3f.bf.bb.ef.7c.59.fc.6b.fb.9f.fc.ff.ff.37.ef:ba
```



```

hostname "Aruba-2930F-24G-PoEP-4SFPP"
module 1 type j1255a
ip routing
snmp-server community "public" unrestricted
vlan 1
    name "DEFAULT_VLAN"
    untagged 1-28
    ip address dhcp-bootp
    exit
vlan 100
    name "VLAN100"
    no ip address
    exit

```

cfg-restore verbose

Syntax

```
cfg-restore {flash | tftp | sftp} <FILE-NAME> verbose
```

Description

Provides the details of configuration restore status and the list of commands to be added or deleted along with `cfg-restore`.

Command context

```
config
```

Examples

```

switch(config)# cfg-restore flash config verbose
Current running-configuration will be replaced with 'config'.
Continue (y/n)? y

```

Configuration restore is in progress, configuration changes are temporarily disabled.

Configuration Restore Information:

```

Status                : Success
Config File Name      : config
Source                 : Flash
Time Taken             : 6 Seconds
Last Run               : Tue Nov  7 03:43:07 2017

```

```

Recovery Mode         : Enabled
Failure Reason        : -

```

```

Number of Add Commands : 0
Number of Remove Commands : 12

```

```

Time Taken for Each Phase :
    Calculating diff      : 2 Seconds
    Adding commands       : 0 Seconds
    Removing commands     : 0 Seconds

```

Configuration delete list:

```

vlan 2
    name "VLAN2"
    no ip address
    exit
vlan 3

```

```

name "VLAN3"
no ip address
exit
vlan 4
name "VLAN4"
no ip address
exit
vlan 5
name "VLAN5"
no ip address
exit

```

Successfully applied configuration 'config' to running configuration.

cfg-restore config_bkp

Syntax

```
cfg-restore {tftp <ip-address> | sftp <ip-address>} config_bkp
```

Description

Downloads and restores a configuration from the TFTP or SFTP server, without rebooting the switch.



The commands from the restored configuration will be executed on the running configuration. The name of the current active configuration will not change after a configuration restore.

Command context

```
config
```

Example

```

switch(config)# cfg-restore tftp
HOSTNAME-STR      Specify hostname of TFTP Server.
IP-ADDR           IP Address of the TFTP Server.
IPV6-ADDR         IPV6 Address of the TFTP Server.

switch(config)# cfg-restore sftp
HOSTNAME-STR      Specify hostname of the SFTP server.
IP-ADDR           IP Address of the SFTP Server.
IPV6-ADDR         IPV6 Address of the SFTP Server.
user              Specify username on the remote system information
USER@IP-STR       Specify username along with remote system
                  information

switch(config)# cfg-restore tftp 10.100.0.12 pvos/tftp_2930_config_file
Current running-configuration will be replaced with 'tftp_2930_config_file'.
Continue (y/n)? y
Configuration restore is in progress, configuration changes are temporarily disabled.

Successfully applied configuration 'tftp_2930_config_file' to running configuration.

switch(config)# sh cfg-restore status
Status            : Success
Config File Name  : tftp_2930_config_file
Source            : TFTP
Time Taken        : 4 Seconds
Last Run          : Wed Nov  8 21:11:10 2017

Recovery Mode     : Enabled
Failure Reason    : -

```

```

Number of Add Commands      : 4
Number of Remove Commands  : 7

Time Taken for Each Phase :
  Calculating diff         : 1 Seconds
  Adding commands          : 0 Seconds
  Removing commands        : 0 Seconds

```

```
switch(config)# show config files
```

```
Configuration files:
```

id	act	pri	sec	name
1	*	*	*	config
2				
3				
4				
5				

Configuration restore with force option

Prerequisites

Back up the configuration using traditional `copy config` or `cfg-backup` commands.

Procedure

1. Execute the `show config files` command. By default, the `config` file provides all the associations.

```
switch(config)# show config files
```

```
Configuration files:
```

id	act	pri	sec	name
1	*	*	*	config
2				file1
3				file2
4				
5				

2. Use `cfg-restore flash file1 force` command to see the configuration of file1.

```
switch(config)# cfg-restore flash file1 force
```

As the file1 configuration requires a reboot, a system reboot occurs. When the switch comes up, file1 is the new active configuration.

```
switch(config)# sh config files
```

```
Configuration files:
```

id	act	pri	sec	name
1			*	config
2	*			file1
3				file2
4				
5				



During a configuration restore with reboot, the association changes. To make the configuration as a default configuration for subsequent system reboots, use `startup-default [<primary>|secondary>] config FILENAME` command.

For `startup-default config file1`:

```
switch(config)# show config files
```

```
Configuration files:
```

```
id | act pri sec | name
---+-----+---
 1 |          | config
 2 | * * *      | file1
 3 |          | file2
 4 |          |
 5 |          |
```

System reboot commands

Following commands require a system reboot:

- `secure-mode standard`
- `secure-mode enhanced`
- `mesh id [0-9]`
- `mesh [a-z | A-Z | 0-9]`
- `max-vlans <257-4094>`
- `no allow-v2-modules`
- `qinq (mixedvlan | svlan)`
- `qos queue-config`
- `terminal type (vt100 | ansi)`
- `console (flow-control | terminal)`
- `vsf member [0-9]`
- `vsf remove`
- `access-list grouping`
- `console baud-rate (speed-sense | 1200 | 2400 | 4800 | 9600 | 19200 | 38400 | 57600 | 115200)`

Systemwide change commands

Following commands change the system configuration:

- `module [0-9 | a-z | A-Z]`
- `module [0-9 | a-z | A-Z] type <type>`
- `igmp lookup-mode ip`

- `flexible-module [a-z | A-Z] type <type>`
- `stacking member [0-9] flexible-module [a-z | A-Z] type <type>`

Configuration restore without force option

If the two configuration files backed up are file1 and file2:

Prerequisites

Backup the configuration using either the traditional `copy config` or the `cfg-backup` commands.

Procedure

1. Execute the `show config files` command. By default, the `config` file provides all the associations.

```
switch(config)# show config files
```

Configuration files:

id	act	pri	sec	name
1	*	*	*	config
2				file1
3				file2
4				
5				

2. Use `cfg-restore flash file1` command to see the configuration of file1.

```
switch(config)# cfg-restore flash file1
```

Even after executing the previous command, associations will remain the same, but the running configuration is replaced by file1 configuration.



In a configuration restore without reboot, the association remains the same. The default `config` file is updated based on the configuration of the restored file.

show cfg-restore status

Syntax

```
show cfg-restore status
```

Description

Shows the status of latest restore performed. The running configuration is updated based on the configuration of the restored file.

Command context

```
config
```

Usage

```
show cfg-restore {status | latest-diff}
```

This command provides information on:

- how a restore is performed
- whether a flash file was used from SFTP or TFTP server
- the total time taken to restore
- the time when last restore was initiated
- whether a recovery-mode was enabled
- the number of add and delete commands
- reboot commands present (if any), and
- the split time taken for each phase

Examples

```
switch(config)# show cfg-restore
latest-diff          Shows the difference between running and back-up
                    configuration.
status              Show configuration restoration status.

switch(config)# show cfg-restore status
Status              : [Failed| In progress | Success | Not Started]
Config File name   : def
Source             : [-|Tftp|sftp|Flash|REST]
Time taken         : [-|20 Seconds.]
Last Run           : [-|Tue March 07 22:12:16 2017.]

Recovery Mode      : Enabled
Failure Reason     : -

Number of Add Commands : 0
Number of Remove Commands : 3

Time Taken for Each Phase :
  Calculating diff      : 1 Seconds
  Adding commands      : 0 Seconds
  Removing commands     : 0 Seconds
```

If the configuration restoration fails, the line number and the failed commands are displayed:

```
switch(config)# show cfg-restore status
Status              : Failed
Config File name   : def
Source             : Flash
Time taken         : 20 Seconds
Last Run           : Sun Oct 22 20:22:54 2017

Recovery Mode      : Enabled
Failure Reason     : Add commands have been failed

Number of Add Commands : 0
Number of Remove Commands : 3

Time Taken for Each Phase :
  Calculating diff      : 1 Seconds
  Adding commands      : 0 Seconds
  Removing commands     : 0 Seconds

Failed to remove commands:
Line: 12 vlan 10
```

```
Line: 15 no ipv6 nd snooping mac-check
Failed to add commands:
Line: 10 icmp 10.100.0.12 source-inter vlan 1
Line: 20 udp-echo 10.100.0.12 source vlan 1
```



The number of add and delete commands is calculated excluding the `exit` commands in the configuration file.

Viewing the differences between a running configuration and a backup configuration

Prerequisites

Use the `cfg-restore {flash | tftp | sftp} <FILE-NAME> diff` command to view the list of configuration changes that are removed, modified, or added to the running configuration.

Procedure

1. Execute the `show running-config` command to show the running configuration of the switch.

```
switch(config)# show running-config

Running configuration:

; JL255A Configuration Editor; Created on release #WC.16.05.0000x
; Ver #12:08.1d.9b.3f.bf.bb.ef.7c.59.fc.6b.fb.9f.fc.ff.ff.37.ef:ba
hostname "Aruba-2930F-24G-PoEP-4SFPP"
module 1 type jl255a
snmp-server community "public" unrestricted
vlan 1
  name "DEFAULT_VLAN"
  no untagged 11-13,15-18
  untagged 1-10,14,19-28
  ip address dhcp-bootp
  exit
vlan 100
  name "VLAN100"
  untagged 11-13
  no ip address
  exit
vlan 300
  name "VLAN300"
  untagged 15-18
  no ip address
  exit
```

2. Execute the `show config golden_config` command to show the backup configuration of the switch.

```
switch(config)# show config golden_config
; JL255A Configuration Editor; Created on release #WC.16.05.0000x
; Ver #12:08.1d.9b.3f.bf.bb.ef.7c.59.fc.6b.fb.9f.fc.ff.ff.37.ef:ba
hostname "Aruba-2930F-24G-PoEP-4SFPP"
module 1 type jl255a
; JL255A Configuration Editor; Created on release #WC.16.05.0000x
; Ver #12:08.1d.9b.3f.bf.bb.ef.7c.59.fc.6b.fb.9f.fc.ff.ff.37.ef:ba
hostname "Aruba-2930F-24G-PoEP-4SFPP"
module 1 type jl255a
```

3. Execute the `cfg-restore flash golden_config diff` command to view the differences that will be applied.

```
switch# cfg-restore flash golden_config diff
```

```
Configuration delete list:
```

```
vlan 1
  no untagged 11-13,15-18
  untagged 3-10
  exit
vlan 100
  untagged 11-13
  exit
vlan 300
  name "VLAN300"

  untagged 15-18
  no ip address
  exit
```

```
Configuration add list:
```

```
vlan 1
  no untagged 3-10
  untagged 11-13,15-18
  exit
vlan 100
  untagged 3-5
  exit
vlan 200
  name "VLAN200"
  untagged 6-10
  no ip address
  exit
```



If the running and the backup configuration is the same, no difference will be displayed.

```
switch(config)# cfg-restore flash modify diff
```

```
Current config and backup config is identical.
```

4. Execute the `show cfg restore latest-diff` command to display the difference between the running and the backup configuration.

```
switch(config)# show cfg-restore
latest-diff      Shows the difference between running and back-up
                  configuration.
status           Show configuration restoration status.
```

```
switch(config)# show cfg-restore latest-diff
```

```
Configuration delete list:
```

```
ip default-gateway 172.20.0.1
vlan 100
  name "VLAN100"
  no ip address
  exit
```

```
Configuration add list:
```

```
vlan 10
```



```
name "VLAN10"
no ip address
exit

switch(config)#
```

Show commands to show the SHA of a configuration

The `show` commands provide SHA details of the running and startup configurations.

show hash

Syntax

```
show {config | running-config} hash {recalculate}
```

Description

Shows SHA ID of startup or running configuration.

Command context

config

Examples

```
switch# show config
config
files          List saved configuration files.
hash           Display the hash calculated for the startup
               configuration.
interface      Show the startup configuration for interfaces.
oobm           Show the startup configuration for OOBM.
```

To display the hash calculated for the startup configuration:

```
switch(config)# show config hash
The hash must be calculated.  This may take several minutes.

Continue (y/n)? y

Calculating hash...
Startup Configuration hash:

4f66 8b77 6b66 e5fb 0c12 f7fb 8ea6 b548 af2e 2e03

This hash is only valid for comparison to a baseline hash if
the configuration has not been explicitly changed (such as
with a CLI command) or implicitly changed (such as by the
removal of a hardware module).

switch(config)# show config hash
recalculate      Calculate hash (if needed) without prompting.

switch(config)# show config hash recalculate
Startup Configuration hash:

4f66 8b77 6b66 e5fb 0c12 f7fb 8ea6 b548 af2e 2e03

This hash is only valid for comparison to a baseline hash if
```

the configuration has not been explicitly changed (such as with a CLI command) or implicitly changed (such as by the removal of a hardware module).

To display the hash calculated for the running configuration:

```
switch(config)# show running-config hash
The hash must be calculated. This may take several minutes.

Continue (y/n)? y

Calculating hash...
Running configuration hash:

6d88 0880 98af e8a8 b564 15cd 368e 4269 9d61 4bfa

This hash is only valid for comparison to a baseline hash if
the configuration has not been explicitly changed (such as
with a CLI command) or implicitly changed (such as by the
removal of a hardware module).
```

Scenarios that block the configuration restoration process

The configuration restoration process is blocked in the following scenarios:

- If the restored configuration file requires a reboot.
- If the restored configuration changes the entire configuration (for example, module add or remove).

More information

[cfg-restore](#) on page 555

Limitations

Switch configuration restore without reboot feature does not support the following scenarios:

- Removing a physically present member through `cfg-restore` command
- Flex-module provisioning or removal on standalone or a stack
- Module provisioning or removal on standalone or a stack
- Adding a VLAN when the VLAN limit is already reached by having dynamic VLANs. Due to timing issues, ports or dynamic VLANs take some time to become offline or be removed, even after applying a removal command. In such a case, restore commands fail as normal CLI commands.
- The maximum number of backup configuration files has been increased from three to five. When the firmware is downgraded to lower versions, the `show config files` command displays the details to only three configuration files.
- Restore is allowed based on the available system resource factors.

Blocking of configuration from other sessions

All `write` operations are not allowed from other sessions (CLI/WebUI/SNMP/REST, and so on) during a configuration restoration process. Only `read` operation is allowed. Attempts to use `write` operation results in the Configuration restore is in progress, configuration changes are temporarily disabled error. The following `show` commands are blocked during a configuration restoration process:

- show-tech
- show config
- show running-config
- show startup-config

Troubleshooting and support

Switch configuration restore without reboot feature provides CLI support to:

- display the number of commands with line number that failed to restore.
- display the delta between running configuration and the configuration to be restored.

More information

[Viewing the differences between a running configuration and a backup configuration](#) on page 567
[show cfg-restore status](#) on page 565

debug cfg-restore

Syntax

```
debug cfg-restore
```

Description

Debug logs display the commands executed by `cfg-restore`.

Command context

config and manager

Example

```
switch(config)# debug cfg-restore
switch(config)# debug destination buffer
switch(config)# show debug buffer
0000:01:39:51.58 CFG mCfgRestoreMgr:cfg-restore to config file "backup_conif"
    started.
0000:01:39:56.45 CFG mCfgRestoreMgr:cfg-restore diff calculated, number of
    commands to add =0 number of commands to delete = 3.
0000:01:39:56.45 CFG mCfgRestoreMgr:cfg-restore iteration count = 1.
0000:01:39:56.51 CFG mCfgRestoreMgr:Command executed = no vlan 2 tagged 9,
    Status = Success.
0000:01:39:56.51 CFG mCfgRestoreMgr:Command deleted = vlan 2 tagged 9.
0000:01:39:56.58 CFG mCfgRestoreMgr:Command executed = no vlan 3 tagged 9,
    Status = Success.
0000:01:39:56.58 CFG mCfgRestoreMgr:Command deleted = vlan 3 tagged 9.
0000:01:39:56.64 CFG mCfgRestoreMgr:Command executed = no vlan 4 tagged 9,
    Status = Success.
0000:01:39:56.65 CFG mCfgRestoreMgr:Command deleted = vlan 4 tagged 9.
0000:01:39:56.65 CFG mCfgRestoreMgr:cfg-restore iteration count = 2.
0000:01:39:59.38 CFG mCfgRestoreMgr:Successfully applied configuration
    'backup_conif' to running configuration.
** Total debug messages = 22
```

HPE's Virtual Technician is a set of tools aimed at aiding network switch administrators in diagnosing and caring for their networks. VT provides tools for switch diagnoses when faced with unforeseen issues.

To improve the Virtual Technician features of our devices, HPE has added the following tools:

- Cisco Discovery Protocol
- Enabling Debug tracing for MOCANA code
- User diagnostic crash via front panel security button
- User diagnostic crash via the serial console

Cisco Discovery Protocol (CDP)

Show cdp traffic

Syntax

```
show cdp traffic
```

Description

Displays the number of Cisco Discovery Protocol (CDP) packets transmitted, received and dropped.

CDP frame Statistics

Port No	Transmitted Frames	Received Frames	Discarded Frames	Error Frames
A1	46	26	6	7
A2	30	35	7	9
A3	120	420	670	670

Clear cdp counters

Syntax

```
clear cdp counters
```

Description

Allows a user to clear CDP statistics.

Clear cdp counters

Port No	Transmitted Frames	Received Frames	Discarded Frames	Error Frames
A1	46	26	6	7

A2	30	35	7	9
A3	120	420	670	670

Enable/Disable debug tracing for MOCANA code

Debug security

Syntax

```
debug security ssl
```

Description

Enables the debug tracing for MOCANA code.

Use the [no] parameter to disable debug tracing.

ssl

Display all SSL messages.

User diagnostic crash via Front Panel Security (FPS) button

Allows the switch's front panel **Clear** button to manually initiate a diagnostic reset. In the case of an application hang, this feature allows you to perform reliable diagnostics by debugging via the front panel **Clear** button. Diagnostic reset is controlled via Front Panel Security (FPS) options.

Front panel security password-clear

From the configure context:

Syntax

```
[no] front-panel-security password-clear <RESET-ON-CLEAR> | factory-reset | password-recovery | diagnostic-reset <CLEAR-BUTTON | SERIAL-CONSOLE>
```

Description

Enable the ability to clear the password(s) and/or configuration via the front panel buttons.

[no] disables the password clear option.

Parameters

- If `password-clear` is disabled, the password(s) cannot be reset using the clear button on the front panel of the device.
- If `factory-reset` is disabled, the configuration/password(s) can not be reset using the clear and reset button combination at boot time.
- When `password-recovery` is enabled (and the front panel buttons disabled), a lost password can be recovered by contacting HPE customer support.
- When `password-recovery` is disabled, there is no way to access a device after losing a password with the front panel buttons disabled.

- If `diagnostic-reset` is disabled, the user cannot perform a diagnostic switch reset on those rare events where the switch becomes unresponsive to user input because of unknown reason(s).
- If `diagnostic-reset` is enabled, the user can perform a diagnostic hard reset which will capture valuable diagnostic data and reset the switch.

Options

factory-reset

Enable/Disable factory-reset ability.

password-clear

Enable/Disable password clear.

password-recovery

Enable/Disable password recovery.

diagnostic-reset

Enable/Disable diagnostic reset.

Front-panel-security diagnostic-reset

From the configure context:

Syntax

```
front-panel-security diagnostic-reset <CLEAR-BUTTON | SERIAL-CONSOLE>
```

Description

Enables the diagnostic reset so that the switch can capture diagnostic data.

- To initiate diagnostic reset via the clear button, press the clear button for at least 30 seconds but not more than 40 seconds.
- To initiate diagnostic switch reset via the serial console, enter the diagnostic reset sequence on the serial console.

Options

Clear button

Enables the diagnostics by choosing the clear button option.

Serial console

Enables the diagnostics by choosing the serial console option.

[no] front-panel-security diagnostic-reset

From the configure context:

Syntax

```
[no] front-panel-security diagnostic-reset
```

Description

Disables the diagnostic reset feature so that the user is prevented from capturing diagnostic data and performing a diagnostic reset on the switch. Both the sub-options `reset-via-serial-console` and `reset-via-clear-button` will be disabled. This is necessary if the switch becomes unresponsive (hangs) for unknown reasons.

No front-panel-security diagnostic-reset

```
no front-panel-security diagnostic-reset
```

Clear Password	- Enabled
Reset-on-clear	- Disabled
Factory Reset	- Enabled
Password Recovery	- Enabled
Diagnostic Reset	- Disabled



Disabling the diagnostic reset prevents the switch from capturing diagnostic data on those rare events where the switch becomes unresponsive to user input because of unknown reasons. Ensure that you are familiar with the front panel security options before proceeding.

Front-panel-security diagnostic-reset clear-button

From the configure context:

Syntax

```
front-panel-security diagnostic-reset clear-button
```

Description

This command will enable diagnostic-reset via clear button. The user will be allowed to perform diagnostic reset by depressing the clear button for 30 seconds and not more than 40 seconds.

Front-panel-security diagnostic-rest clear-button

```
front-panel-security diagnostic-rest clear-button
```

Diagnostic Reset	- Enabled
clear-button	- Enabled
serial-console	-Disabled



Disabling the diagnostic reset prevents the switch from capturing diagnostic data on those rare events where the switch becomes unresponsive to user input because of unknown reasons. Ensure that you are familiar with the front panel security options before proceeding.

[No] front-panel-security diagnostic-reset clear-button

From the configure context:

Syntax

```
[no] front-panel-security diagnostic-reset clear-button
```

Description

Disables the diagnostic-reset via clear button.



Disabling the diagnostic reset prevents the switch from capturing diagnostic data on those rare events where the switch becomes unresponsive to user input because of unknown reasons. Ensure that you are familiar with the front panel security options before proceeding.

Show front-panel-security

Syntax

```
show front-panel-security
```

Options

Show front-panel-security

```
Clear Password      - Enabled
Reset -on-clear     - Disabled
Factory Reset       - Enabled
Password Recovery   - Enabled
Diagnostic Reset     - Enabled
```





By default, user initiated diagnostic reset is enabled.

Diagnostic table

To accomplish this	Do this	Result
Soft Reset (Standalone switch)	Press and release the Reset button	The switch operating system is cleared gracefully (such as data transfer completion, temporary error conditions are cleared), then reboots and runs self tests.
Hard Reset (Standalone switch)	Press and hold the Reset button for more than 5 seconds (until all LEDs turn on), then release.	The switch reboots, similar to a power cycle. A hard reset is used, for example, when the switch CPU is in an unknown state or not responding.
Delete console and management access passwords	Press Clear for at least one second, but not longer than 5 seconds.	The switch deletes all access password.
Restore the factory default configuration	<ol style="list-style-type: none">1. Press Clear and Reset simultaneously.2. While continuing to press Clear, release Reset.3. When the Test LED begins blinking (after approximately 25 seconds), release Clear.	The switch removes all configuration changes, restores the factory default configuration, and runs self test.

Table Continued

To accomplish this	Do this	Result
Diagnostic reset	<ol style="list-style-type: none"> 1. Press Clear to 30–40 seconds. 2. When the test LED begins blinking (approximately after 30 seconds), release Clear.  <p>Releasing the Clear button when TEST LED is not blinking (approximately after 40 seconds) will not honor the diagnostic reset request.</p>	This initiates diagnostic reset, collects diagnostic information, and reboots the switch.
 <p>These buttons are provided for the user’s convenience. If switch security is a concern, ensure that the switch is installed in a secure location, such as a locked writing closet. To disable the buttons, use the <code>front-panel-security</code> command.</p>		

Validation rules

Validation	Error
Extra 'token' passed after diagnostic-reset.	Invalid input: <token>.

FPS Error Log

Event	Message
RMON_BOOT_CRASH_RECORD1	Diagnostic reset sequence detected on serial console; user has initiated diagnostic reset. On detection on local serial
RMON_BOOT_CRASH_RECORD1	SMM: Diagnostic reset sequence detected on serial console; user has initiated diagnostic reset. On detection on SMM serial console and signaled to AMM
RMON_BOOT_CRASH_RECORD1	STKM: Diagnostic reset sequence detected on serial console; user has initiated diagnostic reset. On detection on non-commander serial console and signaled to commander

Table Continued

Event	Message
RMON_BOOT_CRASH_RECORD1	User has initiated diagnostic reset via the serial console. Sw_panic() message
RMON_BOOT_CRASH_RECORD1	SMM: User has initiated diagnostic reset via the serial console. Sw_panic() message when triggered via SMM
RMON_BOOT_CRASH_RECORD1	STKM: User has initiated diagnostic reset via the serial console. Sw_panic() message when triggered via non-commander
Console print	STKM: HA Sync in progress; user initiated diagnostic request via the serial console rejected. Retry after sometime. Printed on the device console. When standby is in sync state, we don't want to crash the commander. So we report to the user to retry later
Console print	STKM: Member is booting; user initiated diagnostic request via the serial console rejected. Retry after sometime. Printed on the device console. When the member is till booting, it doesn't have the commander member number, thus we can't issue UIDC on the commander. So we report to the user to retry later.

User initiated diagnostic crash via the serial console

Remotely triggers a diagnostic reset of the switch via a serial console. This reset reboots the switch and collects diagnostic data for debugging an application hang, a system hang or any other rare occurrence. Diagnostic reset is controlled via FPS options.

The serial sequence to initiate the User Initiated Diagnostic Reset via Serial console is Ctrl+S, Ctrl+T, Ctrl+Q, Ctrl+T, Ctrl+S.

Front-panel-security diagnostic-reset serial-console

In the configure context:

Syntax

```
front-panel-security diagnostic-reset serial-console
```

Enables the diagnostic-reset via serial console. Allows the user to perform diagnostic reset by keying-in diagnostic reset sequence.

Front-panel-security diagnostic-reset serial-console

```
front-panel-security diagnostic-reset serial-console
```

```
Diagnostic Reset      - Enabled  
clear-button         - Disabled  
serial-console       - Enabled
```

[No] front-panel-security diagnostic-reset serial-console

In the configure context:

Syntax

```
[no] front-panel-security diagnostic-reset serial-console
```

Description

Disables the diagnostic-reset via serial console.

No front-panel-security diagnostic-reset serial-console

```
no front-panel-security diagnostic-reset serial-console
```

```
Diagnostic Reset      - Disabled
```



Disabling the diagnostic reset prevents the switch from capturing diagnostic data on those rare events where the switch becomes unresponsive to user input because of unknown reasons. Ensure that you are familiar with the front panel security options before proceeding.

Serial console error messages

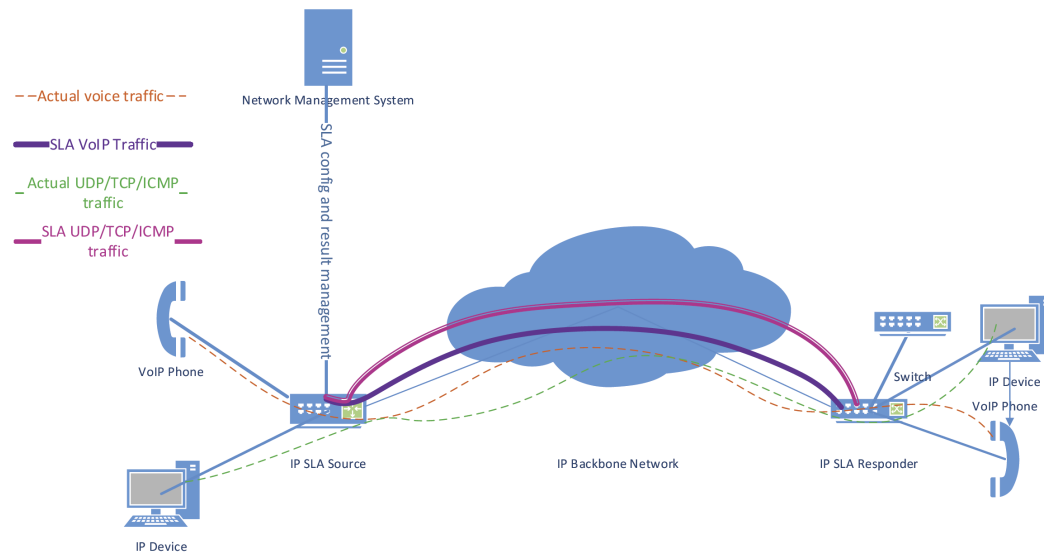
Error	Message
RMON_BOOT_CRASH_RECORD1	Diagnostic reset sequence detected on serial console; user has initiated diagnostic reset.
RMON_BOOT_CRASH_RECORD1	SMM: Diagnostic reset sequence detected on serial console; user has initiated diagnostic reset.
RMON_BOOT_CRASH_RECORD1	STKM: Diagnostic reset sequence detected on serial console; user has initiated diagnostic reset.
RMON_BOOT_CRASH_RECORD1	User has initiated diagnostic reset via the serial console.
RMON_BOOT_CRASH_RECORD1	SMM: User has initiated diagnostic reset via the serial console.
RMON_BOOT_CRASH_RECORD1	STKM: User has initiated diagnostic reset via the serial console.

Table Continued

Error	Message
Console print	STKM: HA Sync in progress; user initiated diagnostic request via the serial console rejected. Retry after sometime.
Console print	STKM: Member is booting; user initiated diagnostic request via the serial console rejected. Retry after sometime.

Overview

IP Service Level Agreement (IP SLA) is a feature that helps administrators collect information about network performance in real time. With increasing pressure on maintaining agreed-upon Service Level Agreements on Enterprises and ISPs alike, IP SLA serves as a useful tool.



Any IP SLA test involves a source node and a destination node. For all discussions in this document, the source is always an ArubaOS-switch with IP SLA support. As shown in the diagram above, a destination can, in most cases, be any IP-enabled device. For some SLA types that expect a nonstandard response to a test packet, an “SLA responder” must be configured. An “SLA responder” is nothing but an ArubaOS-switch with IP SLA configurations on it that enable it to respond to the test packet.

The IP SLA feature provides:

- Application-aware monitoring that simulates actual protocol packets.
- Predictable measures that aid in ease of deployment and help with assessment of existing network performance.
- Accurate measures of delay and packet loss for time-sensitive applications.
- End-to-end measurements to represent actual user experience.

We support the following SLA types:

- UDP Echo, including connectivity testing of transport layer (UDP) services, Round-Trip-Time (RTT) measurement, one-way delay, and packet loss details.
- ICMP Echo, including connectivity testing, RTT measurement, and packet loss details.
- TCP Connect, including connectivity testing of transport layer (TCP) services, and handshake time measurement.

- DHCP, which measures the round-trip time taken to discover a DHCP Server and obtain a leased IP address from it.
- DNS, which measures the time taken for a DNS resolution. This measures the difference between the time taken to send a request to the DNS server and the time the IP SLA source receives a reply.
- User Datagram Protocol (UDP) Jitter, which measures RTT, one way jitter and one way delays.
- UDP Jitter for VoIP, which measures RTT, one way jitter, one way delays, ICPIF (Impairment Calculated Planning Impairment Factor) and MOS (Mean Opinion Score).

Limitations for IPSLA support on HPE Aruba switches:

- IP SLA is not enabled for IPv6.
- DHCP SLA supports DHCPv4 only.
- IP SLA tests cannot be initiated over OOBM interfaces.
- History results for the configured IP SLAs will not be available after a switchover or a reboot.
- Maximum number of IP SLAs that can be configured varies based on the type of SLA test.
- When there are multiple IP SLAs configured with destination as hostname, the DNS resolution happens serially. There can be a delay in sending the test probe (which will be sent only after successful DNS resolution).
- For TCP Connect SLA type, the four-tuple (source IP/port, destination IP/port) must be unique.
- System clocks between the source and the responder must be synchronized with NTP if One Way Delay parameters have to be calculated for UDP Echo tests.
- Timeout for probes is 3 seconds for all SLA types and is not configurable.
- Transient spikes in RTT occur during the tests (in the source and the responder) if processor usage is high. Consider average result values over a period of time rather than point-in-time results. This is not applicable for UDP Jitter nor Jitter for VoIP.

Entity	Limit
Maximum number of SLAs enabled.	50
Maximum history bucket size per SLA. ¹	50
Number of responders that can be configured.	10

¹ Not applicable for UDP Jitter and Jitter for VoIP.

The following are operational restrictions with respect to IP SLA jitter implementation:

- Feature is not supported on 2540.
- Feature is supported only on v3-based platforms (5400R, 3810, 2930F).
- No history results are stored.
- IPSLA Jitter and Jitter for VoIP initiator and responder is only supported on 5400R with v3 modules (noncompatibility mode), 3810, and 2930F switches.
- The maximum number of Jitter responder sessions (UDP Jitter + Jitter For VoIP) supported is 10. The maximum number of Jitter initiator sessions (UDP Jitter + Jitter For VoIP) supported is 5.

- IMC (Intelligent Management Center) supports below IP SLAs:



5400R requires V3 modules

- UDP Jitter
 - UDP Jitter Voip
 - UDP Echo
 - TCP connect
 - ICMP echo
 - DHCP
- Measurement of RTT and jitter values is in milliseconds.
 - IPv6 SLA for UDP jitter and VoIP is not supported.
 - UDP jitter and UDP jitter for VoIP tests are not supported over Tunnel, Trunk, and OOBM interfaces.
 - UDP jitter and UDP jitter for VoIP results are not carried forward across failover or a device reboot.
 - History bucket size cannot be configured for UDP jitter and VoIP tests. Results are aggregated for the last 25 probes.
 - System clocks between the source and the responder must be synchronized with NTP if One Way Delay parameters have to be calculated for UDP Jitter & UDP Jitter for VoIP tests.
 - The UDP jitter and UDP jitter for VoIP feature on ArubaOS-Switches has the following limited interoperability with Comware 7 SLA v2 version:
 - One Way packet drops (SD packet loss and DS packet loss) on the Comware Jitter initiator is not reported when interoperating with HPE Aruba Jitter Responder.
 - IP SLA responder or initiator implementation is not interoperable with Cisco's IP SLA feature.

How IP SLA works

1. The source originates a test packet to the destination.
2. The destination responds to the test packet, at times embedding the needed information in the response packet.
3. Upon receiving the response, the source calculates the test results based on the timestamp, other packet parameters, and so on.
4. The source stores the results and updates the history records for the SLA.
5. The source reschedules the SLA for the next run.



For one-way delay calculations, the IP SLA sender and IP SLA responder must be NTP Time Synchronized.

Configuration commands

[no] ip-sla <ID>

Syntax

```
[no] ip-sla <ID>
```

Description

Configure the IP Service Level Agreement (SLA) parameters. The value of ID can range from 1-255.

Options

clear

Clear history records, message statistics, and threshold counters of particular SLA entry.

dhcp

Configure DHCP as the IP SLA test mechanism.

disable

Disable the IP SLA.

dns

Configure DNS as the IP SLA test mechanism.

enable

Enable the IP SLA.

history-size

Configure the number of history records to be stored for the IP SLA.

icmp-echo

Configure ICMP echo as the IP SLA test mechanism.

monitor

Configure monitoring parameters and respective threshold-action values.

schedule

Configure the start time, stop time, lifetime, and frequency of run for the IP SLA.

tcp-connect

Configure TCP connect as the IP SLA test mechanism.

tos

Configure the Type of Service value to be set in the test packet for the IP SLA.

udp-echo

Configure UDP echo as the IP SLA test mechanism.

On platforms that support Jitter and VOIP, the following options are also provided:

udp-jitter

Configure UDP jitter as the IP SLA test mechanism.

udp-jitter-voip

Configure UDP jitter for VoIP as the IP SLA test mechanism.

ip-sla <ID> clear

Syntax

```
ip-sla <ID> clear
```

Description

Clear history records, message statistics, and threshold counters of a particular SLA entry.

Options

records

Clear history records, message statistics, and threshold counters of particular SLA entry.

[no] ip-sla <ID> history-size

Syntax

```
[no] ip-sla <ID> history-size
```

Description

Configure the number of history records to be stored for the IP SLA. The maximum supported size is 50 and the default value for history-size is 25.

[no] ip-sla <ID> icmp-echo

Syntax

```
[no] ip-sla <ID> icmp-echo [<IP-ADDR> | <HOST-NAME>] [source <IP-ADDR> | source-interface vlan <VLAN-ID>] [payload-size <SIZE>]
```

Description

Configure ICMP echo as the IP SLA test mechanism. Requires destination address/hostname and source address/vlan id for the IP SLA of ICMP-Echo SLA type.

payload-size

: Value can range from 1-1440. By default, payload-size is not set.

[no] ip-sla <ID> udp-echo

Syntax

```
[no] ip-sla <ID> udp-echo [destination [<IP-ADDR> | <HOST-NAME>] <PORT-NUM>] [source <IP-ADDR> | <VLAN-ID>] [payload-size <SIZE>]
```

Description

Configure UDP echo as the IP SLA test mechanism. Requires destination address/hostname and source address/VLAN ID for the IP SLA of UDP-Echo SLA type.

- **PORT-NUM:** Value can range from 1024–65535.
- **payload-size:** Value can range from 1-1440. By default, payload-size is not set.

[no] ip-sla <ID> tcp-connect

Syntax

```
[no] ip-sla <ID> tcp-connect [destination [<IP-ADDR> | <HOST-NAME>]  
<PORT-NUM>] [source [<IP-ADDR> | <VLAN-ID>] <PORT-NUM>]
```

Description

Configure TCP connect as the IP SLA test mechanism. Requires destination address/hostname and source address/VLAN ID for the IP SLA of TCP connect SLA type. The value of PORT-NUM can range from 1024-65535.

[no] ip-sla <ID> monitor threshold-config

Syntax

```
[no] ip-sla <ID> monitor threshold-config [rtt | srcTodstTime | dstToSrcTime]  
threshold-type [immediate | consecutive <COUNT>] threshold-value <UPPER-LIMIT>  
<LOWER-LIMIT> action-type [trap | log | trap-log | none]
```

Description

Set upper and lower threshold parameters.

- **threshold-type immediate:** Take action immediately when the monitored parameters cross the threshold upper limit (subsequent notifications for upper thresholds are not generated until the parameter values go lower than the configured lower threshold value).
- **threshold-type consecutive:** Take action after threshold is hit consecutively for number of times.
- **action-type:** Describes action to be taken when the upper threshold is crossed.
- **trap:** Send snmp-trap when configured threshold is hit.
- **log:** Only log the event when configured threshold is hit.
- **trap-log:** Send snmp-trap and log the event when configured threshold is hit.
- **none:** Take no action.



The command option threshold-config can be individually set for rtt, srcTodstTime, and dstToSrcTime.

[no] ip-sla <ID> monitor packet-loss

Syntax

```
[no] ip-sla <ID> monitor packet-loss threshold-type [immediate | consecutive  
<COUNT>] action-type [trap | log | trap-log | none]
```

Description

Configure threshold-action values when packet loss happens.

- **threshold-type immediate:** Take action immediately when the monitored parameters cross the threshold upper limit (subsequent notifications for upper thresholds are not generated until the parameter values go lower than the configured lower threshold value).
- **threshold-type consecutive:** Take action after threshold is hit consecutively for number of times.
- **action-type:** Describes action to be taken when the upper threshold is crossed.

- **trap**: Send snmp-trap when configured threshold is hit.
- **log**: Only log the event when configured threshold is hit.
- **trap-log**: Send snmp-trap and log the event when configured threshold is hit.
- **none**: Take no action.

[no] ip-sla <ID> monitor test-completion

Syntax

```
[no] ip-sla <ID> monitor test-completion action-type [trap | log | trap-log | none]
```

Description

Configure action to be taken when test gets completed.

- **trap**: Send snmp-trap when configured threshold is hit.
- **log**: Only log the event when configured threshold is hit.
- **trap-log**: Send snmp-trap and log the event when configured threshold is hit.
- **none**: Take no action.

[no] ip-sla <ID> schedule

Syntax

```
[no] ip-sla <ID> schedule [[now | startTime <START-TIME>] [forever | stopTime <STOP-TIME> | repetitions <NUM>] [frequency <FREQUENCY>]
```

Description

Configure the start time, stop time, lifetime, and frequency of run for the IP SLA. The default value for the frequency of operation is 60 seconds.

[no] ip-sla <ID> tos

Syntax

```
[no] ip-sla <ID> tos <VALUE>
```

Description

Configure the Type of Service value to be set in the test packet for the IP SLA.

Valid values: 0–255

[no] ip-sla responder

Syntax

```
[no] ip-sla responder
```

Description

Configure SLA responder to respond to probe packets.

- **IP address:** local interface IP address
- **port:** takes L4 port numbers.
- **SLA types supported:** udp-echo, tcp-connect, UDP Jitter & Jitter For VoIP.

[no] ip-sla <ID> udp-jitter

Syntax

```
[no] ip-sla <ID> udp-jitter destination [<IP-ADDR> | <HOST-NAME>] <PORT-NUM>
source [<IP-ADDR> | <VLAN-ID>] [payload-size <SIZE> num-of-packets <NUM> packet-
interval <PKT-INTERVAL>]
```

Description

Configures the UDP Jitter test.

- **Payload-size:** Payload size of the test packet. Value can range from 68-8100. Default value is 68.
- **Num-of-packets:** Number of packets sent in one probe. Default is 10. Allowed range: 10-1000.
- **Packet-interval:** Inter packet gap in milliseconds. Time between consecutive packets within a probe. Default is 20ms. Allowed range: 10-60000

[no] ip-sla <ID> udp-jitter-voip

Syntax

```
[no] ip-sla <ID> udp-jitter-voip destination [<IP-ADDR> | <HOST-NAME>] <PORT-NUM>
source [<IP-ADDR> | <VLAN-ID>] [codec-type <CODEC-TYPE> advantage-factor <ADV-
FACTOR>]
```

Description

Configures the UDP Jitter for VoIP test.

- **Codec-type:** Codec to be used to encode the test VoIP packets. Available codecs: g711a, g711u, g729a. Default is g711a.
- **Advantage-factor:** Advantage factor to be configured for the test. Default is 0. Allowed range: 0-20.

Show commands

show ip-sla <ID>

Syntax

```
show ip-sla <ID>
```

Description

Show IP SLA configurations.

Options

history

Show the IP SLA results history.

message-statistics

Show the IP SLA message statistics.

results

Show the IP SLA results for UDP Jitter and UDP Jitter VoIP.

aggregated-results

Show the IP SLA aggregated results for UDP Jitter and UDP Jitter VOIP.

show ip-sla <ID>

```
SLA ID: 1
Status: [Enabled | Admin-disabled | Scheduled | Expired | Running]

SLA Type: [ICMP-echo | tcp-connect | UDP-echo | DHCP | DNS | udp-jitter | voip]

Destination Hostname: www.hp.com
Destination Address : 20.0.0.2
Source Address      : 20.0.0.1
History Bucket Size : 5
TOS: 32
Schedule:
    Frequency (seconds)      : 60
    Life                      : [Forever | 144 seconds]
    Start Time               : Tue Oct 27 22:12:16 2015
    Next Scheduled Run Time  : Tue Oct 27 22:43:16 2015

Threshold-Monitor is       : Enabled
    Threshold Config: RTT
    Threshold Type  : immediate
    Upper Threshold : 500 ms
    Lower Threshold : 100 ms
    Action Type     : Trap and Log

    Threshold Config: packet-loss
    Threshold Type  : consecutive (5)
    Action Type     : Trap

    Threshold Config: test-completion
    Action Type     : None
```

show ip-sla <ID> history

Syntax

```
show ip-sla <ID> history
```

Description

Show the IP SLA results history.

show ip-sla <ID> history

```
SLA ID : 1
SLA Type : UDP-Echo
Minimum RTT (ms) : 1
```

```
Maximum RTT (ms)      : 4294967282
Average RTT (ms)     : 3
Total RTT (ms)       : 315
RTT2 (sum of RTT squared): 63681
```

Start Time	Status	RTT	Description
Mon Jan 1 00:51:28 1990	Failed	-	DMA tail drop detected.
Mon Jan 1 00:51:30 1990	Failed	-	SLA disabled before probe response arrived.

show ip-sla <ID> message-statistics

Syntax

```
show ip-sla <ID> message-statistics
```

Description

Show the IP SLA message statistics.

show ip-sla <ID> message-statistics

```
SLA ID : 1
Status : Running
SLA Type : UDP-Echo
Destination Address : 10.0.0.2
Source Address : 10.0.0.1
Destination Port : 2000
History Bucket Size : 25
Payload Size : 500
TOS : 0
Messages:
Destination Address Unreachable : 0
Probes Skipped Awaiting DNS Resolution : 0
DNS Resolution Failed : 0
No Route to Target : 0
Internal Error : 0
Local Interface is Down : 0
No Response from Target : 0
Successful Probes Sent : 3
Probe Response received : 3
Possibly Tail Dropped : 0
```

show ip-sla <ID> results

Syntax

```
show ip-sla <ID> results
```

Description

Shows the results for the last IPSLA UDP Jitter or UDP Jitter for VoIP test. Note this command is not valid for any other SLA type.

HP-5406Rzl2(config)# sh ip-sla 1 results

```
Test Results for SLA ID: 1
Probe Id      : 10
SLA Type      : UDP-Jitter
```

```

Destination IP Address      : 10.2.2.2
Destination Port           : 4444
  Source IP Address        : 10.2.2.2
  Source Port              : 5555

Number of Packets Sent      : 10
Number of Packets Received  : 10
Minimum Round Trip Time    : 15
Maximum Round Trip Time    : 32
Average Round Trip Time    : 17
Square-Sum of Round Trip Time : 3235
Last Succeeded Probe Time  : 2008-05-29 13:56:17.6

```

```

Extended Results:
  Packet Loss in Test      : 0%

```

```

UDP-Jitter Results:
  RTT Number              : 10
  Min Positive SD         : 4      Min Positive DS         : 1
  Max Positive SD         : 21     Max Positive DS         : 28
  Positive SD Number      : 5      Positive DS Number      : 4
  Positive SD Sum         : 52     Positive DS Sum         : 38
  Positive SD Average     : 10     Positive DS Average     : 10
  Positive SD Square Sum  : 754    Positive DS Square Sum  : 460
  Min Negative SD        : 1      Min Negative DS        : 6
  Max Negative SD        : 13     Max Negative DS        : 22
  Negative SD Number     : 4      Negative DS Number     : 5
  Negative SD Sum        : 38     Negative DS Sum        : 52
  Negative SD Average    : 10     Negative DS Average    : 10
  Negative SD Square Sum : 460    Negative DS Square Sum : 754

```

```

One-way Results:
  Max SD Delay           : 15      Max DS Delay           : 16
  Min SD Delay           : 7      Min DS Delay           : 7
  Number of SD Delays    : 10     Number of DS Delay    s : 10
  Sum of SD Delays       : 78     Sum of DS Delays      : 85
  Square Sum of SD Delays : 666   Square Sum of DS Delays : 787

```

For UDP Jitter for VoIP SLA, the following parameters are additionally shown:

```

Voice Scores:
  ICPIF                                     : 4
  MOS                                       : 4.38

```

show ip-sla <ID> aggregated-results

Syntax

```
show ip-sla <ID> aggregated-results
```

Description

Shows the aggregated results for the last 25 probes conducted for an IPSLA UDP Jitter or UDP Jitter For VoIP SLA test. Note this command is not valid for any other SLA type.

HP-5400-48G(config)# show ip-sla 1 aggregated-results

```

Test results for SLA ID: 1
SLA Type              : UDP-Jitter
Destination IP Address : 10.2.2.2
Destination Port      : 4444

```

```
Source IP Address      : 10.2.2.2
Source Port           : 5555
First Probe Start Time : 2008-05-29 13:56:17.6

Number of Packets Sent      : 10
Number of Packets Received  : 10
Minimum Round Trip Time    : 15
Maximum Round Trip Time    : 32
Average Round Trip Time    : 17
Square-Sum of Round Trip Time : 3235
```

Aggregated Results for the Last 25 Probes

Extended Results:

```
Packet Loss in Test      : 0%
Probe Failure Reason     :
```

UDP-Jitter Results:

```
RTT Number              : 10
Min Positive SD         : 4      Min Positive DS         : 1
Max Positive SD         : 21     Max Positive DS         : 28
Positive SD Number      : 5      Positive DS Number      : 4
Positive SD Sum         : 52     Positive DS Sum         : 38
Positive SD Average     : 10     Positive DS Average     : 10
Positive SD Square Sum  : 754    Positive DS Square Sum  : 460
Min Negative SD         : 1      Min Negative DS         : 6
Max Negative SD         : 13     Max Negative DS         : 22
Negative SD Number      : 4      Negative DS Number      : 5
Negative SD Sum         : 38     Negative DS Sum         : 52
Negative SD Average     : 10     Negative DS Average     : 10
Negative SD Square Sum  : 460    Negative DS Square Sum  : 754
```

One-way Results:

```
Max SD Delay            : 15     Max DS Delay            : 16
Min SD Delay            : 7      Min DS Delay            : 7
Number of SD Delays     : 10     Number of DS Delay     s : 10
Sum of SD Delays        : 78     Sum of DS Delays        : 85
Square Sum of SD Delays : 666    Square Sum of DS Delays : 787
```

For UDP Jitter for VoIP SLA, the following parameters are additionally shown:

Voice Scores:

```
Max MOS Value          : 4.38    Min MOS Value           : 4.38
Max ICPIF Value        : 0      Min ICPIF Value         : 0
```

show ip-sla responder

Syntax

```
show ip-sla responder
```

Description

Show the IP SLA responder details.

show ip-sla responder

```
SLA type              : UDP-echo
Listening Address:    1.1.1.1
Listening Port        : 5555
```


show ip-sla responder statistics

Syntax

```
show ip-sla responder statistics
```

Description

Show the IP SLA responder statistics details.

Options

udp-jitter

Show the IP SLA responder statistics for UDP Jitter SLA type.

udp-jitter-voip

Show the IP SLA responder statistics for UDP Jitter VoIP SLA type.

show ip-sla responder statistics

```
IP SLA Responder : Active
Number of packets received      : 31
Number of error packets received : 0
Number of packets sent         : 0

Recent Sources :
 10.12.80.100 [07:23:49.085 UTC Sun Oct 25 2015] UDP
 10.12.80.100 [07:22:49.003 UTC Sun Oct 25 2015] TCP
 10.12.80.100 [07:20:48.717 UTC Sun Oct 25 2015] TCP
 10.12.80.100 [07:18:48.787 UTC Sun Oct 25 2015] TCP
 10.12.80.100 [07:17:48.871 UTC Sun Oct 25 2015] TCP
```

show tech ip-sla

Syntax

```
show tech ip-sla
```

Description

Display output of a predefined command sequence used by technical support.

show tech ip-sla

```
switch# sh tech ip-sla

ipslaShowTech

===== IP SLA show tech BEGIN =====

GLOBALS:
Hash Handle:                1e7bab20
Struct Mem Handle for hash:  1e7ba2a8
Struct Mem Handle for SLA ID LL: 1e7c9430
Struct Mem Handle for FD List: 1e7bd690
FastLog Handle:             dfabf5c
IPSLActrl task ID:          1068091456
IPSLA Sender ID:            1068092544
IPSLA Listener ID:          1068091840
```

```
Number of enabled SLA's:      1
SLA ID List Handle:          1ec1ffd4
FD ID List Handle:           0
Ring Full Counter:           0
```

Details for SLA ID: 1

```
SLA ID: 1
Status: Running
```

SLA mechanism: ICMP-Echo

```
Destination address: 192.168.1.2
Source address: 192.168.1.1
History bucket size: 25
Payload size: 0
TOS: 0
```

Schedule:

```
Frequency (seconds)      : 60
Life                     : Forever
Start Time               : Mon Jun 13 10:42:52 2016
Next Scheduled Run Time  : Mon Jun 13 10:46:52 2016
```

Threshold-Monitor is : Enabled

```
Threshold Config      : RTT
Threshold Type        : Immediate
Upper Threshold       : 10
Lower Threshold       : 2
Action Type           : Log
```

```
SLA ID: 1
Status: Running
```

SLA mechanism: ICMP-Echo

```
Destination address: 192.168.1.2
Source address: 192.168.1.1
History bucket size: 25
Payload size: 0
TOS: 0
```

Messages:

```
Destination address unreachable      : 0
Probes skipped awaiting DNS resolution : 0
DNS resolution failed                : 0
No route to target                   : 0
Internal error                       : 0
Local interface is down              : 0
No response from target              : 0
Successful probes sent                : 9
Probe response received               : 9
Possibly tail dropped                 : 0
```

Count of Threshold hits:

```
RTT          : 0
packetLoss   : 0
```

```
SLA ID: 1
```

```
Minimum RTT (ms)      : 1
```

```
Maximum RTT (ms)      : 1
Average RTT (ms)     : 1
Total RTT (ms)       : 9
RTT2 (sum of RTT squared): 9
```

Start Time	Status	RTT	Description
Tue Jun 14 10:43:12 2016	Passed	1	
Mon Jun 13 10:39:05 2016	Passed	1	
Mon Jun 13 10:40:05 2016	Passed	1	
Mon Jun 13 10:41:05 2016	Passed	1	
Mon Jun 13 10:42:05 2016	Passed	1	
Mon Jun 13 10:42:52 2016	Passed	1	
Mon Jun 13 10:43:52 2016	Passed	1	
Mon Jun 13 10:44:52 2016	Passed	1	
Mon Jun 13 10:45:52 2016	Passed	1	

```
ICMP ID hash walk:
```

```
===== IP SLA show tech END =====
```

```
===== IP SLA Server show tech BEGIN =====
Responder not active
IP SLA Responder: Inactive
```

```
===== IP SLA Server show tech END =====
```

```
=== The command has completed successfully. ===
```

clear ip-sla responder statistics

Syntax

```
clear ip-sla responder statistics <SLA-TYPE> <LOCAL-IP-ADDR> <LOCAL-PORT-NUM>
source <SOURCE-IP-ADDR>
```

Description

Clear IP SLA responder statistics for either UDP jitter or VoIP UDP jitter.

Command context

```
config
```

Parameters

<SLA-TYPE>

Specifies the SLA type.

udp-jitter

Selects standard UDP jitter.

udp-jitter-voip

Selects UDP VOIP jitter.

<LOCAL-IP-ADDR>

Specifies the local interface IP address

<LOCAL-PORT-NUM>

Specifies the local interface port number. Range: 1024 to 65535.

<SOURCE-IP-ADDR>

Specifies the Source IP address.

Examples

Clear IP SLA responder statistics for UDP jitter:

```
switch(config)# clear ip-sla responder statistics udp-jitter 1.1.1.1 1100 source 1.1.1.2
```

Validation rules

Validation	Error/Warning/Prompt
Enabling SLA without configuring SLA type.	Cannot enable IP SLA, no valid source/destination configured.
IP address given for source or destination is multicast or broadcast.	Invalid IP address.
Configure the SLA type with a source IP which is configured in the same switch.	Destination IP cannot be configured as the same as one of the local interface IP addresses.
Configure threshold with invalid value.	Invalid threshold count value. For threshold type 'Immediate', count must be 1 and for 'Consecutive', count must be greater than or equals to 2.
Configure threshold value for 'PacketLoss' or 'TestCompletion'	Configuration is not applicable when threshold is configured for 'PacketLoss' or 'TestCompletion'.
Configure threshold type for TestCompletion.	Configuration is not applicable when threshold is configured for 'TestCompletion'.
Configure schedule with proper end time with a frequency which is out of end time.	Invalid endtime. Endtime is not enough to run the tests for configured frequency and repetitions.
Configuring 'srcTodstTime' or 'dstTosrcTime' threshold configuration for 'icmp-echo' or 'tcp-connect'.	Invalid threshold configuration for configured SLA type.
Enabling the IP SLA which is already in enabled state.	IP SLA is already enabled.
Disabling the IP SLA which is already in disabled state.	IP SLA is already disabled.
Show IP SLA history of un-configured SLA.	IP SLA is not configured for this ID.
Enable more number (currently decided 50 as limit) of IP SLA.	Maximum number of enabled IP SLAs at a time is limited to 50.

Table Continued

Validation	Error/Warning/Prompt
Removing IP SLA type/tos/history size/schedule/ threshold configuration with un-configured value.	IP SLA configuration does not exist.
Configuring scheduler with a frequency value which is not satisfying the condition $\text{frequency} > \text{number of packets per probe} * \text{packet interval}$.	Frequency value is insufficient to configure the scheduler.
Scheduler already configured and try to configure SLA type with a value of 'number of packets per probe' and 'packet interval' which is not satisfying the condition $\text{frequency} > \text{number of packets per probe} * \text{packet interval}$.	Number of packets/packet interval is insufficient to configure IP SLA type.
Configuring IP SLA with invalid values.	Invalid configuration for IP SLA.
Change the IP SLA configuration when the SLA is enabled.	Configuration changes not allowed when IP SLA is enabled.
When IP address vs port number configured for an SLA is already in use	Error: Socket for configured address, port is already in use, choose different port number
When Source IP address given in SLA configuration is not configured in the switch	Error: Source IP address is not configured in switch
Invalid SLA ID given in show command	Error: Invalid IP SLA ID
Configure SLA more than allowed limit	Warning: The maximum number of IP SLAs allowed is 50.
Configure Responder more than allowed limit	Error: IP SLA Responder configurations reached max limit. No more configurations accepted.
Configure inter-packet interval when number of packets to be sent out is one.	Error Not applicable as Number of packets to be sent out is 1.
Upper threshold value is less than lower threshold value.	Error: Upper threshold value X is less than lower threshold value Y.
Configure schedule with start time greater than stop time.	Error: Stop time must be greater than start time.
Configure schedule with past stop time.	Error: Stop time must be greater than current time.
Configure schedule with invalid frequency value.	Error: Schedule frequency is out of range. Valid range is 5 to 604800.
Configuring history size with invalid value.	Error: IP SLA History size is out of range. Valid range is 1–50.
Configuring SLA type with invalid payload value.	IP SLA Payload value is out of range. Valid range is 1–1440.
Configuring SLA type with invalid port number.	Invalid port number. Valid range is 1024 to 65535.

Table Continued

Validation	Error/Warning/Prompt
Configure the IPSLA parameters without configuring SLA type.	No valid IP SLA type configuration found.
Configuring the responder with existing details.	IP SLA Responder with same configuration exist.
Configure management VLAN as source VLAN.	Error: Not allowed to configure management VLAN as source interface.
Enabling IP SLA without required configuration parameters.	Configuration is incomplete to enable the entry.
Configure IPSLA UDP Jitter/VoIP session when an OpenFlow custom match mode instance is already enabled.	Cannot enable IP SLA: Initiator cannot co-exist with OpenFlow custom Cannot enable IP SLA: Initiator cannot co-exist with OpenFlow custom
Configure UDP Jitter/VoIP IPSLA Initiator session with a source IP same as tunnel overlay VLAN	Cannot enable IP SLA: The source VLAN cannot be a tunnel overlay VLAN.
Configure UDP Jitter/VoIP IPSLA Initiator session with a source IP same as a service tunnel endpoint.	Cannot enable IP SLA: The source VLAN cannot be a service tunnel endpoint.

Event log messages

Cause

Event	Message
User adds IP SLA endpoint configuration.	I 10/28/15 02:47:12 05020 ipsla: The IP SLA 1 of SLA Type: UDP-Echo, Source IPv4 Address: 10.0.0.1, Destination IPv4 Address: 10.0.0.5, Destination Port: 54563 added.
User removes the endpoint configuration.	I 10/28/15 02:47:12 05021 ipsla: The IP SLA 1 of SLA Type: UDP-Echo, Source IPv4 Address: 10.0.0.1, Destination IPv4 Address: 10.0.0.5, Destination Port: 54563 removed.
When the SLA state changes (can be either system initiated or done by the user)	I 10/28/15 01:42:22 05027 ipsla: IP SLA 1 state changed to Expired.I 10/28/15 01:42:22 05021 ipsla: IP SLA 1 state changed to Enabled.I 10/28/15 01:42:22 05021 ipsla: IP SLA 1 state changed to Scheduled.I 10/28/15 01:42:22 05021 ipsla: IP SLA 1 state changed to Admin-disabled.
User configures a responder	I 10/28/15 01:42:22 05025 ipsla: IP SLA responder configured for SLA Type: TCP-Connect, Listen Address: 10.0.0.7, Listen Port: 38425

Table Continued

Event	Message
User removes a responder	I 10/28/15 01:42:22 05026 ipsla: IP SLA responder removed for SLA Type: TCP-Connect, Listen Address: 10.0.0.7, Listen Port: 38425
SLA test results cross configured threshold	I 10/28/15 01:42:22 05022 ipsla: IP SLA 1, threshold is crossed. Monitored Param: RTT, Threshold Type: immediate, Upper threshold: 500, Lower threshold: 100, Action Type: Trap and Log. Actual Threshold: 600
User adds DNS IP-SLA configuration	I 08/09/16 02:47:12 05029 ipsla: The IP SLA 1 of SLA Type: DNS, Name server IPv4 Address: 10.0.0.1, Target Hostname: a.hp.com added
User removes DNS IP-SLA configuration	I 08/09/16 02:47:12 05030 ipsla: The IP SLA 1 of SLA Type: DNS, Name server IPv4 Address: 10.0.0.1, Target Hostname: a.hp.com removed.
The packet loss threshold for the SLA has reached	I 08/09/16 02:47:12 05023 ipsla: The IP SLA 1 of SLA Type: DNS, Packet loss is observed. Threshold type: immediate, Action type: Trap and Log
The SLA test has completed and the threshold config for test completion is present	I 08/09/16 02:47:12 05024 ipsla: The IP SLA 1, Probe for SLA Type: UDP-Echo, Source IPv4 Address:1.1.1.2, Destination IPv4 Address:1.1.1.3, Destination Port:3000 Completed
TCP-Connect Duplicate configuration is present	W 08/09/16 02:47:12 05028 ipsla: Duplicate configuration detected; the IP SLA 10 configuration is the same as the IP SLA 1. For TCP, 4-tuple combination has to be unique.
User adds DHCP SLA configuration	I 08/09/16 02:47:12 05031 ipsla: The IP SLA 1 of SLA Type: DHCP, Vlan: 1 added.
User removes DHCP SLA configuration	I 08/09/16 02:47:12 05032 ipsla: The IP SLA 1 of SLA Type: DHCP, Vlan: 1 removed.
DHCP SLA test has completed and the threshold config for test completion is present	I 08/09/16 02:47:12 05033 ipsla: The IP SLA 1, Probe for SLA Type: DHCP, Source Vlan : 1 Completed

Interoperability

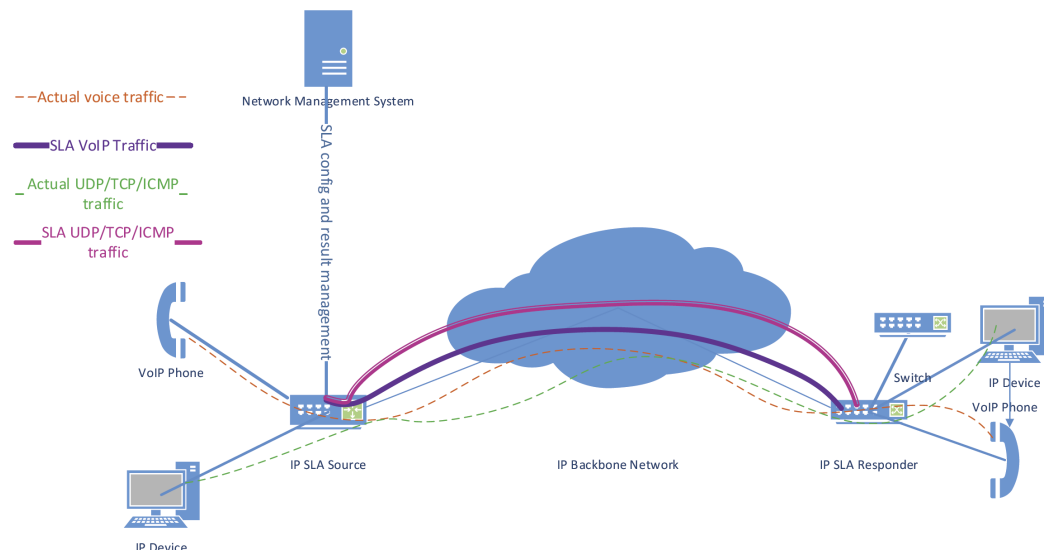


Packet loss is expected when H3C TCP-CONNECT source, with a frequency less than or equal to 10 ms, interoperates with HPE TCP-CONNECT responder.

IP SLA UDP Jitter and Jitter for VoIP

Overview

The UDP Jitter and Jitter for VoIP SLA types enable the user to assess the suitability of the network for voice & video related traffic. These SLA's basically calculate parameters like RTT, one way delay, one way positive and negative Jitter etc.



The above diagram shows a typical deployment, where voice & video traffic are exchanged between branch offices of an enterprise over the backbone network. Assessment of the network readiness is always helpful for hosting such services. Parameters like RTT, Jitter and one way delay are a good indicator of network health which assist a network administrator to diagnose latency related issues in the network. VoIP traffic is generally sensitive to delays in the network.

Jitter stands for inter-packet delay variance. If the inter-packet delay increases between successive probe packets, jitter is said to be positive. If the inter-packet delay decreases, jitter is said to be negative. Positive jitter values are undesirable for a network as they indicate increased latencies. A value of 0 jitter is desirable.

Significance of jitter

Consider a media player which plays video streams from a server. Assume that packets take 1 second in flight to reach the media player. This means the moment a user requests a video from the server, the very first packet will arrive after one second and successive packets will be sent immediately (ideally). In real world scenarios, intermediate node latencies, different return paths for different packets and network congestion can contribute to varying delays. To counter such effects, packets are buffered at the media player. The amount of packet buffering needed can be derived from the jitter values.



The above analogy is applicable for other voice & video services and can be a good measure to assess the possibility for hosting a service on a network.

Solution components

IP SLA responder

This device receives IP SLA probe packets from a configured initiator, timestamps the frame at a pre-defined location in the packet upon receipt and sends the same frame back to the initiator.

IP SLA initiator

This device initiates IP SLA probe packets to multiple destinations each with a certain user configurable packet content and periodicity.

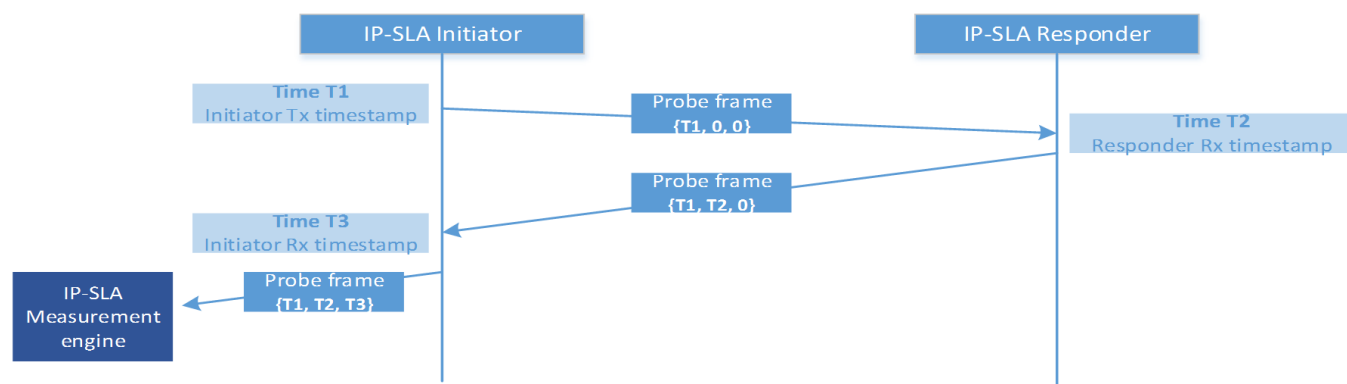
The initiator timestamps the frame at a pre-defined location before sending the frame out to the configured destinations and re-timestamps the frame at a different location once it receives the same back from the responder.

IP SLA measurement engine

This is an application running on the initiator. It processes response frames received from the IP SLA responder and computes one-way delay, jitter and RTT based on the timestamps present in the packet.

This application aggregates this computed information across multiple probe samples and stores this for consumption by an NMS via SNMP or via the device CLI.

It also supports asynchronous user configurable threshold breach notification to an NMS (via SNMP Traps).



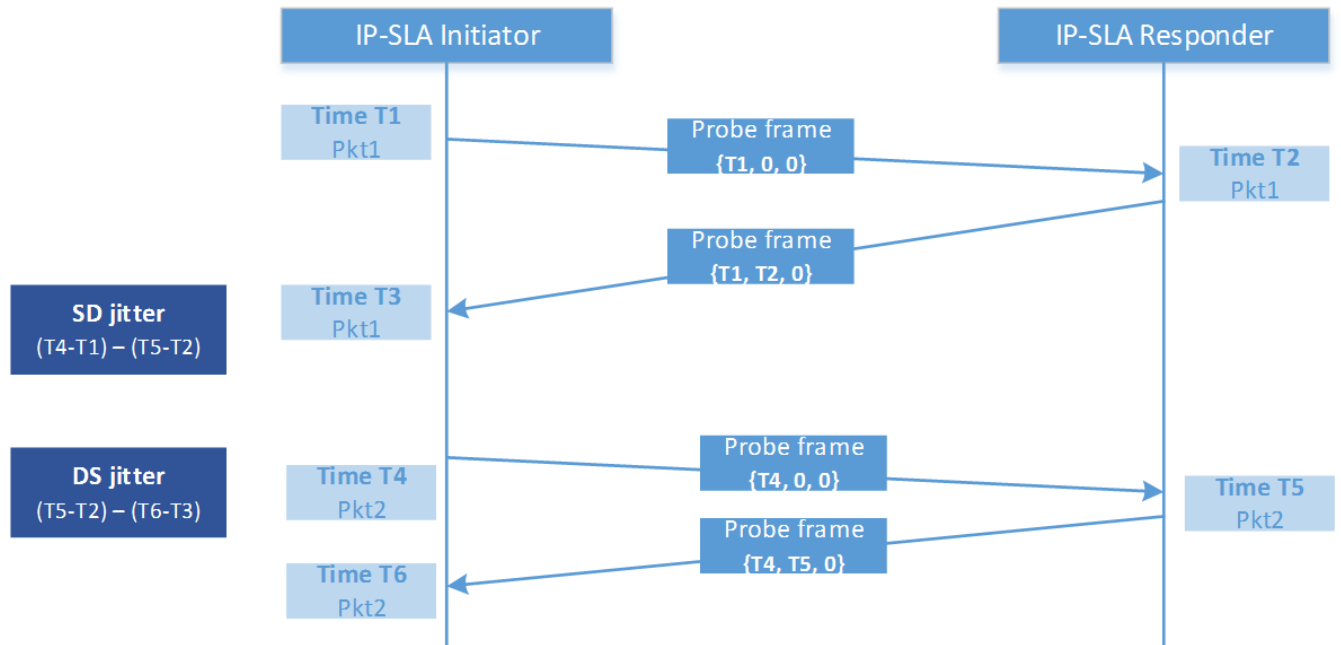
SLA Measurements

The following metrics are measured as part of this IP SLA jitter functionality.

One way jitter

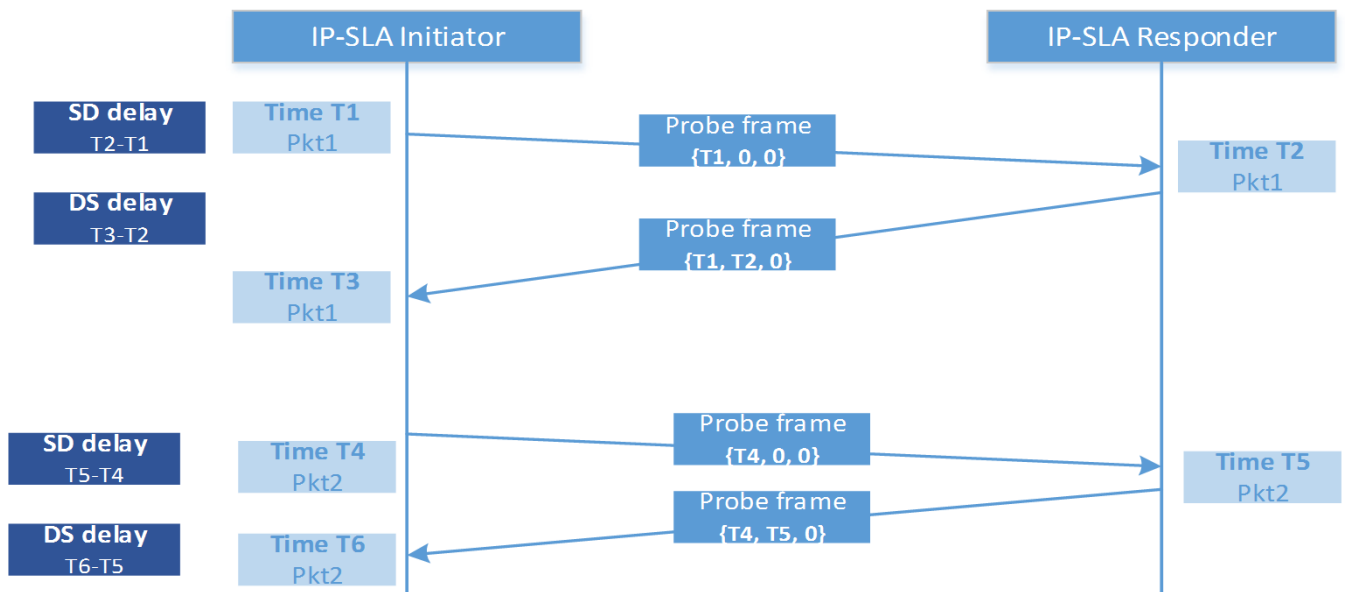
One way jitter is defined as the time difference between inter-packets transmit time and inter-packets arrival time in a given direction. This is measured in both the Initiator to Responder direction (referred to as SD jitter) as well as the Responder to initiator direction (referred to as DS jitter).

Ideally, the jitter in both directions should be 0. A positive value of jitter is bad for VOIP and higher values of jitter will mean poor conversation quality. This is explained in the illustration below:



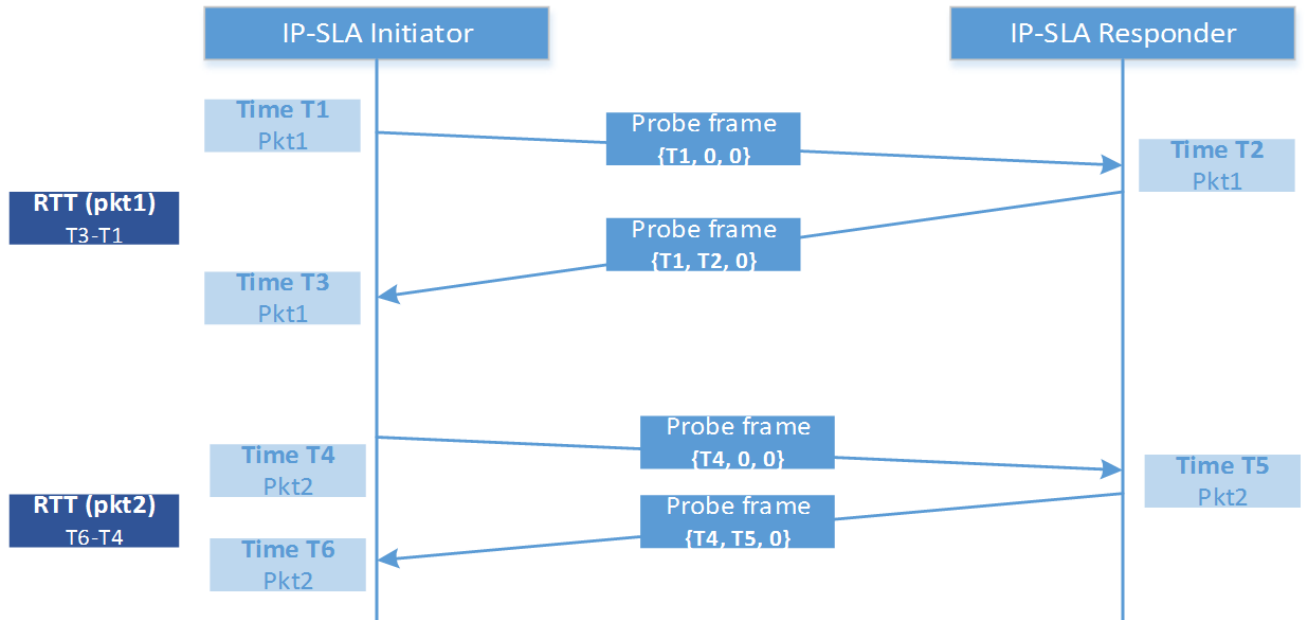
One way delay

One way delay is defined as the time difference between the Initiator transmitting the frame and the Responder receiving the frame. This requires the Initiator and the Responder to be time synchronized with the same clock server. This is explained in the illustration below:



Round trip time

RTT is measured at the initiator on a per packet basis and is as illustrated below:



Aruba Central Network Management Solution Overview

The Aruba Central network management solution, a software-as-a-service subscription in the cloud, provides streamlined management of multiple network devices. Aruba switches are able to talk to Aruba Central and utilize cloud-based management functionality. Cloud-based management functionality allows for the deployment of network devices at sites with no IT personnel (branch offices, retail stores, and so forth). The communication channel used to connect the devices with the cloud portal is outside the control of end users. It adheres to corporate standards like the use of firewalls.

This feature provides:

- Zero-touch provisioning
- Network Management/Remote monitoring
- Events/alerts notification
- Configuration
- Firmware management

Table 33: *Features supported by Aruba Central*

Configuration	
VLANS	Create VLANs IP address assignment Tag/Untag
Ports	Admin status [Up/Down] PoE [Enable/Disable for an interface]
User Management	Create/delete Operator User Create Manager user IP address assignment to Uplink Vlan [Static to DHCP and vice versa] Name server configuration
RCD	
Establish a remote console session to Switch	
Monitoring	
Events	
Statistics	

Firmware Management

Update the switch firmware

Troubleshooting

Execute troubleshooting commands from central

Restricted commands in switch when connected to Central

- boot
- recopy
- erase
- reload
- startup-default
- upgrade-software
- setup
- delete
- reboot
- restore
- menu
- write memory
- amp-server

Limited Management Interface on switch

- WebUI
- REST
- SNMP
- TR-69
- Menu

You can provision the switch in Aruba Activate. For more information about provisioning, See *Aruba Networks and AirWave Switch Configuration Guide*.

LED Blink feature

Central connectivity loss is indicated by LEDs. If connectivity is broken and Aruba-Central is enabled, the USR/FDX and Locator LEDs will blink. The LEDs will stop blinking once the switch is connected back to Central.

Configuration commands

aruba-central

Syntax

```
aruba-central {enable | disable | support-mode {enable | disable}}
```

Description

Configure Aruba Central server support. When enabled, and when a server web address has been obtained using Aruba Activate, the system will connect to an Aruba Central server. The system will obtain configuration updates and most local configuration commands will be disabled. This mode is enabled by default.

Enter support mode to enable all configuration commands. Normally, when the system is connected to an Aruba Central server, the configuration is updated from that server and most local configuration commands are disabled.

Support mode enables those commands for use in troubleshooting problems. Support mode is disabled by default. When the system is not connected to Aruba Central server, the full command set is enabled for local configuration.

Restrictions

- Switch communication to Aruba Central is not supported via OOBM.
- Aruba-central is not supported in FIPS switches and it will be disabled by default.
- Aruba-central is not supported in Stack switches and it will be disabled by default.



To avoid broadcast storm or loops in your network while configuring ZTP, do not have redundant links after you complete ZTP and Airwave registration. Authorize the new switch and then push the Golden Configuration template from Airwave.

Example

Enable Aruba Central server support

```
switch(config)# aruba-central enable
```

Disable Aruba Central server support

```
switch(config)# aruba-central disable
```

Enter support mode to enable all CLI configuration commands

```
switch(config)# aruba-central support-mode enable
```

This mode will enable all CLI configuration commands, including those normally reserved by the Aruba Central service.

Use of this mode may invalidate the configuration provisioned through Aruba Central server.
Continue (y/n)?

Show commands

show aruba-central

Syntax

```
show aruba-central
```

Description

Show Aruba Central server information.

show aruba-central

```
switch# show aruba-central
```

```
Configuration and Status - Aruba Central
```

```
Server URL      : https://hpsw-jenkins-soa-qa-build-1404-250.test.pdt1.arubathena.com/ws  
Connected      : Yes  
Mode           : Managed  
Last Disconnect Time : Tue Jun 14 16:01:15 2016
```

Activating ArubaOS-Switch Firmware Integration

CLIs are available for Activate firmware updates which enables, update, checks and shows firmware upgrades.

Operating Notes

Switch will periodically check with Activate every seven days for the latest image version.

Download the image from the URL provided by Activate and upgrade the switch with the new image.

Restrictions

When a switch is managed by either AirWave or Central, the automatic firmware check is disabled. The manual firmware check is available.

Activate upgrade from the non-supported build is disabled upon upgrading to version 16.03.

Upon upgrade from version 16.02 to version 16.03 with activate provision enabled, activate software update will be enabled.

activate software-update enable

Syntax

```
activate software-update [enable | disable]
```

Description

Enables or disables the Activate software update.

Activate software-update is enabled by default.

Options

disable

Disables the Activate software update.

enable

Enables the Activate software update.

Example

Switch will check with activate for every seven days for latest image available and RMON logs will be generated:

```
I 10/25/16 14:04:27 05219 activate:  
A system software update is available to version WB.16.02.0012.
```

activate software-update check

Syntax

```
activate software-update check
```

Description

Check the Activate software update manually.

Example

```
switch(config)$# activate software-update check

Configuration and Status - Activate Software Update

  Activate Server Address      : device.arubanetworks.com
  Activate Server Polling     : Enabled
  Installed Software Version   : WB.16.04.0000x
  Server Software Version     : Not available - server communication error.
  Server Software Image URL   : Not available - server communication error.
switch(config)$
```



This switch is not connected to Activate, hence communication error is shown in “Server Software Version” and “Server Software Image URL” field.

activate software-update update

Syntax

```
switch#(config) activate software-update update
```

Description

Updates the software for Activate.

Options

primary

Update primary software image using the Aruba Activate server.

secondary

Update secondary software image using the Aruba Activate server.

Example

```
switch# activate software-update update

This command will save the current configuration,
update the selected software image, and reboot the
system to the selected partition.

Continue (y/n)? y

000M
```

show activate software-update

Syntax

```
show activate software-update
```

Description

Show the configuration and status of the Activate software update.

Example output

```
switch(config)$ show activate software-update

Configuration and Status - Activate Software Update
```



```
Activate Server Address      : device.arubanetworks.com
Activate Server Polling     : Enabled
Installed Software Version  : WB.16.04.0000x
Server Software Version     : Not available - server communication error.
Server Software Image URL   : Not available - server communication error.
switch(config)$
```

Overview

Auto device detection

The command `device-profile` enables the user to define profiles and configure the associations of profiles to each device type. By creating a device profile, parameters will be defined for a connection interface by device type. To configure each parameter under a profile name, a context level is provided.

The command `device-profile name <PROFILE NAME>` configures for the default values. The default value is permissible when no user-defined profile is created.

To associate each device type with a device profile, a context level is created which authorizes the user to enable or disable the profile by device-type. Only the device type `aruba-ap` is supported.

Rogue AP isolation

The command `rogue-ap-isolation` configures each device and blocks, logs, or allows a rogue AP when detected. The command enables or disables rogue AP isolation.

The command `clear rogue-ap-isolation` is provided to clear the detected rogue AP device MAC address.

Show commands are provided to display the configuration and status of the profiles. Another show command will display the list of rogue APs detected.

Jumbo frames on a device port

Configure jumbo frame support for the device port. Jumbo frames are not permissible by default.

Enabling jumbo frame support in a profile might affect other ports with different profiles. When a profile has jumbo frame enabled and is applied to any port, all other ports that are members of any VLAN listed in the profile will also have jumbo frame support.

Configuration commands

allow-jumbo-frames

Syntax

```
allow-jumbo-frames
```

Description

Configure jumbo frame support for the device port. Jumbo frames are not enabled by default.

Enabling jumbo frame support in a profile affects other ports with different profiles. When a profile has jumbo frames enabled and is applied to any port, all other ports that are members of any VLAN listed in the profile will also have jumbo frame support.

Validation rules

Validation	Error/Warning/Prompt
Invalid jumbo command.	Invalid input.
If jumbo frame support is configured on a VLAN for which the device profile had overridden the configuration, display the existing warning.	This configuration change will be delayed because a device profile that enables jumbo frame support is applied to a port in this VLAN.

Default AP Profile

Creates a user-defined profile.

The profile name is a valid character string with the maximum permissible length of 32. The default profile is named `default-ap-profile` and cannot be modified.

The default configuration parameters may be modified using the command `device-<PROFILE NAME> default-ap-profile`. Up to four different profiles may be configured.

The `[no]` command removes the user-defined profiles.

device-profile

From within the configure context:

Syntax

```
device-profile <PROFILE-NAME> <DEVICE-TYPE>
```

Description

Create port configuration profiles and associate them with devices. When a configured device type is connected on a port, the system will automatically apply the corresponding port profile. When the device is disconnected, the profile is removed after a 2 minute delay. Connected devices are identified using LLDP.

Options

<PROFILE-NAME>

Specify the name of the profile to be configured.

<DEVICE-TYPE>

Specify an approved device-type to configure and attach a profile to.

Parameters

allow-jumbo-frames

Configure jumbo frame support for the device port.

untagged-vlan <VLAN-ID>

Configure this port as an untagged member of specified VLAN.

tagged-vlan <VLAN-LIST>

Configure this port as a tagged member of the specified VLANs.

cos <COS-VALUE>

Configure the Class of Service (CoS) priority for traffic from the device.

ingress-bandwidth <PERCENTAGE>

Configure ingress maximum bandwidth for the device port.

egress-bandwidth <PERCENTAGE>

Configure egress maximum bandwidth for the device port.

poe-max-power <WATTS>

Configure the maximum PoE power for the device port (in watts).

poe-priority

Configure the PoE priority for the device port.

Usage

```
[no] device-profile name <PROFILE-NAME>
```

```
[no] device-profile type <DEVICE>
```

Associating a device with a profile

To associate an Aruba access point (AP) device-type to a user-defined profile, use the context `HPE Switch(device-aruba-ap) #`. All Aruba access points use the identifier **aruba-ap**.

The `[no]` form of the command removes the device type association and disables the feature for the device type.

The feature is disabled by default.

device-profile type

From within the configure context:

Syntax

```
device-profile type <DEVICE> [associate <PROFILE-NAME> | enable | disable ]
```

Description

This command specifies an approved device type in order to configure and attach a profile to it. The profile's configuration is applied to any port where a device of this type is connected.

Approved device types

aruba-ap

Aruba access point device.

Options

From within the **device-aruba-ap** context

associate <PROFILE-NAME>

Associated the specified device type by profile name.

enable

Enables the automatic profile association.

disable

Disables the automatic profile association.

Usage

```
[no] device-profile type <DEVICE> [associate <PROFILE-NAME> |enable | disable]
```

Restrictions

Only one device type is supported, `aruba-ap`, and it is used to identify all the Aruba access points.

Configuring the `rogue-ap-isolation` command

Used to configure the `rogue-ap-isolation` command. A block/log option may be configured for when a rogue AP is identified by the switch. The block/log option may be enabled or disabled. The default action is to block a rogue AP.

The `whitelist` command is used to configure any specific MAC addresses excluded from the rogue AP list. The whitelist configuration is saved in the configuration. The whitelist supports 128 MACs.

The `[no]` form the command is used to remove the MAC address individually by specifying the MAC.

`rogue-ap-isolation`

Within the configure context:

Syntax

```
rogue-ap-isolation
```

Description

Configure rogue AP isolation and rogue AP Whitelist MAC addresses for the switch. When enabled, the system detects the MAC address of rogue access points and takes the specified action for traffic or from that address. The whitelist is used to add MAC addresses of approved access points to the whitelist.

Options

action

Configure the action to take for rogue AP packets. Actions available are enable, disable, block, log, and whitelist.

block

Block and logs traffic to or from any rogue access points.

log

Log traffic to or from any rogue access points.

enable

Enable the rogue AP Isolation.

disable

Disable the rogue AP Isolation.

whitelist <MAC-ADDRESS>

Configures rogue AP Whitelist MAC addresses for the switch. This option is used to add MAC addresses of approved access points to the whitelist.

<MAC-ADDR>

Specify the MAC address of the device to be moved from the Rogue AP list to the whitelist.

Usage

```
rogue-ap-isolation [enable | disable]
rogue-ap-isolation action [log | block]
[no] rogue-ap-isolation whitelist <MAC-ADDRESS>
```

VXLAN show commands

VXLAN show commands include commands to display the status of a VXLAN feature, tunnels, and tunnel statistics.

show device-profile

Syntax

Within the configure context:

```
show device-profile
```

Description

Show device profile configuration and status.

config

Show the device profile configuration details for a single, or all, profiles.

status

Show currently applied device profiles.

Usage

```
show device-profile config <PROFILE-NAME>
```

```
show device-profile status
```

show device-profile config

```
Switch# Show device-profile config
Device Profile Configuration
Configuration for device profile : default-ap-profile
  untagged-vlan      : 1
  tagged-vlan       : None
  ingress-bandwidth : 100%
  egress-bandwidth  : 100%
  cos                : 0
  speed-duplex      : auto
  poe-max-power     : 33W
  poe-priority      : High
  allow-jumbo-frames: Enabled

Configuration for device profile : profile1
  untagged-vlan      : 10
  tagged-vlan       : 40,50,60
  ingress-bandwidth : 10%
  egress-bandwidth  : 95%
  cos                : 4
  speed-duplex      : auto-10
```

```
poe-max-power    : 20W
poe-priority     : Low
```

show device-profile config profile1

```
Switch# Show device-profile config profile1
Device Profile Configuration
Configuration for device profile : profile1
untagged-vlan   : 10
tagged-vlan     : 40,50,60
ingress-bandwith : 10%
egress-bandwith : 95%
cos             : 4
speed-duplex    : auto-10
poe-max-power   : 20W
poe-priority    : Low
```

show command device-profile status

Syntax

```
show device-profile [config | status]
```

Description

Displays the device-profile configuration or device-profile status.

Options

config

Show device profile configuration details for a single profile or all profiles.

status

Show currently applied device profiles status.

show device-profile status

```
Switch# show device-profile status

Device Profile Status
Port           Device Type      Applied Device Profile
-----
5              aruba-ap        profile1
10             aruba-ap        profile1
```

Show rogue-ap-isolation

Syntax

```
show rogue-ap-isolation
```

Description

Show rogue access point information.

Options

whitelist

Show rogue access point whitelist information.

Usage

```
show rogue-ap-isolation whitelist
```

show rogue-ap-isolation

```
Switch# show rogue-ap-isolation

Rogue AP Isolation
Rogue AP Status : Enable
Rogue AP Action : Block
Rogue AP MAC           Neighbor Device
-----
11:22:33:44:55:66     00:12:34:56:67:89
aa:bb:cc:dd:ee:ff     00:98:45:56:67:89
```

show rogue-ap-isolation whitelist

```
Switch# show rogue-ap-isolation whitelist

Rogue AP Whitelist Configuration
Rogue AP MAC
-----
11:22:33:44:55:66
aa:bb:cc:dd:ee:ff
```


Overview

This feature supports secure communication between ArubaOS-Switches and the Aruba mobility controller (VPN concentrator) for Network Management Server (AirWave) traffic. The switch also provides the necessary support for Zero Touch Provisioning (ZTP) by establishing a secure tunnel between an ArubaOS-Switch and the Network Management Server (AirWave) which are provided for by a DHCP Server or Activate.

IPsec ensures that communication between ArubaOS-Switch-based switches and AirWave Server (management traffic) is protected by establishing a secure channel between the switches and the Aruba VPN Controller (connected to AirWave server).

Applicable products

Aruba 2930F Switch Series (JL253A, JL254A, JL255A, JL256A, JL259A, JL260A, JL261A, JL262A, JL263A, JL264A, JL258A)

Aruba 2930M Switch Series (JL319A, JL320A, JL321A, JL322A)

AirWave details

ZTP discovers switches in their respective management stations (AirWave) during initial boot up which enables the automatic configuration and management of the switches.

- ZTP checks if AirWave details are provided along with IP via DHCP.

If AirWave details are missing from DHCP, ZTP will try to connect to Activate to receive AirWave details.

IPsec for Management Traffic

IPsec provides support for Zero Touch Provisioning in deployment scenarios less restrictive than private LANs. This enables switches to be configured and managed automatically without administrator intervention. In a deployment scenario where a switch and AirWave are located in different branches connected via an untrusted public network (the Internet), communication between the switch and the AirWave server is now protected.

IPsec Tunnel Establishment

- IPsec tunnel for AirWave is auto-configured. The switch decides to create IPsec tunnel only when an Aruba controller IP is present in the device before establishing the connection to AirWave.
- If the controller IP is not provided, the switch will try to establish a direct connection to AirWave.
- If the controller IP is present, the ArubaOS-Switch auto configures and initiates an IPsec tunnel interface. Once the tunnel is established, the Aruba controller provides an inner IP which the switch will then use as source IP to send any AirWave bound traffic. The switch then creates a static route to AirWave with the IPsec tunnel interface as the gateway.

IPsec Tunnel Failures

The following behaviors can cause an IPsec tunnel creation failure:

- Time
The time in the switch has to be valid and correct. Time issues have been observed on the Aruba 2930F Switches.
- Authentication
The switch MAC addresses for both members must be added to the Aruba controller whitelist.
- Controller IP
The controller IP must be reachable from the switch.
- Static Route
There must not be any conflicting static route in the system for the AirWave IP configured.

AirWave IP after discovery

Airwave IP and Aruba Controller IP (either from the Activate Server or from a DHCP server) are established and auto configured in an IPSEC-IPv4 Tunnel. Once received, the IPsec tunnel is auto configured and established to send Airwave traffic securely. The Aruba Controller provides an inner-ip to the switch which then can communicate with Airwave.

Configuring the Aruba controller

On the Aruba Controller, configure via CLI:

Procedure

1. Disable control-plane-security (CPSEC).

```
control-plane-security
no cpsec-enable
```

2. Add the switch MAC address to whitelist and for authentication.

```
whitelist-db rap add mac-address <Switch Mac add> ap-group default [remote-ip <ip
address for Switch>]
local-userdb add username <Switch Mac Add> password <switch mac add>
```

3. Add an IP address pool that can be assigned to switch after tunnel creation. IP range must be in the same subnet through which AirWave is reachable from Controller.

```
ip local pool "ipsec" 2.0.0.100 2.0.0.255
```

4. Create access lists that permit AirWave traffic and assign them to ap-roles.

```
ip access-list session hpe-acl
any any tcp 22 permit
any any tcp 443 permit !
user-role ap-role
access-list session hpe-acl !
```

5. View the whitelist.

```
show whitelist-db cpsec
```

```
(host) #show whitelist-db cpsec
      ap-group <ap_group>
      ap-name <ap_name>
      cert-type {factory-cert|switch-cert}
      mac-address <name>
      page <num>
      start &lt;offset>
      state {approved-ready-for-cert|certified-factory-cert|
            unapproved-factory-cert|unapproved-no-cert}
```

show whitelist-db cpsec-status

```
(host) #show whitelist-db cpsec-status
(host) #show whitelist-db rap
      apgroup <rap-group>
      apname <rap-name>
      fullname <rap-fullname>
      long
      mac-address <mac-address>
      page <page-number>
      start &lt;offset>
```

show whitelist-db rap-status

```
(host) #show whitelist-db rap-status
```

show ip interface brief

```
(Aruba7210) #show ip interface brief
```

Interface	IP Address / IP Netmask	Admin	Protocol	VRRP-IP	(VRRP-Id)
vlan 1	172.16.0.254 / 255.255.255.0	up	up	none	(none)
vlan 30	30.30.30.2 / 255.255.255.0	up	up	none	(none)
vlan 17	17.0.0.5 / 255.255.255.0	up	up	none	(none)
loopback	unassigned / unassigned	up	up		

show vlan

```
(Aruba7210) #show vlan
```

VLAN CONFIGURATION

VLAN	Description	Ports	AAA Profile
1	Default	GE0/0/2-0/5 Pc0-7	N/A
17	VLAN0017	GE0/0/1	N/A
30	VLAN0030	GE0/0/0	N/A

amp ip is : 30.30.30.1

show running-config | begin "0/0/0"

```
#show running-config | begin "0/0/0"
(Aruba7210) #show running-config | begin "0/0/0"
interface gigabitethernet 0/0/0
  description "GE0/0/0"
  trusted
  trusted vlan 1-4094
  switchport access vlan 30
```

```

interface gigabitethernet 0/0/1
  description "GE0/0/1"
  trusted
  trusted vlan 1-4094
  switchport access vlan 17

interface gigabitethernet 0/0/2
  description "GE0/0/2"
  trusted
  trusted vlan 1-4094

interface gigabitethernet 0/0/3
  description "GE0/0/3"
  trusted
  trusted vlan 1-4094

interface gigabitethernet 0/0/4
  description "GE0/0/4"
  trusted
  trusted vlan 1-4094

interface gigabitethernet 0/0/5
  description "GE0/0/5"
  trusted
  trusted vlan 1-4094

interface vlan 1
  ip address 172.16.0.254 255.255.255.0
  ipv6 address 2001::1/64

interface vlan 30
  ip address 30.30.30.2 255.255.255.0

interface vlan 17
  ip address 17.0.0.5 255.255.255.0

no uplink wired vlan 1
uplink disable
ip nexthop-list pan-gp-ipsec-map-list

crypto isakmp policy 20
  encryption aes256

crypto isakmp policy 10001

crypto isakmp policy 10002
  encryption aes256
  authentication rsa-sig

crypto isakmp policy 10003
  encryption aes256

crypto isakmp policy 10004
  version v2
  encryption aes256
  authentication rsa-sig

crypto isakmp policy 10005
  encryption aes256

crypto isakmp policy 10006
  version v2

```

```

encryption aes128
authentication rsa-sig

crypto isakmp policy 10007
version v2
encryption aes128

crypto isakmp policy 10008
version v2
encryption aes128
hash sha2-256-128
group 19
authentication ecdsa-256
prf prf-hmac-sha256

crypto isakmp policy 10009
version v2
encryption aes256
hash sha2-384-192
group 20
authentication ecdsa-384
prf prf-hmac-sha384

crypto isakmp policy 10012
version v2
encryption aes256
authentication rsa-sig

crypto isakmp policy 10013
encryption aes256

crypto ipsec transform-set default-ha-transform esp-3des esp-sha-hmac
crypto ipsec transform-set default-boc-bm-transform esp-aes256 esp-sha-hmac
crypto ipsec transform-set default-1st-ikev2-transform esp-aes256 esp-sha-hmac
crypto ipsec transform-set default-3rd-ikev2-transform esp-aes128 esp-sha-hmac
crypto ipsec transform-set default-rap-transform esp-aes256 esp-sha-hmac
crypto ipsec transform-set default-aes esp-aes256 esp-sha-hmac
crypto dynamic-map default-rap-ipsecmap 10001

version v2
set transform-set "default-gcm256" "default-gcm128" "default-rap-transform"

crypto dynamic-map default-dynamicmap 10000
set transform-set "default-transform" "default-aes"

crypto map GLOBAL-IKEV2-MAP 10000 ipsec-isakmp dynamic default-rap-ipsecmap
crypto map GLOBAL-MAP 10000 ipsec-isakmp dynamic default-dynamicmap
crypto isakmp eap-passthrough eap-tls
crypto isakmp eap-passthrough eap-peap
crypto isakmp eap-passthrough eap-mschapv2

ip local pool "ipsec" 30.30.30.100

```

AirWave Controller IP configuration commands

aruba-vpn type

From within the configure context:

Syntax

```
aruba-vpn type amp peer-ip <ip-addr>
```

```
no aruba-vpn type amp peer-ip <ip-addr>
```

Description

Configure the Aruba VPN type, peer IP address.

The no form of the command removes the aruba-vpn type statement from the configuration.

Options

amp

Configure the AirWave Management Platform (AMP) server.

type

Configure the controller IP.

<ip-addr>

IP address of the VPN.

Usage

```
switch(config)# aruba-vpn type
switch(config)# aruba-vpn type amp
switch(config)# aruba-vpn type amp peer-ip
```

Show commands

show aruba-vpn

Syntax

```
show aruba-vpn type <VPN-TYPE>
```

Description

Show Aruba-VPN configuration information.

Switch(config)# show aruba-vpn

```
show aruba-vpn
Aruba VPN details
  Aruba VPN Type           : amp
  Aruba VPN Peer IP       : 171.0.0.3
  Aruba VPN Config Status  : Configured
  Aruba VPN tos           : Value from IPv4 header
  Aruba VPN ttl           : 64
```

show aruba-vpn type amp

```
show aruba-vpn type amp
```

```

Aruba VPN details
Aruba VPN Type      : amp
Aruba VPN Peer IP   : 2.2.2.2
Aruba VPN Config Status : Configured
Aruba VPN tos       : 32
Aruba VPN ttl       : 54

```

show ip route

Syntax

```
show ip route
```

Description

Show the IP route.

show ip route

IP Route Entries						
Destination	Gateway	VLAN	Type	Sub-Type	Metric	Dist.
0.0.0.0/0	192.168.20.31	1	static		250	1
2.0.0.25/32*	aruba-vpn		connected		1	0
2.0.0.199/32**	aruba-vpn		static		1	1
127.0.0.0/8	reject		static		0	0
127.0.0.1/32	lo0		connected		1	0
192.168.20.0/24	DEFAULT_VLAN	1	connected		1	0

*The inner IP received from the Aruba Controller.

**Static Route for Airwave IP. Added automatically by the switch after tunnel establishment.

show interfaces tunnel aruba-vpn

Syntax

```
show interfaces tunnel aruba-vpn
```

Description

Auto-configured tunnel interface before creating IPSec. The tunnel ID is auto generated and to avoid conflict with user generated tunnel interface, the tunnel id is always the max tunnel supported by the switch + 1.

aruba-vpn

Display the configuration and status details of aruba-vpn tunnel.

brief

Display brief configuration and status for all tunnels.

Usage

```
show interfaces tunnel aruba-vpn
```

```
show interfaces tunnel brief
```

```
show interfaces [tunnel] [<TUNNEL-LIST> | <TUNNEL-NAME> | brief | type]
```

show interfaces tunnel aruba-vpn

```
Aruba-3810M-24G-PoEP-1-slot(config)# show interfaces tunnel aruba-vpn
Tunnel Configuration :
  Tunnel           : tunnel-129
  Tunnel Name      : aruba-vpn-tunnel
  Tunnel Status    : Enabled
  Source Address   : 17.0.0.30
  Destination Address : 17.0.0.5
  Mode             : IPsec IPv4
  TOS              : Value from IPv4 header
  TTL              : 64
  IPv6             : Disabled
  MTU              : 1280

Current Tunnel Status :
  Tunnel State      : Up
  Destination Address Route : 17.0.0.0/24
  Next Hop IP       : 17.0.0.5
  Next Hop Interface : vlan-1
  Next Hop IP Link Status : Up
  Source Address    : Configured on vlan-1
  IP Datagrams Received : 9732
  IP Datagrams Transmitted : 13129
```

show interfaces tunnel brief

```
Aruba-3810M-24G-PoEP-1-slot(config)# show interfaces tunnel brief
Status - Tunnel Information Brief
  Tunnel           : tunnel-129
  Mode             : IPsec IPv4
  Source Address   : 17.0.0.30
  Destination Address : 17.0.0.5
  Configured Tunnel Status : Enabled
  Current Tunnel State : Up
```

show ip counters tunnel aruba-vpn

Syntax

```
show ip counters tunnel aruba-vpn
```

Description

Show IP counters for a tunnel.

Options

aruba-vpn

Show counters for aruba-vpn tunnel.

ipv4

Show IPv4 only.

ipv6

Show IPv6 only.

<TUNNEL-ID>

Show specified tunnel only.

Usage

```
show ip counters tunnel ipv4
show ip counters tunnel ipv6
show ip counters tunnel <TUNNEL-ID>
```

show ip counters tunnel aruba-vpn

```
sh ip counters tunnel
Address Family : IPv4
Interface      : Tunnel 129
IP In Datagrams Received           : 2439
IP In Octets Received              : 362736
IP In Datagrams Broadcast Received : 0
IP In Octets Broadcast Received    : 0
IP In Datagrams Multicast Received : 0
IP In Octets Multicast Received    : 0
IP In Datagrams Discarded Datagram Header Error : 0
IP In Datagrams Discarded No Route : 0
IP In Datagrams Discarded Invalid Address : 0
IP In Datagrams Discarded Unknown Protocol : 0
IP In Datagrams Discarded Truncation : 0
IP In Datagrams Discarded Processing Error : 0
IP In Datagrams Forwarding Required : 0
IP In Datagrams Delivery to Protocols Successful : 2439
IP Datagrams Reassembly Required   : 0
IP Datagrams Reassembly Successful : 0
IP Datagrams Reassembly Failed     : 0
IP Out Datagrams Transmitted       : 2514
IP Out Octets Transmitted           : 1197348
IP Out Datagrams Broadcast Transmitted : 0
IP Out Octets Broadcast Transmitted  : 0
IP Out Datagrams Multicast Transmitted : 0
IP Out Octets Multicast Transmitted  : 0
IP Out Datagrams Discarded Processing Error : 0
IP Out Datagrams Forwarded         : 0
IP Out Datagrams Transmit Requests from Protocols : 2509
IP Out Datagrams Fragmentation Required : 0
IP Out Datagrams Fragmentation Successful : 5
IP Out Datagrams Fragmentation Failed : 0
IP Out Datagrams Fragments Created  : 0

Address Family : IPv6
Interface      : Tunnel 129
IP In Datagrams Received           : 0
IP In Octets Received              : 0
IP In Datagrams Broadcast Received : 0
IP In Octets Broadcast Received    : 0
IP In Datagrams Multicast Received : 0
IP In Octets Multicast Received    : 0
IP In Datagrams Discarded Datagram Header Error : 0
IP In Datagrams Discarded No Route : 0
IP In Datagrams Discarded Invalid Address : 0
IP In Datagrams Discarded Unknown Protocol : 0
IP In Datagrams Discarded Truncation : 0
IP In Datagrams Discarded Processing Error : 0
```

```

IP In Datagrams Forwarding Required : 0
IP In Datagrams Delivery to Protocols Successful : 0
IP Datagrams Reassembly Required : 0
IP Datagrams Reassembly Successful : 0
IP Datagrams Reassembly Failed : 0
IP Out Datagrams Transmitted : 0
IP Out Octets Transmitted : 0
IP Out Datagrams Broadcast Transmitted : 0
IP Out Octets Broadcast Transmitted : 0
IP Out Datagrams Multicast Transmitted : 0
IP Out Octets Multicast Transmitted : 0
IP Out Datagrams Discarded Processing Error : 0
IP Out Datagrams Forwarded : 0
IP Out Datagrams Transmit Requests from Protocols : 0
IP Out Datagrams Fragmentation Required : 0
IP Out Datagrams Fragmentation Successful : 0
IP Out Datagrams Fragmentation Failed : 0
IP Out Datagrams Fragments Created : 0

```

show crypto-ipsec sa

Syntax

```
show crypto ipsec sa
```

Description

Show crypto-IPsec statistics.

Switch(config)# show crypto-ipsec sa

```
Aruba-2930F-48G-4SFPP# show crypto ipsec sa
```

```

Crypto IPSec Status
Interface : 1
Source Address : 192.168.20.14
Destination Address : 171.0.0.3
Source Port : 0 Destination Port : 0
SPI : 3767553536
Encapsulation Protocol : ESP
Encryption : AES Hash : SHA1
PFS : 0 PFS Group :
Mode : tunnel
Key Life : 3600 Remaining key Life : 3303
Key Size : 0 Remaining key Size : 0
Interface : 2
Source Address : 171.0.0.3
Destination Address : 192.168.20.14
Source Port : 0 Destination Port : 0
SPI : 4173307552
Encapsulation Protocol : ESP
Encryption : AES Hash : SHA1
PFS : 0 PFS Group :
Mode : tunnel
Key Life : 3600 Remaining key Life : 3301
Key Size : 0 Remaining key Size : 0

```

Usage

```
show crypto ipsec statistics
```

show running-configuration

Syntax

```
show running-configuration
```



IP route or tunnel interface will not be displayed in show run as they are auto created.

show running-configuration

```
show running-configuration

; JL254A Configuration Editor; Created on release #WC.16.02.0000x
; Ver #0e:01.b3.ef.7c.5f.fc.6b.fb.9f.fc.f3.ff.37.ef:ab

hostname "Aruba-2930F-48G-4SFPP"
module 1 type jl254a
snmp-server community "public" unrestricted

vlan 1
  name "DEFAULT_VLAN"
  untagged 1-52
  ip address dhcp-bootp
  exit

amp-server ip 2.0.0.199 group "aw_group" folder "fold" secret "secr"
aruba-vpn type amp peer-ip 171.0.0.3
```

Overview

Every client is associated with a user role. User roles associate a set of attributes for authenticated clients (clients with authentication configuration) and unauthenticated clients, applied to each user session. User roles must be enabled globally.

Examples of user roles are:

- Employee = All access
- Contractor = Limited access to resources
- Guest = Browse Internet

Each user role determines the client network privileges, frequency of reauthentication, applicable bandwidth contracts, and other permissions. There are a maximum of 32 administratively configurable user roles available with one predefined and read-only user role called **denyall**.

A user role consists of optional parameters such as:

- Captive portal profile Specifies the URL via:
 - **captive-portal profile**
or
 - Vendor Specific Attribute (VSA). RADIUS: HP **HP-Captive-Portal-URL** = <http://...>
- Ingress user policy
L3 (IPv4 and/or IPv6) ordered list of Classes with actions, with an implicit deny all for IPv4 and IPv6.
- Reauthentication period

The time that the session is valid for. The default is 0 unless the user role is overridden. The default means that the reauthentication is disabled.



Reauthentication period is required to override the default of 0.

- Untagged VLAN (either VLAN ID or VLAN-name)
VLAN precedence order behavior:
 - If configured, untagged VLAN specified in the user role (VSA Derived Role, UDR, or Initial Role).
 - Statically configured untagged and/or tagged VLANs of the port the user is on.

Operational notes

- When user roles are enabled, all users that are connecting on ports where authentication is configured will have a user role applied. User role application happens even if the user fails to authenticate. If the user cannot be authenticated, the “Initial Role” will be applied to that user.
- The user role may be applied in one of two ways:
 - Vendor Specific Attribute (VSA)
 - Type: RADIUS: Hewlett-Packard-Enterprise
 - Name: HPE-User-Role
 - ID: 25
 - Value: <myUserRole>

The RADIUS server (ClearPass Policy Manager) determines application of the VSA Derived Role. The role is sent to the switch via a RADIUS VSA. The VSA Derived Role will have the same precedence order as the authentication type (802.1x, WMA).
 - User Derived Role (UDR)
 - The User Derived Role is part of Local MAC authentication (LMA) and is applied when user roles are enabled and LMA is configured.
 - UDR will have the same precedence as LMA. Precedence behavior of the authentication types will be maintained, (802.1x -> LMA -> WMA (highest to lowest)).

Restrictions

- User roles cannot be enabled when BYOD redirect, MAC authentication failure redirect, or enhanced web-based authentication are enabled.
- Web-based authentication is not supported on the same port with other authentication methods when user roles are enabled.
- `show port-access <AUTH-TYPE>` commands are not supported when user-roles are enabled. The command `show port-access clients [detail]` is the only way to see authenticated clients with their associated roles.
- `aaa port-access auth <port> control` commands are not supported when user roles are enabled.
- `unauth-vid` commands are not supported when user roles are enabled.
- `auth-vid` commands are not supported when user roles are enabled.

Limitations for web-based authentication

Cannot be combined with other authentication types on same port.

Limitations for LMA

Reauthentication period and captive portal profile are not supported.

Error messages

Action	Error message
Attempting to enable BYOD Redirect when user roles are enabled.	BYOD redirect cannot be enabled when user roles are enabled.
Attempting to enable MAFR when user roles are enabled.	MAC authentication failure redirect cannot be enabled when user roles are enabled.
Attempting to enable enhanced web-based authentication when user roles are enabled.	Enhanced web-based authentication cannot be enabled when user roles are enabled.
Attempting to enable web-based authentication when other authentication types are enabled for the same port, and user roles are enabled.	Web-based authentication cannot be enabled with other authentication types on this port when user roles are enabled.
<pre>switch (config)# show port-access mac-based clients</pre>	User roles are enabled. Use <code>show port-access clients</code> to view client information.
<pre>switch (config)# aaa port-access authenticator e8 control autho</pre>	802.1x control mode, Force Authorized/Unauthorized , cannot be set when user roles are enabled.
Attempting to enable local user role when MAFR, BYOD, or EWA are enabled.	User roles cannot be enabled when BYOD redirect, MAC authentication failure redirect, or enhanced web-based authentication are enabled.

Captive-portal commands

Overview

The Captive Portal profile defines the web address that a user is redirected to for Captive Portal authentication. If the url is blank, a RADIUS VSA will be used.



There is a predefined profile called **use-radius-vsa** that is already configured to use the RADIUS VSA.

Two captive portal profiles are supported:

- Predefined and read-only

Predefined and read-only profile name is `use-radius-vsa`.

- Customized

[no] aaa authentication captive-portal profile

Syntax

```
[no] aaa authentication captive-portal profile <PROFILE-STR> [url <URL-STR>]
```

Description

Create a captive-portal profile. Profiles are used in user roles to direct the user to a designated captive portal server. When the profile includes a web address, that web address is always used to contact the server. When no web address is specified, it is obtained from the RADIUS VSA.



A profile does not have to be pre-existing in the switch for it to be configured to a user role.

Options profile

Configure a captive portal profile.

<PROFILE-STR>

Configure a captive portal profile string 64 characters long.

url

Configure the captive portal server web address.

<URL-STR>

Configure the captive portal server web address string.

Usage

```
Switch# aaa authentication captive-portal profile <NAME>
```

```
Switch# aaa authentication captive-portal profile <NAME> url <URL>
```

Validation rules

Validation	Error/Message/Prompt
<p>Attempts made to remove a nonexisting profile will return an error:</p> <pre>switch# no aaa authentication captive-portal profile NON_EXISTING_PROFILE</pre>	<p>Captive portal profile NON_EXISTING_PROFILE not found.</p>
<p>When including the configured web address after the web address parameter:</p> <pre>[no] aaa authentication captive-portal profile myCaptivePortalProfile url http://myCPPM.local/guest/captive_portal_login.php</pre>	<p>Invalid input: http://blablabla.com</p>
<p>A profile name with invalid syntax produces an error:</p> <pre>Switch# aaa authentication captive-portal-profile "this is an invalid name"</pre>	<pre>#aaa authentication captive-portal-profile "this is an invalid name" Invalid character ' ' in name.</pre>
<p>When trying to modify a profile that is predefined,</p> <pre>switch# aaa authentication captive-portal-profile name use-radius-vsa</pre>	<p>Captive portal profile use-radius-vsa is read only and cannot be modified</p>

Table Continued

Validation	Error/Message/Prompt
<p>A profile name that is too long produces an error:</p> <pre>switch# aaa authentication captive-portal-profiletest342...;ldklsdjflkdsjflk</pre>	The name must be fewer than 64 characters.
<p>When attempting to configure more than the number of admin configured profiles,</p> <pre>switch# aaa authentication captive-portal-profile profileNumber2</pre>	No more captive portal profiles may be created.

Policy commands

Overview

These commands create a context that may be used to classify the policy. From the existing `policy` command, a new policy type called **user** was added. The new actions are specific to **policy user**:

- redirect
- permit
- deny



Only L3 classes (IPv4 and IPv6) are currently supported.
The user policy includes “implicit deny all rules” for both IPv4 and IPv6 traffic.

policy user

Syntax

```
policy user <POLICY-NAME>
```

Description

Create and enter newly created user policy context.

Usage

```
Switch (config)# policy user employee
```

[no] policy user

Syntax

```
[no] policy user <POLICYNAME>
```

Description

Delete and remove specified user policy from switch configuration.

Operating notes

- The user policy will include implicit “deny all” rules for both IPv4 and IPv6 traffic.
- `ipv4` or `ipv6` classes must specify source address as *any*. Specifying host addresses or subnets will result in the following error message:

```
Switch (policy-user)# class ipv4 class25 action priority 0
User policies cannot use classes that have a source IP address specified.
```

- *permit* and *deny* are mutually exclusive.
- *ip-precedence* and *dscp* are mutually exclusive.

Usage

```
switch (config)# no policy user employee
```

policy resequence

Syntax

```
policy resequence <POLICYNAME> <START><INCREMENT>
```

Description

Resequence classes and remarks configured within specified user policy. The usage shows resequencing classes and remarks within user policy “employee” starting at 200 and incrementing by 2.

Usage

```
Switch (config)# policy user employee 200 2
```

Commands in the policy-user context

Create classes inside of the **policy** context before you apply actions to them.

(policy-user)# class

Within the **policy-user** context:

Syntax

```
(policy-user)# [no] [<SEQUENCE-NUMBER>] class ipv4 | ipv6 <CLASS-NAME> [action
permit | deny | redirect captive portal] | [action dscp | ip-precedence <CODEPOINT
| PRECEDENCE>] [action priority <PRIORITY>] | [action rate-limit kbps <RATE>]
```

Description

Associate a class with ACL or QoS actions for this policy.

Options

Options

deny

Deny all traffic.

DSCP

Specify an IP DSCP.

IP-precedence

Specify the IP precedence.

permit

Permit all traffic.

priority

Specify the priority.

rate-limit

Configure rate limiting for all traffic.

redirect

Specify a redirect destination.

Usage

```
Switch(policy-user)# class ipv6 employeeIpv6Http action deny
Switch(policy-user)# class ipv4 http action redirect captive-portal
Switch(policy-user)# class ipv4 dnsDhcp action permit
```

User role configuration

aaa authorization user-role

Syntax

```
aaa authorization user-role [enable | disable| [initial-role <ROLE-STR>] |[name <ROLE>]]
```

Description

Configure user roles. A user role determines the client network privileges, the frequency of reauthentication, applicable bandwidth contracts, along with other permissions. Every client is associated with a user role or the client is blocked from access to the network.

Options**enable**

Enable authorization using user roles.

disable

Disable authorization using user roles.

initial-role

The default initial role “denyall” is used when no other role applies. If a client connects to the switch and does not have a user role associated, then the initial role is used. Any role can be configured as initial role using this option. Can be configured at per port level. The per port initial role takes priority over global initial role.

The initial role may be assigned if:

- captive-portal profile is configured with a web address, but the Captive Portal VSA is sent from RADIUS
- captive-portal profile is configured to use the RADIUS VSA but no Captive Portal VSA is sent.
- captive-portal feature is disabled when the captive-portal profile is referenced in the applied user role to the client.
- The user role feature is enabled with RADIUS authentication, but no user role VSA is returned.
- User role does not exist.

- Not enough TCAM resource available.
- Access-Reject from RADIUS.
- User role VSA is sent along with invalid attributes.
- RADIUS not reachable.
- VLAN configured on the user role does not exist.
- Captive Portal profile does not exist.
- User policy configured on the user role does not exist.
- Reauthentication period is enabled (nonzero) in the user role for LMA.
- Captive Portal profile is included in the user role for LMA.

name <NAME-STR>

Create or modify a user-role. Role name identifies a user-role. When adding a user-role, a new context will be created. The context prompt will be named “user-role” (user-role)#.

Usage

```
Switch# aaa authorization user-role enable
```

```
Switch# aaa authorization user-role disable
```

```
Switch# aaa authorization user-role name <ROLE1>
```

```
Switch# [no] aaa authorization user-role enable
```

```
Switch# [no] aaa authorization user-role name <ROLE1>
```

```
Switch# aaa authorization user-role initial-role <ROLE1>
```

```
Switch# aaa authorization user-role name <MYUSERROLE> policy <MYUSERPOLICY>
```

```
Switch# aaa authorization user-role name <MYUSERROLE> captive-portal-profile <MYCAPTPORTPROFILE>
```

```
Switch# aaa authorization user-role name <MYUSERROLE> vlan-id <VID>
```

```
Switch# aaa authorization user-role name <MYUSERROLE> reauth-period <0-999999999>
```

Error log

Scenario	Error Message
If the user tries to delete a user-role configured as the initial role	User role <INITIAL_ROLE_NAME> is configured as the initial role and cannot be deleted.
If the user attempts to configure more than the number of administrator configured roles	#aaa authorization user-role name roleNumber33. No more user roles can be created.

Table Continued

Scenario	Error Message
If the user enters a role name that is too long	switch# aaa authorization user-role test342....jflkdsjflk. The name must be fewer than 64 characters long.
If the user enters a role name with invalid syntax	switch# aaa authorization user-role name "this is an invalid name". Invalid character '' in name.
If the user tries to delete a nonexisting user-role	User role <NON_EXISTING_ROLE_NAME> not found.
Switch# aaa authorization user-role name <DENYALL>	User role <DENYALL> is read only and cannot be modified.

captive-portal-profile

From within the **user-role** context:

Syntax

```
captive-portal-profile <PROFILE_NAME>
```

Description

Assigns a captive portal profile to the user role. The predefined captive portal profile, `use-radius-vsa`, indicates that the redirect web address must be sent via RADIUS.

To clear a captive portal profile from the user role, use the [no] version of the command.

policy

From within the **user-role** context:

Syntax

```
policy <POLICY_NAME>
```

Description

Assigns a user policy to the user role. To clear a policy from the user role, use the [no] version of the command.



Modification of the user policy, or class contained in a user policy, will force users consuming that user policy via a user role to be deauthenticated.

reauth-period

From within the user-role context:

Syntax

```
reauth-period <VALUE>
```

Description

Set the reauthentication period for the user role. Use [0] to disable reauthentication. For RADIUS-based authentication methods, it will override the RADIUS session timeout. It also overrides any port-based reauth-period configuration with the exception that LMA does not support a reauth-period.

Options

<VALUE>

Valid values are 0 – 999,999,999; a required configuration in user roles and it defaults to 0.

(user-role)# reauth-period 100

Set the reauthentication value for the current user role:

```
(user-role)# reauth-period 100
```

(user-role)# reauth-period 0

0 is used to disable reauthentication, and it is the default value.

```
(user-role)# reauth-period 0
```

Validation rules

Validation	Error/Warning/Prompt
<pre>(user-role)# reauth-period 10000000</pre>	Invalid input: 10000000000000000000

VLAN commands



The VLAN must be configured on the switch at the time the user role is applied. Only one of VLAN-name or VLAN-ID is allowed for any user role.

Modification of the VLAN will force users assigned to that VLAN via a user role to be deauthenticated.

vlan-id

From within the user-role context:

Subcommand syntax

```
vlan-id <VLAN-ID>
```

Description

Create a VLAN with id VLAN-ID.

Use the [no] version of the command when clearing the VLAN-ID from the user role:

Usage

```
(user-role)# no vlan-id
```

vlan-name

From within the **user-role** context:

Subcommand syntax

```
vlan-name <VLAN-NAME>
```

Description

Create a VLAN with the name VLAN-NAME. Only one of VLAN-NAME or VLAN-ID is allowed for any user role.

Use the [no] version of the command when clearing the VLAN from the user role, by name:

Usage

```
(user-role)# no vlan-name
```

vlan-id 100

```
(user-role)# vlan-id 100
```

vlan-name vlan100

```
(user-role)#vlan-name VLAN100
```

VLAN range commands

This command is executed from a global configuration context.

VLANS specified by VLAN-ID-LIST

Syntax

```
[no] vlan <VLAN-ID-LIST>
```

Description

Creates VLANs specified by the VLAN-ID-LIST and returns to the global configuration context. Use the [no] version of the command to delete the VLANs specified by the VLAN-ID-LIST.

Examples

```
config# vlan 2-15
config# vlan 5,10,13-20,25
config# no vlan 2-10
config# no vlan 2,5,15-18,25
```

VLANS specified by VLAN-ID-LIST and tag specified ports specified by PORT-LIST

Syntax

```
[no] vlan <VLAN-ID-LIST> tagged <PORT-LIST>
```

Description

Creates VLANs specified by the VLAN-ID-LIST and tags the ports specified by the PORT-LIST to the VLAN-ID-LIST. If VLANs already exist, the tagging of ports specified by the PORT-LIST is performed.

Use the [no] version of the command to remove the tagged PORT-LIST from a range of VLANs specified by the VLAN-ID-LIST. After command execution, CLI returns to the global configuration context.

Examples

```
config# vlan 2-15 tagged A1-A20
config# vlan 5,10,13-20,25 tagged A1-A5,L2,L5-L10
config# vlan 2-20 tagged all
config# no vlan 2-15 tagged A1-A5
config# no vlan 5,10,13-20 tagged A1-A5,L6
```

Applying a UDR

UDR can be used to assign user roles locally (that is, without RADIUS). LMA has been extended to allow applying a user role to a MAC address, MAC group, MAC mask, or MAC OUI.

aaa port-access local-mac apply user-role

Syntax

```
[no] aaa port-access local-mac apply user-role <Role-Name> [ mac-oui <MAC-OUI> |  
mac-mask <MAC-MASK> |mac-addr <MAC-ADDR> | mac-group <MAC-GROUP-NAME>]
```

Description

Apply user roles.

Options

mac-addr

To apply user role with MAC address.

mac-group

To apply user role with MAC group.

mac-mask

To apply user role with MAC Mask.

mac-oui

To apply user role with MAC OUI.

Usage

```
[no] aaa port-access local-mac apply user-role <MYUSERROLE> [mac-oui <MAC-OUI>]
```

```
[no] aaa port-access local-mac apply user-role <MYUSERROLE> [mac-mask <MAC-MASK>]
```

```
[no] aaa port-access local-mac apply user-role <MYUSERROLE> [mac-addr <MAC-ADDR>]
```

```
[no] aaa port-access local-mac apply user-role <MYUSERROLE> [mac-group <MAC-GROUP-NAME>]
```

VXLAN show commands

VXLAN show commands include commands to display the status of a VXLAN feature, tunnels, and tunnel statistics.

show captive-portal profile

Syntax

```
show captive-portal profile
```

Description

Show Captive Portal profile configuration.

show captive-portal profile

```
(config)# show captive-portal profile

Captive Portal Profile Configuration
  Name : use-radius-vsa
  Type  : predefined
  URL   :

  Name : myCaptivePortalProfile
  Type  : custom
  URL   : http://mycppm.local/guest/captive_portal_login.php
```

show user-role

Syntax

```
show user-role [<ROLE-NAME>] [detailed]
```

Description

Show users role configuration.

Options

<ROLE-NAME>

Show user roles by role-name.

<ROLE-NAME> detailed

Show user roles in detail by role-name.

show user-role

```
Switch# show user-role

User Roles

  Enabled      : <Yes/No>
  Initial Role : denyall

  Type         Name
  -----
  local        Employee
  local        Guest
  predefined    denyall
```

show user-role <ROLE-NAME>

```
Switch# show user-role captivePortalwithVSA

User Role Information

Name                : captivePortalwithVSA
Type                : local
Reauthentication Period (seconds) : 0
Untagged VLAN       : 610
```



```
Captive Portal Profile      : use-radius-vsa
Policy                     : cppolicy
```

show user-role detailed

The example shows how to configure user roles to use Clearpass as a Captive Portal. The Captive Portal URL is specified in a RADIUS VSA.

```
Switch# show user-role captivePortalwithVSA detailed
```

User Role Information

```
Name           : captivePortalwithVSA
Type           : local
Reauthentication Period (seconds) : 0
VLAN           : 610
Captive Portal Profile : use-radius-vsa
  URL          : (use RADIUS VSA)
  Policy       : cppolicy
```

Statements for policy "cppolicy"

```
policy user "cppolicy"
  10 class ipv4 "cppm" action permit
  20 class ipv4 "steal" action redirect captive-portal
  30 class ipv4 "other" action permit
exit
```

Statements for class IPv4 "cppm"

```
class ipv4 "cppm"
  10 match tcp 0.0.0.0 255.255.255.255 1.0.9.15 0.0.0.0 eq 80
  20 match tcp 0.0.0.0 255.255.255.255 1.0.9.15 0.0.0.0 eq 443
exit
```

Statements for class IPv4 "steal"

```
class ipv4 "steal"
  10 match tcp 0.0.0.0 255.255.255.255 0.0.0.0 255.255.255.255 eq 80
  20 match tcp 0.0.0.0 255.255.255.255 0.0.0.0 255.255.255.255 eq 443
exit
```

Statements for class IPv4 "other"

```
class ipv4 "other"
  10 match udp 0.0.0.0 255.255.255.255 0.0.0.0 255.255.255.255 eq 53
  20 match udp 0.0.0.0 255.255.255.255 0.0.0.0 255.255.255.255 eq 67
  30 match icmp 0.0.0.0 255.255.255.255 0.0.0.0 255.255.255.255
exit
```

show port-access clients

Syntax

```
show port-access clients [detailed]
```

Description

Use this command to display the status of active authentication sessions.

show port-access clients

Port Access Client Status

Port	Client Name	MAC Address	IP Address	User Role	Type	VLAN
------	-------------	-------------	------------	-----------	------	------

1/A18	001517581ec4	001517-581ec4	10.108.1.201	ixial	MAC	108
A7		000c29-5121fc	n/a	denyall	LOCAL	
A8		000c29-d12996	n/a	myrole	LOCAL	42

show port-access clients detailed

```
Switch (config)# show port-access clients detailed

Port Access Client Status Detail
Client Base Details :
  Port           : 1/A18           Authentication Type : mac-based
  Client Status  : authenticated   Session Time       : 11 seconds
  Client Name    : 001517581ec4    Session Timeout    : 60 seconds
  MAC Address    : 001517-581ec4
  IP             : 10.108.1.201

User Role Information
  Name           : ixial
  Type           : local
  Reauthentication Period (seconds) : 60
  Untagged VLAN  : 108
  Tagged VLANs   :
  Captive Portal Profile :
  Policy         : policyIxial

Statements for policy "policyIxial"
policy user "policyIxial"
  10 class ipv4 "classIxial" action rate-limit kbps 11000
  exit

Statements for class IPv4 "classIxial"
class ipv4 "classIxial"
  10 match ip 0.0.0.0 255.255.255.255 0.0.0.0 255.255.255.255
  exit
```

Per-user tunneled node

Aruba per-user tunneled node (PUTN) is similar to the MAS equivalent per-port tunneled node where all ingress traffic is tunneled through a specified switch port to a controller. Aruba PUTN gives ArubaOS-Switch the ability to tunnel traffic per client through Generic Routing Encapsulation (GRE) from an interface on a switch (tunneled-node-port) to an Aruba controller (tunneled-node-server).

Once PUTN is enabled, the Aruba controller provides a centralized security policy, authentication, and access-control. The decision to tunnel client traffic is based on the user-role. User-role authorizations are given permission to redirect traffic to an Aruba controller when the PUTN status is UP. A secondary role, provided by the authentication subsystem (DCA), when present in the user-role authorizations, notifies the PUTN and provides a secondary role.

PUTN, combined with CPPM/LMA policies, can be used to indicate per client whether that clients traffic is to be tunneled to a controller or forwarded locally.

For example when a PC Phone is deployed to a network, the administrator can use PUTN to route the PC traffic through additional security and allow the VoIP traffic to move freely through the wired network.

Flow

- Authenticate user.
- Apply user role to authenticated user.

- Redirect user traffic to controller
- Apply secondary user-role to user traffic on controller.

Limitations

- 1024 users with redirect policy per switch (or stack).
- 32 users supported per port.
- Tunneled and nontunneled users are not allowed to belong to same VLAN.
- Tunneled node is not supported on port-channel.

Tunneled node server prerequisites

Commands necessary to configure a tunneled node server for a tunneled node ArubaOS-switch:

- `switch(config)#tunneled-node-server`
- `switch(tunneled-node-server)# controller-ip <IP-ADDR>`
- **Optional:** `switch(tunneled-node-server)# backup-controller-ip <IP-ADDR>`
- **Optional:** `switch(tunneled-node-server)# keepalive interval <Integer>`
- `switch(tunneled-node-server)# mode role-based`
- `switch(tunneled-node-server)# enable`

These commands are available in detail in the ArubaOS-Switch Configuration Guide at <http://support.arubanetworks.com/>.



Per-port tunneled-node encapsulates incoming packets from end-hosts in GRE packets and forwards them to an Aruba Mobility Controller to be processed further. The Aruba Mobility Controller, upon receiving the GRE packets, strips the GRE header and further processes the packet for additional purposes such as authentication, stateful firewall, and others.

Cluster mode

If the controller is in a cluster mode, see the Mobility Master Configuration managed controller information in the ArubaOS-Switch User Guide at http://support.arubanetworks.com/?%3E%3C?xm-replace_text%20http://support.arubanetworks.com/?%3E

Note

PUTN works for Standalone Controller or with the Aruba 8.x controller cluster.

tunneled-node-server-redirect

Syntax

```
tunneled-node-server-redirect [secondary-role <ROLE-NAME>]
```

```
no tunneled-node-server-redirect [secondary-role <ROLE-NAME>]
```

Description

This command is used to instruct the switch to redirect traffic for a particular user to the user-based tunnel.

The `no` form of this command configures traffic redirect to the user-based tunnel. Secondary role is the new user role that will be applied to the tunneled traffic by the controller.

Command context

user-role

Parameters

secondary-role <ROLE-NAME>

Specifies the secondary role applied on the user traffic by the controller.

Example

User role configuration example on TN switch. The `tunneled-node-server-redirect` attribute instructs the switch to redirect all traffic with user-role "testrole" to the controller. The secondary-role "authenticated" specified with the `redirect` attribute should be configured and present on the controller. The switch sent VLAN (client VLAN) has to be present on the controller.

```
class ipv4 "testclass"
  10 match ip 0.0.0.0 255.255.255.255 0.0.0.0 255.255.255.255
  20 match tcp 0.0.0.0 255.255.255.255 0.0.0.0 255.255.255.255
  exit
policy user "testpolicy"
  10 class ipv4 "testclass" action permit
  exit
aaa authorization user-role name "testrole"
  policy "testpolicy"
  vlan-id 100
  tunneled-node-server-redirect secondary-role "authenticated"
  exit
```

Show the tunneled-node-server status for all users.

```
switch-PoEP# show tunneled-node-users all
```

PORT	MAC-ADDRESS	TUNNEL-STATUS	SECONDARY-USERROLE	FAILURE-REASON
1	000ffe-c8ce92	UP	authenticated	
5	082e5f-263518	UP	authenticated	

show user-role

Syntax

```
show user-role <role-name>
```

Description

Displays the user-role information for the specified user-role name.

Command context

manager or operator

Parameters

<role-name>

Specifies the user-role name.

Examples

Shows the user-role by specific name.

```
switch# show user-role XYZ

User Role Information

Name                : XYZ
Type                : local
Reauthentication Period (seconds) : 0
Untagged VLAN       :
Tagged VLAN         :
Captive Portal Profile :
Policy              :
Tunnelednode Server Redirect : Enabled
Secondary Role Name : ROLE NAME
```

show tunneled-node-server information

Syntax

```
show tunneled-node-server [information | statistics <controller> | state <controller>]
```

Description

Shows the tunneled-node-server information, statistics, or state.



Information for SAC and SSAC Switch Anchor Controller (SAC), Standby Anchor Controller (SSAC) and User Anchor Controller (UAC) is available in the ArubaOS-Switch Controller Guide at <https://support.arubanetworks.com/>.

Command context

manager or operator

Parameters

information

Specifies tunneled-node-server information, node-list, and the bucket map information.

statistics <controller>

Specifies the data plane statistics with respect to a controller for each port.

state <controller>

Specifies the data plane state with respect to a controller.

Example

Show the cluster, node-list, and the bucket map information.

```
Switch# show tunneled-node-server information

SAC Information

SAC : 121.34.211.90
Standby-SAC : 192.168.34.111

Node List Information
```

```
Cluster Name: abcd
Cluster Status: Enabled
Node List
10.1.1.1
10.1.1.2
10.1.1.3
```

Bucket Map Information

```
Bucket name: xyz
Bucket ID  A-UAC          S-UAC          Connectivity
0          10.1.1.1         10.1.1.2      L2
1          10.1.1.2         10.1.1.1      L2
2          10.1.1.3         10.1.1.4      L2
```

Example

Show the tunneled-node-server state. If the PUTN is active, the output of this command will change.

```
Switch# show tunneled-node-server state
```

Local Master Server (LMS) State

LMS Type	IP Address	State	Capability	Role
Primary	: 120.121.111.221	Complete	Per User	Operational Primary
Secondary	: 120.121.111.222	In Progress	Per User	Operational Secondary

Switch Anchor Controller (SAC) State

	IP Address	MAC Address	State
SAC	: 120.121.111.222	68b599-1e6200	Registered
Standby-SAC	: 120.121.111.221	68b599-1e6201	Registered

User Anchor Controller (UAC): 123.222.212.90

User	Port	VLAN	State	Bucket ID
68b599-1e6100	5	1000	Registering	2
68b599-1e6200	7	2000	Registered	7

User Anchor Controller (UAC): 123.222.212.70

User	Port	VLAN	State	Bucket ID
68b599-1e6300	15	800	Unregistering	3
68b599-1e6400	17	3000	Registered	9

Example

Show the users information with respect to a UAC. The output is displayed when per user tunneled node feature is active.

```
Switch# show tunneled-node-server state <UAC-IP>
```

User	Port	VLAN	State	Bucket ID
68b599-1e6300	15	800	Unregistering	3
68b599-1e6400	17	3000	Registered	9

Example

Show the tunneled-node-server statistics. The output of this command will not change if the PUTN is active.

```
Switch# show tunneled-node-server statistics
```

```
Tunneled Node Statistics
```

Control Plane Statistics

```
SAC : 123.234.122.222
Bootstrap Tx : 10
Nodelist Rx : 25
Bucketmap Rx : 21
Failover Tx : 4
Unbootstrap Tx : 7
Heartbeat Tx : 5
Bootstrap Rx : 10
Nodelist Ackd : 6
Bucketmap Ackd : 10
Failover Ack Rx : 3
Unbootstrap Ack Rx : 5
Heartbeat Rx : 3
```

```
Standby-SAC : 112.234.111.222
Bootstrap Tx : 10
Nodelist Rx : 25
Bucketmap Rx : 21
Failover Tx : 4
Unbootstrap Tx : 5
Heartbeat Tx : 7
Bootstrap Rx : 10
Nodelist Ackd : 6
Bucketmap Ackd : 12
Failover Ack Rx : 3
Unbootstrap Ack Rx : 3
Heartbeat Rx : 4
```

```
UAC : 101.111.231.222
Bootstrap Tx : 10
Unbootstrap Tx : 5
Keepalive Tx : 2
Bootstrap Ack : 5
Unbootstrap Ack : 5
Keepalive Ack : 2
```

```
UAC : 101.222.111.142
Bootstrap Tx : 5
Unbootstrap Tx : 0
Keepalive Tx : 0
Bootstrap Ack : 5
Unbootstrap Ack : 0
Keepalive Ack : 0
```

Data Plane Statistics

```
UAC          Packets Tx   Packets Rx
10.1.1.1     45678        23456
10.1.1.2     34567        23457
```

User Statistics

```
UAC          User Count
10.1.1.1     10
10.1.1.2     20
```

Example

Show the tunneled-node-server statistics of a data plane IP address. The output will be displayed when PUTN feature is active.

```
Switch# show tunneled-node-server statistics <UAC-IP>
```

```
Port      Packets Tx   Packets Rx
A1        45678        23456
A2        34567        23457
```

show tunneled-node-users

Syntax

```
show tunneled-node-users [all | count | down | mac <MAC-ADDRESS> | port <PORT-ADDR> | up ]
```

Description

Shows the status of a client after configuring and enabling tunneled-node-server-redirect.

Command context

manager or operator

Parameters

<ALL>

Specifies all clients and their status.

<COUNT>

Specifies the total number of clients configured to tunnel their traffic to the controller.

<DOWN>

Specifies the clients which are not able to tunnel their traffic.

PORT <PORT-ADDR>

Specifies the port client status.

MAC <MAC-ADDRESS>

Specifies the client status based on the MAC address desired by the user.

<UP>

Specifies the status of clients with tunnels up.

Example

Show tunneled-node-users information for all clients.

```
switch(user-role)# show tunneled-node-users all
```

PORT	MAC-ADDRESS	TUNNEL-STATUS	SECONDARY-USERROLE	FAILURE-REASON
123	XYZ123	UP	ROLE NAME1	
234	XYZ1234	DOWN	ROLE NAME2	UAC_DOWN

Example

Show the total number of clients configured with the user-based tunneled-node.

```
switch(user-role)# show tunneled-node-users count
```

Total number of clients configured with user-based tunneled node: <NUMBER>

Example

Show the port access client status in detail.

```
switch(user-role)# show tunneled-node-users port 1/7
```

PORT	MAC-ADDRESS	TUNNEL-STATUS	SECONDARY-USERROLE	FAILURE-REASON
1/7	d48564-940c46	UP	authenticated	

Example

Show the port access clients in detail.

```
switch# show port-access clients
```

Downloaded user roles are preceded by *

Port Access Client Status

Port	Client Name	MAC Address	IP Address	User Role	Type	VLAN
1/7	2c41387f35b9	2c4138-7f35b9	n/a	Voice_HP	MAC	171
1/7	d48564940c46	d48564-940c46	n/a	*DUR_prof2_PUT...	MAC	100
1/16	durl1	001517-857121	n/a	*DUR_prof2_PUT...	8021X	100
1/17	durl1	d48564-a8afa0	n/a	*DUR_prof2_PUT...	8021X	100
3/7	2c41387fe7f8	2c4138-7fe7f8	n/a	Voice_HP	MAC	171
3/7	e8393537b4a5	e83935-37b4a5	n/a	*DUR_prof2_PUT...	MAC	100

Example

Show the detailed port-access clients for port 1/7.

```
switch# show port-access clients detailed 1/7
```

Port Access Client Status Detail

Client Base Details :

```
Port : 1/7 Authentication Type : mac-based
Client Status : authenticated Session Time : 18972 seconds
Client Name : 2c41387f35b9 Session Timeout : 0 seconds
MAC Address : 2c4138-7f35b9
IP : n/a
```

Downloaded user roles are preceded by *

User Role Information

```
Name : Voice_HP
Type :
Reauthentication Period (seconds) : 0
Untagged VLAN : 171
Tagged VLANs :
Captive Portal Profile :
Policy :
Tunnelednode Server Redirect : Disabled
Secondary Role Name :
```

Client Base Details :

```
Port : 1/7 Authentication Type : mac-based
Client Status : authenticated Session Time : 18947 seconds
Client Name : d48564940c46 Session Timeout : 0 seconds
MAC Address : d48564-940c46
IP : n/a
```

Downloaded user roles are preceded by *

User Role Information

```
Name : *DUR_prof2_PUTN-3037-12
Type : downloaded
Reauthentication Period (seconds) : 0
Untagged VLAN : 100
Tagged VLANs :
Captive Portal Profile :
Policy : upol2_DUR_prof2_PUTN-3037-12
```

Statements for policy "upol2_DUR_prof2_PUTN-3037-12"

```
policy user "upol2_DUR_prof2_PUTN-3037-12"
```

```
10 class ipv4 "remark2_DUR_prof2_PUTN-3037-12" action rate-limit kbps 1000000 action priority 2 action permit
exit
```

Statements for class IPv4 "remark2_DUR_prof2_PUTN-3037-12"

```
class ipv4 "remark2_DUR_prof2_PUTN-3037-12"
```

```
10 match ip 0.0.0.0 255.255.255.255 0.0.0.0 255.255.255.255
exit
```

```
Tunnelednode Server Redirect : Enabled
Secondary Role Name : authenticated
```

ip source-interface tunneled-node-server

Syntax

```
switch(config)# ip source-interface tunneled-node-server
[<IP_ADDRESS> | loopback <LOOPBACK_INTERFACE> | vlan <VLAN_ID>]
```

Description

Defines source IP address or interface for specified protocol.



- If interface has multiple addresses, lowest address is used.
- Protocols not configured with a specific address will use the IP address of outbound interface as source.

Command context

```
ip source-interface
```

Parameters

<IP_ADDRESS>

Specifies IP address.

<LOOPBACK_INTERFACE>

Specifies a loopback interface.

<VLAN_ID>

Specifies VLAN ID.

Example

Running configuration:



Requires (config)#show run context:

```
; J9850A Configuration Editor; Created on release #KB.16.05.0000x
; Ver #12:08.1f.fb.7f.bf.bb.ff.7c.59.fc.7b.ff.ff.fc.ff.ff.3f.ef:f4
hostname "Anay5400R"
module A type j9989a
module B type j9986a
module C type j9989a
module D type j9986a
module E type j9986a
module F type j9986a
class ipv4 "testclass"
  10 match ip 0.0.0.0 255.255.255.255 0.0.0.0 255.255.255.255
  20 match tcp 0.0.0.0 255.255.255.255 0.0.0.0 255.255.255.255
  exit
policy user "testpolicy"
  10 class ipv4 "testclass" action permit
  exit
radius-server host 90.90.90.1
ip routing
ip source-interface tunneled-node-server loopback 1
tunneled-node-server
  controller-ip 21.1.1.2
  mode role-based
  exit
```

Using Downloadable User Roles with PUTN

This feature extends download ability of user roles to controller. Supported platforms: 3810, 5400R, 2930F and 2930M.

- There are two roles required when using Downloadable User Roles with PUTN:
 - Primary user role:** Configured on switch
 - Secondary user role:** Configured on controller
- Aruba network switches support Downloadable User Roles for primary roles present in the switch. Secondary roles present in the controller are manually configured on the controller.



This feature is only available for:

- CPPM Version 6.7.0 onward
- Aruba Controller Version 8.3.0 onward
 - To support Downloadable User Roles on controller, a new VSA (HP-CPPM-Secondary-Role) is introduced in CPPM 6.7.0, which contains the secondary user role name:

CPPM Sample Configuration

```
aaa authorization user-role name "<role-name>"
vlan-id<vlan id> tunneled-node-server-redirect VSA
```

Enforcement Profiles - 1_Rajshri_Switch_DUR

Summary	Profile	Attributes
Profile:		
Name:	1_Rajshri_Switch_DUR	
Description:	Rajshri's Switch DUR	
Type:	RADIUS	
Action:	Accept	
Device Group List:	-	
Product:	ArubaOS-Switch	
Attributes:		
Type	Name	Value
1. Radius:Hewlett-Packard-Enterprise	HPE-CPPM-Role	= aaa authorization user-role name "testcprole104" vlan-id 5 tunneled-node-server-redirect VSA exit
2. Radius:Hewlett-Packard-Enterprise	HPE-CPPM-Secondary-Role	= 1_Rajshri_Controller_DUR

Tagged VLAN for user role

Tagged VLAN for user-role supports the flow of tagged traffic. Once the client is authenticated and a user-role applied, tagged traffic is allowed to flow through a user-based tunnel.

vlan-id-tagged

Syntax

```
vlan-id-tagged [<VLAN-ID> | < VLAN-STR>]
```

```
no vlan-id-tagged [<VLAN-ID> | < VLAN-STR>]
```

Description

Supports tagged client traffic by directing the user-role. When the user-role is applied, tagged traffic is allowed to pass.

The `no` form of this command removes the [`<VLAN-ID> | < VLAN-STR>`] from the tagged VLAN ID.

Command context

user-role

Parameters

<VLAN-ID>

Specifies the tagged VLAN ID assigned to users.

<VLAN-STR>

Specifies the tagged VLAN name assigned to users.

Example

Show the user-role information for PUTN-emp.

```
switch-PoEP# show user-role PUTN-emp

User Role Information

Name                : PUTN-emp
Type                 : local
Reauthentication Period (seconds) : 0
Untagged VLAN       :
Tagged VLAN         : 11
Captive Portal Profile :
Policy               :
Tunnelednode Server Redirect : Enabled
Secondary Role Name : authenticated
```

user-role vlan-id

Syntax

```
vlan-id <VLAN-ID>
```

```
no vlan-id <VLAN-ID>
```

Description

Creates the VLAN within the `user-role` context.

The `no` form of this command removes the VLAN from the `user-role` context.

Command context

user-role

Parameters

<VLAN-ID>

Specifies the ID assigned to the VLAN for when the client is authenticated and the `user-role` applied.

Example

Show the detailed status of the clients port-access.

```
switch-PoEP# show port-access clients detailed
```

```
Port Access Client Status Detail
```

```
Client Base Details :
```

```
Port           : 1           Authentication Type : 802.1x
Client Status  : authenticated Session Time       : 58081 seconds
Client name    : emp4        Session Timeout    : 0 seconds
MAC Address    : 000ffe-c8ce92
IP             : n/a
```

```
User Role Information
```

```
Name           : PUTN-emp
Type           : local
Reauthentication Period (seconds) : 0
Untagged VLAN  :
Tagged VLANs   : 11
Captive Portal Profile :
Policy         :
Tunnelednode Server Redirect : Enabled
Secondary Role Name : authenticated
```

Downloadable user-roles

Downloadable user-role enables ArubaOS-Switches to download user-roles, policy, and class from the Clear Pass Policy Manager (CPPM) server. The download facilitates the setup of policies and attributes for a specific user-role which can then be stored on the switch. New users can be configured and assigned the same stored version of the user-role in ClearPass, saving the administrator time reconfiguring each user individually.

- The command `radius-server cppm identity <IDENTITY> key <KEY>` can only be used if the user role is going to be downloaded from the CPPM server.
- See commands `radius-server host <server-ip>` and `radius-server key <key-string>`.

aaa authorization user-role enable download

Syntax

```
aaa authorization user-role enable download
```

```
no aaa authorization user-role enable download
```

Description

Enables the downloadable user-role.

The `no` form of this command disables the downloadable user-role in ArubaOS-Switches.

Command context

config

Parameters

download

Enables the switch to download the user role from a CPPM server.

Warning

The command `no aaa authorization user-role enable` disables both the user-role and the downloadable user-role.

Usage

A CPPM user name and password must be configured for download user-role to work.

Example

Download the user role from a CPPM server.

```
switch(config)# aaa authorization user-role enable download
```

Some legacy secure client access functionality is not supported when user roles are enabled. Please refer to the end user documentation for details.

CPPM user name and password must be configured for downloading the user role.
CPPM HTTPS root certificate must be installed for downloading the user role.

radius-server cppm identity

Syntax

```
radius-server cppm identity <IDENTITY> key <KEY>
```

```
no radius-server cppm identity <IDENTITY>
```

Description

User name and logon password combination of the CPPM allows access to the download user-roles.

The `no` form of the command removes the user name and password combination from CPPM.

Command context

user-role

Parameters

<IDENTITY>

Specifies the user name of the CPPM.

<KEY>

Specifies the password of the CPPM user.

Example

Set the password key for the CPPM user.

```
switch(config)# radius-server cppm identity admin key xxxxxxxx
```

downloadable-role-delete

Syntax

```
downloadable-role-delete <USER-ROLE-NAME>
```

Description

Deletes the downloaded user-role, the associated class, and policy information from the user-role.

Command context

manager

Parameters

<USER-ROLE-NAME>

Specifies the user-role name to be deleted.

Example

Delete the user-role for the user DUR_prof2_PUTN-3037-12.

```
switch(config)# downloadable-role-delete DUR_prof2_PUTN-3037-12
```

show user-role <XYZ>

Syntax

```
show user-role <XYZ> [detailed | downloaded]
```

Description

Shows the named user-role in either detail or downloaded information.

Command context

operator or manager

Parameters

<detailed>

Specifies the downloaded user-role in detail.

<downloaded>

Specifies the downloaded user-role.

Example

Show the download information for user-role XYZ.

```
Switch(config)# show user-role XYZ downloaded
```

```
User Role Information
```

```
Name : XYZ
Type : Downloaded
Reauthentication Period (seconds) : 0
Untagged VLAN :
Tagged VLAN :
```

```
Captive Portal Profile      :
Policy                     :
Tunnelednode Server Redirect : Enabled
Secondary Role Name       : ROLE NAME
```

show port-access clients

Syntax

```
show port-access clients [ethernet <PORT-LIST> |<PORT>| detailed]
[ethernet] PORT-LIST  Show information for specified ports only.
detailed              Show detailed client authentication status.
```

Description

Shows the general port-access status information for clients by detailed status information for a specified port, list of ports or ethernet.

Command context

operator or config

Parameters

ethernet <PORT-LIST>

Specifies the detailed port-access information by a list of ethernet ports.

detailed

Specifies the detailed port-access information for all.

<PORT>

Specifies the detailed port-access information for a client by port name.

Example

Show the port access status of a client.

```
switch# show port-access clients
```

```
Downloaded user roles are preceded by *
Port Access Client Status
```

Port	Client Name	MAC Address	IP Address	User Role	Type	VLAN
1/7	2c41387f35b9	2c4138-7f35b9	n/a	Voice_HP	MAC	171
1/7	d48564940c46	d48564-940c46	n/a	*DUR_prof2_PUT...	MAC	100
1/16	dur1	001517-857121	n/a	*DUR_prof2_PUT...	8021X	100
1/17	dur1	d48564-a8afa0	n/a	*DUR_prof2_PUT...	8021X	100
3/7	2c41387fe7f8	2c4138-7fe7f8	n/a	Voice_HP	MAC	171
3/7	e8393537b4a5	e83935-37b4a5	n/a	*DUR_prof2_PUT...	MAC	100

Example

Show the detailed port-access for clients.

```
switch# show port-access clients detailed 1/7
```

```
Port Access Client Status Detail
```

```
Client Base Details :
Port                : 1/7                Authentication Type : mac-based
```



```

Client Status      : authenticated      Session Time       : 22203 seconds
Client Name       : 2c41387f35b9       Session Timeout    : 0 seconds
MAC Address       : 2c4138-7f35b9
IP                : n/a

```

Downloaded user roles are preceded by *
User Role Information

```

Name              : Voice_HP
Type              :
Reauthentication Period (seconds) : 0
Untagged VLAN     : 171
Tagged VLANs      :
Captive Portal Profile :
Policy            :
Tunnelednode Server Redirect : Disabled
Secondary Role Name :

```

Client Base Details :

```

Port              : 1/7                Authentication Type : mac-based
Client Status     : authenticated      Session Time       : 1259 seconds
Client Name       : d48564940c46       Session Timeout    : 0 seconds
MAC Address       : d48564-940c46
IP                : n/a

```

Downloaded user roles are preceded by *
User Role Information

```

Name              : *DUR_prof2_PUTN-3037-12
Type              : downloaded
Reauthentication Period (seconds) : 0
Untagged VLAN     : 100
Tagged VLANs      :
Captive Portal Profile :
Policy            : upol2_DUR_prof2_PUTN-3037-12

```

Statements for policy "upol2_DUR_prof2_PUTN-3037-12"

```

policy user "upol2_DUR_prof2_PUTN-3037-12"
  10 class ipv4 "remark2_DUR_prof2_PUTN-3037-12" action rate-limit kbps 1000000 action priority 2 action permit
  exit

```

Statements for class IPv4 "remark2_DUR_prof2_PUTN-3037-12"

```

class ipv4 "remark2_DUR_prof2_PUTN-3037-12"
  10 match ip 0.0.0.0 255.255.255.255 0.0.0.0 255.255.255.255
  exit

```

```

Tunnelednode Server Redirect : Enabled
Secondary Role Name          : authenticated

```

debug usertn

Syntax

```
debug usertn
```

Description

Enables the debug for the user tunneled node.

Command context

```
manager
```

Example

Debug session for the user tunneled node.

```

0007:23:11:47.44 TNT mtnodeUserCtrl:userTNodeProcAddUserReq User Add for num clients: 1
0007:23:11:47.54 TNT mtnodeUserCtrl:AMM: Sync user add
0007:23:11:47.60 TNT mtnodeUserCtrl:Bucket 148 initialized
0007:23:11:47.68 TNT mtnodeUserCtrl:userTNodeDecapReserveResource: reservetgTcam
    0 reserve 1 port's uitgReserveCnt: 0 uac->uitgReserve:0

0007:23:11:47.83 TNT mtnodeUserCtrl:1664a8c0 uac->uitgReserve ZERO reserve 1

0007:23:11:47.92 TNT mtnodeUserCtrl:Entering userTNodeTCAMDecapReserveResources

```

```
0007:23:11:48.07 TNT mtnodeUserCtrl:userTNodeDecapReserveResource: reservetgTcam
  0 reserve 1 port's uitgReserveCnt: 0 uac->uitgReserve:0
0007:23:11:48.22 TNT mtnodeUserCtrl:1564a8c0 uac->uitgReserve ZERO reserve 1
0007:23:11:48.30 TNT mtnodeUserCtrl:Entering userTNodeTCAMDecapReserveResources
0007:23:11:48.45 TNT mtnodeUserCtrl:User 000ffe-c8ce92 added to tree
0007:23:11:48.52 TNT mtnodeUserCtrl:UAC Bootstrap to node: 192.168.100.22
0007:23:11:48.60 TNT mtnodeUserCtrl:userTNodeSendUACBStrapReq: Packet Sent Successfully
0007:23:11:48.70 TNT mtnodeUserCtrl:User 000ffe-c8ce92 bootstrapping
0007:23:11:48.82 TNT mtnodeUserCtrl:create tunnel: 1 port 1664a8c0 uac 0 ifindex 0 count
0007:23:11:48.91 TNT mtnodeUserCtrl:AMM: Active Sync State uac ifindex:
  318767788 port: 1 cluster: 0 uac: 1
0007:23:11:49.03 TNT mtnodeUserCtrl:create tunnel: 1 port 1564a8c0 uac 0 ifindex 0 count
0007:23:11:49.17 TNT mtnodeUserCtrl:AMM: Active Sync State uac ifindex:
  318767789 port: 1 cluster: 0 uac: 0
0007:23:11:49.29 TNT mtnodeUserCtrl:User 000ffe-c8ce92 tunneling to 318767788
0007:23:11:49.37 TNT mtnodeUserCtrl:AMM: Sync papi payload from the controller event
```

Overview

The Port QoS Trust feature restricts which packet QoS information may be used to determine inbound queue servicing and any priority information to be permitted into the local hop.

Port QoS Trust Mode configuration allows preservation or removal of the inbound QoS priorities carried in Layer 2 (the VLAN cos or Priority CodePoint (PCP) value, known as the 802.1p priority tag) and/or in Layer 3 (the IP-ToS byte, in IP-Precedence or IP-Diffserv mode). The different modes let the customer trust all, some, or no packet priority fields.

The per-port configuration enables the customer to trust some sources or devices and not others. This feature is mutually exclusive with any active port-priority configuration.

Configuration commands

qos trust

Syntax

```
qos trust [default|dot1p|dscp|ip-prec|none|device [none|<DEVICE-TYPE>]]
```

Description

Set the QoS Trust Mode configuration for the port.

Options

default

Trust 802.1p priority and preserve DSCP or IP-ToS.

device <DEVICE-TYPE>

On approved devices, trust IP-ToS Differentiated-Services in IP packets, and use the DSCP-MAP to remark the 802.1p priority. If the DSCP codepoint does not have an associated priority, the priority will be remarked to 0. On unapproved devices, trust 802.1p priority and preserve any IP- ToS values.

dot1p

Trust 802.1p priority and preserve DSCP or IP-ToS.

dscp

Trust IP-ToS Differentiated-Services in IP packets, and use the DSCP-MAP to remark the 802.1p priority. If the DSCP codepoint does not have an associated 802.1p priority, the priority will be remarked to 0.

ip-precedence

Trust IP-ToS IP-Precedence mode in IP packets and remark the 802.1p priority.

none

Do not trust either the 802.1p priority or the IP-ToS values.

QoS trust devices

aruba-ap

Aruba Access point device.

none

Clear all trusted devices from port.



Both SNMP and the CLI will verify that the current QoS Port Priority and desired QoS Trust Mode configuration are not mutually exclusive (and conversely).

qos dscp-map

Syntax

```
qos dscp-map <CODEPOINT> priority <PRIORITY> [name <NAME> | default | legacy]
```

Description

Modifies DSCP mapping.

Options

default

Returns switch to the fully mapped factory-default configuration.

legacy

Restore the legacy default behavior (partial mapping) used in earlier code releases.

Show commands

show qos trust

Syntax

```
show qos trust [device] <PORT>
```

Description

Shows port-based QoS trust configuration

Options

device

Show list of trusted devices per-port.

<port>

Show trusted devices on a single port.

Usage

```
show qos trust [device | [ethernet <PORT-LIST> ]
```

show qos trust

```
switch# show qos trust
```

Port-based qos Trust Configuration

```
Port      Trust Mode   | Device Trust State ---- --- ----
A1        Default    |
A2        Default    |
A3        Device**  | Trusted
A4        IP-Prec   |
A5        Dot1p    |
A5        None      |
A5        DSCP      |
A5        Device**  |
A5        Dot1p    |
```

** For a list of trusted devices per-port, use the command `show qos trust device`. To show trusted devices on a single port, use the command `show qos trust device <PORT>`.

show qos trust device

```
switch# show qos trust device
```

Port-Based QoS Trust Configuration

```
Port      Trusted Devices
-----
A1        aruba-ap
A2        aruba-ap
A4        aruba-ap
```

show qos trust device <PORT>

```
switch# show qos trust device <PORT>
```

Port A4 QoS Trust Configuration

```
Current state: Trusted
```

```
Trusted Devices: aruba-ap
```

Validation rules

Validation	Error/Warning/Prompt
<code>qos trust</code> <UNSUPPORTEDDEVICETYPE>	Invalid input: %s
<code>no qos trust <ANYVALUE></code>	Invalid command. To disable trust for a port, use <code>qos trust none</code> . To return to the default configuration and leave priority information unchanged, use <code>qos trust default</code> .
QoS priority when trust mode is anything other than <NONE> or <DEFAULT>.	The port QoS trust mode must be <DEFAULT> or <NONE> to configure the QoS port priority feature.

Table Continued

Validation	Error/Warning/Prompt
QoS DSCP when trust mode is anything other than <code><NONE></code> or <code><DEFAULT></code> .	The port QoS trust mode must be <code><DEFAULT></code> or <code><NONE></code> to configure the QoS port priority feature.
<code>QoS trust dot1.p</code> when any port QoS priority is enabled.	The port QoS priority feature must be disabled before configuring this port QoS trust mode.
QoS trust ip-prec when any port QoS priority is enabled.	The port QoS priority feature must be disabled before configuring this port QoS trust mode.
QoS trust DSCP when any port QoS priority is enabled.	The port QoS priority feature must be disabled before configuring this port QoS trust mode.
QoS trust device when any port QoS priority is enabled.	The port QoS priority feature must be disabled before configuring this port QoS trust mode.

Overview

The tunneled node feature encapsulates incoming packets from end-hosts in Generic Routing Encapsulation (GRE) and forwards them to a Mobility Controller for additional processing. The Mobility Controller strips the GRE header and processes the packet for authentication and stateful firewall, which enables centralized security policy, authentication, and access control.

The tunneled node feature is enabled on a per-port basis. Any traffic coming from nontunneled node interfaces is forwarded without being tunneled to a Mobility Controller.

Operating notes

- Tunneled node profile may be created using CLI and SNMP.
- The tunneled node profile supports configuring of:
 - Primary controller (IPv4 only).
 - Backup controller (IPv4 only).
 - Heartbeat keepalive timeout – range 1-8 seconds.
- Only one tunneled node profile may be created.
- The tunneled-node profile may be applied to a physical port only via CLI and SNMP.
- The configuration related to the tunneled node profile will be stored in the flash and restored after a boot.
- High availability (HA) will be supported for the tunneled-node related configuration.
- A tunnel, associated with a port, is “up” when both conditions are met. A tunnel is “down” when either of the conditions are not met.
 - Either the primary or backup controller is reachable.
 - A boot strap message response is received from the controller.
- Heartbeat between the switch and controller has failed when the controller does not respond after five attempts. All tunnels are brought down with a heartbeat failure.
- A tunnel “up or down” status will be logged for each tunnel node port in the event log.
- The `show tech` command dumps all user-mode and test-mode command outputs.
- To reach the Aruba controller, the VLAN must have a manual IP configured.
- With the exception of the 802.1x BPDU, the switch consumes all other BPDUs.

Protocol Application Programming Interface (PAPI)

The PAPI Enhanced Security configuration provides protection to Aruba devices, AirWave, and ALE against malicious users sending fake messages that results in security challenges.

Starting from ArubaOS-Switch version 16.02, a minor security enhancement has been made to Protocol Application Programming Interface (PAPI) messages. Protocol Application Programming Interface endpoint authenticates the sender by performing a check of the incoming messages using MD5 (hash). All PAPI endpoints — APs, Controllers, Mobility Access Switches, Airwave, and ALE — must use the same secret key. The switch software currently uses a fixed key to calculate the MD5 digest and cooperate with the controller for PAPI enhanced security.



To use this functionality, the PAPI security profile must be configured on the controller. For more information on the Aruba controller, see the [Aruba Networks Controller Configuration Manual](#).

Configuration commands

tunneled-node-server

Syntax

```
tunneled-node-server [controller-ip <IP-ADDR> | backup-controller-ip  
<IP-ADDR> | [keepalive <TIMEOUT>] | enable | fallback-local-switching]
```

```
no tunneled-node-server [controller-ip <IP-ADDR> | backup-controller-ip  
<IP-ADDR> | [keepalive <TIMEOUT>] | enable | fallback-local-switching]
```

Description

Configure tunneled node server information.

The no form of the command removes the tunneled node server configuration.

Options

controller-IP

Configure the controller IP address for the tunneled node.

backup-controller-IP

Configure the backup controller IP address for the tunneled node.

keepalive

Configure the keepalive timeout for the tunneled node in seconds [1-40]. The default is 8 seconds.

enable

Enter the manager command context.

fallback-local-switching

Apply fallback option when communication with the controller fails. When the tunneled node is applied to a port and the tunnel cannot be established with the controller, the fallback-local-switching option allows port traffic to be switched locally. When the option fallback-local-switching is not specified, the port traffic is dropped when the tunnel reestablishment fails.

Usage

```
switch(config)# tunneled-node-server controller-ip 15.255.133.148  
switch(config)# tunneled-node-server backup-controller-ip 15.255.133.148  
switch(config)# tunneled-node-server keepalive 40  
switch(config)# tunneled-node-server fallback-local-switching
```


interface tunneled-node-server

Syntax

```
interface <PORT> tunneled-node-server  
  
no interface <PORT> tunneled-node-server
```

Description

Enable tunneled node on a port.

The `no` command disables the tunneled node on the port.

controller-ip

From within the **tunneled-node-profile** context:

Syntax

```
[no] controller-ip <IP-ADDR>
```

Description

Configure the Controller IP address for the tunneled node.

Usage

```
[no] controller-ip <IP-ADDR>
```

controller-ip

Configure the Controller IP address for the tunneled node.

keepalive

From within the **tunneled-node** context:

Syntax

```
[no] keepalive <TIMEOUT>
```

Description

Configure the keepalive timeout for the tunneled node in seconds.

Keepalive timeout seconds [1-40].

Default: 8 seconds.

Options

keepalive

Configure the keepalive timeout for the tunneled node in seconds.

backup-controller-ip

From within the **tunneled-node-profile** context:

Syntax

```
[no] backup-controller-ip <IP-ADDR>
```

Description

Configure the backup controller IP address for the tunneled node.

Options

backup-controller-ip

Configure the backup controller IP address for the tunneled node.

Usage

```
[no] backup-controller-ip <IP-ADDR>
```

fallback-local-switching

From within the **interface** context:

Syntax

```
fallback-local-switching
```

Description

To switch traffic locally upon losing connectivity to the controller, you must configure the fallback option before connectivity fails. When the tunneled node is applied to a port and the tunnel cannot be established with the controller, the fallback-local-switching option allows port traffic to be switched locally. When the option fallback-local-switching is not specified, the port traffic is dropped when the tunnel reestablishment fails.

VLAN show commands

VLAN show commands display information about configured VLANs.

show tunneled-node-server

Syntax

```
show tunneled-node-server [state | statistics]
```

Description

Display switch operation information.

Options

state

Display the tunneled node port state.

statistics

Display the tunneled node statistics.

show tunneled-node-server state

```
Tunneled node Port State
Active Controller IP Address :
Port      State
-----  -
2         Port down
```

show tunneled-node-server statistics

```
Tunneled node Statistics

Port : 2

Control Plane Statistics
  Bootstrap packets sent      : 0
  Bootstrap packets received  : 0
  Bootstrap packets invalid   : 0

Tunnel Statistics
  Rx Packets                   : 0
  Tx Packets                   : 0
  Rx 5 Minute Weighted Average Rate (Pkts/sec) : 0
  Tx 5 Minute Weighted Average Rate (Pkts/sec) : 0

Aggregate Statistics
  Heartbeat packets sent      : 0
  Heartbeat packets received  : 0
  Heartbeat packets invalid   : 0
  Fragmented Packets Dropped (Rx) : 0
  Packets to Non-Existent Tunnel : 0
  MTU Violation Drop         : 0
```

clear statistics tunneled-node-server

Syntax

```
clear statistics tunneled-node-server
```

Description

Clear statistics from the tunneled node server.

Interaction table

Features enabled with tunneled node:

Feature
Mirrors (MAC, VLAN, port)
PVST/RPVST/STP
DLDP
UDLD
LLDP/CDP
GVRP/MVRP
LACP
UFD

Table Continued

Feature
Sflow
Loop protect
Smartlink
Global QoS (VLAN, port, rate limit)
Mac lockout/lockdown
ACL/Classifiers (ingress/egress)
IGMP/MLD
GMB
Broadcast-limit
energy-efficient-Ethernet
flow-control
power-over-ethernet
<ul style="list-style-type: none"> • poe-allocate-by • poe-lldp-detect
Rogue Mac detection
LLDP auto-provisioning

Restrictions

- Once a tunneled-node profile is applied to a port, the controller IP (primary and backup) cannot be changed.
- IP address cannot be assigned to VLANs that the tunnel-node port belongs to.
- No support for fragmentation and reassembly for encapsulated frames that result in an MTU violation. Such frames will be dropped. HPE recommends configuring the switch-controller path for Jumbo MTU. No support for PMTU detection for tunnel traffic.
- The packets from nontunneled node ports (in the same VLAN as tunnel-node port) will not be bridged to the tunneled-node ports and conversely.

Features not allowed on a tunneled node port/VLAN with tunneled node ports/globally:

Feature	Blocked globally/per port/ VLAN with tunneled-node-ports
IP multicast routing	Global
Openflow	Global
Q-in-Q	Global
Distributed Trunking	Global
Mesh	Global
VXLAN	Global
IP address: manual and dhcp	VLAN
802.1x, mac auth, webauth, LMA, port security	port
DIPLD (IPv4/IPv6)	port
DSNOOP (IPv4/IPv6)	VLAN
ARP protect	VLAN
RA guard	port
Virus throttling	port
BYOD	VLAN
Trunk	Profile cannot be applied to a trunk
PBR policies	VLAN
Tunneled-node port	port
Src port/Mcast filters	port
DHCP client/Server/Relay	VLAN

PAPI security

Protocol Application Programming Interface (PAPI)

The PAPI Enhanced Security configuration provides protection to Aruba devices, AirWave, and ALE against malicious users sending fake messages that results in security challenges.

Starting from ArubaOS-Switch version 16.02, a minor security enhancement has been made to Protocol Application Programming Interface (PAPI) messages. Protocol Application Programming Interface endpoint authenticates the sender by performing a check of the incoming messages using MD5 (hash). All PAPI endpoints — APs, Controllers, Mobility Access Switches, AirWave, and ALE — must use the same secret key. The switch software currently uses a fixed key to calculate the MD5 digest and cooperate with the controller for PAPI enhanced security.



To use this functionality, the PAPI security profile must be configured on the controller. For more information on the Aruba controller, see the [Aruba Networks Controller Configuration Manual](#).

PAPI configurable secret key

To support enhanced PAPI security, a command is available to configure a MD5 secret key.

papi-security

Syntax

```
switch# (config) papi-security
```

Description

Configure MD5 key for enhanced PAPI security.

Parameters

enhanced-security

The enhanced-security CLI must be enabled in Aruba controller for the connection to be truly secured.

<KEY-STR>

Configure MD5 key for enhanced PAPI security using a key-string parameter.

<KEY-VALUE>

Configure MD5 key for enhanced papi security using a key-value parameter.

Restrictions

- To view the status of the PAPI security, using the `show run` command with the option `include credentials` enabled, the PAPI security key will show in the output as an encrypted form.
- Key length has to be between 10-64.
- By default the enhanced-security is disabled.
- When enhanced-security mode is disabled, any AP can obtain the current shared secret key.
- When enhanced-security mode is enabled, an AP is not updated with the new shared secret key unless the AP knows the previous key and the AP is updated with the new key within one hour of the key creation.
- Key length has to be between 10-64 or the following message will appear:

```
Minimum key-value length allowed is 10 characters and maximum allowed is 64 characters.
```

Usage

```
Switch(config)# papi-security key-value <KEY-VALUE>  
Switch(config)# [no] papi-security <KEY-VALUE>
```

papi-security key-value

```
HP-2920-24G(config)# papi-security key-value TestKey12345678  
HP-2920-24G(config)# no papi-security key-value
```

```
HP-2920-24G(config)# papi-security key-value Test
Minimum key-value length allowed is 10 characters and maximum allowed is 64 characters.
```

show run with encrypted key

```
Switch(config)# sh run
Running configuration:
;J9576A Configuration Editor
;Created on release #KA.16.02.0000x
;Ver #0e:01.f0.92.34.5f.3c.6b.fb.ff.fd.ff.ff.3f.ef:78
;encrypt-cred +NXT3w7ky2IXNXadlJblS/1ZRi/o73Qq28XXcLkSCZq9PU30Kl+KMLMva8rQri5g

hostname "HP-3810-48G-4SFPP"
module 1 type j9576y
module 2 type j9576x
encrypt-credentials
papi-security encrypted-key <"encrypted-key">
snmp-server community "public" unrestricted
snmpv3 engineid "00:00:00:0b:00:00:50:65:f3:b4:a6:c0"
oobm
ip address dhcp-bootp
exit

vlan 1
name "DEFAULT_VLAN"
untagged 1-52
ip address dhcp-bootp
exit

activate provision disable
```

show run with include key

```
show run
Running configuration:
; J9576A Configuration Editor
; Created on release #KA.16.02.0000x
; Ver#0e:01.f0.92.34.5f.3c.6b.fb.ff.fd.ff.ff.3f.ef:78

hostname "HP-3810-48G-4SFPP"
module 1 type j9576y
module 2 type j9576x
include-credentials
papi-security key-value <"key">
snmp-server community "public" unrestricted
snmpv3 engineid "00:00:00:0b:00:00:50:65:f3:b4:a6:c0"
oobm
ip address dhcp-bootp
exit

vlan 1
name "DEFAULT_VLAN"
untagged 1-52
ip address dhcp-bootp
exit

activate provision disable
```

Preventing double tunneling of Aruba Access Points

When an Aruba Access Point (AP) is connected to a port on which per-port tunneled node is configured, there are two tunnels from that port to the Controller - one for the AP and another for the tunneled node. To improve performance of APs connected to tunneled node ports, the following configuration parameter under the device profile feature prevents double tunneling.

The parameter decides whether to allow or not, a tunneled node to be configured on the port on which the device-profile is applied. Use the command `switch(config)# device-profile name <device-profile-name> [no] allow-tunneled-node`.



The default setting of `device-profile` allows tunneled node. Device profile is applied on the port only by reading Organizational Specific TLV in LLDP packets.

Preventing double tunneling using device profile parameter

device-profile name

Syntax

```
device-profile name <device-profile-name> [no] allow-tunneled-node
```

Description

Allows or disallows tunneled node when device profile is applied on that port.

Command context

```
config
```

Parameter

<device-profile-name>

Specifies the name of the device profile to be configured.

Usage

To create a device-profile named “test”, execute the following command:

```
switch(config)# device-profile name test
```

To allow tunneled-node by the configured device profile parameter, execute the following command:

```
switch(device-profile)# allow-tunneled-node
```

Examples

```
switch(config)# device-profile name <device-profile-name>
switch(device-profile)#
allow-jumbo-frames      Configure jumbo frame support for the device port.
allow-tunneled-node    Configure Tunneled Node support for the device port.
cos                     Configure the Class of Service (CoS) priority for
                        traffic from the device.
egress-bandwidth        Configure egress maximum bandwidth for the device port.
ingress-bandwidth      Configure ingress maximum bandwidth for the device
                        port.
poe-max-power           Configure the maximum PoE power for the device port.
poe-priority            Configure the PoE priority for the device port.
speed-duplex            Configure the speed and duplex for the device port.
tagged-vlan             Configure this port as a tagged member of the specified
```


untagged-vlan	VLANs. Configure this port as an untagged member of specified VLAN.
---------------	--

Execute `show run` command to display the tunneled mode configuration in an enabled or disabled state:

```
switch(config)# show run
; J9625A Configuration Editor; Created on release #KB.16.05.0000x
; Ver #0f:02.43.18.82.34.61.1c.28.f3.84.9c.63.ff.37.2f:da
hostname "switch"
snmp-server community "public" unrestricted
device-identity name "cpe" lldp oui 33bbcc
device-identity name "cpe" lldp sub-type 1
device-identity name "phone" lldp oui 112233

vlan 1
  name "DEFAULT_VLAN"
  untagged 1-28
  ip address dhcp-bootp
  exit
device-profile name "ram"
  exit
device-profile name "test"
  exit
device-profile type "scs-wan-cpe"
  associate "ram"
  enable
  exit
device-profile type-device "cpe"
  associate "ram"
  enable
  exit
device-profile type-device "phone"
  associate "default-device-profile"
  exit
```

When `allow-tunneled-node` is disabled:

```
switch(config)# show run
; J9625A Configuration Editor; Created on release #KB.16.05.0000x
; Ver #0f:02.43.18.82.34.61.1c.28.f3.84.9c.63.ff.37.2f:da
hostname "switch"
snmp-server community "public" unrestricted
device-identity name "cpe" lldp oui 33bbcc
device-identity name "cpe" lldp sub-type 1
device-identity name "phone" lldp oui 112233

vlan 1
  name "DEFAULT_VLAN"
  untagged 1-28
  ip address dhcp-bootp
  exit
device-profile name "ram"
  exit
device-profile name "test"
  no allow-tunneled-node
  exit
device-profile type "scs-wan-cpe"
  associate "ram"
  enable
  exit
device-profile type-device "cpe"
  associate "ram"
  enable
```

```
exit
device-profile type-device "phone"
  associate "default-device-profile"
exit
```

show device-profile config

Syntax

```
show device-profile config
```

Description

Displays device profile configuration.

Command context

```
config
```

Usage

To verify whether tunneled-node is allowed (when “test” is device-profile name):

```
switch(device-profile)# show device-profile config test
```

To verify the output when tunneled-node is disabled:

```
switch(device-profile)# no allow-tunneled-node
switch(device-profile)# show device-profile config test
```

Example

```
switch(config)# show device-profile config
Device Profile Configuration

Configuration for device-profile : default-ap-profile
untagged-vlan      : 1
tagged-vlan        : None
ingress-bandwidth  : 100%
egress-bandwidth   : 100%
cos                : 0
speed-duplex       : auto
poe-max-power      : Class/LLDP
poe-priority       : critical
allow-jumbo-frames : Disabled
allow-tunneled-node: Enabled

Device Profile Configuration

Configuration for device-profile : test
untagged-vlan      : 1
tagged-vlan        : None
ingress-bandwidth  : 100%
egress-bandwidth   : 100%
cos                : None
speed-duplex       : auto
poe-max-power      : Class/LLDP
poe-priority       : critical
allow-jumbo-frames : Disabled
allow-tunneled-node: Enabled
```

When tunneled-node is disabled:

```
switch(config)# show device-profile config
Device Profile Configuration

Configuration for device-profile : default-ap-profile
untagged-vlan      : 1
tagged-vlan        : None
ingress-bandwidth  : 100%
egress-bandwidth   : 100%
cos                : 0
speed-duplex       : auto
poe-max-power      : Class/LLDP
poe-priority       : critical
allow-jumbo-frames : Disabled
allow-tunneled-node: Disabled

Device Profile Configuration

Configuration for device-profile : test
untagged-vlan      : 1
tagged-vlan        : None
ingress-bandwidth  : 100%
egress-bandwidth   : 100%
cos                : None
speed-duplex       : auto
poe-max-power      : Class/LLDP
poe-priority       : critical
allow-jumbo-frames : Disabled
allow-tunneled-node: Disabled
```

The Time Domain Reflectometry (TDR) is a port feature supported on some switches running ArubaOS-Switch software. TDR is used to detect cable faults on 100BASE-TX and 1000BASE-T ports.

Virtual cable testing

The Virtual Cable Test (VCT) uses the same command as TDR. It is applicable only for GigT transceivers like copper transceiver (J8177C–ProCurve Gigabit 1000Base-T Mini-GBIC). The VCT test results include distance to the fault, but not the cable length.

Test cable-diagnostics

Syntax

```
test cable-diagnostics <PORT-LIST>
```

Description

Use the command to test for cable faults.

Option

PORT-LIST

Specify copper port as a input port number.

Test cable-diagnostics C21

```
test cable-diagnostics C21
```

The 'test cable-diagnostics' command will cause a loss of link and will take a few seconds per interface to complete. Continue [Y/N]? y

MDI Port	Pair	Cable Status	Distance to Fault	Pair Skew	Pair Polarity	MDI Mode
C21	1-2	Open	0 m	0 ns		
	3-6	Open	0 m	0 ns		
	4-5	Open	0 m	0 ns		
	7-8	Open	1 m	0 ns		

Test cable-diagnostics 1/1-1/10

```
switch# test cable-diagnostics 1/1-1/10
```

This command will cause a loss of link on all tested ports and will take several seconds per port to complete. Use the 'show cable-diagnostics' command to view the results.

Continue (y/n)? Y

```
switch# show cable-diagnostics 1/1-1/10
```

Cable Diagnostic Status - Copper Ports

MDI	Cable	Cable Length or
-----	-------	-----------------

Port	Pair	Status	Distance to Fault
1/1	1-2	OK	5m
	3-6	OK	5m
	4-5	OK	7m
	7-8	OK	7m
1/2	1-2	OK	7m
	3-6	OK	7m
	4-5	OK	7m
	7-8	OK	7m
1/3	1-2	OK	5m
	3-6	OK	7m
	4-5	OK	5m
	7-8	OK	7m
1/4	1-2	OK	7m
	3-6	OK	7m
	4-5	OK	7m
	7-8	OK	5m
1/5	1-2	OK	4m
	3-6	OK	5m
	4-5	OK	5m
	7-8	OK	4m
1/6	1-2	OK	4m
	3-6	OK	4m
	4-5	OK	4m
	7-8	OK	4m
1/7	1-2	OK	5m
	3-6	OK	4m
	4-5	OK	5m
	7-8	OK	4m
1/8	1-2	OK	4m
	3-6	OK	5m
	4-5	OK	4m
	7-8	OK	4m
1/9	1-2	OK	5m
	3-6	OK	5m
	4-5	OK	5m
	7-8	OK	5m
1/10	1-2	OK	7m
	3-6	OK	5m
	4-5	OK	5m
	7-8	OK	5m

Good cable tests

```
switch# test cable-diagnostics 51
```

This command will cause a loss of link on all tested ports and will take several seconds per port to complete. Use the 'show cable-diagnostics' command to view the results.

```
Continue (y/n)? Y
```

```
switch# show cable-diagnostics 51
```

```
Cable Diagnostic Status - Transceiver Ports
```

Port	MDI Pair	Cable Status	Distance to Fault	Pair Skew	Pair Polarity	MDI Mode
51	1-2	OK	0 m	8 ns	Normal	MDI
	3-6	OK	0 m	8 ns	Normal	
	4-5	OK	0 m	8 ns	Normal	MDIX

```
7-8      OK          0 m      0 ns     Normal
```

```
switch# test cable-diagnostics 52
```

This command will cause a loss of link on all tested ports and will take several seconds per port to complete. Use the 'show cable-diagnostics' command to view the results.

```
Continue (y/n)? Y
```

```
switch# show cable-diagnostics 52
```

Cable Diagnostic Status - Transceiver Ports

Port	MDI Pair	Cable Status	Distance to Fault	Pair Skew	Pair Polarity	MDI Mode
52	1-2	OK	0 m	0 ns	Normal	MDI
	3-6	OK	0 m	0 ns	Normal	
	4-5	OK	0 m	0 ns	Normal	MDIX
	7-8	OK	0 m	0 ns	Normal	

Faulty cable test

```
switch# test cable-diagnostics 51
```

This command will cause a loss of link on all tested ports and will take several seconds per port to complete. Use the 'show cable-diagnostics' command to view the results.

```
Continue (y/n)? y
```

```
switch# show cable-diagnostics 51
```

Cable Diagnostic Status - Transceiver Ports

Port	MDI Pair	Cable Status	Distance to Fault	Pair Skew	Pair Polarity	MDI Mode
51	1-2	OK	0 m	0 ns		
	3-6	Short	1 m	0 ns		
	4-5	Short	1 m	0 ns		
	7-8	OK	0 m	0 ns		

```
switch# test cable-diagnostics 52
```

This command will cause a loss of link on all tested ports and will take several seconds per port to complete. Use the 'show cable-diagnostics' command to view the results.

```
Continue (y/n)? Y
```

```
switch# show cable-diagnostics 52
```

Cable Diagnostic Status - Transceiver Ports

Port	MDI Pair	Cable Status	Distance to Fault	Pair Skew	Pair Polarity	MDI Mode
52	1-2	Open	0 m	0 ns		
	3-6	Open	0 m	0 ns		

4-5	Open	1 m	0 ns
7-8	Open	0 m	0 ns

Error message

Error Message	Cause
The transceiver on port 1/A1 does not support cable diagnostics.	<ul style="list-style-type: none"> usage of invalid(fiber-SFP+) port The selected range includes an entry for an invalid port.

show cable-diagnostics

Syntax

```
show cable-diagnostics <PORT-LIST>
```

Description

Use the command to generate results of completed tests on single or multiple ports. For incomplete tests, a warning is displayed.

Option

PORT

Specify one copper port as an input port number.

clear cable-diagnostics

Syntax

```
clear cable-diagnostics
```

Description

Use the command to clear the result buffer.

Example

```
switch(config)# clear cable-diagnostics
```

Limitations

TDR has the following limitations:

- TDR length accuracy is ± 5 m
- Does not work on Smart Rate Interfaces with 10GBASE-T and NGBASE-T (2.5G, 5G copper) ports available on:
 - v3 blades

- J9991A — Aruba 20-port 10/100/1000BASE-T PoE+ / 4-port 1/2.5/5/10GBASE-T PoE+ MACsec v3 z12 Module
- J9995A — Aruba 8-port 1/2.5/5/10GBASE-T PoE+ MACsec v3 z12 Module
- 3810M (JL076A — Aruba 3810M 40G 8 HPE Smart Rate PoE+ 1-slot Switch)
- Not supported on v2 z1 modules
- Valid only on 100BASE-TX and 1000BASE-T ports

Overview

The Link Layer Discovery Protocol (LLDP) is a vendor-neutral link layer protocol in the Internet Protocol Suite used by Aruba network devices for advertising their identity, capabilities, and neighbors on an IEEE 802 local area network, principally wired ethernet. The LLDP-bypass authentication feature provides zero touch provisioning of Aruba 802.11ac wireless access points (APs).

In an LLDP module, the packet is parsed and inspected for the presence of an Aruba Organizational Unit Identifier (OUI) Type-Length-Value (TLV). The Aruba OUI TLV, once detected, will bypass the authentication and permit traffic to pass on the port. If the Aruba OUI TLV is absent, the packet will be dropped and processing of the packet or LLDP transmission for that device will not pass.

In ZTP environments, when an Aruba AP is plugged into the switch port, the device profiles will be applied on the AP without any user intervention. After discovery of an Aruba AP, the switch will dynamically provision the AP connected port without initiating any authentication needs. This feature is enabled at the port-level or on a range of ports.

Features not supported

Authorization parameters configured in RADIUS and the switch are not supported by the LLDP-bypass authentication feature.

Configuration commands

aaa port-access lldp-bypass

From within the configure context:

Syntax

```
[no] aaa port-access lldp-bypass
```

Description

The command configures lldp-bypass authentication on the switch ports.

Configure lldp-bypass on the switch ports to bypass authentication for Aruba-APs which sends special LLDP TLVs. When LLDP-BYPASS is enabled on a port, it will behave as all other devices and bypass LLDP PDU for all device-profile enabled device.

By default, lldp-bypass is disabled on the switch ports.

Usage

```
[no] aaa port-access lldp-bypass <PORT-LIST>
```

Description

Validation rules

Validation	Error/Warning/Prompt
When the lldp-bypass is enabled on the port, different error messages are displayed.	<p>If MAC lockdown is enabled on the port:</p> <pre>Error configuring port A1: lldp-bypass cannot be enabled on a port with MAC lock-enabled.</pre> <p>If learn-mode is configured on the port:</p> <pre>A1: lldp-bypass cannot be enabled on the port with learn-mode configured.</pre> <p>If MACsec is configured on the port:</p> <pre>Error configuring port A1: lldp-bypass cannot be enabled on the port with MACsec-enabled.</pre> <p>If trunk is configured on the port:</p> <pre>Error configuring port A1: lldp-bypass cannot be enabled on the port with mesh or manual trunks configured.</pre> <p>If mesh is configured on the port:</p> <pre>lldp-bypass cannot be enabled on the port with mesh or manual trunks configured.</pre> <p>If Distributed Trunking is configured on the port:</p> <pre>lldp-bypass cannot be enabled on the port with mesh or manual trunks configured.</pre>
When MACsec is enabled on the port:	<p>If lldp-bypass is enabled on the port:</p> <pre>Cannot apply MACsec on the port A1 when lldp-bypass is enabled on that port.</pre>
When learn-mode is configured on the port:	<p>If lldp-bypass is enabled on the port:</p> <pre>A1: Cannot apply learn-mode on the port A1 when lldp-bypass is enabled on that port.</pre>
When trunk, distributed trunk or mesh is configured on the port:	<p>If lldp-bypass is enabled on the port:</p> <pre>Cannot apply mesh or manual trunks on the port A1 when lldp-bypass is enabled on that port.</pre>

Table Continued

Validation	Error/Warning/Prompt
When MAC-lockdown is enabled on the port:	If lldp-bypass is enabled on the port: Cannot apply MAC lock-enable on the port A1 when lldp-bypass is enabled on that port.
Security Warning when enabling lldp-bypass on the port.	Enabling lldp-bypass on the port may give access to any Aruba-AP that sends a special LLDP TLV without undergoing any authentication. This configuration may allow network access to the rogue devices that are capable of sending the special LLDP TLV Do you want to continue? [y/n]:

Show commands

show port-access lldp-bypass clients

Syntax

```
show port-access lldp-bypass clients
```

Description

Displays the clients which bypassed the authentication.

Options

<PORT-LIST>

Show information for specified ports only.

Usage

```
show port-access lldp-bypass clients [<PORT-LIST>]
```

show port-access lldp-bypass clients

```
switch#show port-access lldp-bypass clients
```

```
Port Access lldp-bypass Client Status
Port      MAC Address
-----  -
A1        000005-010203
A2        010203-040506
```

Stackable switch: show port-access lldp-bypass clients

```
switch(config)# show port-access lldp-bypass clients

Port Access lldp-bypass Client Status
```

Port	MAC Address
1/1	000005-010203
1/2	005056-bd7039

show port-access lldp-bypass clients A1

```
switch#show port-access lldp-bypass clients A1
```

Port	MAC Address	Client	Status
A1	000005-010203		

Stackable switch: show port-access lldp-bypass clients 1/1

```
switch(config)# show port-access lldp-bypass clients 1/1
```

Port	MAC Address	Client	Status
1/1	000005-010203		

show port-access lldp-bypass config

Syntax

```
show port-access lldp-bypass config
```

Description

Displays the lldp-bypass configuration applied on all switch ports.

show port-access lldp-bypass config

```
switch#show port-access lldp-bypass config
```

Port	Enabled
A1	Yes
A2	Yes
A3	No
A4	No
...	
A24	No
F1	No
F2	No
F3	No
F24	No

Stackable switch: show port-access lldp-bypass config

```
switch(config)#show port-access lldp-bypass config
```

```
Port Access lldp-bypass Configuration
```

```
Port      Enabled
```

```
-----
```

```
1/1      Yes
```

```
1/2      Yes
```

```
1/3      No
```

```
...
```

```
1/52     No
```

```
2/1      No
```

```
2/26     No
```

```
3/1      No
```

```
3/26     No
```

Error Log

Event	Message
CLIERR_CANNOT_ENABLE_LLDP_BYPASS_MAC_LOCKDOWN_ENABLED	lldp-bypass is not allowed on the port where MAC-lockdown is enabled. lldp-bypass cannot be enabled on a port with MAC lock-enabled.
CLIERR_MACLOCK_AND_LLDP_BYPASS	MAC-lockdown is not permitted on the port where is enabled lldp-bypass. Cannot configure MAC lock-enable on the port A1 when lldp-bypass is enabled on that port.
CLIERR_CANNOT_ENABLE_LLDP_BYPASS_MACSEC_ENABLED	lldp-bypass is not allowed on the port MACsec is configured. lldp-bypass cannot be enabled on a port when MACsec is enabled.
CLIERR_CANNOT_ENABLE_MACSEC_AS_LLDP_BYPASS_CONFIGURED	MACsec is not permitted on the port where is enabled lldp-bypass. Cannot apply MACsec on the port A1 when lldp-bypass is enabled on that port.

Table Continued

Event	Message
CLIERR_CANNOT_ENABLE_LEARN_MODE_CONFIGURED_LLDP_BYPASS	<p>Port-security learn-mode configured is not permitted when lldp-bypass is enabled on the port.</p> <p>A1: Cannot apply learn-mode on the port A1 when lldp-bypass is enabled on that port.</p>
CLIERR_LLDP_BYPASS_AND_LEARN_MODE_CONFIGURED	<p>lldp-bypass is not permitted when port-security learn-mode is configured.</p> <p>lldp-bypass cannot be enabled on a port when learn-mode is enabled.</p>
CLIERR_LLDP_BYPASS_AND_MESH_OR_MANUAL_TRUNK	<p>Trunk/ mesh/Distributed Trunk is not permitted on the lldp-bypass enabled port.</p> <p>Cannot apply mesh or manual trunks on the port A1 when lldp-bypass is enabled on that port.</p>
Existing Log:CLIERR_MESH_OR_MANUAL_TRUNK	<p>lldp-bypass cannot be enabled for trunk/mesh/Distributed Trunk ports.</p> <p>lldp-bypass cannot be enabled on a port when mesh or manual trunks is enabled.</p>

Debug log

Comment	Message
Security warning to be displayed when lldp-bypass configuration is enabled on the port.	<p>Enabling lldp-bypass on the port may give access to any Aruba-AP that sends a special LLDP TLV without undergoing any authentication. This configuration may allow network access to the rogue devices that are capable of sending the special LLDP TLV</p> <p>Do you want to continue? [y/n]:</p>
When adding the Aruba-AP into the authorized client list.	<p>Will use the existing debug log: 0000:00:24:25.07 PSEC mPORTSECmCtrl:added new SA 000005-000000 to authorized addr list of port A1 for vlan 1.</p>
When removing the Aruba-AP from the authorized client list.	<p>Will use the existing debug log: 0000:00:01:47.07 PSEC mPORTSECmCtrl:removed 000006-000000 from authorized addr list of port A1 for vlan 1 due to delete.</p>
When Aruba-AP is detected on lldp-bypass enabled port:	<p>0000:00:13:57.64 PSEC mPORTSECmCtrl: Received PROFMGR_DEVICE_CONNECTED event for 40e3d6-c6d492 on port A1.</p>
When already connected Aruba-AP is disconnected/removed on lldp-bypass enabled port.	<p>0000:00:13:07.96 PSEC mPORTSECmCtrl: Received PROFMGR_DEVICE_DISCONNECTED event for 40e3d6-c6d492 on port A1.</p>

List of abbreviated terms

Term	Definition
VSF	Virtual Switch Framework (front plane stacking)
FPS	Front Plane Stacking
BPS	Back Plane Stacking
MM	Management Module
IM	Interface Module
GVRP	GARP VLAN Registration Protocol
GARP	Generic Attribute Registration Protocol
MVRP	Multiple VLAN Registration Protocol

Overview of VSF

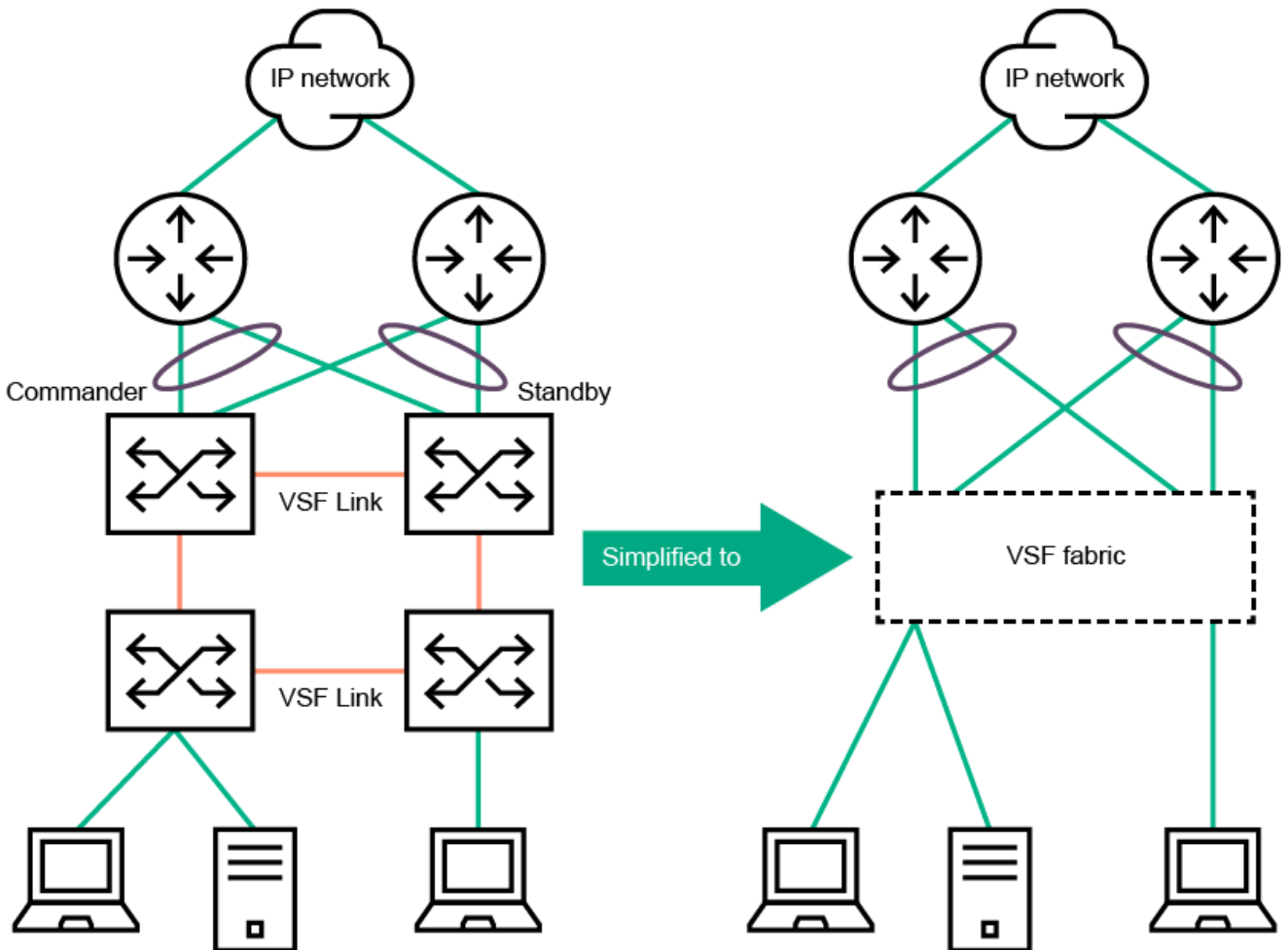
HPE-Aruba Virtual Switching Framework (VSF) technology virtualizes up to four physical devices in the same layer into one virtual fabric which provides high availability and scalability. A virtual fabric is therefore multiple physical devices in the same layer that utilize VSF technology.

VSF allows supported switches connected to each other through normal ethernet connections (copper or fiber) to behave like a single switch.



VSF is supported only on the Aruba 2930F Switch Series.

Figure 132: Two devices using VSF technology appearing as a single node to the upper-layer and lower-layer devices



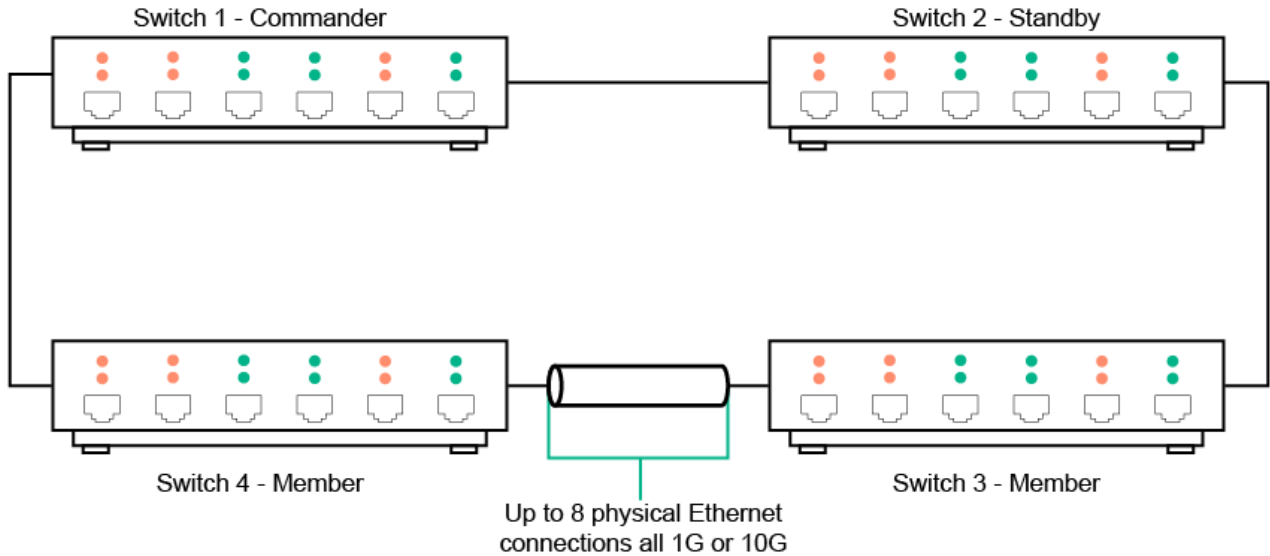
VSF previously supported 2-member stack for a pair of 5400R switches with V3 blades, interconnected through standard Ethernet connections with front-plane stacking capability. Interswitch connectivity was restricted to 10G and 40G links. In VSF 4-member stack, the same front-plane stacking capability has been extended to 2930F switches. Variants have:

- 1G (copper and SFP) ports and 10G (SFP+) ports.
- PoE+ and non-PoE+ ports.
- None of the variants have an OOBM port.

The VSF feature allows the user to form a stack of up to four devices of any SKU, including mixing the SKUs in a single stack. The switches in these stacks are interconnected using standard Ethernet connections. These interconnections between member switches are called VSF links. Each VSF link can comprise up to eight individual VSF ports, and traffic between two members will be load-balanced automatically across all the

connected ports. Each switch can have two VSF links. The switches behave as a single virtual switch. 2930F supports a maximum of four 10G ports.

Figure 133: A 4-member VSF stack



Benefits of VSF

Simplified topology and easy management

A VSF fabric appears and behaves as one logical switch and is accessible by the network through a single IP address.



Spanning tree features are not necessary among VSF members.

1:1 redundancy

One member acts as the commander to manage and control the entire VSF fabric. One of the switches acts as a standby and backs up the commander, and takes over in case of commander failure.

VSF port aggregation

A VSF link can aggregate up to eight VSF ports with the immediate neighboring member. This provides redundancy till failure of seven VSF ports.

Distributed trunking

The Ethernet link aggregation feature can be used to aggregate physical links between the VSF and its upstream or downstream devices across the VSF members. This eliminates the need for spanning tree and also provides load balancing across all ports of the link aggregate.

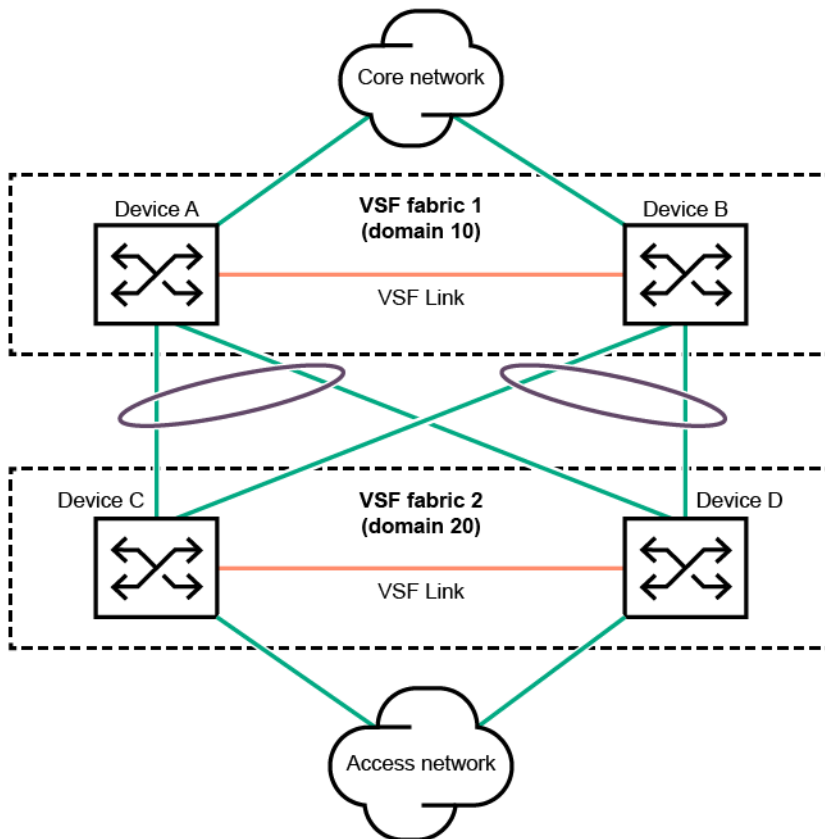
Network scalability

The processing power is equal to the Commander, the forwarding capacity is equal to all the stack members combined.

VSF domain ID

VSF uses VSF domain IDs to uniquely identify VSF fabrics and prevent VSF fabrics from interfering with one another. One VSF fabric forms one VSF domain.

Figure 134: Two VSF domains



VSF link

A VSF link is a logical interface that connects VSF member devices. Every VSF-capable device supports a VSF link.

I-Link<Member ID>_1 is the default VSF link name.

To configure a VSF link, a minimum of one physical interface should be bound to the link. The bound physical interfaces are automatically aggregated to form a VSF link. A VSF link goes down only if all its VSF physical interfaces are down.

Physical VSF ports

VSF ports connect VSF member devices and must be bound to using a VSF link. These VSF ports forward VSF protocol packets and data traffic. Up to eight ports can be bound to a VSF link.



Once a port is bound to a VSF link, all existing configuration associated with the port, such as VLAN membership and speed, will be removed.

VSF member ID

VSF fabric uses member IDs to uniquely identify and manage its members. The first part of the interface module number is the Member ID information, which identifies interfaces in a VSF fabric. The device that wins the election and becomes a Commander, will retain its member ID, while the other will automatically be assigned a different unassigned member ID from the pool and reboot.



If the VSF member ID changes when joining a VSF virtual chassis, it will cause a reboot of that member and not the whole VSF virtual chassis.

Interface naming conventions

An interface is named in the following format:

Interface name

`<member ID>/<port-index>` For example: 1/1, 2/24.

Definition

<member ID >

VSF member ID of the switch. The VSF member ID will be a part of the interface name in a VSF fabric, whether a device has formed a VSF fabric with other devices, or not. A single device is also considered to be a standalone VSF fabric.

<port-index >

Index of the port on the device. Port index depends on the number of ports available on the linecard (or Interface Module).

For example, on VSF, an interface name would take this form:

```
<member ID>/<interface-module><port-index>
```

```
2/4
```

where 2 is the member ID and 4 is the port-index.

VSF member roles

- **Commander:** Control and management plane protocols run on the Commander, which is responsible for managing the forwarding databases, synchronizing them with the Standby and controlling all line cards including that of the Standby.
- **Standby:** Standby is a stateful backup device for the Commander and is ready to take control of the VSF virtual chassis if the Commander device fails. This enables the VSF virtual chassis to continue its operations seamlessly in the event of a failure.
- **Member:** All devices in the stack other than the commander and standby are called member switches. The member switch does not run any networking protocols and has no states. The ports on this switch are directly controlled and programmed by the commander switch. When a standby takes over as commander, one of the member switches is upgraded to standby role.



All switches in the VSF stack will have the same software version. During stack formation, switches which do not have the same software version as the commander, will be updated to the commander's software. This will cause a reboot of the updated switch.

Member priority

Member priority determines the possibility of a member device being elected as the Commander. A member with higher priority is more likely to be elected as the Commander. The default priority is 128, but can be between 1 and 255.



Changing the priority does not affect the commander immediately. It will take effect from the next stack reboot, during the commander election.

Supported topologies

- A VSF fabric can have up to four members.
- A VSF member can have up to two VSF links.
- A VSF fabric with ring topology is recommended. Loss or failure of one link in this topology will degrade the topology to chain, without losing any VSF members from the stack. Traffic will still continue with minimal loss of in-flight traffic.

Table 34: *Supported chain topologies*

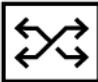

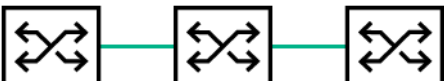

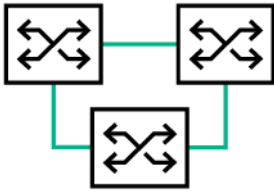
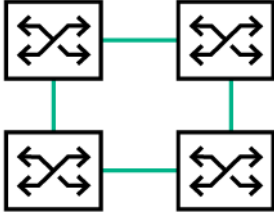
Members	Chain topology
1-member (standalone)	 A square box containing four arrows pointing outwards from the corners, representing a standalone member.
2-member	 Two square boxes, each containing four arrows pointing outwards, connected by a horizontal line representing a link between two members.
3-member	 Three square boxes, each containing four arrows pointing outwards, connected in a horizontal chain by two links between three members.
4-member	 Four square boxes, each containing four arrows pointing outwards, connected in a horizontal chain by three links between four members.

Table 35: Supported ring topologies

Members	Ring topology
3-member	
4-member	

Running-configuration synchronization

VSF uses a strict running-configuration synchronization mechanism. In a VSF fabric, the Commander manages and retains the configuration of all the devices. All other devices obtain and use the running configuration from the Commander.

VSF discovery Plug-and-Play

In the 2920 or 38XX devices, switches can be directly connected and automatically formed into a stack. But in VSF devices, since the interconnect is over Ethernet ports, it is difficult to distinguish between a regular interswitch link and a VSF link. To overcome this, the plug-and-play (auto-join) mechanism requires the user to pre-configure the commander in a VSF fabric. The other connected switches then automatically join into a VSF fabric.

Configuring VSF Plug-n-Play

VSF Plug-n-Play can be configured using two methods:

- provisioning
 - Chassis type, called loose provisioning
 - Chassis type and MAC-address, called strict provisioning
- without provisioning

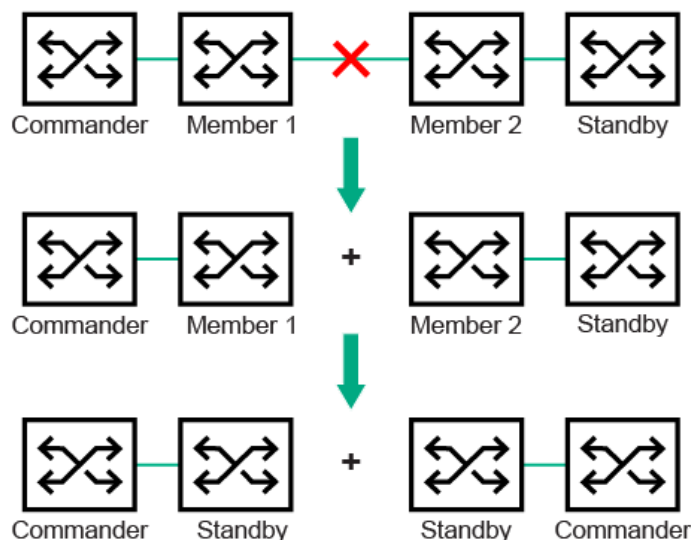
For more information, see [Automatic configuration of a VSF fabric](#).

VSF split

A VSF split can occur due to a VSF link failure where all ports in the VSF link go down or any member is power-cycled or crashes in the chain topology. This failure results in independent VSF fabric fragment each having its own Commander role. HPE Aruba recommends configuring a Multiple Active Detection (MAD) mechanism to

avoid duplicate IP addresses, routing issues and traffic forwarding problems when a VSF split occurs. For MAD, see **Multi-Active Detection** .

Figure 135: VSF split

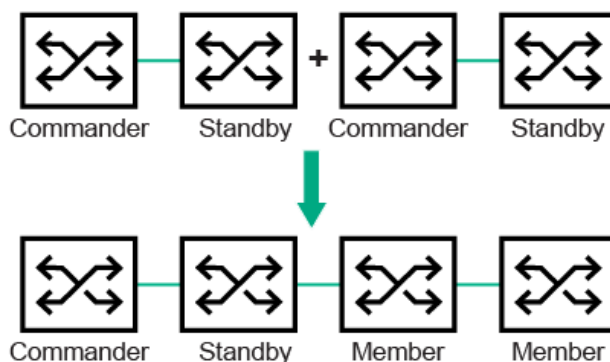


In the preceding figure, after the split, Member 1 will be elected as the new Standby in the previous Commander fragment. Previous Standby will failover and become Commander. Member 2 will be elected as a new standby to that fragment. Once the fragment become inactive, all front plane ports except VSF links will be brought down. A limited set of CLI commands will be available on the inactive fragment.

VSF merge

VSF merge occurs on connecting two different VSF fragments having the same domain-ID via VSF links. One of the VSF fragments reboots to merge with the other fragment and forms one VSF fabric. Devices merge only if they have the same domain ID.

Figure 136: VSF Merge



VSF commands

Configuration commands

vsf enable

Syntax

```
vsf enable domain <DOMAIN-ID>
```

Description

Enable VSF on the switch. Allows for switches to be stacked using Ethernet ports.

Parameters

<DOMAIN-ID>

The domain ID can be from 1 to 4294967296.



NOTE

The command `vsf enable` causes the switch to reboot once and form the fabric. Upon reboot, the switch comes up in the "VSF enabled" mode. Port numbers are prefixed with member numbers, such as "1/1". The configuration on the switch becoming Commander will be retained, but any pre-existing configuration on other switches will be over-written. The switch will inherit the same switch software as the member becoming Commander. If the software image of a switch needs to be updated, the switch will reboot twice.

vsf disable

Syntax

```
vsf disable
```

Description

Disable VSF on the virtual chassis.

Restriction

This command will not be available until VSF is enabled.

Validation rules for enabling or disabling VSF

Validation	Error/Warning/Prompt
When <code>vsf enable</code> is executed on a VSF disabled switch following warning message will be displayed.	This will save the current configuration and reboot the switch. Continue [y/n]?
Run <code>vsf disable</code> when VSF links is UP.	VSF cannot be disabled when the VSF virtual chassis is active.

vsf member link

Syntax

```
[no] vsf member <MEMBER-ID> link <LINK-ID> [[ethernet] <PORT-LIST> | name <LINK-NAME>] [start-disabled]
```

Description

Create the VSF links. A set of physical ports between any two members, carrying VSF traffic, is collectively referred to as a VSF link.

Parameters

<MEMBER-ID>

The VSF member-ID for the member command or parameter. Member ID value can be in the range from 1 to 4.

<LINK-ID>

VSF link ID value.

<PORT-LIST>

The port number or a list of ports. Upto 8 ports can be assigned into a VSF link.

<LINK-NAME>

The VSF link name. Upto 10 characters are allowed for link name.

Operating Notes

- A VSF link is a logical port dedicated to the internal connection of a VSF virtual device.
- A VSF link is effective only after it is bound to a physical port.
- When an Ethernet port is bound to a VSF link, it carries VSF data traffic and VSF protocol packets.

Validation rules for VSF link

Validation	Error/Warning/Prompt
When trunk is static/manual and mesh is getting configured as VSF port	<p>Cannot configure VSF on port "1" because that port is an LACP trunk.</p> <p>Cannot configure VSF on port "1" because that port is a Mesh.</p> <p>Cannot configure VSF on port "1" because that port is a Distributed LACP trunk.</p> <p>Cannot configure VSF on port "1" because that port is a Distributed trunk.</p> <p>Cannot configure VSF on port "1" because that port is a Dynamic trunk.</p> <p>Cannot configure VSF on port "1" because that port is an InterSwitch Connect (ISC) port.</p> <p>Error configuring VSF on port "1": An unsupported trunking mode is already configured on this port.</p>
Adding 10G ports to a VSF link configured on 1G.	Warning: Port 10 does not support the current VSF port speed of 1G and may not be activated. Use compatible transceiver or reconfigure port speed to utilize this port.
Max eight ports per link.	Cannot configure more than eight physical ports as a VSF link.
For other than physical ports.	VSF capabilities are not supported on port "1".

Table Continued

Validation	Error/Warning/Prompt
Cannot set a link name which is having more than 31 characters.	Cannot configure the VSF link name. The name is not a valid UI display string, or is blank, or exceeds 31 characters.
Direct VSF port removal case	Cannot remove a VSF link when it has physical ports associated with it. First remove the associated physical ports and then remove the VSF link.
Removing the last VSF port in a VSF link that is "Up" is forbidden.	Removing of binding between physical ports and VSF link is not allowed since it would result in a stack split.
Using a port reserved for internal use as a VSF port.	Cannot use stolen/reserved ports as VSF ports.

vsf domain

Syntax

```
vsf domain <DOMAIN-ID>
```

Description

Change a domain ID for the VSF virtual chassis.

Once VSF is enabled and virtual chassis is formed, VSF domain ID can be changed using this command.

Parameters

<DOMAIN-ID>

The VSF virtual chassis domain ID. Domain ID value can be in the range of 1 to 4294967296.

Validation rules for VSF domain

Validation	Error/Warning/Prompt
Domain-ID must be 32-bit unsigned integer.	The domain ID cannot be zero.

vsf member

Syntax

```
vsf member <MEMBER-ID>
```

Description

Configure VSF member parameters.

Parameters

<MEMBER-ID>

The VSF member-ID for the member command or parameter. Member ID value can be in the range of 1 to 4.

vsf member shutdown

For a switch that physically exists, this command will cause the switch to shut down. `shutdown` is used in preparation to remove the switch from the virtual chassis. The switch will not become a voting member of the virtual chassis again until it is rejoined.

The `shutdown` command cannot be used on the Commander. The `shutdown` command will succeed only if the switch physically exists and is an active member of the virtual chassis.

Syntax

```
vsf member <MEMBER-ID> shutdown
```

Description

Shut down the VSF virtual chassis member.

Parameters

<MEMBER-ID>

The VSF member-ID for the member command or parameter. Member ID value can be in the range of 1 to 4.

Restriction

Shutdown will not be available until VSF is enabled.

Validation rules for VSF member shutdown

Validation	Error/Warning/Prompt
If member switch physically exists	The specified VSF virtual chassis member will be shut down. Continue [y/n]?
If member switch physically exists and is the commander	The VSF virtual chassis commander cannot be shut down. Please fail over to the standby first.
If member switch does not physically exist	The specified VSF virtual chassis member does not exist.
If shutting down a member will cause a VC –split	Shutting down this VSF virtual chassis member is not allowed since it would result in a VSF virtual chassis split.
If VSF not enabled, this command is not allowed.	VSF is not enabled.

vsf member reboot

Syntax

```
boot vsf member <MEMBER-ID>
```

Description

Reboot the VSF member and have it rejoin the virtual chassis with the current configuration. If the `reboot` option is specified, the switch will come back up with a new member-ID and rejoin the virtual chassis with the current configuration.

Parameters

<MEMBER-ID>

The VSF member-ID for the member command or parameter. Member ID value can be in the range of 1 to 4.

Restriction

Reboot will not be available until VSF is enabled.

Validation rules for VSF member reboot

Validation	Error/Warning/Prompt
Reboot a nonexistent or missing VSF member.	The specified VSF virtual chassis member does not exist.
Reboot a standalone VSF commander.	Standby does not exist and this command will not cause a switch over. System will reboot from the primary image. Continue [y/n]?
Reboot of the member will cause VSF stack split.	Rebooting this member is not allowed since it would result in a stack split.

vsf member remove

This command removes the entire configuration for a specified member. After issuing the command, the specified member-ID is available for reuse and may be provisioned or assigned to another device.

If the member physically exists, its configuration will be erased. It will then be powered down by default.

Syntax

```
vsf member <MEMBER-ID> remove
```

Description

Erase the VSF virtual chassis member configuration.

Parameters

<MEMBER-ID>

The VSF member-ID for the member command/ or parameter. Member ID value can be in the range of 1 to 4.

Restriction

Remove will not be available until VSF is enabled.

Validation rules for removing a VSF member

Validation	Error/Warning/Prompt
If VSF not enabled, this command is not allowed.	VSF is not enabled.
VSF member neither exists nor provisioned	The specified VSF virtual chassis member either does not exist or is not provisioned.
VSF standby syncing add remove member blocked	VSF virtual chassis members cannot be added or removed while the standby is booting.
VSF member remove causes VSF virtual chassis split	Removing this member is not allowed since it would result in a VSF virtual chassis split.

Table Continued

Validation	Error/Warning/Prompt
VSF missing member remove	The specified VSF virtual chassis member will be removed and its configuration will be erased. The resulting configuration will be saved. Continue [y/n]?
VSF provision member remove	The specified VSF virtual chassis member configuration will be erased. The resulting configuration will be saved. Continue [y/n]?
VSF remove commander	The VSF virtual chassis commander cannot be removed. Please fail over to standby before trying to remove the commander.
VSF member remove	The specified VSF virtual chassis member will be removed and its configuration will be erased. The resulting configuration will be saved. The VSF member will be shut down. Continue [y/n]?
VSF standby remove	The specified VSF virtual chassis member will be removed and its configuration will be erased. The resulting configuration will be saved. The VSF member will be shut down. Continue [y/n]?

vsf member priority

Syntax

```
vsf member <MEMBER-ID> priority <PRIORITY>
```

Description

Assign a priority to the specified VSF virtual chassis member. The higher the priority, the more likely that the virtual chassis member will become the commander at the next virtual chassis reboot. The default priority value is 128.

Parameters

<MEMBER-ID>

The VSF member-ID for the member command or parameter. Member ID value can be in the range of 1 to 4.

<PRIORITY>

The priority value for VSF member. Priority value can be in the range of 1 to 255.

vsf member type

This CLI command provisions a switch with the member ID and the type defined by the specified J-number for the device. After provisioning the member, the user may perform any configuration on the device's ports.

A "strict" provisioning specifies a MAC address and allows for only one device with the matching J-number and MAC to be configured.

A "loose" provisioning allows the device with the specified J-number to be configured without a MAC address being specified. This allows any device which matches the J-number to adopt this configuration.

If a provisioned configuration exists with the member ID, the following command is used to change the provisioning from "strict" and "loose" and vice versa.

Syntax

```
vsf member <MEMBER-ID> type <TYPE> [mac <MAC-ADDR>]
```

Description

Configure the family of the VSF member-switch being provisioned. After provisioning, the VSF member-switch can be configured as if it were physically present. When a VSF member-switch matching the provisioned details joins the VSF, it is provided this configuration. A new or missing VSF member can be configured as a provisioned device by using this command.

Parameters

<MEMBER-ID>

The VSF member-ID for the member command/parameter. Member ID value can be in the range of 1 to 4.

<TYPE>

Configure the family of the VSF member-switch being provisioned.

<MAC-ADDR>

Configure the MAC address of the VSF member switch being provisioned.

Restrictions

- If switch “N” physically exists, the command will fail.
- If switch “N” is provisioned, the command can be used to change the MAC or type.
- If the J-Number is known to not support stacking, or the J-Number is unknown, the command will fail.
- If the same MAC address is already provisioned or exists on another member ID, the command will fail.

Usage

```
vsf member <2> type <J9850A> mac <001122-334455>
```

Updates the strict provisioning for VSF VC member 2, and changes the MAC address to 001122-334455.

```
vsf member <2> type <J9850A>
```

Changes the “strict” provisioning for VSF VC member 2 to “loose” provisioning. The configured MAC address is then removed.

```
vsf member <2> type <J9850A> mac <00aabb-cceedd>
```

Changes “loose” provisioning for VSF VC member 2 to “strict” provisioning with MAC address 00aabb-cceedd.

Validation rules for VSF member type

Validation	Error/Warning/Prompt
When a VSF member is provisioned, the link and ports also need to be provisioned for new member to join VSF.	Warning: The link and port should be provisioned for member 3 to join the VSF stack.

snmp-server enable traps vsf

Syntax

```
[no] snmp-server enable traps vsf
```

Description

Enable traps for the VSF functionality.

Validation rules for VSF SNMP server enable traps

Validation	Error/Warning/Prompt
This command cannot be executed if VSF is not enabled.	VSF is not enabled.

vsf port-speed

Syntax

```
vsf port speed <SPEED>
```

Description

Configure the port speed for all VSF ports. Ports that do not support the configured speed can be part of the VSF, but will not be operational. By default, the speed for the VSF is automatically set to the maximum speed of the first link port added. The port speed cannot be set to default if there are ports in the link. Changing the link speed of the VSF ports will trigger a reboot.

Parameters

<SPEED>

The allowed values for port speeds are 1g and 10g.

Usage

```
[no] vsf port speed <SPEED>
```

The `no` form of the command cannot be executed if there are ports configured on the link. All the ports in the link have to be unconfigured before setting the speed to default.

Example input

```
Switch(config)# vsf port-speed
1g          Specify the VSF ports to auto-negotiate at 1 Gbps.
10g         Specify the VSF ports to auto-negotiate at 10 Gbps.
```

vsf vlan-mad

Syntax

```
vsf vlan-mad <VLAN-ID>
```

Description

Configure the VSF Multi-Active Detection (MAD) VLAN. The MAD VLAN is used for stack fragment discovery when there is a stack split. Only one MAD VLAN can be configured.

Parameters

<VLAN-ID>

VLAN identifier or the VLAN name if configured. Vlan ID value can be in the range of 1 to 4096.

Usage

```
[no] vsf vlan-mad <VLAN-ID>
```

vsf lldp-mad ipv4

Syntax

```
[no] vsf lldp-mad ipv4 <IPV4_ADDR> v2c <COMMUNITY-STR>
```

Description

Enable LLDP-MAD on the VSF device.



The command `vsf lldp mad` requires a peer switch to be configured as the “assist” device.

Parameters

<IPV4_ADDR>

The IPv4 address of the MAD (Multi-Active Detection) device.

<COMMUNITY-STR>

The SNMP community string for the MAD (Multi-Active Detection) device.

Usage

```
Switch(config)# vsf lldp-mad ipv4
```

```
Switch(config)# vsf lldp-mad ipv4 <IPv4_ADDR>
```

```
Switch(config)# vsf lldp-mad ipv4 <MAD-IP-ADDRESS> v2c
```

```
Switch(config)# vsf lldp-mad ipv4 210.10.0.12 v2c <COMMUNITY-STR>
```

Validation rules

Validation	Error/Warning/Prompt
This command cannot be executed if VSF is not enabled.	<p>VSF is not enabled.</p> <p>Cannot configure VSF LLDP MAD IP address because the specified IP address is a multicast IP address.</p> <p>Cannot configure VSF LLDP MAD IP address because the specified IP address is a link-local IP address.</p> <p>Cannot configure VSF LLDP MAD IP address because the specified IP address is configured on the loopback interface.</p> <p>Cannot configure VSF LLDP MAD IP address because the specified IP address is configured on a local interface.</p>
The MAD assist device and the VSF device must be on a common IP subnet for LLDP-MAD to work.	The MAD (Multi-Active Detection) device and the VSF device are not on the same network.

Show commands

show vsf

Syntax

```
show vsf
```

Description

Shows the list of VSF virtual chassis members that are provisioned.

Restrictions

`show vsf` can be run only after VSF is enabled.

Example output

```
Switch# show vsf
VSF Domain ID      : 1234
MAC Address        : b05ada-9611e3
VSF Topology       : Ring
VSF Status         : Active
Uptime             : 3d 20h 59m
VSF MAD            : None
VSF Port Speed     : 1G
Software Version   : WC.16.03.0000x

Mbr
ID  MAC Address      Model                               Pri Status
---  -
 1  b05ada-9611e0    Aruba JL253A 2930F-24G-4SFP+ Switch 128 Commander
*2  b05ada-971180    Aruba JL254A 2930F-48G-4SFP+ Switch 128 Standby
 3  b05ada-9761c0    Aruba JL256A 2930F-48G-PoE+-4SFP+ S... 128 Member
 4  b05ada-9611c0    Aruba JL253A 2930F-24G-4SFP+ Switch 128 Member
```

The above example shows:

- Topology is ring.
- Member 1 is Commander.
- Member 2 is Standby
- Member 3 and 4 are Members.

Validation rules

Validation	Error/Warning/Prompt
If VSF not enabled, this command is not allowed.	VSF is not enabled.

`show vsf detail`

Syntax

```
show vsf detail
```

Description

This commands shows detailed information related to the current state of the VSF virtual chassis.

Example output

```
Switch# show vsf detail
VSF Domain ID      : 1234
MAC Address        : b05ada-9611e3
VSF Topology       : Chain
VSF Status         : Active
Uptime             : 3d 21h 18m
```



```

VSF MAD      : None
VSF Port Speed : 1G
Software Version : WC.16.03.0000x

Name          : Aruba-VSF-2930F
Contact       :
Location      :

Member ID     : 1
MAC Address   : b05ada-9611e0
Type          : JL253A
Model         : Aruba JL253A 2930F-24G-4SFP+ Switch
Priority      : 128
Status        : Commander
ROM Version   : WC.16.01.0003
Serial Number : TW5ZHKT065
Uptime        : 3d 21h 18m
CPU Utilization : 0%
Memory - Total : 335,503,872 bytes
Free          : 219,944,392 bytes
VSF Links -
#1 : Inactive
#2 : Active, Peer member 2

Member ID     : 2
MAC Address   : b05ada-971180
Type          : JL254A
Model         : Aruba JL254A 2930F-48G-4SFP+ Switch
Priority      : 128
Status        : Standby
ROM Version   : WC.16.01.0003
Serial Number : TW5ZHKV038
Uptime        : 3d 21h 15m
CPU Utilization : 0%
Memory - Total : 335,503,872 bytes
Free          : 234,746,152 bytes
VSF Links -
#1 : Active, Peer member 3
#2 : Active, Peer member 1

Member ID     : 3
MAC Address   : b05ada-9761c0
Type          : JL256A
Model         : Aruba JL256A 2930F-48G-PoE+-4SFP+ Switch
Priority      : 128
Status        : Member
ROM Version   : WC.16.01.0003
Serial Number : TW5ZHGX057
Uptime        : 3d 21h 13m
CPU Utilization : 0%
Memory - Total : 335,503,872 bytes
Free          : 247,270,504 bytes
VSF Links -
#1 : Active, Peer member 2
#2 : Active, Peer member 4

Member ID     : 4
MAC Address   : b05ada-9611c0
Type          : JL253A
Model         : Aruba JL253A 2930F-24G-4SFP+ Switch

```

```

Priority      : 128
Status       : Member
ROM Version  : WC.16.01.0003
Serial Number : TW5ZHKT067
Uptime       : 3d 21h 13m
CPU Utilization : 0%
Memory - Total : 335,503,872 bytes
Free         : 247,131,388 bytes
VSF Links -
#1 : Inactive
#2 : Active, Peer member 3

```

Switch#

The above example shows:

- Member 1 Link 2 is connected to Member 2 Link 2.
- Member 2 Link 1 is connected to Member 2 Link 1.
- Member 3 Link 2 is connected to Member 4 Link 2.
- Member 4 Link 1 is connected to Member 1 Link 1.

Validation rules

Validation	Error/Warning/Prompt
If VSF not enabled, this command is not allowed.	VSF is not enabled.

show vsf link

Syntax

```
show vsf link
```

Description

Shows the VSF port state of the VSF links for each VSF member.

Example output

```
Switch# show vsf link
```

```
VSF Member 1
```

Link	Link-Name	Link State	Peer Member	Peer Link
1	I-Link1_1	Down	0	0
2	I-Link1_2	Up	2	2

```
VSF Member 2
```

Link	Link-Name	Link State	Peer Member	Peer Link
1	I-Link2_1	Up	3	1
2	I-Link2_2	Up	1	2

VSF Member 3

Link	Link-Name	Link State	Peer Member	Peer Link
1	I-Link3_1	Up	2	1
2	I-Link3_2	Up	4	2

VSF Member 4

Link	Link-Name	Link State	Peer Member	Peer Link
1	I-Link4_1	Down	0	0
2	I-Link4_2	Up	3	2



A VSF port speed which does not match with the global port speed, will be in a down state. The command `show vsf link detail` will display an error message.

show vsf link detail

Syntax

```
show vsf link detail
```

Description

Displays a detailed output of VSF port state and links for each VSF member.

Example output

```
Switch# show vsf link detail
VSF Member: 1      Link: 1

Port      State
-----
1/1       Down

VSF Member: 1      Link: 2

Port      State
-----
1/2       Up: Connected to port 2/2

VSF Member: 2      Link: 1

Port      State
-----
2/1       Up: Connected to port 3/1

VSF Member: 2      Link: 2

Port      State
-----
2/2       Up: Connected to port 1/2
```

```

VSF Member: 3      Link: 1

Port      State
-----  -
3/1      Up: Connected to port 2/1

VSF Member: 3      Link: 2

Port      State
-----  -
3/2      Up: Connected to port 4/2

VSF Member: 4      Link: 1

Port      State
-----  -
4/1      Down

VSF Member: 4      Link: 2

Port      State
-----  -
4/2      Up: Connected to port 3/2

```

show vsf member

Syntax

```
show vsf member <MEMBER ID>
```

Parameters

<MEMBER ID>

The VSF member-ID for the member command or parameter. Member ID value can be in the range of 1 to 4.

Example output

Example output for Member 1:

```

Switch# show vsf member 1
Member ID      : 1
MAC Address    : b05ada-9611e0
Type          : JL253A
Model         : Aruba JL253A 2930F-24G-4SFP+ Switch
Priority       : 128
Status        : Commander
ROM Version    : WC.16.01.0003
Serial Number  : TW5ZHKT065
Uptime        : 3d 21h 19m
CPU Utilization : 5%
Memory - Total : 335,503,872 bytes
Free          : 219,808,496 bytes
VSF Links -
#1 : Inactive
#2 : Active, Peer member 2

```

Example output for Member 2:

```
Switch# show vsf member 2
Member ID      : 2
MAC Address    : b05ada-971180
Type           : JL254A
Model          : Aruba JL254A 2930F-48G-4SFP+ Switch
Priority        : 128
Status         : Standby
ROM Version    : WC.16.01.0003
Serial Number  : TW5ZHKV038
Uptime         : 3d 21h 16m
CPU Utilization : 0%
Memory - Total : 335,503,872 bytes
Free           : 234,746,152 bytes
VSF Links -
#1 : Active, Peer member 3
#2 : Active, Peer member 1
```

Example command output for Member 3:

```
Switch# show vsf member 3
Member ID      : 3
MAC Address    : b05ada-9761c0
Type           : JL256A
Model          : Aruba JL256A 2930F-48G-PoE+-4SFP+ Switch
Priority        : 128
Status         : Member
ROM Version    : WC.16.01.0003
Serial Number  : TW5ZHKK057
Uptime         : 3d 21h 14m
CPU Utilization : 0%
Memory - Total : 335,503,872 bytes
Free           : 247,270,504 bytes
VSF Links -
#1 : Active, Peer member 2
#2 : Active, Peer member 4
```

Example command output for Member 4:

```
Switch# show vsf member 4
Member ID      : 4
MAC Address    : b05ada-9611c0
Type           : JL253A
Model          : Aruba JL253A 2930F-24G-4SFP+ Switch
Priority        : 128
Status         : Member
ROM Version    : WC.16.01.0003
Serial Number  : TW5ZHKT067
Uptime         : 3d 21h 14m
CPU Utilization : 0%
Memory - Total : 335,503,872 bytes
Free           : 247,131,388 bytes
VSF Links -
#1 : Inactive
#2 : Active, Peer member 3
```

show vsf topology

Syntax

```
show vsf topology
```

Description

This command shows information about VSF virtual chassis member connections.

Example output

```
Switch# show vsf topology
```

```
VSF member's interconnection with links:
```

```
          Stby      Cmdr
+----+   +----+   +----+   +----+
| 4 |2==2| 3 |1==1| 2 |2==2| 1 |
+----+   +----+   +----+   +----+
```

The above example shows:

- Member ID 4 Link 2 is connected to Member ID 3 Link 2.
- Member ID 3 Link 1 is connected to Member ID 2 Link 1.
- Member ID 2 Link 2 is connected to Member ID 1 Link 2.
- Member ID 1 is current VSF commander.
- Member ID 2 is current VSF standby.

show vsf topology detail

Syntax

```
show vsf topology detail
```

Description

This command displays forwarding path information (unidestination and multidestination flood path information). The unidestination forwarding takes the shortest path in terms of hop counts to reach destination member. The command output provides the egress VSF link used to send traffic along the shortest path computed. The multi destination path provides the complete flood path taken along the VSF stack for the multidestination traffic ingressing VSF stack or sourced at any VSF member.

Example output

```
Unicast Link Path:
```

VSF Member ID	1	2	3	4
1	-	1	1	1
2	2	-	1	1
3	1	1	-	2
4	1	1	1	-

In the above example, the unidestination traffic from Member Id 1 to Member Id 4 egresses through VSF link 1. Member Id 2 to Member Id 4 egresses through VSF link 1. Member Id 3 to Member Id 4 egresses through VSF link 2, and so on.

```
Multicast Path:
```

VSF Member ID	Path
1	2-3-4
2	3-4, 1
3	2-1, 4
4	3-2-1

In the above example, the multidestination traffic:

- ingressing at Member Id 1 will be relayed to Member Id 2, Member Id 2 will further relay to Member Id 3, Member Id 3 will further relay to Member Id 4 which will not relay further. All the receiving Members will consume multi-destination traffic before relaying further.
- ingressing or sourced at Member 2 will take two forwarding paths:
 - Relay to Member Id 3 which will further relay to Member Id 4. Member Id 4 will consume and not relay further.
 - Relay to Member Id 1. Member Id 1 will consume and not relay further.

show vsf topology change-history

Syntax

```
show vsf topology <change-history>
```

Description

This command is used to display last 16 topology changes which occurred in the VSF stack and all topology transitions which occurred in recent history, along with details on which specific VSF member or link pair witnessed the state transitions.

Parameters

<change-history>

Show VSF stack topology changes.

Example output

```
Switch# show vsf topology change-history
Thu Apr 21 00:06:10 2017 : The link between Member 4, Link 2 and Member 3,
Link 2 went UP

Thu Apr 21 00:06:10 2017 : The link between Member 3, Link 2 and Member 4,
Link 2 went UP

Thu Apr 21 00:06:09 2017 : The link between Member 3, Link 1 and Member 2,
Link 1 went UP

Thu Apr 21 00:06:09 2017 : The link between Member 2, Link 1 and Member 3,
Link 1 went UP

Thu Apr 21 00:04:07 2017 : The link between Member 2, Link 2 and Member 1,
Link 2 went UP

Thu Apr 21 00:04:07 2017 : The link between Member 1, Link 2 and Member 2,
Link 2 went UP
```

show vsf lldp-mad

Syntax

```
show vsf lldp-mad {parameters|status}
```

Description

Display the VSF LLDP MAD (Multi-Active Detection) information.

Parameters

parameters

Displays the MAD-assist configuration as well as the readiness state.

status

Displays the current state of the MAD probe.

Example output

```
Switch# show vsf lldp-mad parameters

MAD device IP           : 134.1.5.29
MAD readiness status    : Success | Failure [21:49:45, 9/Jan/2015]
MAD device MAC          : 08:12:2b:40:44:3a
Reachable via Vlan      : 10
Local LAG interface     : TRK5
MAD-probe portset       : 1, 7, 23
LAG connectivity        : Full | Partial

Switch# show vsf lldp-mad status

MAD device IP           : 134.1.5.29
MAD probe portset       : 1, 7, 23

VSF split                : Yes | No
MAD probe originator     : Yes | No
Number of probe requests sent : 3
Number of probe responses received : 0
MAD Active Fragment      : Yes | No
```

show vsf vlan-mad

Syntax

```
show vsf vlan-mad
```

Description

Shows information for the VSF Multi-Active Detection (MAD) VLAN.

VLAN MAD Connectivity status:

full

All member VLAN MAD ports are connected to the MAD interconnect device.

partial

Atleast one member VLAN MAD port is connected to the MAD interconnect device.

none

None of the member VLAN MAD ports are connected to the MAD interconnect device.

Example output

```
Switch# show vsf vlan-mad
Multi-Active Detection VLAN status :

VLAN ID           : 30
VLAN NAME         : VLAN30
VLAN MAD Connectivity Status : Full

Port   Status   Member State
-----
1/17   Up        Commander
2/21   Up        Standby
```



```
3/21 Up Member
4/17 Up Member
```

If a MAD VLAN is not configured:

```
Switch(config)# show vsf vlan-mad
MAD VLAN is not configured
Switch(config)#
```

show vsf trunk-designated-forwarder

Syntax

```
show vsf trunk-designated-forwarder member <MEMBER-ID>
```

Description

Show the designated forwarders for each trunk.

Parameters

<MEMBER-ID>

The VSF member-ID for the member command or parameter. Member ID value can be in the range of 1 to 4.

Example

```
Switch# show vsf trunk-designated-forwarder member 1
```

Trunk Designated Forwarders

NAME	TYPE	Forwarding Member (Flood)	Forwarding Member (Unicast)
Trk1	TRK	2	1, 2
Trk2	TRK	3	3, 4

show cpu

Syntax

```
show cpu <SECONDS>
```

Description

Show average CPU utilization.

Usage

```
show cpu slot <SLOT-LIST> [<SECONDS>]
```

```
show cpu process [slot <SLOT-LIST>] [refresh <COUNT>]
```

Example output

```
Switch# show cpu slot all
```

```
VSF slot 1/a:
-----
12 percent busy, from 18 sec ago

1 sec ave: 14 percent busy
5 sec ave: 12 percent busy
1 min ave: 12 percent busy
VSF slot 1/f:
-----
16 percent busy, from 17 sec ago
1 sec ave: 27 percent busy
5 sec ave: 16 percent busy
```

```

1 min ave: 15 percent busy

VSF slot 2/a:
-----
12 percent busy, from 18 sec ago
1 sec ave: 14 percent busy
5 sec ave: 12 percent busy
1 min ave: 12 percent busy

VSF slot 2/f:
-----
16 percent busy, from 17 sec ago
1 sec ave: 27 percent busy
5 sec ave: 16 percent busy
1 min ave: 15 percent busy

```

```
Switch# show cpu slot 1/A
```

```

VSF slot 1/a:
-----
12 percent busy, from 18 sec ago
1 sec ave: 14 percent busy
5 sec ave: 12 percent busy
1 min ave: 12 percent busy

```

show power-over-ethernet

Syntax

```
show power-over-ethernet vsf member <MEMBER-ID>
```

Description

Show PoE information of specified VSF member.

Parameters

<MEMBER-ID>

The VSF member-ID for the member command or parameter. Member ID value can be in the range of 1 to 4.

Example

For show power-over-ethernet vsf member 4:

```

Switch# show power-over-ethernet vsf member 4

Status and Counters - System Power Status for member 4

Maximum Power      : 370 W           Operational Status  : On
Power In Use       : 0 W +/- 6 W     Usage Threshold (%) : 80

```

show system information

Syntax

```
show system information [vsf member <MEMBER-ID>]
```

Description

Show global configured and operational system parameters. If VSF is enabled, this shows the system information for all VSF members.

Parameters

<MEMBER-ID>

The VSF member-ID for the member command or parameter. Member ID value can be in the range from 1 to 4.

Example

```
Switch# show system information

Status and Counters - General System Information

System Name       : Switch
System Contact    :
System Location   :
MAC Age Time (sec) : 300
Time Zone         : 0
Daylight Time Rule : None

Software revision : WC.16.03.0005A
Base MAC Addr     : b05ada-968423

VSF-Member :1

ROM Version       : WC.16.01.0003
Up Time           : 4 mins
CPU Util (%)      : 0
MAC Addr          : b05ada-96a080
Serial Number     : TW5ZHKW029
Memory - Total    : 350,290,432
                  Free      : 262,604,456

VSF-Member :2

ROM Version       : WC.16.01.0003
Up Time           : 4 mins
CPU Util (%)      : 0
MAC Addr          : b05ada-968420
Serial Number     : CN65HKT02B
Memory - Total    : 350,290,432
                  Free      : 235,467,044

Memory - Total    : 350,290,432
                  Free      : 250,085,732

VSF-Member :4

ROM Version       : WC.16.01.0003
Up Time           : 3 mins
CPU Util (%)      : 0
MAC Addr          : b05ada-964640
Serial Number     : CN65HKW018
Memory - Total    : 350,290,432
                  Free      : 262,729,172
```

show system information vsf member

Syntax

```
show system information vsf member <MEMBER-ID>
```

Description

Show global configured and operational system parameters of the specified VSF members.

Parameters

<MEMBER-ID>

The VSF member-ID for the member command or parameter. Member ID value can be in the range of 1 to 4.

Example output

```
Switch# show system information vsf member 1

Status and Counters - General System Information
Daylight Time Rule : None

Software revision : WC.16.03.0005A
Base MAC Addr    : b05ada-968423

VSF-Member :1

ROM Version      : WC.16.01.0003
Up Time          : 4 mins
CPU Util (%)     : 0
MAC Addr         : b05ada-96a080
Serial Number    : TW5ZHKW029
Memory - Total   : 350,290,432
                 Free    : 262,604,456
```

```
=====
Switch# show system information vsf member 2

Status and Counters - General System Information
Daylight Time Rule : None

Software revision : WC.16.03.0005A
Base MAC Addr    : b05ada-968423

VSF-Member :2

ROM Version      : WC.16.01.0003
Up Time          : 5 mins
CPU Util (%)     : 0
MAC Addr         : b05ada-968420
Serial Number    : CN65HKT02B
Memory - Total   : 350,290,432
                 Free    : 235,369,964
```

```
=====
Switch# show system information vsf member 3

Status and Counters - General System Information
Daylight Time Rule : None

Software revision : WC.16.03.0005A
Base MAC Addr    : b05ada-968423
```

```
VSF-Member :3

ROM Version      : WC.16.01.0003
Up Time         : 5 mins
CPU Util (%)    : 2
MAC Addr       : b05ada-9694e0
Serial Number   : CN65HKT017
Memory - Total  : 350,290,432
Memory Free    : 249,987,056
```

```
=====
Switch# show system information vsf member 4
```

```
Status and Counters - General System Information
Time Zone           : 0
Daylight Time Rule : None

Software revision  : WC.16.03.0005A
Base MAC Addr     : b05ada-968423
```

```
VSF-Member :4

ROM Version      : WC.16.01.0003
Up Time         : 4 mins
CPU Util (%)    : 0
MAC Addr       : b05ada-964640
Serial Number   : CN65HKW018
Memory - Total  : 350,290,432
Memory Free    : 262,729,172
```

show system fans

Syntax

```
show system fans [vsf member <MEMBER-ID>]
```

Description

Show system fan status. If VSF is enabled, this shows the system fan status for all VSF members.

Parameters

<MEMBER-ID>

The VSF member-ID for the member command parameter. Member ID value can be in the range of 1 to 4.

Example output

```
Switch# show system fans
Fan Information

VSF-Member 1

  Num | State      | Failures
-----+-----+-----
Sys-1 | Fan OK    | 0
Sys-2 | Fan OK    | 0
Sys-3 | Fan OK    | 0
Sys-4 | Fan OK    | 0

0 / 4 Fans in Failure state
0 / 4 Fans have been in Failure state

VSF-Member 2
```

Num	State	Failures
Sys-1	Fan OK	0
Sys-2	Fan OK	0
Sys-3	Fan OK	0
Sys-4	Fan OK	0

0 / 4 Fans in Failure state
0 / 4 Fans have been in Failure state

VSF-Member 3

Num	State	Failures
Sys-1	Fan OK	0
Sys-2	Fan OK	0
Sys-3	Fan OK	0
Sys-4	Fan OK	0

0 / 4 Fans in Failure state
0 / 4 Fans have been in Failure state

```
Switch# show system fans vsf member 1
Fan Information
```

VSF-Member 1

Num	State	Failures
Sys-1	Fan OK	0
Sys-2	Fan OK	0
Sys-3	Fan OK	0
Sys-4	Fan OK	0

0 / 4 Fans in Failure state
0 / 4 Fans have been in Failure state

show system chassislocate

Syntax

```
show system chassislocate [vsf member <MEMBER-ID>]
```

Description

Show locator LED information. If VSF is enabled, this shows locator LED information for all the VSF members.

Parameters

<MEMBER-ID>

The VSF member-ID for the member command or parameter. Member ID value can be in the range of 1 to 4.

Example output

```
Switch# show system chassislocate
```

Locator LED Status

Member	Current State	Time Remaining	Configuration
1	off		

```
2      off
3      off
4      off
```

```
=====
show system chassislocate vsf member 3
```

```
Locator LED Status
```

Member	Current State	Time Remaining	Configuration
3	off		

show system power-supply

Description

Show chassis power supply information. If VSF is enabled, this shows power supply information for all the VSF members.

Example output

```
Switch(config)# show system power-supply
```

```
Power Supply Status:
```

VSF Member	PS#	Model	Serial	State	AC/DC	+ V	Wattage
4	1	Not Avail	Not Avail	Powered	AC	120V/240V	500

```
Switch(config)# show system power-supply
```

show uptime

Syntax

```
show uptime [vsf member <MEMBER-ID>]
```

Description

Display the elapsed time since the last boot of the specified member.

Parameters

<MEMBER-ID>

The VSF member-ID for the member command or parameter. Member ID value can be in the range of 1 to 4.

Example output

```
Switch(config)# show uptime vsf member 4
VSF Member 4
0d 4h 5m
```

Support commands

copy core-dump

Copy core-dump from the specified VSF member. User can copy available core-dump file from interface module or management module.

Syntax

```
copy core-dump vsf member <MEMBER-ID> <SLOT-ID> | mm-active sftp | tftp | usb |  
xmodem <HOST-NAME-STR> | <IP-ADDR> | <IPV6-ADDR> <FILENAME-STR>
```

Description

The VSF member-ID for the member command or parameter. Member ID value can be in the range from 1 to 4.

Parameters

<MEMBER-ID>

Specify the VSF member.

<SLOT-ID>

Copy interface module core-dump file.

copy fdr-log

Copy FDR (Flight data recorder) logs. User can either copy from management module or interface module or both.

Syntax

```
copy fdr-log vsf member <MEMBER-ID> all | mm-active sftp | tftp | usb | xmodem <HOST-NAME-STR> | <IP-ADDR> | <IPV6-ADDR> <FILENAME-STR>
```

Description

Copy FDR logs from the switch to an SFTP/TFTP server, USB or xmodem terminal.

Parameters

<MEMBER-ID>

The VSF member-ID for the member command or parameter. Member ID value can be in the range from 1 to 4.

copy crash-log

Syntax

```
copy crash-log vsf member <MEMBER-ID> | <SLOT-ID-RANGE> | mm | sftp | tftp | usb |  
xmodem sftp | tftp | usb | xmodem <HOST-NAME-STR> | <IP-ADDR> | <IPV6-ADDR>  
<FILENAME-STR>
```

Description

Copy the switch log file.

Parameters

<MEMBER-ID>

The VSF member-ID for the member command or parameter. Member ID value can be in the range from 1 to 4.

<SLOT-ID-RANGE>

Enter the single slot identifier.

copy crash-data

Copy the crash data file of the switch.

Syntax

```
copy crash-data vsf member <MEMBER-ID> <SLOT-ID-RANGE> | mm | sftp | tftp | usb |  
xmodem sftp | tftp | usb | xmodem <HOST-NAME-STR> | <IP-ADDR> | <IPV6-ADDR>  
<FILENAME-STR>
```

Description

Copy the switch crash data file.

Parameters

<MEMBER-ID>

The VSF member-ID for the member command or parameter. Member ID value can be in the range from 1 to 4.

<SLOT-ID-RANGE>

Enter the single slot identifier.

show boot-history

Syntax

```
show boot-history [vsf member <MEMBER-ID>]
```

Description

Display the system boot log for VSF.

Parameters

<MEMBER-ID>

The VSF member-ID for the member command or parameter. Member ID value can be in the range from 1 to 4.

core-dump

Enable/disable core-dump for the specified member. User can enable/disable core-dump for interface modules or management module.

Syntax

```
core-dump interfaces | management-module | vsf | tftp-server member <MEMBER-ID> interfaces | management-module
```

Description

Enable/disable core-dump on the management module or the interface module.

Parameters

interfaces

Enable/disable core dump on all the interfaces.

management-module

Enable/disable core-dump on the management module.

tftp-server

Address of the auto TFTP server to which the files will be uploaded.

<MEMBER-ID>

The VSF member-ID for the member command or parameter. Member ID value can be in the range from 1 to 4.

erase fdr-log vsf

Erase FDR log from the specified member.

Syntax

```
erase fdr-log [vsf member <MEMBER-ID>] [slot | mm-active]
```

Description

Erase the FDR log files.

Parameters

<MEMBER-ID>

The VSF member-ID for the member command or parameter. Member ID value can be in the range from 1 to 4.

copy crash-files

Syntax

```
copy crash-files vsf member <MEMBER-ID> [<SLOT-ID-RANGE> | mm-active sftp | tftp |  
usb | xmodem] <HOST-NAME-STR> | <IP-ADDR> | <IPV6-ADDR> <FILENAME-STR>
```

Description

Copy the switch crash files from the specific VSF member

Parameters

mm-active

Copy active management module crash files.

<MEMBER-ID>

The VSF member-ID for the member command or parameter. Member ID value can be in the range from 1 to 4.

<SLOT-ID-RANGE>

Enter single slot identifier.

Usage

```
Switch(config)# copy crash-files vsf member
```

```
Switch(config)# copy crash-files vsf member 1
```

VSF configuration

There are two methods to configure VSF for a switch:

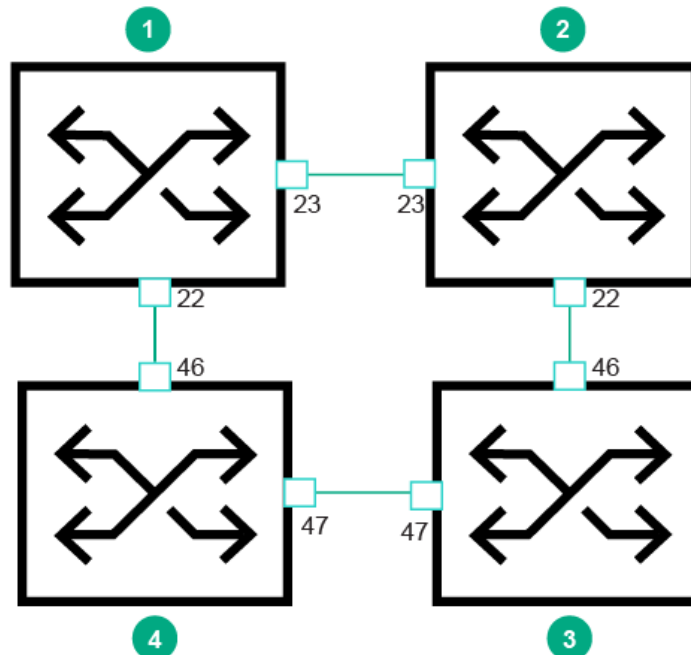
- Manual configuration. See [Manual configuration of a VSF](#).
- Automatic configuration. See [Automatic configuration of a VSF](#).

Manual configuration of a VSF

Prerequisites

Manual configuration of a VSF requires the user to individually configure every switch in the stack, and enable VSF on each switch independently. This process provides the best control for the user to configure VSF member number, priority, and VSF links.

Figure 137: A four-member ring setup



Procedure

1. To form a four-member ring setup as shown above, do not make the connections initially.

The ports on each switch are ethernet ports, and connecting as described will create a network loop. The ports should be connected only after each device is fully configured.

2. Log in to the first device, numbered **1**. This is configured as VSF stack member 1.

- a. At the prompt, enter the following commands:

```
Switch# configure
Switch(config)# vsf member 1 priority 200
Switch(config)# vsf member 1 link 1 22
All configuration on this port has been removed and port is placed in VSF mode.
Switch(config)# vsf member 1 link 2 23
All configuration on this port has been removed and port is placed in VSF mode.
Switch(config)# vsf enable domain 5472
To enable VSF, the REST interface will be disabled.
This will save the current configuration and reboot the switch.
Continue (y/n)? y
```

- b. The above sequence of commands will configure the switch as member 1, with priority 200. The ports 22 and 23 are configured on VSF links 1 and 2 respectively. Finally, VSF is enabled. The domain must be specified while enabling VSF. Two switches will form a stack only if they have the same domain ID. For the

MAD protocols to work effectively, it is recommended for each VSF stack in a network to have unique domain IDs.

3. Log in to the second device, numbered **2**. This is configured as VSF member 2.

- a. At the prompt, enter the following commands:

```
Switch# configure
Switch(config)# vsf member 2 priority 150
Switch(config)# vsf member 2 link 1 22
All configuration on this port has been removed and port is placed in VSF mode.
Switch(config)# vsf member 2 link 2 23
All configuration on this port has been removed and port is placed in VSF mode.
Switch(config)# vsf enable domain 5472
To enable VSF, the REST interface will be disabled.
This will save the current configuration and reboot the switch.
Continue (y/n)? y
```

- b. The above sequence of commands will configure the switch as member 2, with priority 150. A switch with higher priority has a higher chance of becoming commander on the next boot.

4. Log in to the third and fourth devices (configured as members **3** and **4** respectively).

- a. Enter the following commands on device 3:

```
Switch# configure
Switch(config)# vsf member 3 priority 100
Switch(config)# vsf member 3 link 1 46
All configuration on this port has been removed and port is placed in VSF mode.
Switch(config)# vsf member 3 link 2 47
All configuration on this port has been removed and port is placed in VSF mode.
Switch(config)# vsf enable domain 5472
To enable VSF, the REST interface will be disabled.
This will save the current configuration and reboot the switch.
Continue (y/n)? y
```

- b. Enter the following commands on device 4:

```
Switch# configure
Switch(config)# vsf member 4 priority 100
Switch(config)# vsf member 4 link 1 46
All configuration on this port has been removed and port is placed in VSF mode.
Switch(config)# vsf member 4 link 2 47
All configuration on this port has been removed and port is placed in VSF mode.
Switch(config)# vsf enable domain 5472
To enable VSF, the REST interface will be disabled.
This will save the current configuration and reboot the switch.
Continue (y/n)? y
```

Both the switches have priority set to 100, and have ports 46 and 47 on VSF links 1 & 2 respectively. All four switches have been configured to use the same domain ID: 5472.

5. Connect the switches together as shown, upon configuration completion. The stack forms once the cables are connected. Multiple reboots of the switch may occur since the switch roles change when connected together. To prevent this, the user can power off all switches, connect the cables, and power on together. The stack will form directly.
6. The final VSF stack configuration after the stack formation is:

```
Switch# show vsf
VSF Domain ID      : 5472
MAC Address       : b05ada-961103
VSF Topology      : Ring
VSF Status        : Active
Uptime            : 0d 2h 26m
VSF MAD           : None
VSF Port Speed    : 1G
Software Version  : WC.16.03.0000x
```

Member	ID	MAC Address	Model	Pri	Status
1	b05ada-961100	Aruba JL253A 2930F-24G-4SFP+ Switch	200	Commander	
*2	b05ada-9721c0	Aruba JL260A 2930F-48G-4SFP Switch	150	Standby	
3	b05ada-972200	Aruba JL254A 2930F-48G-4SFP+ Switch	100	Member	
4	b05ada-96f080	Aruba JL259A 2930F-24G-4SFP Switch	100	Member	

This indicates a four-member VSF stack, with domain ID 5472. The stack topology is currently a ring, and the stack interconnect ports are of 1G speed. The user is connected to the console of member 2.

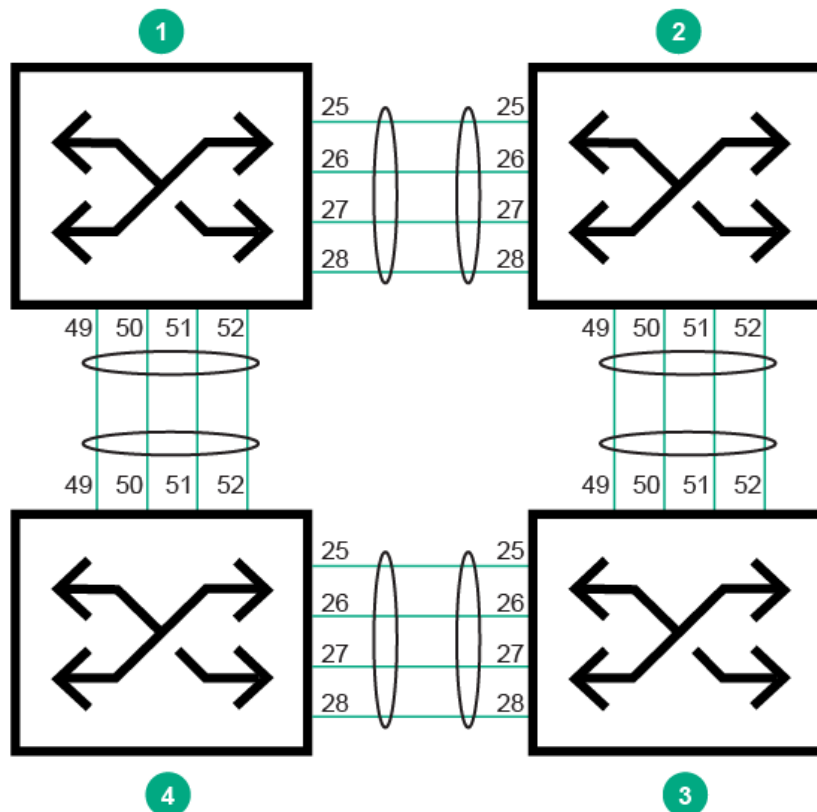


The user can alternatively add a port to a VSF link keeping it in disabled state using `vsf member 1 link 1 22 start-disabled` command. This is helpful when the user wants to keep the VSF ports disabled, make the connections, and then enable them back. However, VSF ports on each member have to be individually enabled for the stack formation.

Manual configuration with multiple ports bundled in a VSF link

In manual configuration of a switch with multiple ports bundled in a VSF link, up to eight VSF ports can be aggregated in a single VSF link. This creates a load-balanced aggregate VSF connection with redundancy.

Figure 138: Manual configuration with multiple ports bundled in a VSF link



Procedure

1. Log in to the second device. This will be configured as VSF member 2. At the prompt, enter the following commands:

```
Switch# configure
Switch(config)# vsf member 2 priority 150
Switch(config)# vsf member 2 link 1 25-28 start-disabled
All configuration on this port has been removed and port is placed in VSF mode.
Switch(config)# vsf member 2 link 2 49-52 start-disabled
All configuration on this port has been removed and port is placed in VSF mode.
Switch(config)# vsf enable domain 5472
To enable VSF, the REST interface will be disabled.
This will save the current configuration and reboot the switch.
Continue (y/n)? y
```

2. Log in to the third device and fourth devices. These will be configured as members 3 and 4 respectively. Enter the following commands on device 3:

```
Switch# configure
Switch(config)# vsf member 3 priority 100
Switch(config)# vsf member 3 link 1 25-28 start-disabled
All configuration on this port has been removed and port is placed in VSF mode.
Switch(config)# vsf member 3 link 2 49-52 start-disabled
```

```
All configuration on this port has been removed and port is placed in VSF mode.
Switch(config)# vsf enable domain 5472
To enable VSF, the REST interface will be disabled.
This will save the current configuration and reboot the switch.
Continue (y/n)? y
```

Enter the following commands on device 4:

```
Switch# configure
Switch(config)# vsf member 4 priority 100
Switch(config)# vsf member 4 link 1 25-28 start-disabled
All configuration on this port has been removed and port is placed in VSF mode.
Switch(config)# vsf member 4 link 2 49-52 start-disabled
All configuration on this port has been removed and port is placed in VSF mode.
Switch(config)# vsf enable domain 5472
To enable VSF, the REST interface will be disabled.
This will save the current configuration and reboot the switch.
Continue (y/n)? y
```

- By now, each switch is booted as an individual commander. Enable VSF ports for each VSF link on all switches separately for the stack formation:

```
Switch(config)# show vsf
VSF Domain ID      : 5472
MAC Address        : b05ada-961103
VSF Topology       : No Stack Formed
VSF Status         : Active
Uptime             : 0d 2h 26m
VSF MAD            : None
VSF Port Speed     : 1G
Software Version   : WC.16.03.0000x
```

```
Mbr
ID  MAC Address      Model                                     Pri Status
---  -
*1  b05ada-961100    Aruba JL253A 2930F-24G-4SFP+ Switch      200 Commander
```

```
Switch(config)# interface 1/25-1/28,1/49-1/52 enable
```

```
Switch(config)# show vsf
VSF Domain ID      : 5472
MAC Address        : b05ada-9721c0
VSF Topology       : No Stack Formed
VSF Status         : Active
Uptime             : 0d 2h 26m
VSF MAD            : None
VSF Port Speed     : 1G
Software Version   : WC.16.03.0000x
```

```
Mbr
ID  MAC Address      Model                                     Pri Status
---  -
*2  b05ada-9721c0    Aruba JL260A 2930F-48G-4SFP Switch      150 Commander
```

```
Switch(config)# interface 2/25-2/28,2/49-2/52 enable
```

```
Switch(config)# show vsf
VSF Domain ID      : 5472
MAC Address        : b05ada-972200
VSF Topology       : No Stack Formed
VSF Status         : Active
Uptime             : 0d 2h 26m
VSF MAD            : None
VSF Port Speed     : 1G
```

```
Software Version : WC.16.03.0000x
```

```
Mbr
ID  MAC Address      Model
-----
*3  b05ada-972200     Aruba JL254A 2930F-48G-4SFP+ Switch  100 Commander
```

```
Switch(config)# interface 3/25-3/28,3/49-3/52 enable
```

```
Switch(config)# show vsf
VSF Domain ID      : 5472
MAC Address        : b05ada-96f080
VSF Topology       : No Stack Formed
VSF Status         : Active
Uptime             : 0d 2h 26m
VSF MAD            : None
VSF Port Speed     : 1G
Software Version   : WC.16.03.0000x
```

```
Mbr
ID  MAC Address      Model
-----
*4  b05ada-96f080     Aruba JL259A 2930F-24G-4SFP Switch  100 Commander
```

```
Switch(config)# interface 4/25-4/28,4/49-4/52 enable
```

4. Once the interfaces are enabled, the stack is formed. This may result in multiple reboots of switches, since their roles will change when connected together.

Automatic configuration of a VSF fabric

Automatic configuration of a VSF is simpler than the manual configuration, as it only requires the user to log in and configure one switch. The other switches automatically get their configurations from the first switch, but only if the switches are in factory default state. Automatic configuration is not supported on switches that have been previously deployed, or have had any configuration change made to them, over either CLI, web, or SNMP. A switch may be restored to factory default state by using the CLI command `erase startup-configuration` command.

1. Do not connect the ports initially. Since the ports are ethernet ports, connecting them in a ring topology can cause loops. Note down the J-number & MAC address of each switch. The J-number is available on the front panel of the switch while the MAC address is available on the back panel of the switch.
2. Connect to the console of the member intended to be the commander (member 1 in this example). Execute the following commands to enable VSF on the member:

```
Switch# configure
Switch(config)# vsf member 1 priority 200
Switch(config)# vsf member 1 link 1 22
All configuration on this port has been removed and port is placed in VSF mode.
Switch(config)# vsf member 1 link 2 23
All configuration on this port has been removed and port is placed in VSF mode.
Switch(config)# vsf enable domain 3144
To enable VSF, the REST interface will be disabled.
This will save the current configuration and reboot the switch.
Continue (y/n)? y
```

The above sequence of commands will configure the switch as member 1, with priority 200. The ports 22 and 23 are configured on VSF links 1 and 2 respectively. VSF is now enabled. The domain must be specified while enabling VSF. It is recommended for each VSF stack in a network to have unique domain IDs, for the MAD protocols to work effectively.

3. Upon reboot, the switch is a one-member stack. Execute the `show vsf` command:

```
Switch# show vsf
VSF Domain ID      : 3144
MAC Address        : b05ada-961103
VSF Topology       : No Stack Formed
VSF Status         : Active
Uptime             : 0d 3h 22m
VSF MAD            : None
VSF Port Speed     : 1G
Software Version   : WC.16.03.0000x

Mbr
ID  MAC Address      Model
-----
*1  b05ada-961100    Aruba JL253A 2930F-24G-4SFP+ Switch 200 Commander
```

4. Provision the configuration for each of the other switches. Provisioning allows the user to specify the type of each switch in the stack. Once provisioned, the user can make configuration changes on ports of the switch. When the switch joins the stack, it will automatically get any configuration made. Provision member 2:

```
Switch# configure
Switch(config)# vsf member 2 type JL260A mac-address b05ada-9721c0
This will save the current configuration. Continue (y/n)? y

Warning - The link and port should be provisioned for member 2 to
join the VSF stack.

Switch(config)# vsf member 2 priority 150
Switch(config)# vsf member 2 link 1 2/22
All configuration on this port has been removed and port is placed in VSF mode.
Switch(config)# vsf member 2 link 2 2/23
All configuration on this port has been removed and port is placed in VSF mode.
Switch(config)#
```

The member number, switch type, and mac address are specified first. Once this command is executed, the ports of the switch are now available to be configured, as 2/1, 2/2 etc. The links of member 2 are also provisioned, using ports 2/22 and 2/23 on links 1 & 2 respectively. The provisioned switch also shows up in the stack configuration:

```
Switch# show vsf
VSF Domain ID      : 3144
MAC Address        : b05ada-961103
VSF Topology       : No Stack Formed
VSF Status         : Active
Uptime             : 0d 3h 22m
VSF MAD            : None
VSF Port Speed     : 1G
Software Version   : WC.16.03.0000x

Mbr
ID  MAC Address      Model
-----
*1  b05ada-961100    Aruba JL253A 2930F-24G-4SFP+ Switch 200 Commander
 2  b05ada-9721c0    Aruba JL260A 2930F-48G-4SFP Switch 150 Provisioned
```

5. The same procedure is repeated to provision switches 3 & 4 too. Enter the following commands on the console to continue configuring and provisioning switches 3 & 4:

```
Switch(config)# vsf member 3 type JL254A mac-address b05ada-972200
This will save the current configuration. Continue (y/n)? y
```

Warning - The link and port should be provisioned for member 3 to join the VSF stack.

```
Switch(config)# vsf member 3 link 1 3/46
All configuration on this port has been removed and port is placed in VSF mode.
Switch(config)# vsf member 3 link 2 3/47
All configuration on this port has been removed and port is placed in VSF mode.
Switch(config)# vsf member 4 type JL259A mac-address b05ada-96f080
This will save the current configuration. Continue (y/n)? y
```

Warning - The link and port should be provisioned for member 4 to join the VSF stack.

```
Switch(config)# vsf member 4 link 1 4/46
All configuration on this port has been removed and port is placed in VSF mode.
Switch(config)# vsf member 4 link 2 4/47
All configuration on this port has been removed and port is placed in VSF mode.
```

The provisioned switch also shows up in the stack configuration:

```
Switch# show vsf
```

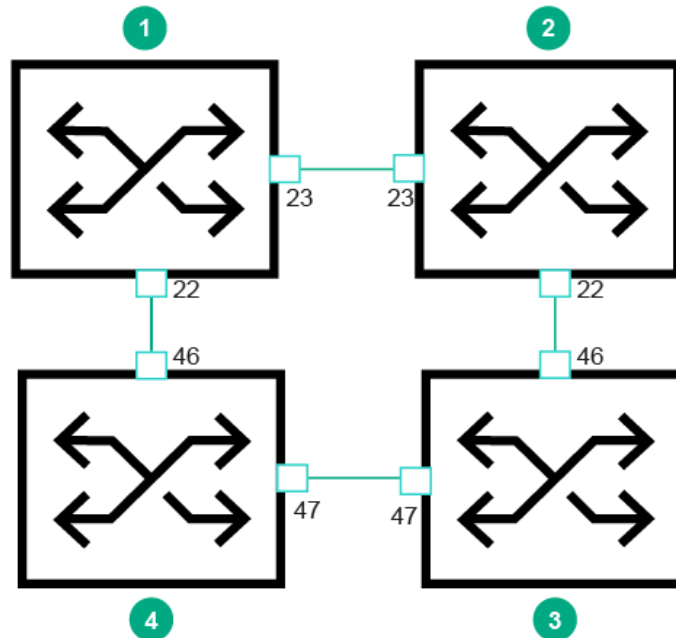
```
VSF Domain ID      : 3144
MAC Address        : b05ada-961103
VSF Topology       : No Stack Formed
VSF Status         : Active
Uptime             : 0d 3h 22m
VSF MAD            : None
VSF Port Speed     : 1G
Software Version   : WC.16.03.0000x
```

```
Mbr
```

ID	MAC Address	Model	Pri	Status
*1	b05ada-961100	Aruba JL253A 2930F-24G-4SFP+ Switch	200	Commander
2	b05ada-9721c0	Aruba JL260A 2930F-48G-4SFP Switch	150	Provisioned

3	b05ada-972200	Aruba	JL254A	2930F-48G-4SFP+	Switch	128	Provisioned
4	b05ada-96f080	Aruba	JL259A	2930F-24G-4SFP	Switch	128	Provisioned

6. All switches can be now interconnected and powered on. Connect all the switches as shown:



Procedure

- Power on the switches after the connections have been made.
- Each of the three switches in factory-default configuration will boot up normally, as a standalone switch.
- The VSF enabled switch will push down the VSF configuration information to the other switches over the VSF link ports.
- Since switches 2 and 4 are the directly connected switches, they will receive their configuration first, and reboot.
- This procedure takes between 30 seconds to 1 minute after booting up.
- Once switches 2 & 4 have joined the stack, they push the VSF configuration on to switch 3.
- Switch 3 will reboot last, and join the stack.
- The final stack configuration will now include all switches.

```

Switch# show vsf
Vsf Domain ID      : 3144
MAC Address        : b05ada-961103
Vsf Topology       : Ring
Vsf Status         : Active
Uptime             : 0d 3h 22m
Vsf MAD            : None
Vsf Port Speed     : 1G
Software Version   : WC.16.03.0000x
  
```

```

Mbr
ID  MAC Address      Model                               Pri  Status
-----
  
```

*1	b05ada-961100	Aruba	JL253A	2930F-24G-4SFP+	Switch	200	Commander
2	b05ada-9721c0	Aruba	JL260A	2930F-48G-4SFP	Switch	150	Standby
3	b05ada-972200	Aruba	JL254A	2930F-48G-4SFP+	Switch	128	Member
4	b05ada-96f080	Aruba	JL259A	2930F-24G-4SFP	Switch	128	Member



In this scenario, specifying the MAC address of each provisioned switch is optional. If the MAC address is not specified, the switch is termed a loose-provisioned switch. When the commander configures a switch connected on a VSF link port, it will find the first provisioned switch which matches the J-number, and push the configuration to the connected switch.

Port speed

The 2930 switches support only one port speed across all VSF ports in the stack. This port speed is configurable, and is initially set automatically to the highest speed capable by the first VSF port that is configured.

Users can add ports of any speed to a VSF link. Only ports which match the configured VSF port speed will link up in the VSF stack. Ports which do not match the VSF port speed will be in an error state, stating port speed mismatch. This new feature allows users to migrate a stack based on 1G interconnects to a stack based on 10G interconnects, and vice-versa, without having to reform the VSF stack from the beginning. The migration procedure from 1G interconnects to 10G interconnects is:

In a stack with 1G interconnects, the user simply adds the 10G ports to each link. These ports should also be physically interconnected, but they will not link up. Once all the configuration is complete and the interconnections are made, the user changes the port speed using the command `vsf port-speed 10g`. This triggers a reboot of the stack, and once the stack is reformed, it uses the configured 10G ports while the 1G ports will be in error state. The 1G ports can now be disconnected and unconfigured.



In the case of transceiver ports, the speed is determined by the bay type. An SFP+ bay, if configured, will set port speed to 10G. If an SFP transceiver is inserted into the bay, it will not link up and be in error state.

VSF port LED front panel

On enabling the VSF link ports, the LED flashes solid orange state in the front panel. The user can recognize and connect the VSF link ports. Solid orange LED state indicates:

- Port is reserved.
- Port is reserved but disabled.
- Port is reserved and not linked up. The port LED starts showing activity by flashing green when it links up to the partner port, and successfully forms the VSF stack.

Selecting **Usr** in the front panel displays stack member information. For example:

- Port1 LED indicates status of Stack Member 1.
- Port2 LED indicates status of Stack Member 2.

Table 36: Mode LED states and indication

LED States	Indication
Slow flash green	Stack member number of the displaying chassis
Fast flash green	Stack member number of the commander chassis.
On orange	Stack member is faulty or in a booting condition.
Off	Stack member does not exist in the stack.

VSF port LEDs

Table 37: VSF port LEDs

Global Status LED	Mode LED Usr	Port LED	Diagnostic tips
Solid green	Solid green	Solid orange	See LED 1 and LED 2 display solid green color, whereas, LED 3 displays solid orange on page 734
Slow flash orange	Solid green	Slow flash green-Member Fast flash green-Commander Solid green-Member with good stacking connection Slow flash orange-Member with poor stacking connection	See LED 1 displays slow flash orange, LED 2 displays solid green, whereas, LED 3 displays different colors on page 734
Slow flash orange	Solid green	Slow flash green-Member Fast flash green-Commander Slow flash orange-Member in another fragment	See LED 1 displays slow flash orange and LED 2 displays solid green color, whereas, LED 3 displays different colors on page 735
Solid green	Solid green	Slow flash green-Member Fast flash green-Commander	See LED 1 and LED 2 display solid green, whereas, LED 3 displays different colors on page 735
Solid green	Solid green	Slow flash green-Member Fast flash green-Commander	See LED 1 and LED 2 display solid green, whereas, LED 3 displays different colors on page 735

Diagnostic tips for stacking error

LED 1 and LED 2 display solid green color, whereas, LED 3 displays solid orange

Symptom

LED 1 and LED 2 display solid green color, whereas, LED 3 is off. ¹

¹ LED 1 is Global Status LED, LED 2 is Mode LED Usr, and LED 3 is Port LED.

Cause

Stacking is disabled on the switch. The member is unreachable or booting.

Action

1. Connect a console cable to the switch and establish a console session.
2. Enter `vsf enable domain <ID>` from the CLI config context.
3. Recheck the switch LEDs:
Stacking port LED is back to solid green. Port LED in user mode is green.

LED 1 displays slow flash orange, LED 2 displays solid green, whereas, LED 3 displays different colors

Symptom

LED 1 displays slow flash orange and LED 2 displays solid green. LED 3 displays slow flash green, fast flash green, slow flash orange, or solid green.¹

¹ LED 1 is Global Status LED, LED 2 is Mode LED Usr, and LED 3 is Port LED.

Solution 1

Cause

The interface cable is connected to the VSF port on which the link LED is blinking.

Action

1. Make sure that the stacking cable is fully connected at both ends of the link.
2. If an equipment failure has occurred, see the LEDs on the device at the other end of the connection.

Solution 2

Cause

A stacking link failure has occurred on a link that was functioning:

- The switch at the other end of the VSF port cable has been powered off.
- The stacking feature is disabled on the switch at the other end of the VSF port cable.
- The cable is faulty.

Action

1. If this error occurred on an operational stack, it could result in changes to the stack configuration. This can include election of a new stack commander and possibly a new standby. Ensure that the correct set of supported cabling is used for installed transceivers or RJ45 fixed port.
2. See the Stack Management chapter in the 2930F *Advance Traffic Management Guide* for more information. Contact your Hewlett Packard Enterprise authorized network reseller, or use the electronic support services from Hewlett Packard Enterprise to get assistance. See www.hpe.com/support/hpesc.

LED 1 displays slow flash orange and LED 2 displays solid green color, whereas, LED 3 displays different colors

Symptom

LED 1 displays slow flash orange and LED 2 displays solid green color. LED 3 displays slow flash green, fast flash green, or slow flash orange.¹

¹ LED 1 is Global Status LED, LED 2 is Mode LED Usr, and LED 3 is Port LED.

Cause

A stack link failure has occurred in a chain topology and multiple stack fragments have been created. Each fragment will elect a Commander, so there will be multiple switches with the Cmd LED on.

Action

1. Repair the cause of the stack link failure.
2. Reconnect the switches in their original topology so that the switches can reform the original stack.

LED 1 and LED 2 display solid green, whereas, LED 3 displays different colors

Symptom

LED 1 and LED 2 display solid green, whereas, LED 3 displays slow flash green and fast flash green.¹

¹ LED 1 is Global Status LED, LED 2 is Mode LED Usr, and LED 3 is Port LED.

Cause

Merging two stacks that have different stack IDs which were not previously part of the same stack.

Action

1. Select one of the stacks as the one to retain.
2. Erase the stacking configuration for each switch in the other stack by issuing `stacking factory-reset` at the config level. The startup configuration for each switch is erased, including the stacking configuration.
3. Add the switches to the stack as described in the Stack Management chapter of the *ArubaOS-Switch Advanced Traffic Management Guide K/KA/KB.16.01*.

Locating LED behavior in stacking system

Table 38: Locating LED behavior in stacking system

Switch LED	State	Meaning
Locator(blue) Standalone commander ChassisLocate On Off Blink	On-Blinking-Off	The Locator LED is used to identify a specific switch in the network equipment installation. The LED can be set to Solid or Blink, and for a specified number of minutes (1-1440). Default: 30 minutes. Use <code>chassislocate</code> command to control this LED.
Locator in 4 member stack Locating specific stacking Member Chassis Locate Member <No> On Off Blink	On-Blinking-Off	Locator LED is used to locate specific stacking member in stacking.
Locator in 4 member stack Global command to locate all the members in stack. ChassisLocate On Off Blink	On-Blinking-Off	Locator LED is used to locate specific stacking member in stacking.
Locator behavior in various member states	Standby rebooting in the middle of locate LED duration.	After bootup, standby indicates Locator, if it was indicating before reboot.
	Member rebooting in the middle of locate LED duration.	After bootup, member indicates Locator, if it was indicating before reboot.
	Member removed in the middle of locate LED duration.	After member is removed, it boots up as standalone member and does not indicate Locator LED.
	Stack split and merge	Locate LED indication is restored once merged back into stack.



Unsupported XCVR behavior

When unsupported transceiver is installed or hotswapped on the VSF reserved port, it flashes slow orange, indicating that the transceiver has failed validation

Port or Link LED behavior

When VSF is reserved, it flashes solid orange, indicating port state as reserved, but moves on to flash green, showing activity when linked up successfully.

Mode LED set to PoE on VSF enabled Port

PoE is disabled by default on VSF port, hence it indicates slow flash orange on VSF port when POE mode LED is selected.

VSF restrictions

- VSF is mutually exclusive with distributed trunking, mesh, and Q-in-Q.
- VSF port restrictions:
 - Must be 10Gbps/1Gbps.
 - A VSF link can only comprise ports with the same speed; either all 10G or all 1G. A VSF port's speed which does not match with the global port speed, will be in a down state. The command `show vsf link detail` will display an error message.
 - Maximum eight ports can be configured on one VSF link.
 - VSF ports must be directly connected and there should be no transit devices between members.
- In a VSF virtual chassis, flow-control is not supported between ports on different chassis across VSF links.
- A VSF stack downgrade is not allowed if we try to downgrade a 2930 VSF stack to a 16.02 image.

VSF Use Cases

Use Case 1: Multiple Active Detection

What is MAD?

Multiple Active Detection (MAD) is a protection mechanism against the fallout of a VSF stack split. A stack split occurs when there is a connectivity failure between the two stack switches. The simplest protection against connectivity failure is to have multiple redundant ports in the VSF link.

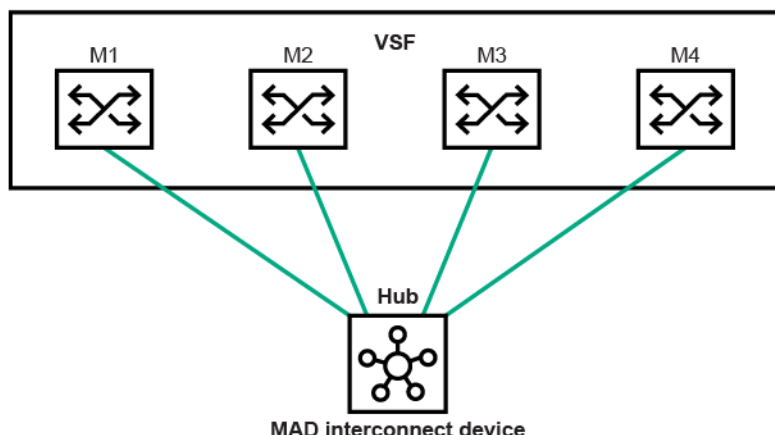
The two switches operate in a “split-brain” scenario. Both split fragments cannot talk to each other and are forwarding traffic, but:

- they have the same MAC address,
- they have the same IP addresses on all VLANs, and
- depending on the deployment, they are likely to be connected to same uplink/downlink switches through a link-aggregation.

A MAD protocol must be enabled to prevent network-wide issues that a stack split can cause. MAD protocols attempt to detect the presence of the other stack fragment. If detected, the goal of MAD is to keep only one stack

fragment up. The other stack fragment is brought down (all switch ports are disabled). This prevents issues caused by duplicate IP addresses and/or duplicate MAC address.

Figure 139: MAD interconnect device

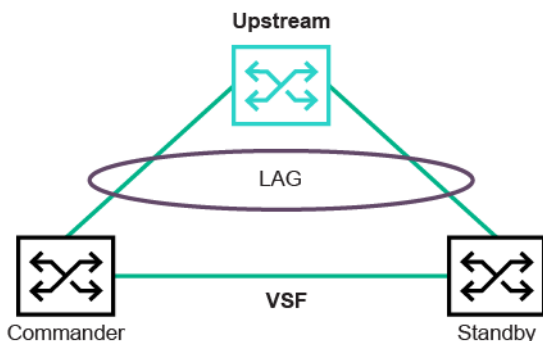


Once a MAD decision has been accepted and the active member is determined, the member remains in the current state until the VSF fabric has been repaired.

LLDP MAD

LLDP-MAD is used to detect multiple-active VSF fragments. This protocol is not supported for more than 2–member stacking switches. When a VSF fabric existing between an active and a standby member fails, LLDP-MAD determines whether multiple active topology is in place. If LLDP-MAD is configured and a VSF split occurs, one of the VSF members will become inactive, which disables the non-VSF frontplane ports. This ensures that only one of the members will be actively forwarding traffic.

Figure 140: LLDP-MAD



MAD readiness check

The MAD assist device must be connected over a LACP trunk interface to the VSF device. Once you configure the IP address of a MAD assist device, the VSF switch will perform a MAD readiness check to determine:

- If the MAD assist device is reachable.
- If a trunk interface is used to reach the device.
- If the trunk state is up.

If the above three conditions are not met, MAD will fail to detect dual active fragments during a VSF split. This error will create a log message.



The MAD readiness check is repeated periodically. If MAD-probe parameters have changed, an appropriate message will be logged.

VLAN MAD

MAD VLAN can be used for management. Switches which support VSF and do not have OOBM ports, use front-plane ports to detect active stack fragments upon split. One port from each member of the stack should be part of a MAD VLAN and it should be connected to MAD interconnect device in the same network. MAD VLAN can be used for the purpose of management like telnet and SSH. The front-plane ports of switches which support only VSF will be part of one VLAN called MAD VLAN.

Limitations of VLAN MAD

- Any other protocol which may alter the functionality of VLAN MAD should not be enabled on VLAN MAD.
- Proper functionality of VLAN MAD cannot be ensured when there is more than one failure.
- Only one port per member can be assigned to the VLAN MAD.
- A source port filter cannot be configured on a port that is a member of the VLAN MAD.
- VLAN MAD cannot be configured on a VLAN that has source port filter enabled member ports.
- Trunk ports cannot be assigned to the VLAN MAD.
- The default VLAN cannot also be the VLAN MAD.
- GVRP cannot be configured on VLAN MAD member ports. Use the interface level `unknown-vlans` command to disable GVRP in ports.
- MVRP cannot be enabled on VLAN MAD member ports.
- VLAN MAD cannot be configured when multicast filter is enabled for MAC address 0x00, 0x12, 0x79, 0x4a, 0xd5, and 0x82.
- LACP enabled port cannot be part of the MAD VLAN.
- BPDU filtering cannot be disabled on MAD VLAN ports.

Use Case 2: Replacing a switch in a stack

A stack maintains the MAC address of all member switches in its configuration. This is to enable the stack to reform quickly upon reboot. In the event a failed switch needs to be replaced in the stack, the replacement switch will be considered as a new switch joining the stack, and will be assigned an unused member and a default configuration.

```
Switch# show vsf
VSF Domain ID      : 164423
MAC Address        : b05ada-96f043
VSF Topology       : Chain
VSF Status         : Fragment Active
Uptime             : 0d 10h 30m
VSF MAD            : None
VSF Port Speed     : 1G
Software Version   : WC.16.03.0003
```

```
Mbr
ID  MAC Address      Model                               Pri Status
---
```

1	b05ada-962160	Aruba JL253A 2930F-24G-4SFP+ Switch	128	Missing
*2	b05ada-96f040	Aruba JL253A 2930F-24G-4SFP+ Switch	250	Commander
3	b05ada-973680	Aruba JL262A 2930F-48G-PoE+-4SFP Sw...	250	Standby
4	b05ada-963860	Aruba JL261A 2930F-24G-PoE+-4SFP Sw...	128	Member

In the above stack, member 1 has failed, and needs to be replaced. A replacement switch with the same model number (JL253A) will not take on the role of the switch it replaced, because the MAC address of the replacement switch will be different from the switch that it replaces.

To enable the configuration to assimilate the replacement switch as member 1 in the stack, the MAC address needs to be cleared. Use the CLI command `vsf member 1 type JL253A`. This will retain all configuration made on member 1 and remove only the MAC address. After the command is executed, the output of `show vsf` will be as follows:

```
VSF Domain ID      : 164423
MAC Address        : b05ada-96f043
VSF Topology       : Chain
VSF Status         : Fragment Active
Uptime             : 0d 10h 34m
VSF MAD            : None
VSF Port Speed     : 1G
Software Version   : WC.16.03.0003
```

Mbr					
ID	MAC Address	Model		Pri	Status
1		Aruba JL253A 2930F-24G-4SFP+ Switch		128	Provisioned
*2	b05ada-96f040	Aruba JL253A 2930F-24G-4SFP+ Switch		250	Commander
3	b05ada-973680	Aruba JL262A 2930F-48G-PoE+-4SFP Sw...		250	Standby
4	b05ada-963860	Aruba JL261A 2930F-24G-PoE+-4SFP Sw...		128	Member

Subsequently, any switch model under JL253A, which is connected to the stack, will be assigned member 1 configuration and role.

Use Case 3: Changing VSF link speed

The sequence to change the VSF link speed is as follows:

Prerequisites

VSF requires that all ports in all VSF links in the VSF stack must be of the same speed. VSF supports two port speeds, 1G and 10G, and up to 8 ports can be added to a VSF link. There is no default port speed defined. When a VSF link is first configured, the global port speed is automatically set to the interface speed of the port on the link.

- There is no restriction on the ports which can be added to a VSF link. Ports which do not match the global port speed can be added to a VSF link, but only ports matching the configured global port speed will be up.
- On a running VSF stack, the current applicable port speed is shown as part of the `show vsf` command output.

```
Switch(config)# show vsf
VSF Domain ID      : 164423
MAC Address        : b05ada-9694e3
VSF Topology       : Chain
VSF Status         : Active
Uptime             : 0d 5h 37m
VSF MAD            : None
VSF Port Speed     : 1G
Software Version   : WC.16.03.0003
```

Procedure

1. Add ports of the desired link speed to each link of the stack.

Once this is done, the `show vsf link detail` output would be similar to:

```
VSF Member: 1      Link: 1
Port      State
-----
1/1      Up    : Connected to port 4/1
1/25     Error: Port speed mismatch

VSF Member: 1      Link: 2
Port      State
-----
1/2      Up    : Connected to port 2/2
1/26     Error: Port speed mismatch

VSF Member: 2      Link: 1
Port      State
-----
2/1      Up    : Connected to port 3/1
2/25     Error: Port speed mismatch
```

2. Connect the ports of the new speed (1/25, 1/26, etc.). Since the ports are kept disabled, it is safe to make the connections at this point. The link will not come up. All links must have ports of both speeds, otherwise the link will fail to come up when the port speed is changed.
3. Execute the command indicating the target speed: `vsf port speed <1G/10G>`. This will trigger a reboot of the whole stack. On reboot, the stack will form using the ports which match the new VSF port speed. Ports which do not match will be kept disabled. The output of `show vsf link detail` after the reboot would be as follows:

```
VSF Member: 1      Link: 1
Port      State
-----
1/1      Error: Port speed mismatch
1/25     Up    : Connected to 4/25

VSF Member: 1      Link: 2
Port      State
-----
1/2      Error: Port speed mismatch
1/26     Up    : Connected to 2/26

VSF Member: 2      Link: 1
Port      State
-----
2/1      Error: Port speed mismatch
2/25     Up    : Connected to 3/25
```

4. Disconnect the unused ports (1/1, 1/2 etc.). This is a safety measure to avoid accidentally creating a network loop when executing the next step.
5. Unconfigure the unused ports from the VSF link, using the command `no vsf member 1 link 1 1/1` etc. Once this step is completed, the output of `show vsf link detail` would be as follows:

```
VSF Member: 1      Link: 1
Port      State
-----
1/25      Up: Connected to 4/25

VSF Member: 1      Link: 2
Port      State
-----
1/26      Up: Connected to 2/26

VSF Member: 2      Link: 1
Port      State
-----
2/25      Up: Connected to 3/25
```

The ports which have been removed from VSF links can now be used as regular Ethernet ports.

Use Case 4: Adding a switch to a stack

The automatic configuration mode only works with a newly unboxed switch, or a switch which has been reset to factory default configuration using the CLI command `erase startup-configuration`. Now, connecting the switch in between the two end switches of the chain will trigger an automatic configuration download to the switch, after which it will join the stack.

In manual configuration mode, the switch to be added has to be configured to join the stack. This involves the following steps:

Prerequisites

A functional running stack can be scaled up by adding a switch to increase capacity. There will be minimal disruption of switching function during this operation. This process is similar to the VSF deployment, and can be done in either Manual or Automatic configuration mode.



The maximum number of members in a VSF stack is 4.

- The first step is to convert running stack to chain, if it is in ring topology.
- This involves disconnecting a VSF link between two stack members. Switching functions will continue, with possible loss of some in-flight traffic.

Procedure

1. Configure new switch links, which will be connected to the two end switches of the chain.
2. Enable VSF on new switch with the same Domain ID as the stack. This will cause the switch to reboot.
3. Connect the cables to the end switches of the stack, and the stack will be formed.

There could again be some possible loss of some in-flight traffic as a ring topology forms from the chain topology.

Net-service Overview

Net-service names are used as alias in defining ACL rules for defined lists. An alias of net-service will configure a list of hosts, networks, or subnets.

Extended ACL can have both source IP, destination IP and port number along with protocol in its ACE. An alias-based ACE for an extended ACL therefore allows the use of an alias of net-service protocol and destination port.

Limitations

- Alias-based ACE will not support access-control based on source port which is a limitation of the net-service command. The use of net-service will also restrict operators specified for port number to `equals` and `range`.
 - Operators `lt`, `gt`, `equal`, `negative`, and `range` for the source port in the ACL rule are not specified using the options available in net-service.
 - Operators `lt`, `gt`, `negative` are not specified for destination port using the options available in net-service.
 - Only the ACL will be affected when changes are made to an existing net-service. Either the rule must be reapplied to the ACL or the switch must be rebooted to affect the service.

net-service [tcp | udp | port]

Syntax

```
[no] net-service <NAME-STR> [tcp | udp | <PROTOCOL>]  
    port <PORT-LIST>
```

Description

Configures net-service.

Parameters

protocol

IP protocol number.

Range: 0-255

TCP

Configure an alias for a TCP protocol.

UDP

Configure an alias for a UDP protocol.

port

Specify a single port or a list of noncontiguous port numbers, by entering up to six port numbers, separated by commas or range of ports.

Range: 0-65535

Example net-service tcp-service tcp 100

```
net-destination src-ip
  host 10.120.0.1
  host 10.91.1.1
  host 10.0.100.12

net-destination destn-ip
  host 16.90.51.12
  host 10.93.24.1

net-service tcp-service tcp 100
ip access-list extended "acl1"
  permit alias src-ip alias destn-ip alias tcp-service
```

Net-destination overview

The use of net-destination and net-service helps reduce effort required to configure ACL rules.

Net-destination is a list of hosts, networks, or subnets that are used to configure an ACL rules.

There are two types of ACLs supported and configured on the switch:

- Standard
- Extended

Standard

The standard ACL can have an IP source or network in the ACE. Defining the alias-based ACE for standard ACL, only use an alias of net-destination for the source.

Example - standard

```
net-destination src-ip
  host 10.120.0.1
  host 10.91.1.1
  host 10.0.100.12

net-destination destn-ip
  host 16.90.51.12
  host 10.93.24.1

net-service tcp-service tcp 100
ip access-list extended "acl1"
  permit alias src-ip alias destn-ip
  alias tcp-service
```

Extended

The extended ACL can have both source IP, destination IP and port number along with protocol in its ACE. Defining an alias-based ACE for an extended ACL can use an alias of net-destination for the source and destination and an alias of net-service for the protocol and destination port. Alias-based ACE will not support access-control based on source port which is a limitation of the net-service command. The use of net-service will also restrict the operators that can be specified for port number to `equals` and `range`.

Example - extended

```
HP-Switch-5406Rz12(config)# ip access-list extended aext1
HP-Switch-5406Rz12(config-ext-nacl)#
```

```
permit tcp host 10.100.12.1 gt 23 16.90.0.0 /16 range 200 400
HP-Switch-5406Rzl2(config-ext-nacl)# exit
```

Limitations

- Limited to IPv4 addresses per syntax.
- Any changes made to an existing net-destination that is used by an ACL, will be applied on the ACL only when the rule is reapplied to it or when switch is rebooted.
- The number of entries for a single net-destination is limited. The number of net-destinations configurable on a switch is also limited.
- A considerable amount of memory (for global structures) will be allocated when alias-based ACEs are configured which may cause issues on a switch with low memory.
- The Host or Domain name cannot be specified as an entry in a net-destination.
- Application level gateway will not be supported as the existing ACL infra does not support ALG.
- SNMP support to configure and delete net-destination, net-service, and the alias-based rules will not be provided.
- The 'invert' and 'range' option have been deprecated as per ArubaOS-Switch 7.4 CLI Reference Guide and hence will not be supported. However, the functionality of 'invert' option can be achieved through the 'deny' rule.
- RADIUS server-based ACL application to interface/VLAN will not be supported for ACLs with alias-based rules.

net-destination host |position | network

Syntax

```
[no] netdestination <NAME-STR> [host <IP-ADDR>
[position <NUM>] network <IP-ADDR/MASK-LENGTH>
[position <NUM>]]
```

Description

Net-destination is a list of hosts, networks, or subnets that are used to configure an ACL rule.

Parameters

host

Configures a single IPv4 host.

network

An IPv4 subnet consisting of an IP address and netmask.

no

Removes any configured item in list or an entire net-destination.

position

Specifies the position of a host, network, or range in the net-destination. This optional parameter is specific to a net-destination and may only be used to sort entries in a list.

show net-destination

Syntax

```
show net-destination <NAME-STR>
```

Description

Show a host-specific net-destination.

To create a profile and associate a device-type to that profile, the specified device-name must first be defined in the device-identity. Device-identity uses discovery protocols like LLDP to identify the device.

Procedure for creating a device identity and associating a device type

Procedure

1. Create a device identity using the command:

```
switch# device-identity name <DEVICE-NAME>
```

2. Specify the OUI used in LLDP's organization using specific TLV, (type =127). OUI should be in XXXXXX format. The default OUI "000000" indicates that device-identity will not use LLDP to identify device:

```
switch(config)# device-identity name <DEVICE-NAME> lldp oui <MAC_OUI>  
sub-type <SUBTYPE>
```

To add new device on switch:

```
switch(config)# device-identity name abc lldp oui a1b2c3 sub 2
```

To remove device from switch:

```
switch(config)# no device-identity name abc
```

3. Show device identity configuration:

```
switch(config)# show device-identity lldp
```

Device Identity Configuration

Index	Device name	Oui	Subtype
1	abc	a1b2c3	2

LLDP device profile detection dynamically uses organization-specific TLV to detect and apply profiles to devices. Organizational Unique Identifiers (OUI) and subtypes are detected based on the configuration of the switch. A maximum of 16 devices can be detected and defined using LLDP.

Requirements

The device-identity must be configured with a name.

device-profile

Syntax

```
device-profile <PROFILE-NAME>
```

```
no device-profile <PROFILE-NAME>
```

Description

Create and name a new device profile.

Command context

```
config
```

Parameters

<PROFILE-NAME>

Specifies the name assigned to the profile.

Example

When adding a new device-identity name to a device, the new identity will show in the command context.

```
switch-Stack# config
switch-Stack(config)# device-identity name test
switch-stack(identity-test)#
```

device-profile type-device

Syntax

```
device-profile type [aruba-ap | aruba-switch | scs-wan-cpe |
device-name <DEVICE-NAME> associate <PROFILE-NAME> | enable | disable]
```

```
no device-profile type [aruba-ap | aruba-switch | scs-wan-cpe |
device-name <DEVICE-NAME> associate <PROFILE-NAME> | enable | disable]
```

Description

Associates the device profile with the type of device by identity.

The `no` form of this command removes the device profile from the device type.

Command context

config

Parameters

associate <PROFILE-NAME>

Selects the profile name associated with the device-type.

enable

Selects the profile of the device being enabled.

disable

Selects the profile of the device being disabled.

Usage

- The command `device-profile type aruba-ap enable` enables an Aruba-AP within the device profile.
- Device Name is defined the same as Device Identity.

device-profile device-type enable

Syntax

```
device-profile device-type <DEVICE-NAME> enable
```

```
device-profile device-type <DEVICE-NAME> disable
```

Description

Enables the newly created device profile and associates it with the device-type and device-name.

The `disable` form of this command removes the association.

Command context

config

Parameters

<DEVICE-NAME>

Specifies the device name.



NOTE

The device identification may be used in other subsystems (like device profile).

Examples

Enable the device d1 using the command `device-profile device-type <d1> enable`.

```
switch(config)# device-profile device-type d1 enable
```

Disable the device d1 using the command `device-profile device-type d1 disable`.

```
switch (config)# device-profile device-type d1 disable
```

Associating a profile with a device

Associate a profile with a device by using the command `device-profile device-type <DEVICE-NAME> associate <PROFILE-NAME>`. Associated devices can be Aruba Access Points, ArubaOS-Switch Switches, scs-wan-cpe, or association can be by the device profile.

The feature is disabled by default.

device-profile device-type associate

Syntax

```
device-profile device-type <DEVICE-NAME> associate <PROFILE-NAME>
```

```
no device-profile device-type <DEVICE-NAME> associate <PROFILE-NAME>
```

Description

Associate the profile to newly added device .

The `no` form of this command removes the profile association.

Usage

The device identification may be use in other subsystems like device profile.

Command context

```
config
```

Parameters

<DEVICE-NAME>

Specifies the name of the device.

<PROFILE-NAME>

Specifies the name given to the profile.

Examples

Use the command to associate the device `d1` with the profile `abc`.

```
switch(config)# device-profile device-type d1 associate abc
```

show device-profile status

Syntax

```
show device-profile status
```

Description

Shows the profile status of the device.

Command context

```
config
```

Example

Use the `show device-profile status` command to view status.

```
switch(config)# show device-profile status
Port      Device-type      Applied device profile
-----
A1        <device-name>   abc
```

show device-profile config

Syntax

```
show device-profile config
```

Description

Shows the device profile configuration.

Command context

```
config
```

Examples

Use the command `show device-profile config` to display the device profile configuration.

```
switch(config)# show device-profile config
Device Profile Configuration
Configuration for device-profile : default-ap-profile
  untagged-vlan      : 1
  tagged-vlan        : None
  ingress-bandwidth  : 100%
  egress-bandwidth   : 100%
  cos                : 0
  speed-duplex       : auto
  poe-max-power      : Class/LLDP
  poe-priority       : critical
  allow-jumbo-frames: Disabled
Configuration for device-profile : abc
  untagged-vlan      : 1
  tagged-vlan        : None
  ingress-bandwidth  : 100%
  egress-bandwidth   : 100%
  cos                : None
  speed-duplex       : auto
  poe-max-power      : Class/LLDP
  poe-priority       : critical
  allow-jumbo-frames: Disabled
Configuration for device-profile : default-aos-profile
  untagged-vlan      : 1
  tagged-vlan        : None
  ingress-bandwidth  : 100%
  egress-bandwidth   : 100%
  cos                : 0
  speed-duplex       : auto
  poe-max-power      : Class/LLDP
  poe-priority       : critical
  allow-jumbo-frames: Disabled
Configuration for device-profile : default-scs-profile
  untagged-vlan      : 1
  tagged-vlan        : None
```



```

ingress-bandwidth : 100%
egress-bandwidth  : 100%
cos                : 0
speed-duplex      : auto
poe-max-power     : Class/LLDP
poe-priority      : critical
allow-jumbo-frames: Disabled
allow-jumbo-frames: Disabled
Configuration for device-profile : default-device-profile
untagged-vlan     : 1
tagged-vlan       : None
ingress-bandwidth : 100%
egress-bandwidth  : 100%
cos               : 0
speed-duplex      : auto
poe-max-power     : Class/LLDP
poe-priority      : critical
allow-jumbo-frames: Disabled

Device Profile Association

Device Type       : aruba-ap
Profile Name      : default-ap-profile

Device Status    : Disabled
Device Type       : aruba-switch
Profile Name      : default-aos-profile
Device Status     : Disabled

Device Type       : scs-wan-cpe
Profile Name      : abc
Device Status     : Disabled

Device Type       : <lldp-device-name>
Profile Name      : default-device-profile
Device Status     : Disabled

```

show device-identity

Syntax

```
show device-identity <LLDP>
```

Description

Show the device-identity configuration.

Command context

```
config
```

Parameters

<LLDP>

Shows the configuration of the LLDP device.

Examples

Shows the device identity configuration.

```
switch(config)# show device-identity lldp
```

Device Identity Configuration

Index	Device name	Oui	Subtype
1	cpe	33 bb cc	0
2	phone	11 22 33	2

```
switch(config)# show running configuration
```

Running configuration:

```
; J9625A Configuration Editor; Created on release #RA.16.04.0000x
; Ver #0f:02.43.18.82.34.61.1c.28.f3.84.9c.63.ff.37.2f:da
hostname "HP-3810-24-PoEP"
snmp-server community "public" unrestricted
device-identity name "cpe" lldp oui 33bbcc
device-identity name "cpe" lldp sub-type 1
device-identity name "phone" lldp oui 112233

vlan 1
  name "DEFAULT_VLAN"
  untagged 1-28
  ip address dhcp-bootp
  exit
device-profile name "ram"
  exit
device-profile type "scs-wan-cpe"
  associate "ram"
  enable
  exit
device-profile type-device "cpe"
  associate "ram"
  enable
  exit
device-profile type-device "phone"
  associate "default-device-profile"
  exit
```

Static IP Visibility

Only IP addresses assigned by the DHCP server are visible in RADIUS accounting on an ArubaOS-Switch. Visibility of statically assigned IP addresses in RADIUS accounting is available with a command that enables and disables static IP visibility for an authenticated client.

IP client-tracker

Syntax

```
ip client-tracker [trusted | untrusted]
no ip client-tracker [trusted | untrusted]
```

Description

Enables the visibility of statically and dynamically assigned IPv4 and IPv6 addresses for both authenticated and unauthenticated client.

The `no` form of this command disables the visibility of statically and dynamically assigned IPv4 and IPv6 addresses for both authenticated and unauthenticated client.

Command context

```
config
```

Parameters

trusted

Enables or disables the visibility of statically and dynamically assigned IPv4 and IPv6 addresses for authenticated clients.

untrusted

Enables or disables the visibility of statically and dynamically assigned IPv4 and IPv6 addresses for unauthenticated client.

Usage

- Enabling this feature will send ARP probes to the client at regular intervals. This interval is determined by setting `arp-age timeout`. By default `arp-age timeout` is 20 minutes however the default timeout can be changed by using the command `ip arp-age <timeout value in minutes>`.
 - The periodic ARP probe aids in detecting any change of IP addresses on end clients.
 - The periodic probe aids silent clients to stay connected to the switch. Silent clients do not send any traffic to the switch after authentication which causes de-authentication after a logoff period of 5 minutes (default value) due to inactivity. The periodic ARP probe triggers the end client to send response packets and aids

the client in staying connected. The customer must manually configure the IP arp-age value to 1 minute with the command `ip arp-age 1` to avoid being de-authenticated.

- When the `ip client-tracker` command is executed more than once, it takes the last commands' behavior. For example when the command `ip client-tracker trusted` is run after the command `ip client-tracker`, the behavior will follow the last command, `ip client-tracker trusted`.
 - When the administrator tries to execute the `no` command that has not been configured (does not exist in running configuration), an error will appear.

Example

Show port-access client with multiple addresses.

```
switch# show port-access clients

Port Access Client Status

Port      Client Name      MAC Address      IP Address      User Role Type  VLAN
-----
1         005056bd3ff7    005056-bd3ff7   3ffe:501:ffff:100::5e      MAC    1
```

Example

Show the port-access IPv4 client.

```
Switch-Stack(config)# show port-access clients

Port Access Client Status

Port      Client Name      MAC Address      IP Address      User Role      Type  VLAN
-----
1/3      000002b85001    000002-b85001   10.1.1.30      MAC           10
```

Example

Show the port-access IPv6 client.

```
switch(config)# show port-access clients 22

Port Access Client Status

Port      Client Name      MAC Address      IP Address      User Role      Type  VLAN
-----
22       0000005daa34    000000-5daa34   n/a            MAC           20
```

Example

Show the port-access client detail.

```
switch(config)# show port-access clients 22 detailed

Port Access Client Status Detail

Client Base Details :
Port                : 22
Client Status       : authenticated
Client Name         : 0000005daa34
MAC Address         : 000000-5daa34
IP                  : n/a
Authentication Type : mac-based
Session Time        : 64 seconds
Session Timeout     : 0 seconds
```

Access Policy Details :

COS Map	: Not Defined	In Limit Kbps	: Not Set
Untagged VLAN	: 20	Out Limit Kbps	: Not Set
Tagged VLANs	: No Tagged VLANs		
Port Mode	: 100FDx		
RADIUS ACL List	: No Radius ACL List		
IPV6 Address	: 2000::10		



The OOBM port is available only on the 2930M Switch Series.

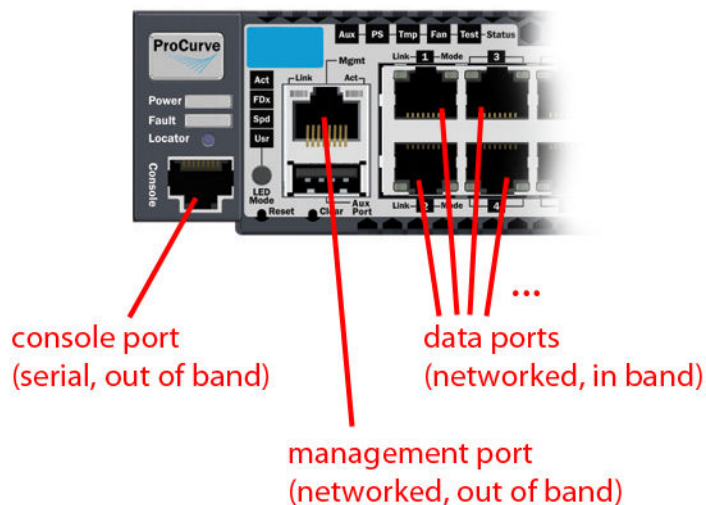
OOBM concepts

Management communications with a managed switch can be:

- In band—through the networked data ports of the switch
- Out of band—through a dedicated management port (or ports) separate from the data ports

Out-of-band ports have typically been serial console ports using DB-9 or specially wired 8-pin modular (RJ-style) connectors. Some recent switches have added networked OOBM ports.

Figure 141: *Switch management port identification*



OOBM operates on a "management plane" that is separate from the "data plane" used by data traffic on the switch and by in-band management traffic. That separation means that OOBM can continue to function even during periods of traffic congestion, equipment malfunction, or attacks on the network. In addition, it can provide improved switch security: a properly configured switch can limit management access to the management port only, preventing malicious attempts to gain access via the data ports.

Network OOBM typically occurs on a management network that connects multiple switches. It has the added advantage that it can be done from a central location and does not require an individual physical cable from the management station to each switch's console port.

Table 39: Switch management ports

	In band	Out of band	
	Networked	Directly connected	Networked
Management interface	Command line (CLI), menu, Web	Command line (CLI), menu	Command line (CLI), menu
Communication plane	Data plane	Management plane	Management plane
Connection port	Any data port	Dedicated serial or USB console port	Dedicated networked management port
Connector type	Usually RJ-45; also CX4, SFP, SFP+, and XFP	DB9 serial, serial-wired 8-pin RJ	RJ-45
Advantages	Allows centralized management	Not affected by events on data network, shows boot sequence	Not affected by events on data network, allows centralized management, allows improved security
Disadvantages	Can be affected by events on data network; does not show boot sequence	Requires direct connection to console port (can be done via networked terminal server)	Does not show boot sequence

OOBM and switch applications

The table below shows the switch applications that are supported on the OOBM interface as well as on the data interfaces. In this list, some applications are client-only, some are server-only, and some are both.

Application	Inbound OOBM (server)	Outbound OOBM (client)	Inbound data plane (server)	Outbound data plane (client)
Telnet	yes	yes	yes	yes
SSH	yes		yes	1
SNMP	yes	yes	yes	yes
TFTP	yes	yes	yes	yes
HTTP	yes	1	yes	1
SNTP	1	yes	1	yes
TIMEP	1	yes	1	yes
RADIUS	1	yes	1	yes
TACACS	1	yes	1	yes

Table Continued

Application	Inbound OOBM (server)	Outbound OOBM (client)	Inbound data plane (server)	Outbound data plane (client)
DNS	1	yes	1	yes
Syslog	1	yes	1	yes
Ping	yes	yes	yes ⁴	yes
Traceroute	yes ⁴	yes	yes ⁴	yes

¹ N/A = not applicable

² ***=Ping and Traceroute do not have explicit servers. Ping and Traceroute responses are sent by the host stack.

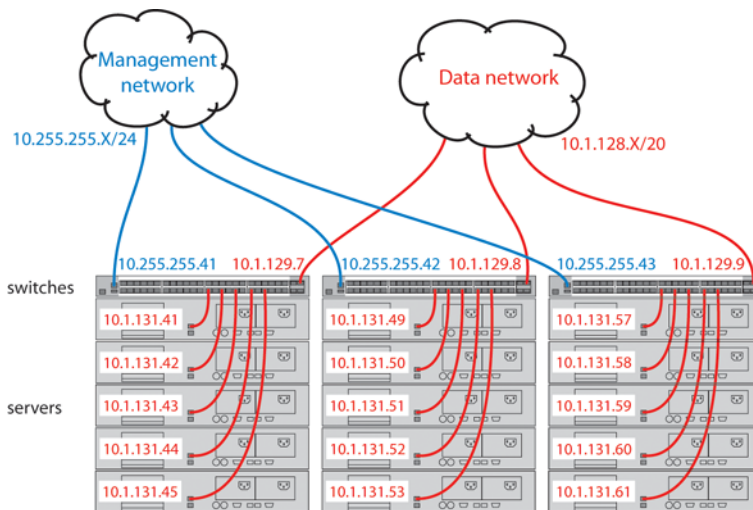
For applications that have servers, `oobm/data/both` options have been added to listen mode. There is now a `listen` keyword in the CLI commands to allow selection of those options. Default **value** is `both` for all servers.

Example

In a typical data center installation, top-of-rack switches connect servers to the data network, while the management ports of those switches connect to a physically and logically separate management network. This allows network administrators to manage the switches even if operation on the data network is disrupted.

In **Figure 142: Network OOBM in a data center** on page 760, the switches face the hot aisle of the data center, allowing easy connection to the network ports on the backs of the servers.

Figure 142: Network OOBM in a data center



For even more control, the serial console ports of the switches can be connected to the management network through a serial console server (essentially, a networked serial switch), allowing the network administrators to view the CLI activity of each switch at boot time and to control the switches through the console ports (as well as through the management ports.)

OOBM Configuration

OOBM configuration commands can be issued from the global configuration context (`config`) or from a specific OOBM configuration context (`oobm`.)

Entering the OOBM configuration context from the general configuration context

Syntax

```
oobm
```

Enters the OOBM context from the general configuration context.

Example

```
switch(config)# oobm
HP Switch (oobm)#
```

Enabling and disabling OOBM

From the OOBM context:

Syntax

```
enable disable
```

From the general configuration context:

Syntax

```
oobm enable oobm disable
```

Enables or disables networked OOBM on the switch.

OOBM is not compatible with either a management VLAN or stacking. If you attempt to enable OOBM when a management VLAN is enabled or when stacking is enabled, the command will be rejected and you will receive an error message.

If an OOBM IP address exists and you disable OOBM, the OOBM IP address configuration is maintained. If you enable OOBM and there is a pre-existing OOBM IP address, it will be reinstated.

Network OOBM is enabled by default.

Examples

```
HP Switch (oobm)# enable
HP Switch (oobm)# disable
switch(config)# oobm enable
switch(config)# oobm disable
```

Enabling and disabling the OOBM port

The OOBM `interface` command enables or disables the OOBM interface (that is, the OOBM port, as opposed to the OOBM function.)

From the OOBM context:

Syntax

```
interface [enable | disable]
```

From the general configuration context:

Syntax

```
oobm interface [enable | disable]
```

Enables or disables the networked OOBM interface (port.)

Examples

```
HP Switch (oobm)# interface enable  
switch(config)# oobm interface disable
```

Setting the OOBM port speed

The OOBM port operates at 10 Mbps or 100 Mbps, half or full duplex. These can be set explicitly or they can be automatically negotiated using the `auto` setting.

From the OOBM context:

Syntax

```
interface speed-duplex [10-half | 10-full | 100-half | 100-full | auto]
```

From the general configuration context:

Syntax

```
oobm interface speed-duplex [10-half | 10-full | 100-half | 100-full | auto]
```

Enables or disables the networked OOBM interface (port.) Available settings are:

10-half	10 Mbps, half-duplex
10-full	10-Mbps, full-duplex
100-half	100-Mbps, half-duplex
100-full	100-Mbps, full-duplex
auto	auto negotiate for speed and duplex

Example

```
HP Switch (oobm)# interface speed-duplex auto
```

Configuring an OOBM IPv4 address

Configuring an IPv4 address for the OOBM interface is similar to VLAN IP address configuration, but it is accomplished within the OOBM context.

From the OOBM context:

Syntax

```
[no] ip address [dhcp-bootp | ip-address/mask-length]
```

From the general configuration context:

Syntax

```
[no] oobm ip address [dhcp-bootp | ip-address/mask-length]
```

Configures an IPv4 address for the switch's OOBM interface.

You can configure an IPv4 address even when global OOBM is disabled; that address will become effective when OOBM is enabled.

Example

```
HP Switch (oobm)# ip address 10.1.1.17/24
```

Configuring an OOBM IPv4 default gateway

Configuring an IPv4 default gateway for the OOBM interface is similar to VLAN default gateway configuration, but it is accomplished within the OOBM context.

From the OOBM context:

Syntax

```
[no] ip default-gateway ip-address
```

From the general configuration context:

Syntax

```
[no] oobm ip default-gateway ip-address
```

Configures an IPv4 default gateway for the switch's OOBM interface.

Example

```
HP Switch (oobm)# ip default-gateway 10.1.1.1
```

Configuring an IPv6 default gateway for OOBM devices

An OOBM interface is used for managing devices from remote sites. OOBM devices must be given a default gateway responsible to maintain a network connection when these devices are placed in an IPv6 network enabled with RA suppression.

To configure and enable an IPv6 default gateway for OOBM interfaces, use the `oobm ipv6 default-gateway` command.

`oobm ipv6 default-gateway`

Syntax

```
oobm ipv6 default-gateway <IPV6-ADDR>
```

```
no oobm ipv6 default-gateway
```

Description

Configures the IPv6 default gateway address for OOBM interfaces.

The *no* form of the command deletes the default gateway. It is imperative that an IPv6 address is specified when the *no* form of the command is used.

Command context

config

Parameters

<IPV6-ADDR>

Specifies the IPv6 address when configuring the OOBM for a specific gateway.

Example

```
switch(config)# oobm ipv6 default-gateway 1001::1/64
```

```
oobm member ipv6 default-gateway
```

Syntax

```
oobm member <MEMBER-ID> ipv6 default-gateway <IPV6-ADDR>
```

```
no oobm member <MEMBER-ID> ipv6 default-gateway
```

Description

Configures the IPv6 default gateway address for an OOBM member using their unique identifier and the IPv6 address of the default gateway.

When *no* proceeds the command, the default gateway address is deleted.

Command context

config

Parameters

<MEMBER-ID>

Specifies the unique member-id which allows the OOBM device access to the IPv6 default-gateway.

<IPV6-ADDR>

Specifies the IPv6 address of the default gateway for a member OOBM interface.

Example

Configuring and deleting the OOBM member from a specific IPv6 gateway.

```
switch(config)# oobm member 1 ipv6 default-gateway 1001::1
```

```
switch(config)# no oobm member 1 ipv6 default-gateway
```

IPv6 default router preferences

The command `ipv6 nd ra router-preference {high | medium | low}` provides an extension to the Neighbor Discovery Router Advertisement messages for communicating default router preferences from routers to hosts. The extension improves the ability of hosts to pick the appropriate router for an off-link destination. In network topologies, where the host has multiple routers on its Default Router list, the choice of router for an off-link destination is critical for making the communication more efficient. For example, one router may provide much better performance than another for a destination while choosing a wrong router may result in failure to communicate.

ipv6 nd ra router-preference

Syntax

```
ipv6 nd ra router-preference {low | medium | high}

no ipv6 nd ra router-preference
```

Description

Sets the router-preference configuration for communicating default router preferences from routers to hosts. Improves the ability of hosts to pick the appropriate router for an off-link destination by providing options at the operator level which set the router preference value as low, medium, or high. Depending on the router preference value set, the host receives the value as part of the IPv6 neighbor discovery router advertisement and chooses the best router for communication.

The `no` form of this command removes the router-preference configuration.

Command context

vlan

Parameters

low

Specifies the router-preference value to low.

medium

Specifies the router-preference value to medium. Medium is the default router-preference value.

high

Specifies the router-preference value to high.

Usage

- When VRRP is configured, RA messages for Virtual IP are sent with configured router-preference values.
- This command complies with RFC 4191.

Example

Default router-preferences.

```
switch(vlan-1) # ipv6 nd ra router-preference
  low           Set the Default Router Preference to low.
  medium        Set the Default Router Preference to medium (default).
  high          Set the Default Router Preference to high.

switch(vlan-1) # ipv6 nd ra router-preference high
```

OOBM show commands

The `show` commands for OOBM are similar to the analogous commands for the data plane. Note that you must always include the `oobm` parameter to see the information for the OOBM interface, regardless of the context. For instance, even from the OOBM context, the `show ip` command displays the IP configuration for the data plane; to see the IP configuration of the OOBM interface, you need to use `show oobm ip`.

Showing the global OOBM and OOBM port configuration

Syntax

```
show oobm
```

Summarizes OOBM configuration information. This command displays the global OOBM configuration (enabled or disabled), the OOBM interface status (up or down), and the port status (enabled/disabled, duplex, and speed.)

You can issue this command from any context

Example

```
HP Switch# show oobm

Global Configuration
  OOBM Enabled      : Yes
  OOBM Port Type    : 10/100TX
  OOBM Interface Status : Up
  OOBM Port         : Enabled
  OOBM Port Speed   : Auto
```

Showing OOBM IP configuration

Syntax

```
show oobm ip
```

Summarizes the IP configuration of the OOBM interface. This command displays the status of IPv4 (enabled/disabled), the IPv4 default gateway, and the IPv4 address configured for the interface.

You can issue this command from any context.

Example

```
HP Switch# show oobm ip
```

Showing OOBM ARP information

Syntax

```
show oobm arp
```

Summarizes the ARP table entries for the OOBM interface.

You can issue this command from any context.

Example

```
HP Switch# show oobm arp
```

show oobm ipv6

Syntax

```
show oobm ipv6
```

Description

Shows the IPv6 service status for OOBM interfaces.

Command context

operator

Example

Shows the IPv6 service status for OOBM interfaces.

```
switch# show oobm ipv6

Internet (IPv6) Service for OOBM Interface

IPv6 Status      : Enabled
IPv6 Default Gateway : 1000::2

Member IP Config  IP Address/Prefix Length      Address      Intf
-----
Global manual    1000::1/64                    Status      Status
Global autoconfig fe80::42a8:f0ff:fe9e:901/64    Up
Global autoconfig fe80::42a8:f0ff:fe9e:901/64    Up
```

show oobm ipv6 (for stacked switches)

Syntax

```
show oobm ipv6
```

Description

Shows the OOBM IPv6 interface for a stacked switch.

Command context

operator

Example

Shows the OOBM IPv6 interface for a stacked switch.

```
stack-switch# show oobm ipv6

Internet (IPv6) Service for OOBM Interface

IPv6 Status      : Enabled
IPv6 Default Gateway : 3000::2

Member IP Config  IP Address/Prefix Length      Address      Intf
-----
Global manual    3000::1/64                    Status      Status
Global autoconfig fe80::42a8:f0ff:fe9b:a581/64    Active      Down
1 manual        1000::1/64                    Active      Down
2 manual        2000::1/64                    Active      Up
```

show oobm ipv6 member (for stacked switches)

Syntax

```
show oobm ipv6 member <MEMBER-ID>
```

Description

Shows the OOBM IPv6 service detail for a specific member.

Command context

operator

Example

Shows the OOBM IPv6 service detail for a specific member.

```
stack-switch# show oobm ipv6 member 2

Internet (IPv6) Service for OOBM Interface

IPv6 Status      : Enabled
IPv6 Default Gateway : 1000::1

Member IP Config  IP Address/Prefix Length      Address Status  Intf Status
-----
2      manual      1000::2/64                    Active  Up
```

show oobm ip detail (for stacked switches)

Syntax

```
show oobm ip detail
```

Description

Shows the OOBM IP detail for a stacked switch.

Command context

operator

Example

Show the OOBM IP detail for a stacked switch.

```
stack-switch# show oobm ip detail

Internet (IP) Service for OOBM Interface

Global Configuration

IPv4 Status      : Enabled
IPv6 Status      : Enabled

IPv4 Default Gateway : 3.3.3.1
IPv6 Default Gateway : 3000::1
```


Origin	IP Address/Prefix Length	Status
manual	3.3.3.2/24	preferred
manual	3000::2/64	preferred
autoconfig	fe80::42a8:f0ff:fe9b:a581/64	preferred

Member 1

```
IPv4 Status      : Enabled
IPv6 Status      : Enabled

IPv4 Default Gateway : 2.2.2.1
IPv6 Default Gateway : 2000::1
```

Origin	IP Address/Prefix Length	Status
manual	2.2.2.2/24	preferred
manual	2000::2/64	preferred

Member 2

```
IPv4 Status      : Enabled
IPv6 Status      : Enabled

IPv4 Default Gateway : 1.1.1.1
IPv6 Default Gateway : 1000::1
```

Origin	IP Address/Prefix Length	Status
manual	1.1.1.2/24	preferred
manual	1000::2/64	preferred

Application server commands

Application servers (as described in OOBM and server applications in **OOBM concepts** on page 758) have added a `listen` keyword with `oobm|data|both` options to specify which interfaces are active.

Default value is `both` for all servers.

Syntax

```
telnet-server [listen {oobm | data | both}]
```

Syntax

```
ip ssh [listen {oobm | data | both}]
```

Syntax

```
snmp-server [listen {oobm | data | both}]
```

Syntax

```
tftp server [listen {oobm | data | both}]
```

Syntax

```
web-management [listen {oobm | data | both}]
```

In all cases, `show running-config` displays the server configurations.

Use the `no` form of the command to prevent the server from running on either interface.

Examples

Telnet: `no telnet-server`

SSH: `no ip ssh ...`

SNMP: `no snmp-server ...`

TFTP: `no tftp server`

HTTP: `no web-management ...`

The `show servers` command shows the listen mode of the servers:

```
HP Switch# show servers
Server listen mode

Server   Listen mode
-----
Telnet   | both
Ssh      | both
Tftp     | both
Web-management | both
Snmp     | both
```

Application client commands

CLI commands for client applications have added the `oobm` keyword to allow you to specify that the outgoing request be issued from the OOBM interface. If you do not specify the `oobm` keyword, the request will be issued from the appropriate in-band data interface. Command syntax is:

Telnet:

```
telnet ip-address [oobm]
```

TFTP:

```
copy tftp ... ip-address filename... [oobm]
```

SNTP:

```
[no] sntp server priority priority ip-address [oobm] [version]
```

TIMEP:

```
[no] ip timep [dhcp | manual ip-address | [oobm]]
```

RADIUS:

```
[no] radius-server host ip-address [oobm]
```

TACACS+:

```
[no] tacacs-server host ip-address [oobm]
```

DNS:

```
[no] ip dns server-address priority priority ip-address [oobm]
```

Syslog:

```
[no] logging ip-address [[control-descr] | [oobm]]
```

Ping:

```
ping [...] [source [ip-address | vlan-id | oobm]]
```

Traceroute:

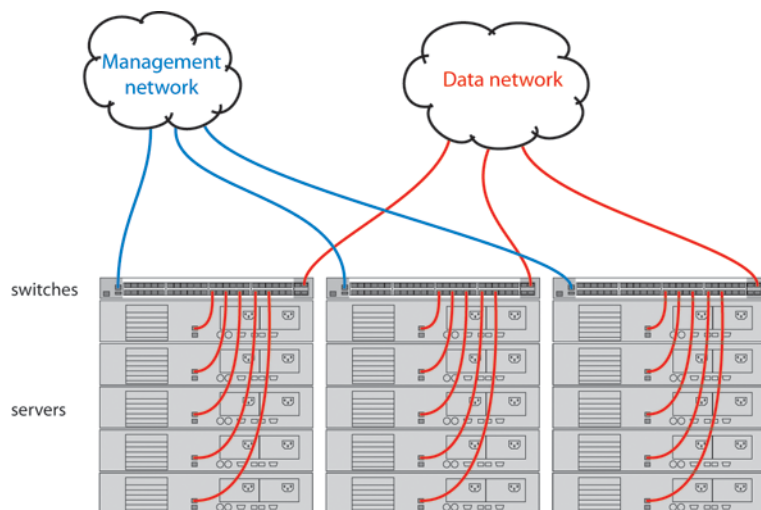
```
traceroute [...] [source [ip-address|vlan-id|oobm]] Management and Configuration Guide
```

Example

Figure 143: Example data center on page 771 shows setup and use of network OOBM using the commands described above.

Assume that the figure below describes how you want to set up your data center.

Figure 143: Example data center



Assume that you are configuring the switch in the left-hand rack to communicate on both the data and management networks. You might do the following:

- Configure an IP address on the data network.
- Verify that out-of-band management is enabled. (It is enabled by default.)
- Configure an IP address on the management network.
- Verify that the switch can communicate on both networks.

The CLI commands that follow would accomplish those tasks. (The first time through the process you might easily make the omission shown near the end of the example.)

```
Switch 41# config
Switch 41(config)# vlan 1
Switch 41(vlan-1)# ip address 10.1.129.7/20          Set up IP address on data network.
Switch 41(vlan-1)# end                             Exit back to manager context.
```

```

Switch 41# show oobm                                Look at default OOBM configuration.

Global Configuration
  OOBM Enabled      : Yes
  OOBM Port Type    : 10/100TX
  OOBM Interface Status : Up
  OOBM Port         : Enabled
  OOBM Port Speed   : Auto
                                                    Defaults look appropriate.

Switch 41# config
Switch 41(config)# oobm                            Go to OOBM context and
Switch 41(oobm)# ip address 10.255.255.41/24      add IP address and
Switch 41(oobm)# ip default-gateway 10.255.255.1  default gateway.
Switch 41(oobm)# end                               Exit back to manager context.
Switch 41# ping 10.1.131.44                        Ping server in this rack (on data network.)
10.1.131.44 is alive, time = 19 ms
Switch 41# ping 10.1.131.51                        Ping server in adjacent rack.
10.1.131.51 is alive, time = 15 ms
Switch 41# ping 10.255.255.42                     Ping switch in adjacent rack.
The destination address is unreachable.           Oops! It's on the management network.
Switch 41# ping source oobm 10.255.255.42        Go through the management port
10.255.255.42 is alive, time = 2 ms              and it works fine.
Switch 41#

```

Networking Websites

Hewlett Packard Enterprise Networking Information Library

www.hpe.com/networking/resourcefinder

Hewlett Packard Enterprise Networking Software

www.hpe.com/networking/software

Hewlett Packard Enterprise Networking website

www.hpe.com/info/networking

Hewlett Packard Enterprise My Networking website

www.hpe.com/networking/support

Hewlett Packard Enterprise My Networking Portal

www.hpe.com/networking/mynetworking

Hewlett Packard Enterprise Networking Warranty

www.hpe.com/networking/warranty

General websites

Hewlett Packard Enterprise Information Library

www.hpe.com/info/EIL

For additional websites, see [Support and other resources](#).

Accessing Hewlett Packard Enterprise Support

- For live assistance, go to the Contact Hewlett Packard Enterprise Worldwide website:
<http://www.hpe.com/assistance>
- To access documentation and support services, go to the Hewlett Packard Enterprise Support Center website:
<http://www.hpe.com/support/hpesc>

Information to collect

- Technical support registration number (if applicable)
- Product name, model or version, and serial number
- Operating system name and version
- Firmware version
- Error messages
- Product-specific reports and logs
- Add-on products or components
- Third-party products or components

Accessing updates

- Some software products provide a mechanism for accessing software updates through the product interface. Review your product documentation to identify the recommended software update method.
- To download product updates:
 - Hewlett Packard Enterprise Support Center**
www.hpe.com/support/hpesc
 - Hewlett Packard Enterprise Support Center: Software downloads**
www.hpe.com/support/downloads
 - Software Depot**
www.hpe.com/support/softwaredepot
- To subscribe to eNewsletters and alerts:
www.hpe.com/support/e-updates
- To view and update your entitlements, and to link your contracts and warranties with your profile, go to the Hewlett Packard Enterprise Support Center **More Information on Access to Support Materials** page:



Access to some updates might require product entitlement when accessed through the Hewlett Packard Enterprise Support Center. You must have an HPE Passport set up with relevant entitlements.

Customer self repair

Hewlett Packard Enterprise customer self repair (CSR) programs allow you to repair your product. If a CSR part needs to be replaced, it will be shipped directly to you so that you can install it at your convenience. Some parts do not qualify for CSR. Your Hewlett Packard Enterprise authorized service provider will determine whether a repair can be accomplished by CSR.

For more information about CSR, contact your local service provider or go to the CSR website:

<http://www.hpe.com/support/selfrepair>

Remote support

Remote support is available with supported devices as part of your warranty or contractual support agreement. It provides intelligent event diagnosis, and automatic, secure submission of hardware event notifications to Hewlett Packard Enterprise, which will initiate a fast and accurate resolution based on your product's service level. Hewlett Packard Enterprise strongly recommends that you register your device for remote support.

If your product includes additional remote support details, use search to locate that information.

Remote support and Proactive Care information

HPE Get Connected

www.hpe.com/services/getconnected

HPE Proactive Care services

www.hpe.com/services/proactivecare

HPE Proactive Care service: Supported products list

www.hpe.com/services/proactivecaresupportedproducts

HPE Proactive Care advanced service: Supported products list

www.hpe.com/services/proactivecareadvancedsupportedproducts

Proactive Care customer information

Proactive Care central

www.hpe.com/services/proactivecarecentral

Proactive Care service activation

www.hpe.com/services/proactivecarecentralgetstarted

Warranty information

To view the warranty for your product or to view the *Safety and Compliance Information for Server, Storage, Power, Networking, and Rack Products* reference document, go to the Enterprise Safety and Compliance website:

www.hpe.com/support/Safety-Compliance-EnterpriseProducts

Additional warranty information

HPE ProLiant and x86 Servers and Options

www.hpe.com/support/ProLiantServers-Warranties

HPE Enterprise Servers

www.hpe.com/support/EnterpriseServers-Warranties

HPE Storage Products

www.hpe.com/support/Storage-Warranties

HPE Networking Products

www.hpe.com/support/Networking-Warranties

Regulatory information

To view the regulatory information for your product, view the *Safety and Compliance Information for Server, Storage, Power, Networking, and Rack Products*, available at the Hewlett Packard Enterprise Support Center:

www.hpe.com/support/Safety-Compliance-EnterpriseProducts

Additional regulatory information

Hewlett Packard Enterprise is committed to providing our customers with information about the chemical substances in our products as needed to comply with legal requirements such as REACH (Regulation EC No 1907/2006 of the European Parliament and the Council). A chemical information report for this product can be found at:

www.hpe.com/info/reach

For Hewlett Packard Enterprise product environmental and safety information and compliance data, including RoHS and REACH, see:

www.hpe.com/info/ecodata

For Hewlett Packard Enterprise environmental information, including company programs, product recycling, and energy efficiency, see:

www.hpe.com/info/environment

Documentation feedback

Hewlett Packard Enterprise is committed to providing documentation that meets your needs. To help us improve the documentation, send any errors, suggestions, or comments to Documentation Feedback (docsfeedback@hpe.com). When submitting your feedback, include the document title, part number, edition, and publication date located on the front cover of the document. For online help content, include the product name, product version, help edition, and publication date located on the legal notices page.

Introduction

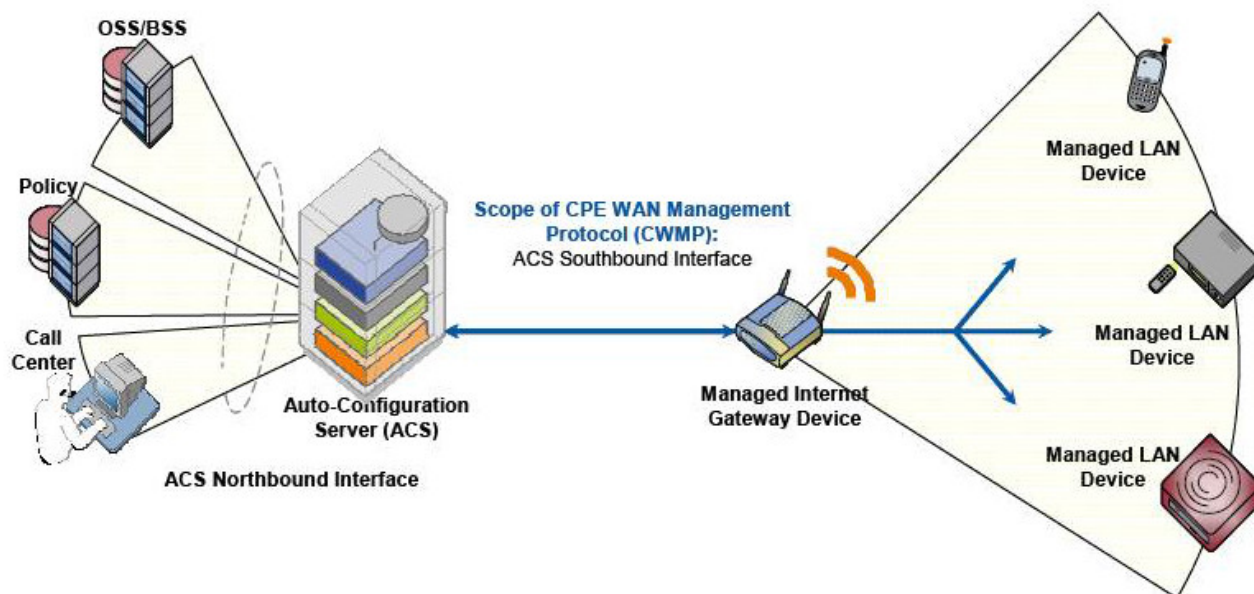
TR-069 is a technical specification created by the **Broadband Forum**. The TR-069 protocol specifies client and server requirements to manage devices across the Internet by using a client server architecture to provide communication between the CPE (Customer Premises Equipment) and the ACS (Auto Configuration Server). A protocol helps to manage complex networks where many devices such as modems, routers, gateways, VoIP phones and mobile tablets compete for resources. TR-069 defines the CPE WAN Management Protocol (CWMP) protocol necessary to remotely manage end-user devices. ACS provides automatic configuration for these devices.



CWMP is automatically enabled. To conserve resources, reconfigure this setting using the `cwmp disable` command.

TR-069 defines an auto-configuration architecture which provides the following primary capabilities:

- Auto-configuration and dynamic service provisioning
- Software/firmware image management
- Status and performance monitoring
- Diagnostics
- Bidirectional SOAP/HTTP based protocol



Advantages of TR-069

- TR-069 can manage devices with dynamic IP addresses.

TR-069 use Organization Unique ID (OUI) and serial number rather than IP to identify a device.

- TR-069 can manage devices in a private network.

The HPE ACS BIMS (an iMC module) uses HTTP to communicate with the device, and the session is initiated by the device, so BIMS can pass through NAT to manage the device.

- TR-069 is secure.

TR-069 can use HTTPS to communicate with or transfer files to/from the device; it is more secure than TFTP, FTP or Telnet.

- TR-069 is suitable for WAN management across internet.
- TR-069 is suitable for zero-touch configuration.

The zero-configuration mechanism is defined in the TR-069 specification.

- TR-069 is suitable for large-scale device management.

TR-069 support distributed architecture. The ACS can be distributed to multiple servers, each ACS can manage part of devices.

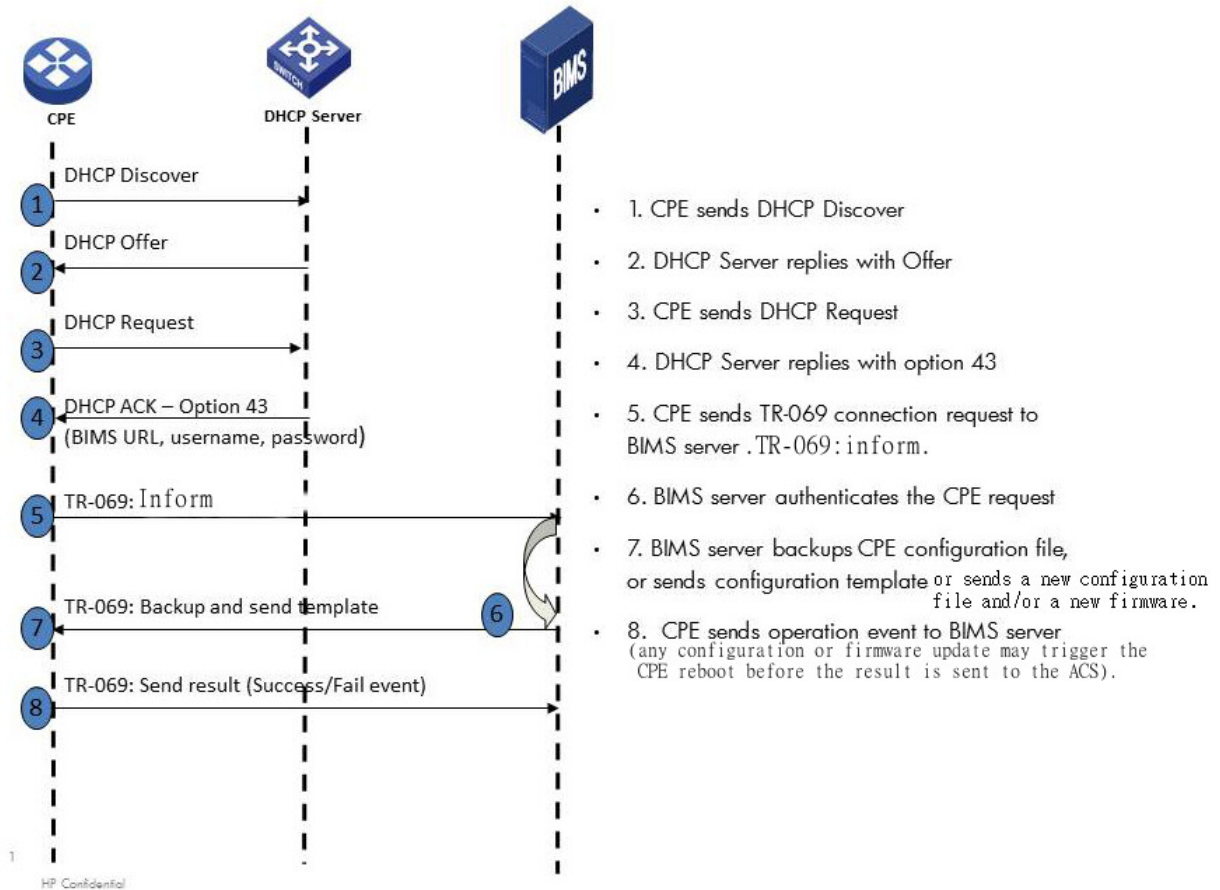
Zero-touch configuration process

Auto configuration or “zero-touch” deployment is a recurring customer requirement, especially for remote-office deployments. New devices introduced inside a private network require management tools be co-located to configure them or update firmware, or require manual intervention to do configuration. TR-069 allows managing devices that reside in a private network via HTTP(S), enabling a new set of deployment and management models today, not possible using SNMP.

The client side, when configured, will contact the server at a predefined URL, using HTTP or HTTPS as protocol. After authentication, the ACS is able to perform the following basic operations:

- Update CPE Configuration.
- Update CPE TR-069 parameters.
- Update CPE firmware.
- Reboot CPE (backup, startup, and running configurations)
- Run CPE ping diagnostics.
- Reset CPE to factory default.
- Get periodic Status (several parameters can be retrieved depending on what is supported).

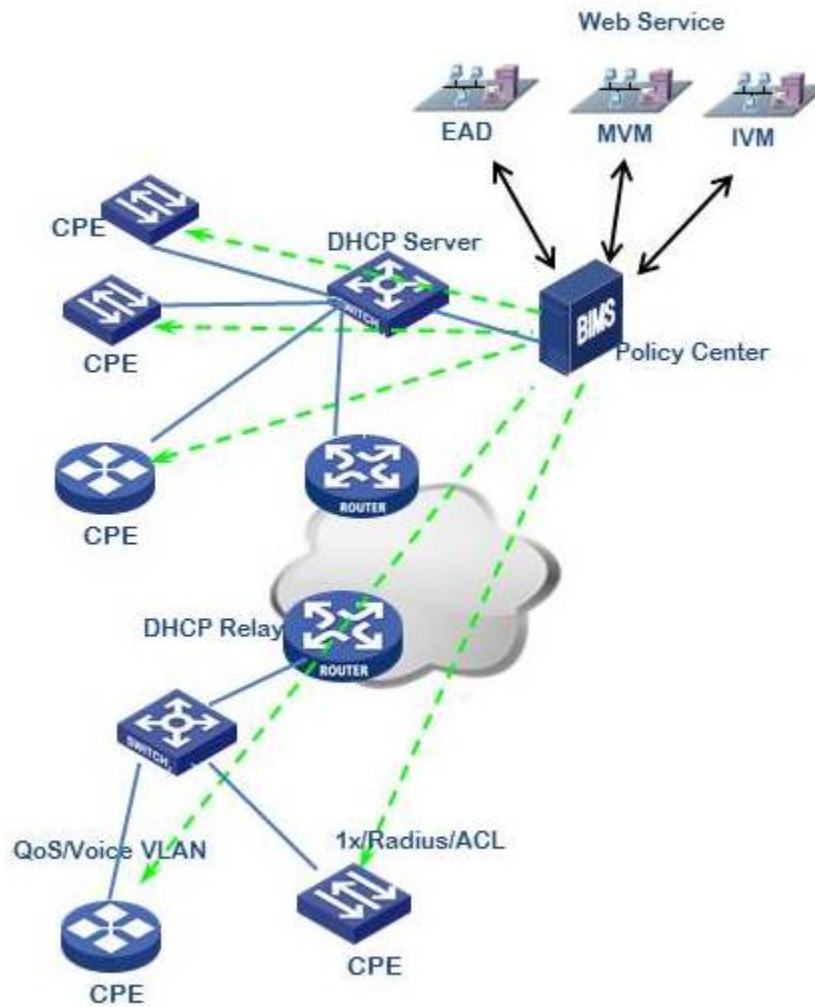
Since TR-069 uses HTTP, it can be used across a WAN. If the CPE can reach the URL, it can be managed. TR-069 is mostly a push protocol where the client periodically sends information without server requests. This allows for greater scalability over traditional SNMP based tools, which are also bounded to work within the LAN, while TR-069 can offer management to remote offices.



Zero-touch configuration for Campus networks

In this example, the following steps to configure CPEs for a Campus Network environment.

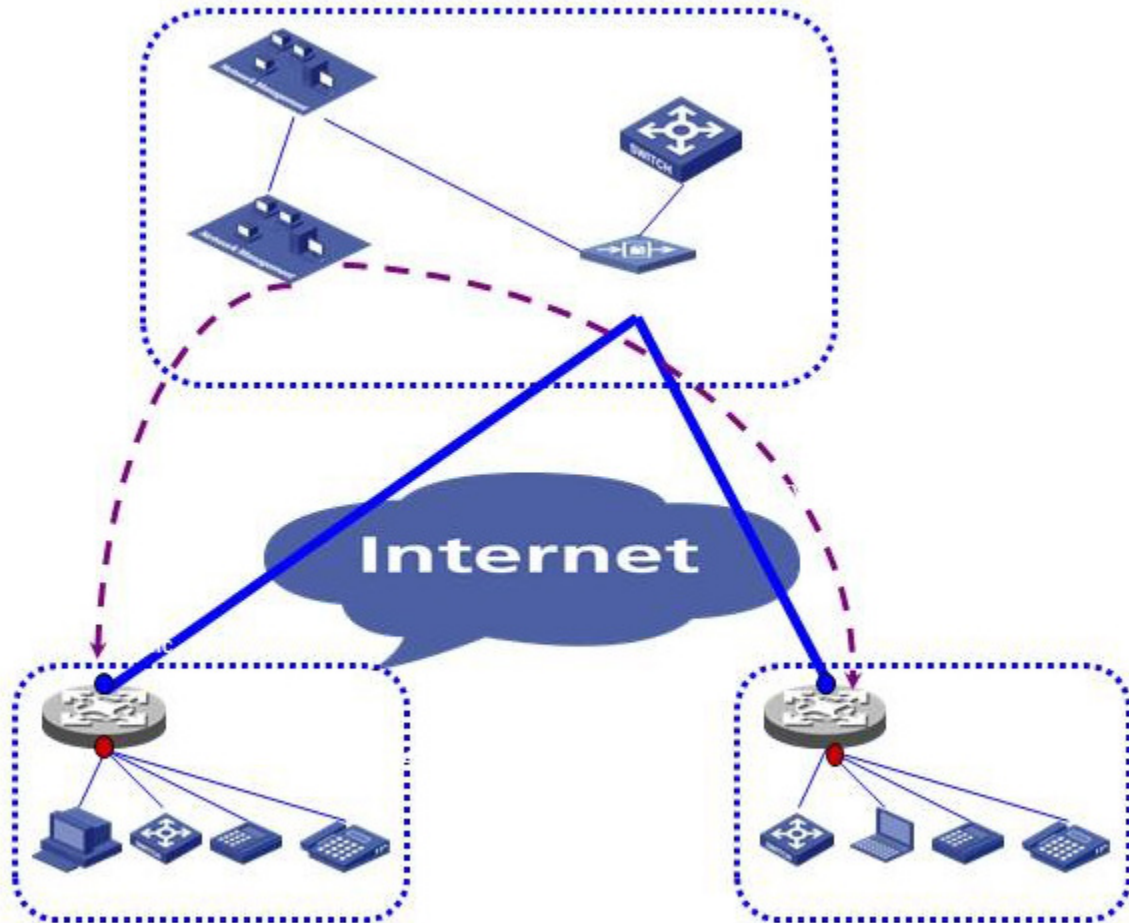
1. Pre-configuration for all CPEs in BIMS.
2. CPEs get BIMS parameters from DHCP server.
3. CPEs initiate a connection to BIMS, then BIMS deploys the pre-configuration to CPEs.



Zero-touch configuration for Branch networks

In this example, the following steps to configure CPEs for a Branch network environment.

1. Create the basic configuration for your spoke device manually, using the username/password from ISP and BIMS URL.
2. The IPsec VPN configuration is generated by IVM and deployed by BIMS.
3. The IPsec VPN tunnel is automatically created.
4. The device in the branch private network can DHCP relay to HQ to continue the zero touch configuration.



Zero-touch configuration setup and execution

1. DHCP configuration
2. BIMS configuration
3. Execution

CLI commands

Configuration setup

Within the configure mode:

Syntax:

```
cwmp
```

acs

Configure Auto Configuration Server (ACS) access.

cpe

Configure Customer Premises Equipment (CPE) access.

disable

Disable the CPE WAN Management Protocol.



CWMP is automatically enabled. To conserve resources, reconfigure this setting using the `cwmp disable` command.

enable

Enable the CPE WAN Management Protocol.

Syntax:

```
[no] cwmp
```

acs

Configure Auto Configuration Server (ACS) access.

cpe

Configure Customer Premises Equipment (CPE) access.

enable

Enable the CPE WAN Management Protocol.

ACS password configuration

Syntax:

```
cwmp acs
```

password

Configure the password used for authentication when the switch connects to the ACS.

url

Configure the URL of the ACS.

username

Configure the username used for authentication when the switch connects to the ACS.

When encrypt-credentials is off

Syntax:

```
cwmp acs password
```

plaintext

Configure the password used for authentication when the switch connects to the ACS.

When encrypt-credentials is on

Syntax:

```
cwmp acs password
```

encrypted-key

An encrypted password generated with the `encrypt-credentials` command.

plaintext

Configure the password used for authentication when the switch connects to the ACS.

Encrypt-credential on

```
cwmp acs password encrypted-key
```

ASCII-STR

Enter an ASCII string (maximum length: 384 characters).

Plaintext password

```
cwmp acs password plaintext
```

PASSWORD-STR

A plaintext password used for ACS authentication (maximum length: 256 characters).

ACS URL configuration

Syntax:

```
cwmp acs url
```

URL-STR

The URL of the ACS (maximum length: 256 characters).

ACS username configuration

Syntax:

```
cwmp acs username
```

USERNAME-STR

A username for ACS authentication (maximum length: 256 characters).

CPE configuration

Syntax:

```
cwmp cpe
```

password

Configure the password used for authentication when the ACS connects to the switch.

username

Configure the username used for authentication when the ACS connects to the switch.

CPE password configuration

When encrypt-credentials is on

Syntax:

```
cwmp cpe password
```

encrypted-key

An encrypted password generated with the 'encrypt-credentials' command.

plaintext

Configure the password used for authentication when the ACS connects to the switch.

Syntax:

```
cwmp cpe password encrypted-key
```

ASCII-STR

Enter an ASCII string (maximum length: 384 characters).

When encrypt-credentials is off

Syntax:

```
cwmp cpe [password]
```

plaintext

Configure the password used for authentication when the ACS connects to the switch

Syntax:

```
cwmp cpe
```

PASSWORD-STR

A plaintext password used for ACS authentication (maximum length: 256 characters).

CPE username configuration

Syntax:

```
cwmp cpe [username]
```

USERNAME-STR

A username for ACS authentication (maximum length: 256 characters).

Enable/disable CWMP

Syntax:

```
cwmp [enable|disable]
```

Show commands

CWMP configuration and status query

Syntax:

```
show cwmp
```

configuration

Show current CWMP configuration.

status

Show current CWMP status.

When CWMP is enabled

Syntax:

```
show cwmp configuration
```

CWMP configuration

```
CWMP Configuration
CWMP Status      : Enabled
ACS URL          : http://16.93.62.32:9090
ACS Username     : bims
Inform Enable Status : Enabled
Inform Interval  : 60
Inform Time      : 2014-04-08T06:00:00
Reconnection Timeout : 30
```

CWMP status

```
CWMP Status
CWMP Status      : Enabled
ACS URL          : http://16.93.62.32:9090
ACS URL Origin   : Config
ACS Username     : bims
Connection Status : Disconnected
Data Transfer Status : None
Last ACS Connection Time : Wed Apr 9 16:56:00 2014
Time to Next Connection : 00:00:36
```

When CWMP is disabled

Syntax:

```
show cwmp status
```

CWMP status

```
CWMP Status
CWMP Status           : Disabled
```

CWMP configuration

```
show cwmp configuration
CWMP Configuration
CWMP Status           : Disabled
```

Event logging

The TR-069 client offers some tools to diagnose problems:

- System logging
- Status/control commands

System logging

The CPE implements the following system log notification codes and sample messages:

- **RMON_TR69_INFORM_COMPLETE**
 - INFORM to http://15.29.20.50:9090/ from (IP address not set yet) completed with error.
 - INFORM to http://15.29.20.50:9090/ from 10.0.10.212 completed with error.
 - INFORM to http://15.29.20.50:9090/ from 10.0.10.212 completed successfully.
- **RMON_TR69_AUTH_FAILED**
 - Authentication on ACS http://15.29.20.50:9090/ failed.
- **RMON_TR69_CONN_FAILED**
 - Connection attempts with ACS http://15.29.20.50:9090/ from 10.0.10.212 failed.

To avoid flooding the system log on frequent attempts to connect with the ACS, the following criteria are used with both successful and failed attempts:

1. The very first event is always logged.
2. Any change from success to failure or vice versa is always logged.
3. Repeat success or failure events are logged only once every five minutes.

The HTTP file transfer component supports these system log notification codes and sample messages:

- **RMON_HTTP_XFER_COMPLETE**

- I 11/19/13 08:06:13 04185 http: Download of http://10.0.11.240:9876/path to DestinationFile completed successfully.
- I 11/19/13 08:06:13 04185 http: Upload of SourceFile to http://10.0.11.240:9876/path completed successfully.
- **RMON_HTTP_CONN_FAILED**
 - W 11/19/13 08:06:13 04186 http: Connection to http://10.0.11.240:9876/path failed.
- **RMON_HTTP_TIMED_OUT**
 - W 11/19/13 08:06:13 04192 http: Download of http://10.0.11.240:9876/path to DestinationFile timed out.
 - W 02/20/14 00:32:17 04192 http: Upload of SourceFile to http://10.0.11.240:9876/path timed out.
- **RMON_HTTP_NO_SPACE**
 - W 11/19/13 08:06:13 04189 http: Upload of SourceFile to http://10.0.11.240:9876/path canceled because of insufficient memory.
- **RMON_HTTP_REQ_FAILED**
 - W 11/19/13 08:06:13 04190 http: Upload of SourceFile to http://10.0.11.240:9876/path failed (errno 13).
 - W 11/19/13 08:06:13 04190 http: Upload of SourceFile to http://10.0.11.240:9876/path failed (errno 1).
 - W 11/19/13 08:06:13 04190 http: Download of http://10.0.11.240:9876/path to DestinationFile failed (errno 13).
 - W 11/19/13 08:06:13 04190 http: Download of http://10.0.11.240:9876/path to DestinationFile failed (errno 1).
 - W 11/19/13 08:06:13 04190 http: Download of http://10.0.11.240:9876/path to DestinationFile failed (errno 17).
- **RMON_HTTP_WRONG_FILE**
 - W 11/19/13 08:06:13 04191 http: Download canceled because file http://10.0.11.240:9876/path is malformed or incompatible.
 - W 11/19/13 08:06:13 04191 http: Download canceled because file http://10.0.11.240:9876/path is malformed or incompatible.
- **RMON_HTTP_FILE_NOT_FOUND**
 - W 11/19/13 08:06:13 04200 http: Upload of SourceFile to http://10.0.11.240:9876/path canceled because of inexistent file.

Status/control commands

The following commands help assess the general state of TR-069 and control the source of the ACS configuration record:

Table 40: Status/control commands

Command	Result
show cwmp status	CWMP is Enabled ACS URL : https://16.93.62.32:9443 ACS URL is set by : Config ACS Username : bims Connection status : Disconnected Data transfer status : None Time of last successful connection : Thu Feb 20 01:16:59 2014 Interval upon to next connection : Null
show cwmp configuration	CWMP is Enabled ACS URL : https://16.93.62.32:9443 ACS Username : bims Inform Enable Status : Disabled Inform Interval : 3559 Inform Time : Reconnection times : 30
[no] dhcp tr69-acs-url	Prevents using any ACS information from DHCP

Beginning with switch software release 16.05, the configuration backup and restore without reboot supports the following features:

Interface Access (Telnet, Console/Serial, web)	Port Shutdown with Broadcast Storm
Access Control Lists (ACLs)	Source-Port Filters
AAA Authentication	TACACS+ Authentication
CoS (Class of Service)	Time Protocols (TimeP, SNTP)
Network Management Applications (SNMP)	Uni-directional Link Detection (UDLD)
Port Configuration	Virus Throttling (Connection-Rate Filtering)
Port Security	Web-based Authentication
Port-Based Access Control (802.1X)	Backplane stacking
Quality of Service (QoS)	Job Scheduler
Spanning Tree (STP, RSTP, MSTP, RPVST+)	Authorized IP Managers
VLANs	Authorized Manager List (Web, SSH, TFTP)
802.1Q VLAN Tagging	Auto MDIX Configuration
802.1X Port-Based Priority	DHCP Configuration
802.1X Multiple Authenticated Clients Per Port	Flow Control (802.3x)
IGMP	Friendly Port Names
LACP/Trunk	Guaranteed Minimum Bandwidth (GMB)
MAC Lockdown	IP Addressing
MAC-based Authentication	IP Routing
MAC Lockout	Jumbo Packets
LMA	LLDP
Multicast Filtering	LLDP-MED
Power over Ethernet (PoE and PoE+)	Loop Protection
Protocol Filters	MAC Address Management
RADIUS Authentication and Accounting	Management VLAN
RADIUS-Based Configuration	Passwords and Password Clear Protection/include-credentials

Table Continued

Encrypted-password	QoS: Strict-Priority Queuing
Port Monitoring	QoS: Turn on/off VLAN Precedence
Port Status	QoS: Egress Queue Rate-limiting
Rate-Limiting	CDP
Syslog	System Parameters (hostname, Banner)
System Information	Front-panel-security
Telnet Access	DLDP
Traffic/Security Filters	OOBM
VLAN Mirroring (1 static VLAN)/Port mirroring	Switch interconnect
Voice VLAN	Airwave Controller IP configuration
Web Authentication RADIUS Support	Aruba Central integration
Web UI	Captive portal commands
Log IP address of an ACL match	Consolidated Client View
access-list logtimer	IPsec for Zero Touch Provisioning
UFD: Uplink Failure Detection	Local User roles
Wake-on-LAN for a Specific VLAN	Port QoS Trust Mode
WebUI Inactivity Timer	Per-port Tunneled node
Control Plane Protection	Zero-touch provisioning - DHCP, Activate
Egress ACLs	CPPM support
Device profile - switch auto configuration	HTTP redirection/Captive portal
Device profile: Auto configuration with Aruba AP detection	Device profile: LLDP Authentication Bypass with AP
Tunneled Node enhancement: fallback to switching	RADIUS Port Speed VSA
Rogue AP isolation	Dynamic ARP Protection
DHCP Option 82	Dynamic IP Lockdown
DHCP snooping	Eavesdrop Protection
Distributed Trunking	GVRP
RMON 1,2,3,9	Private VLANs
SavePower Features	IP SLA
sFlow	sys-debug acl
VxLAN	MAC Based VLANs (MBV)
Smartlink	RBAC: Role Based Access Control
Fault Finder extended to cover Flapping Transceiver Mitigation	RADIUS Service Tracking
Fault Finder (Per Port Enable)	sys-debug destination
SNMP Trap Throttling	Protocol VLANs

Acronym	Definition
ACL	Access Control List
AMP	AirWave Management Platform
AP	Access Point
BYOD	Bring Your Own Device
CoA	Change of Authorization
CLI	Command Line Interface
CPPM	ClearPass Policy Manager
DHCP	Dynamic Host Configuration Protocol
DoS	Denial-of-Service
EWA	Enhanced Web Authentication
IP	Internet Protocol
HA	High Availability
HMAC-SHA1	Hash-based Message Authentication Code used with the SHA-1 cryptographic hash function.
HTTP	Hypertext Transfer Protocol
HTTPS	Secure Hypertext Transfer Protocol
ID	Identifier
IP	Internet Protocol
L3	The third, or routing, layer of the open systems interconnection (OSI) model. The network layer routes data to different LANs and Wide Area Networks (WANs) based on network addresses.

Table Continued

Acronym	Definition
LAN	Local Area Network
MAC	Media Access Control
MAFR	MAC Authentication Failure Redirect
MAS	Management Interface Specification
NMS	Network Management System
PVOS	ArubaOS-Switch Operating System
RADIUS	Remote Authentication Dial In User Service
SNMP	Simple Network Management Protocol
VLAN	Virtual Local Area Network
VSA	Vendor Specific Attribute
ZTP	Zero Touch Provisioning