

# **VSX Configuration Best Practices for Aruba CX 6400, 8320, 8325, 8360, 8400**

**CONTENTS**

VSX Configuration Best Practices ..... 1  
 for Aruba CX 6400, 8320, 8325, 8400 ..... 1  
 Revision History..... 6  
 Overview ..... 7  
 VSX Components..... 8  
 Inter Switch Link (ISL)..... 8  
 VSX LAG ..... 8  
 VSX Keepalive..... 8  
 Active-Gateway..... 9  
 Active-Forwarding..... 9  
 PIM Dual-DR..... 9  
 Linkup-Delay..... 9  
 VSX Features Summary ..... 10  
 Topologies and Use-cases ..... 11  
 Aggregation VSX with single VRF routing model ..... 11  
 Aggregation VSX with multiple VRF routing model ..... 12  
 Access VSX to Aggregation VSX ..... 13  
 VSX and L2 loop protection mechanisms ..... 13  
 Native VLAN trunking exclusion from Access to Aggregation Layer ..... 14  
 VSX and Loop-protection..... 14  
 VSX and MSTP..... 14  
 VSX and RPVST+..... 14  
 VSX and VXLAN ..... 14  
 VSX Deployment and Configuration – Best Practices ..... 15  
 Virtual MAC and System-MAC Guidance..... 15  
 Aggregation VSX with single VRF routing model ..... 16  
 Step #0 -Pre-requisite : same firmware release ..... 16  
 Step #1 : create LAG for ISL..... 16  
 Step #2 : VSX Keepalive pre-requisite..... 19  
 Step #3 : VSX Cluster creation ..... 19  
 Step #4 : VSX keepalive ..... 21  
 Step #5 : Configuration-sync and vsx-sync FeatureGroup settings ..... 21  
 Step #6 : VSX split-recovery ..... 23  
 Step #7 : VSX linkup-delay-timer ..... 23  
 Step #8 : VLANs configuration..... 24  
 Step #9 : Downstream VSX LAG (MCLAG) configuration..... 24  
 Step #10 : MSTP configuration ..... 26  
 Step #11 : VSX LAG ACL configuration..... 28  
 Step #12 : VSX LAG QoS configuration..... 29  
 Step #13 : SVI (VLAN L3 interface) configuration ..... 29

Step #14 : OSPF configuration .....	30
Step #15 : BGP configuration .....	35
Step #16 : Multicast configuration .....	35
Aggregation VSX with multiple VRF routing model .....	36
Step #0 to Step#9: follow same steps than for the single VRF scenario.....	36
Step #10 : Configure VRF Transit VLANs.....	36
Step #11 : Upstream VSX LAG Configuration (VSX LAG 101/102).....	37
Step #12 : VSX linkup-delay-timer exclusion .....	39
Step #13 : MSTP configuration .....	40
Step #14 : VSX LAG ACL configuration.....	43
Step #15 : VSX LAG QoS configuration.....	43
Step #16 : SVI (VLAN L3 interface) configuration .....	43
Step #17 : OSPF configuration (including SVIs for Transit VLANs) .....	45
Step #18 : BGP configuration .....	50
Step #19 : Multicast configuration.....	51
Access VSX to Aggregation VSX .....	52
Step #0 to Step#8: follow same steps than for the single VRF scenario.....	52
Step #9 : Aggregation - Downstream VSX LAG (MCLAG) configuration .....	52
Step #10 : Access/ToR Layer: ISL, keepalive, VSX, vsx-sync, VLANs.....	54
Step #11 : Access/ToR - Upstream VSX LAG configuration.....	54
Step #12 : Access/ToR - Server VSX LAG configuration.....	56
Step #13 : MSTP configuration .....	58
Step #14 : VSX LAG ACL configuration.....	60
Step #15: VSX LAG QoS configuration.....	60
Step #16: SVI (VLAN L3 interface) configuration.....	60
Step #17: OSPF configuration .....	60
Step #18: BGP configuration .....	60
Step #19: Multicast configuration.....	60
VSX Maintenance and Troubleshooting .....	61
VSX show commands .....	61
VSX Split.....	66
Split brain detection .....	66
Split brain.....	66
Switch replacement in the VSX Cluster.....	67
VSX Live Upgrade.....	68
NetEdit .....	69
Resources and references .....	71
APPENDIX A – Aggregation VSX with single VRF routing model – Configuration example .....	72
Topology .....	72
Access Switch Configuration.....	72
Access Switch-1 : AOS-S (2930) .....	72

Access Switch-2 : AOS-CX (6300) .....	73
Aggregation Switch configuration .....	74
AGG-1.....	74
AGG-2.....	76
Core Switch Configuration.....	78
Core-1.....	78
Core-2.....	79
APPENDIX B – Aggregation VSX with multiple VRF routing model – Configuration example .....	80
Topology .....	80
Access Switch Configuration.....	80
Access Switch-1 : AOS-S (2930) .....	80
Access Switch-2 : AOS-CX (6300) .....	81
Aggregation Switch configuration .....	82
AGG-1.....	82
AGG-2.....	84
Core Switch Configuration.....	87
Core-1.....	87
Core-2.....	89
APPENDIX C – Access VSX to Aggregation VSX – Configuration example .....	91
Topology .....	91
TOR Switch Configuration.....	91
TOR-1 .....	91
TOR-2.....	92
Aggregation Switch configuration.....	94
AGG-1.....	94
AGG-2.....	96
Core Switch Configuration.....	98
Core-1.....	98
Core-2.....	99
APPENDIX D – VSX keepalive over upstream L3 Core nodes .....	100
Nominal Situation .....	101
Split Situation .....	102
APPENDIX E – Active-Gateway as Next-Hop router for static routes on upstream L3 Core nodes .....	104
APPENDIX F – VLAN extension between two VSX clusters .....	106
Servers NICs Bonding.....	108
Access Switch Configuration.....	109
Access Switch-2 : AOS-S (2930) .....	109
Access Switch-4 : AOS-CX (6300) .....	109
Aggregation Switch configuration.....	110
AGG-1.....	110
AGG-2.....	113

AGG-3.....	116
AGG-4.....	118
Routers Configuration .....	121
ROUTER-1 .....	121
ROUTER-2 .....	122
ROUTER-3 .....	123
ROUTER-4 .....	123

## Revision History

The following table lists the revisions of this document:

Revision	Date	Change Description
1.0	December 2019	Initial Release (6400, 8320, 8325, 8400)
1.1	January 2020	Add Appendix E - Active-Gateway as Next-Hop router on upstream router (firewall use-case)
1.2	March 2020	Add warning note on AG SVI shutdown. Clarify routing HA benefit of active-forwarding. Add vsx update-software boot-bank command and note on CoPP. Correct loopback IP address in Appendix D. Add Appendix F – VLAN extension between two VSX Clusters
1.3	December 2020	Add 8360 as additional supported platform. Add recommendation for UDLD removal over ISL.

## Overview

VSX or Virtual Switching Extension is a virtualization technology to create a cluster of two Aruba CX switches from the same model 6400, 8320, 8325, 8360 or 8400 (not supported on Aruba CX 6300/6200). Different platforms cannot be mixed in the same VSX pair; i.e. 8325 cannot be mixed with 8320. However, different switch density or port type can be mixed within a series. Here is the list of supported combinations:

- Aruba CX 6400: [6405 + 6405] or [6410 + 6410] or [6405 + 6410].
- Aruba CX 8320: [JL479A + JL479A], [JL581A + JL581A], [JL579A + JL579A], [JL479A + JL581A], [JL479A + JL579A], [JL581A + JL579A]
- Aruba CX 8325: [JL624A/JL625A + JL624A/JL625A], [JL626A/JL627A + JL626A/JL627A], [JL624A/JL625A + JL626A/JL627A]
- Aruba CX 8360: [JL708A/JL709A + JL708A/JL709A], [JL700A/JL701A + JL700A/JL701A], [JL702A/JL703A + JL702A/JL703A], [JL706A/JL707A + JL706A/JL707A], [JL710A/JL711A + JL710A/JL711A], and any combination:  
[JL708A/JL709A/JL700A/JL701A/JL702A/JL703A/JL706A/JL707A/JL710A/JL711A + JL708A/JL709A/JL700A/JL701A/JL702A/JL703A/JL706A/JL707A/JL710A/JL711A]
- Aruba CX 8400: [8400 + 8400]

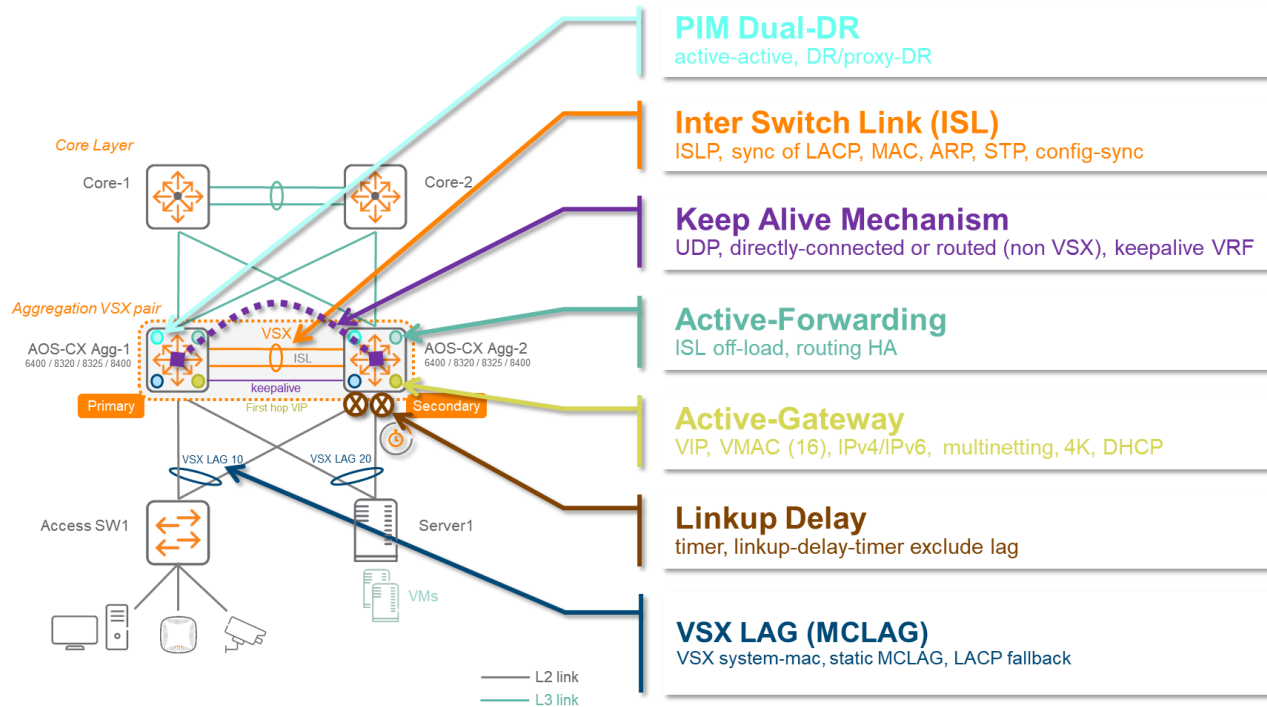
VSX comprises multiple technologies:

- Multi-Chassis Link Aggregation for data-plane virtualization and removal of Spanning-Tree need, with synchronization of the following tables between the two VSX nodes: LACP, MAC, ARP, STP (if used), DHCP.
- Synchronized Management plane: Network admin can choose which particular feature configuration is synchronized from the VSX primary to the VSX secondary. Any show command or REST API call can display information of the VSX peer from the local node with a single SSH session or API call.
- Orchestrated upgrade (VSX Live Upgrade) for sub-second traffic impact during VSX cluster firmware update.
- Independence of the control-planes of the VSX member for protocols High-Availability.

The VSX link aggregation technique is recommended for the Campus aggregation/distribution layer or for Datacenter Top-of-Rack layer. The below topology shows VSX LAG for Campus Access switch uplinks and as well for server NIC attachments in the Datacenter.

## VSX Components

Here is a synthetic view of all the VSX components inside a VSX cluster:



### Inter Switch Link (ISL)

Both VSX switches are connected through the Inter Switch Link. The ISL is typically a standard LAG (Link Aggregation) of two to eight physical links. The ISL physical ports must be directly connected with no intermediate active L2 nodes, and must have same speed (for example: 2x 100G). The ISLP protocol running over the ISL is used to synchronize multiple software and hardware tables: LACP, MAC, ARP tables, STP states (if configured) and DHCP states (if used). There is no additional encapsulation of data-plane traffic over the ISL, so there is no requirement for specific MTU adjustment due to VSX. However, it is recommended to adjust the MTU of the ISL link to permit transport of jumbo frames if required by end-points. The ISL has its own keepalive mechanism with ISL hello packet, dead-interval and hold-time. Keeping the default values is recommended.

ISLP protocol comprises also a framework for synchronization of the management plane from the VSX primary to the VSX secondary. This “vsx-sync” mechanism is very helpful to avoid configuration human mistakes on the VSX secondary.

### VSX LAG

VSX LAG is the Aruba CX name of MCLAG (Multi-Chassis Link Aggregation) technology where two or more links across two switches are aggregated together to form a LAG which will act as a single logical interface. VSX LAG does support all the standard LAG adjustments: timers, L2 or L3 hashing, LACP fallback. It supports both LACP mode active or static mode, and only Layer 2 (i.e. no routed mode).

### VSX Keepalive

The VSX keepalive is a UDP probe on port 7678 (configurable) sending hellos between the two VSX nodes to detect a split brain situation. This L3 probe can be established over a direct link or routed path. It is not yet supported over OOBM port. If a split is detected, the VSX secondary will tear down “by feature” all the physical ports which are members of any VSX LAG.



### Active-Gateway

This is the default-gateway Virtual IP address of endpoint subnet hosted on both VSX primary and VSX secondary. It comes with a Virtual MAC address. Both VSX nodes reply to ARP request with the same VMAC. The VSX primary periodically sends GARP and Broadcast Hello packets sourced from this VMAC. The VSX primary also relays DHCP request or serves DHCP offer (secondary takes over in case of primary failure).

---

**Warning:** Shutting-down administratively the SVI hosting the active-gateway on one VSX node will result in a potential traffic drop from endpoints to the default-gateway. Consequently, the network administrator will get warned by the following message:

```
switch(config-if-vlan)# shutdown
Warning: Active gateway is configured on this interface vlan<id>.
Shutting down the interface may result in traffic loss.
```

---

### Active-Forwarding

Active-Forwarding is configured in case of VSX LAGs are used for upstream connectivity and when North-South traffic can reach one VSX node while the destination MAC is actually the other VSX peer (this can happen due to ECMP on upstream routers). In order to avoid such sub-optimal path and unnecessarily traffic load of the ISL, active-forwarding can be optionally configured on the upstream Transit VLAN SVI. When configured, the node receiving packets will process L3 lookup on behalf of the other VSX node and will forward traffic to connected downstream devices without forwarding traffic to ISL. In addition to the ISL off-load, another **major benefit of VSX active-forwarding is to offer routing high-availability in the event of one VSX node failure**. In the context of upstream VSX LAGs and upstream ECMP routing, the remaining VSX node will process L3 lookup on-behalf of its failing peer, masking any routing protocol convergence window and associated issues.

### PIM Dual-DR

PIM DR and PIM routing is handled by the VSX primary. In order to avoid a long convergence time in case of a VSX primary failure, the VSX secondary can also establish PIM peering, send PIM join messages and build shortest path tree for multicast. This is achieved when PIM active-active is configured.

### Linkup-Delay

Inside the VSX cluster, the switches synchronize their ARP and MAC ASIC tables. This happens in two phases: a software exchange, and a hardware programming of the ASICs. For this second part, when the VSX node joins the VSX cluster it can take several minutes (depending on network size) to get the complete MAC and ARP tables synchronized and configured. During this synchronization time, the VSX LAG ports are kept down to make sure that there won't be any transient traffic drop. This timer is user-configurable and will depend on the network size.

## VSX Features Summary

VSX has been introduced in AOSX-CX 10.1 version and has been improved in each major release.

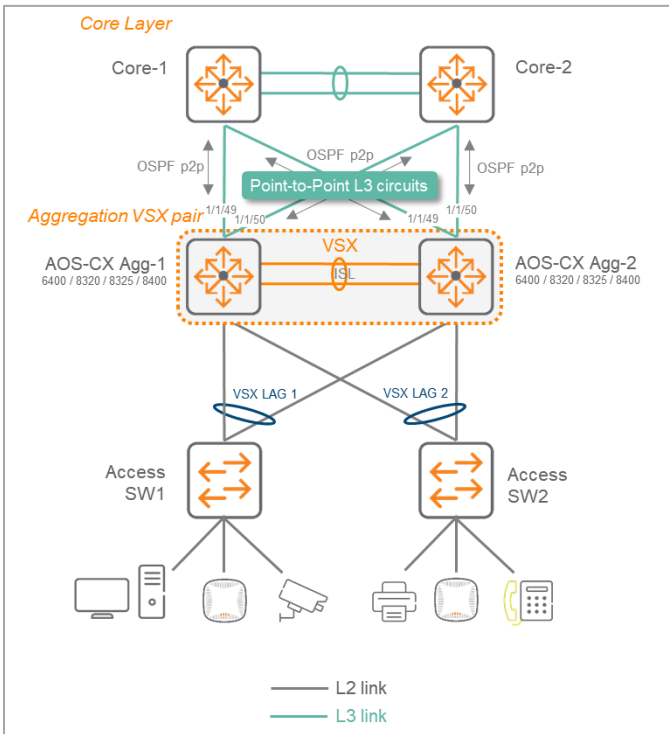
Feature	10.1	10.2	10.3	10.4
VSX + Spanning-tree (MSTP or RPVST+)	No	MSTP only	MSTP / RPVST+	
Multicast Active-Active	No	Yes: Dual-DR		
VSX static LAG	No	Yes		
VSX manual system-mac	No	Yes		
VSX split-recovery	No	Yes		
VSX LACP fallback	No	Yes		
MVRP (Multiple VLAN Registration Protocol)	No			
VSX active-gateway and VRRP	No		Yes: Global co-existence, mutually exclusive per SVI	
VSX active-gateway multinetting	No			Yes
LACP graceful shutdown (during VSX live upgrade)	No			Yes
OSPF and BGP graceful shutdown (during VSX live upgrade)	No		Yes	
VSX with BGP EVPN VXLAN	No			Yes
Keepalive over OOBM	No			
DHCP relay (active on primary, standby on secondary)	Yes			
DHCP server and lease synchronization within VSX	No		Yes	
Gratuitous ARP on active-gateway (sent by primary)	No	Yes		
VSX Live Upgrade orchestration from CLI	No	Yes		
VSX Live Upgrade orchestration from WebUI	No			
VSX-sync (pseudo single management plane)	VLANs, ACLs, Class, Policy	+ feature-group tags	VLAN range sync + new feature-group tags	+ new feature-group tags (ospf, bgp, evpn, vrrp...)
VSX linkup delay optimization	No		Partial	Yes

## Topologies and Use-cases

In the following topologies and configuration, the interface ID are for 8325 implementation example. Please adjust these port IDs when using other platforms.

The first consideration of this chapter is the upstream connectivity of the VSX cluster with two options: L3 point-to-point circuits or L2 circuits with VSX LAG. The second consideration is about VSX technology usage on both Aggregation layer and Access/ToR layer.

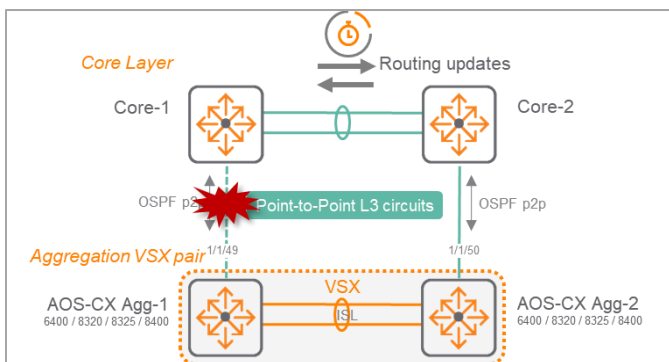
### Aggregation VSX with single VRF routing model



Please note that on following topologies, Core-1 and Core-2 can be Aruba CX Switches and, thanks to Aruba adoption of Open Standards, it can also be third party devices like firewalls.

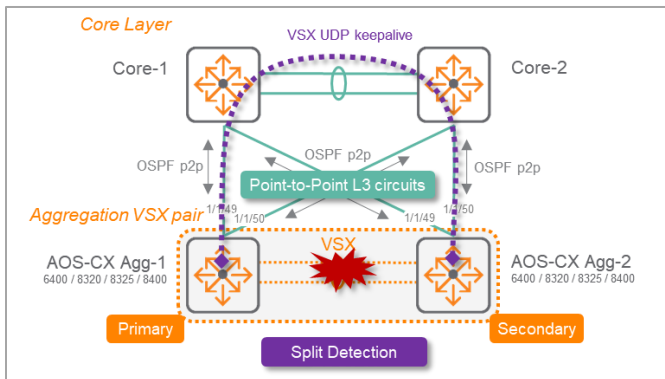
The links between the VSX cluster and Core-1/Core-2 are Layer 3 circuits using Routed ports (here 1/1/49, 1/1/50) on each CX switch. It is recommended to use OSPF as dynamic routing protocol for the IGP (Interior Gateway Protocol) and OSPF peering is configured with point-to-point network-type to skip the DR/BDR election.

It is recommended to implement a full mesh topology with cross connections: Agg-1 connected to both Core-1 and Core-2, and Agg-2 connected to both Core-1 and Core-2.



With a non-meshed topology, if a link fails between Agg-1 and Core-1, there will be some routing convergence to happen and consequently some traffic impact. Even if OSPF spf-trottle timers can be adjusted to minimize such impact to sub-second, this topology should be restricted to environment where full-mesh fibers is not possible.

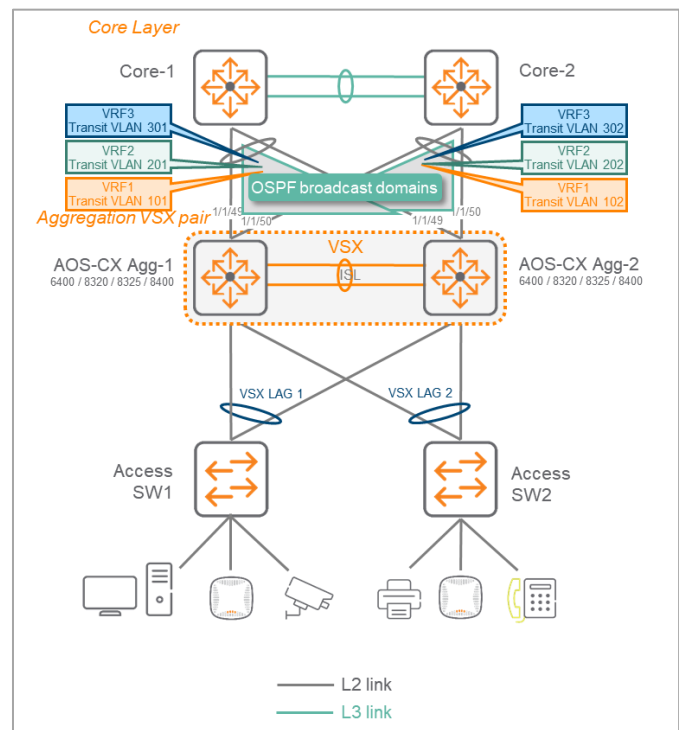
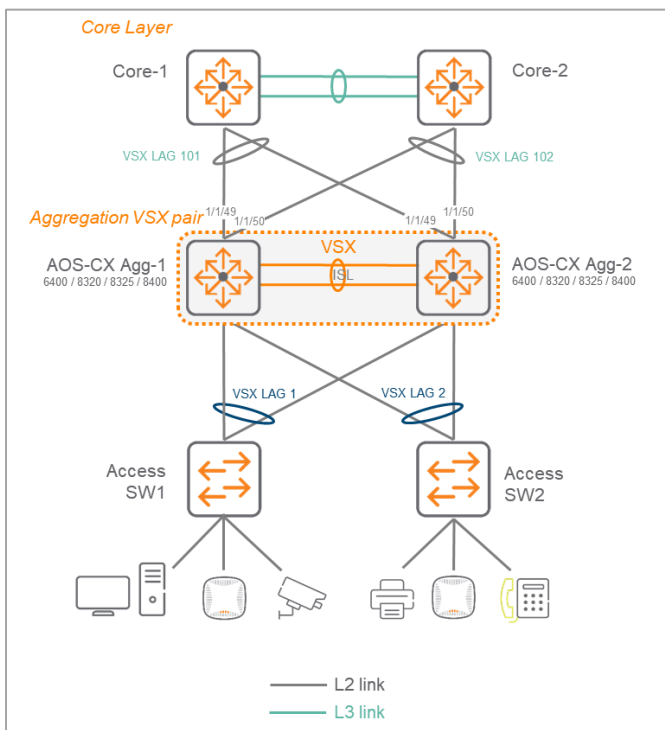
Note: The VSX keepalive UDP traffic is possible over the L3 upstream connectivity.



VSX UDP keepalive probes between the VSX primary and the VSX secondary can be routed through upstream Core-1 and Core-2 during a split event.

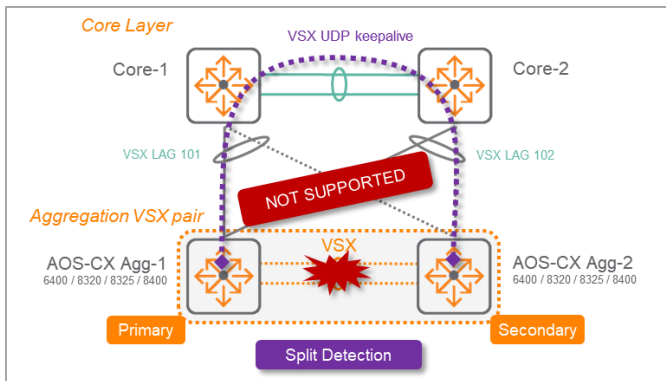
### Aggregation VSX with multiple VRF routing model

As sub-interface is not yet supported in AOS-CX (10.4 and below), upstream circuits must carry the various VRFs through dedicated Transit VLANs for interconnecting VSX cluster routing domain to upstream Core layer for each VRF. In order to avoid duplication of multiple Transit VLANs per VRF and to minimize SPF routing calculation, the upstream L2 circuits are merged into two upstream VSX LAGs.

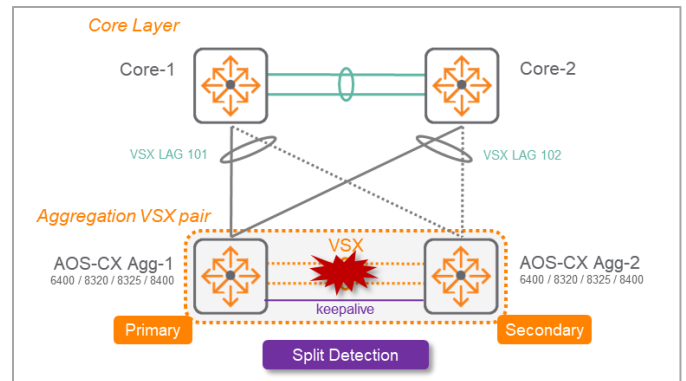


**Note:** VSX UDP Keepalive is **NOT** possible over the upstream VSX LAG connectivity. In such scenario, the keepalive would need to be implemented over a dedicated point-to-point L3 circuit that does not need to be directly connected, i.e. some intermediate active equipment can be traversed by the L3 UDP probe as long as it does not use a VSX LAG path.

VSX UDP keepalive would have been possible through L2 point-to-point circuits. However, due the number of associated Transit VLANs to manage (5xnumber of VRFs), this would be the very last implementation option.

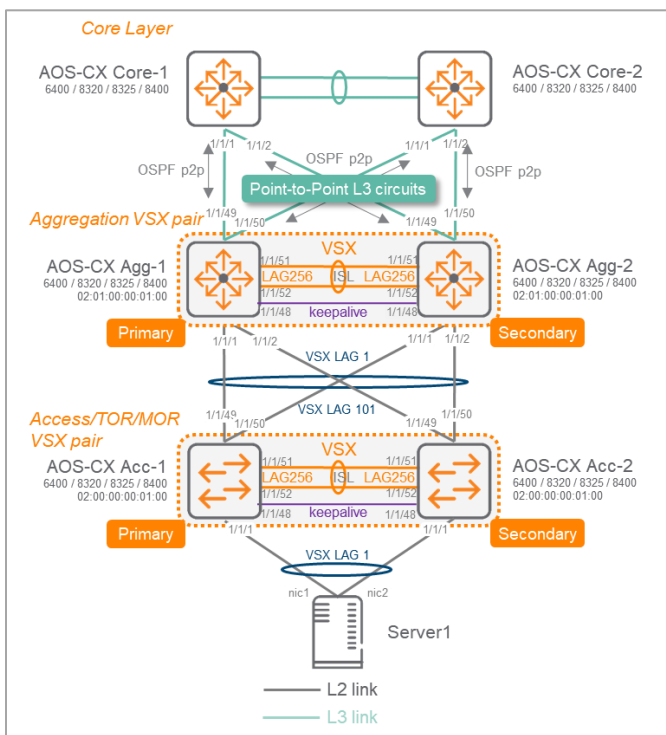


UDP keepalive not supported over VSX LAG



For VSX LAG upstream, UDP keepalive over direct link is recommended

### Access VSX to Aggregation VSX



For mission critical campus endpoint or for datacenter servers, VSX technology in the Access/ToR layer might be preferred over VSF. On the left is the corresponding topology with one VSX cluster for the aggregation layer and one VSX cluster for one top-of-rack instance.

The connectivity between the Aggregation cluster and the ToR cluster is built with 4 physical meshed links all part of the same VSX LAG: VSX LAG1 on Aggregation and VSX LAG101 on ToR, providing a single logical link without the need for spanning-tree.

### VSX and L2 loop protection mechanisms

With VSX LAG there is a single logical data-plane across multi-chassis which removes the need of spanning-tree as a Layer 2 control-plane to manage forwarding and discarding circuits. When all downlink ports are configured for VSX LAGs, if LACP does not detect partner, then the downlink ports will be blocked, avoiding any possible layer 2 loop. This can be enough protection and considered as the simplest option for some network operations.

However, some other cases like cabling errors or configuration mistakes during operations may induce the requirement for loop-protection or spanning-tree technologies as an additional protection mechanism. This is the purpose of this section to explain the various options.

### Native VLAN trunking exclusion from Access to Aggregation Layer

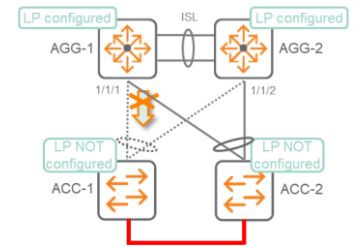
The best practice for allowed VLANs is to exclude the native VLAN 1 from being propagated. This is a very robust method to avoid Layer2 storm propagation due to potential loop initiated on an access switch. By default, AOS-CX CLI will not include VLAN 1 as allowed VLAN on VLAN trunking. In case of access switch Zero-Touch-Provisioning requirements, VLAN 1 removal has to be performed after ZTP process.

### VSX and Loop-protection

The best practice for loop-protect is to configure it only on the access layer without including the uplinks. This practice avoids to isolate the entire access switch if a loop is created between two access switches as exposed on the right side.

Consequently loop-protect is not configured on the aggregation layer in favor of MSTP, especially to protect against such loop scenario that customers would like to protect against.

Loop-protection has a default transmit-interval higher than MSTP, so in case of loop, MSTP will block the port before loop-protection does. Nevertheless, it is a best practice to enable it on all end-point ports as an additional protection mechanism and it may prevent a loop if MSTP is disabled for any reason.



### VSX and MSTP

The usage of MSTP in the context of VSX can be compared as an enhanced loop-protect mechanism with more control over loop avoidance parameters. MSTP is the recommended best practice to protect the network infrastructure against mistake or cabling errors. The associated configuration is kept as simple as possible as this is a protection mechanism and not a forwarding control-plane due to VSX LAG benefits. The default instance MST0 is used as the common instance for all VLANs. Although optional, it is recommended to have Root Bridge hosted by VSX for simplicity and easier support during operations. In such a case, consistent approach would lead to configure root-guard on all downstream VSX LAGs to access switches.

### VSX and RPVST+

Rapid Per VLAN Spanning-Tree + can be used to protect against layer 2 loops. This use-case is reserved for interoperability with existing devices already running RPVST+. As MSTP is enabled by default on 6300/6400, MSTP is the best practice over RPVST+.

### VSX and VXLAN

Since 10.4, VSX supports VXLAN and termination of a VXLAN tunnel with anycast Virtual IP address of the VSX cluster. Configuration Best Practices for VSX and VXLAN are covered in a separate white paper.

## VSX Deployment and Configuration – Best Practices

### Virtual MAC and System-MAC Guidance

One of the main VSX **best practice is to set VSX system-mac** and not leave it blank with default HW system-mac being used. By doing so, the VSX system-mac is independent from the physical hardware MAC address and in case of hardware replacement of the VSX primary, the new switch can be configured with the same configuration than the previous primary unit with no impact on the VSX secondary as the cluster ID remains unchanged. With such practice, VSX primary HW replacement is hitless for the VSX secondary. (Otherwise the VSX secondary would have to join a new cluster ID, ID from VSX primary, and would turn-off temporary its VSX LAG ports).

Please use locally administered unicast MAC Address when assigning system-mac or active-gateway virtual MAC address. There are 4 ranges reserved for private use for unicast (with second least significant bit of the first octet of the unicast address set to 1). x is any Hexadecimal value.

- x2-xx-xx-xx-xx-xx
- x6-xx-xx-xx-xx-xx
- xA-xx-xx-xx-xx-xx
- xE-xx-xx-xx-xx-xx

In this document, 02:01:00:00:01:00 is used or system-mac and 12:01:00:00:01:00 is used for active-gateway Virtual MAC.

Here is a proposal for unique values being used in the administrative domain:

Function	System-mac	Active-gateway Virtual MAC
Access / TOR Layer	02:00:00:00:XX:00	12:00:00:00:XX:0Y
Aggregation	02:01:00:00:XX:00	12:01:00:00:XX:0Y
Core / Spine	02:02:00:00:XX:00	12:02:00:00:XX:0Y

Where XX is reflecting the Unique Cluster ID in the function, and Y is the Virtual MAC ID (0 to 15)

The scope of this VMAC is purely link-local. Consequently, **the same Virtual MAC address value can be used on any L3 VLAN interface (SVI).**

If some servers or systems have dual-attachment to two different SVIs, and the system administrator would like to see distinct MAC addresses for the next-hops over these separate interfaces, then 16 VMACs are available. For dual-stack IPv4 and IPv6, 16 VMACs can be used for IPv4 and the same VMACs can be used for IPv6. It is however a best practice to use only 8 VMACs for IPv4 and 8 different VMACs for IPV6.

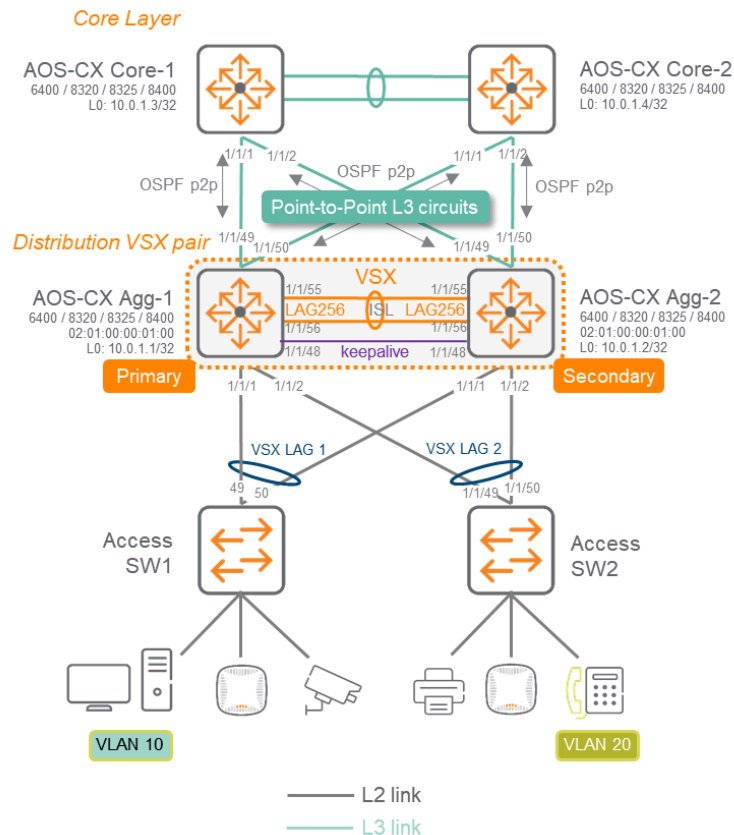
---

**Note:** any other allocation rules can be chosen according to administrative rules in place by the network operational team. **Multicast or broadcast MAC addresses must not be used for System-mac.**

---

## Aggregation VSX with single VRF routing model

Here is the typical topology:  
(default VRF)



### Step #0 -Pre-requisite : same firmware release

Please install same version on both CX Switches that will create the VSX cluster. It is better to avoid any version mismatch during the creation of the cluster, as a warning would appear.

AGG-1	AGG-2
<pre>AGG-1# show version ----- ArubaOS-CX (c) Copyright 2017-2019 Hewlett Packard Enterprise Development LP ----- Version      : GL.10.04.0001 Build Date   : 2019-10-31 12:33:52 PDT Build ID     : ArubaOS- CX:GL.10.04.0001:489a60c44c86:201910311907 Build SHA    : 489a60c44c86b788edc6808b1e9a4d217f31e3bf Active Image : secondary Service OS Version : GL.01.05.0002 BIOS Version  : GL-01-0013</pre>	<pre>AGG-2# show version ----- ArubaOS-CX (c) Copyright 2017-2019 Hewlett Packard Enterprise Development LP ----- Version      : GL.10.04.0001 Build Date   : 2019-10-31 12:33:52 PDT Build ID     : ArubaOS- CX:GL.10.04.0001:489a60c44c86:201910311907 Build SHA    : 489a60c44c86b788edc6808b1e9a4d217f31e3bf Active Image : secondary Service OS Version : GL.01.05.0002 BIOS Version  : GL-01-0013</pre>

### Step #1 : create LAG for ISL

It is assumed that 2x 40G or 2x50G or 2x100G direct fibers / DACs are already interconnecting AGG-1 and AGG-2.

The **best practice for ISL bandwidth** is at least 2x40G (QSFP+) or 2x 50G (SFP56) or 2x100G (QSFP28). It is technically possible to use 2x10G or 2x25G; however it is recommended to plan for any uplink failure and associated impact on the bandwidth requirement for the ISL. If the



uplinks from AGG-1 fail, traffic from AGG-1 will be redirected to AGG-2 over the ISL before reaching the upstream layer. This is perfectly fine as long as there is enough bandwidth remaining for the ISL protocol and the control-plane communication. It is recommended to size the ISL bandwidth to be equal to, at least, the sum of uplinks bandwidth of one VSX switch. The best practice rule is to size the ISL bandwidth according to the failure domain target.

The **best practice for ISL physical ports** is to select at least two ports of the same speed (2x40G or 2x50G or 2x100G), and, in case of a chassis, to select these ports from different Line Cards.

AGG-1				AGG-2			
AGG-1# show lldp neighbor-info				AGG-2# show lldp neighbor-info			
LLDP Neighbor Information =====				LLDP Neighbor Information =====			
Total Neighbor Entries : 3				Total Neighbor Entries : 3			
Total Neighbor Entries Deleted : 0				Total Neighbor Entries Deleted : 0			
Total Neighbor Entries Dropped : 0				Total Neighbor Entries Dropped : 0			
Total Neighbor Entries Aged-Out : 0				Total Neighbor Entries Aged-Out : 0			
LOCAL-PORT	CHASSIS-ID	PORT-ID	PORT-DESC	LOCAL-PORT	CHASSIS-ID	PORT-ID	PORT-DESC
TTL	SYS-NAME			TTL	SYS-NAME		
-----				-----			
1/1/48	54:80:28:fd:42:00	1/1/48	1/1/48	1/1/48	54:80:28:fc:ac:00	1/1/48	1/1/48
120	AGG-2			120	AGG-1		
1/1/55	54:80:28:fd:42:00	1/1/55	1/1/55	1/1/55	54:80:28:fc:ac:00	1/1/55	1/1/55
120	AGG-2			120	AGG-1		
1/1/56	54:80:28:fd:42:00	1/1/56	1/1/56	1/1/56	54:80:28:fc:ac:00	1/1/56	1/1/56
120	AGG-2			120	AGG-1		

Here is the associated configuration to create the standard LAG to be used for ISL.

The **best practice for LAG numbering** is to use the last available LAG ID (ie. 256 in AOS-CX10.4) for the ISL, so that LAG ID=1 is used for connecting the Access Switch#1 on port 1/1/1, so that LAG 2 is used to connect the second Access Switch on port 1/1/2, and so on...

The **best practice for VLAN** trunking on the ISL LAG is to permit ALL VLANs, for simpler configuration. Specifying a restrictive list of VLAN IDs is entirely valid if the network admin wants more control.

The **best practice for LACP timers** on the ISL LAG is to keep the default long timer (30s for lacp rate slow).

The **best practice for hashing algorithm** on the LAG is to keep the default I3-src-dst (alternative being I2-src-dst).

The **best practice for MTU** is to configure on all devices the appropriate size to support features such as Dynamic Segmentation as well as other protocols/functions which require MTUs larger than 1500 bytes. Care should be taken to ensure that the IP path from access devices (switches or APs) can provide a MTU of at least 1564 bytes to the mobility controllers. Similarly, for datacenter server connectivity, largest MTU will ensure server jumbo frame traffic over ISL. Recommendation: [Ethernet MTU = 9198 bytes](#).

The **best practice for ACL** is to not set any access-list on the ISL LAG in order to avoid designing complex and unnecessary ACL. The ISL can be seen as a virtual data back-plane and security filtering is processed before or/and after crossing the ISL.

The **best practice for QoS trust mode** on the ISL LAG is to rely on the **qos trust dscp** that is **globally configured** on the Aggregation switches. If not configured globally (which is not the recommendation), qos trust dscp has to be set on the ISL LAG.

AGG-1(config)#	AGG-2(config)#
qos trust dscp	qos trust dscp
interface lag 256	interface lag 256
no shutdown	no shutdown
description ISL link	description ISL link
no routing	no routing
vlan trunk native 1	vlan trunk native 1
vlan trunk allowed all	vlan trunk allowed all
lacp mode active	lacp mode active

```

interface 1/1/55
  no shutdown
  mtu 9198
  description ISL physical link
  lag 256
interface 1/1/56
  no shutdown
  mtu 9198
  description ISL physical link
  lag 256
interface 1/1/55
  no shutdown
  mtu 9198
  description ISL physical link
  lag 256
interface 1/1/56
  no shutdown
  mtu 9198
  description ISL physical link
  lag 256

```

Please check that LAG is UP.

AGG-1	AGG-2
<pre> AGG-1# show interface lag256  Aggregate lag256 is up Admin state is up Description : ISL link MAC Address          : 54:80:28:fc:ac:00 Aggregated-interfaces : 1/1/55 1/1/56 Aggregation-key      : 1 Aggregate mode       : active Speed                : 200000 Mb/s L3 Counters: Rx Disabled, Tx Disabled qos trust none VLAN Mode: native-untagged Native VLAN: 1 Allowed VLAN List: all Rx   239 input packets      29559 bytes    0 input error         0 dropped    0 CRC/FCS Tx   260 output packets    32110 bytes    0 input error         0 dropped    0 collision </pre>	<pre> AGG-2# show interface lag 256  Aggregate lag256 is up Admin state is up Description : ISL link MAC Address          : 54:80:28:fd:42:00 Aggregated-interfaces : 1/1/55 1/1/56 Aggregation-key      : 1 Aggregate mode       : active Speed                : 200000 Mb/s L3 Counters: Rx Disabled, Tx Disabled qos trust none VLAN Mode: native-untagged Native VLAN: 1 Allowed VLAN List: all Rx   276 input packets      34312 bytes    0 input error         0 dropped    0 CRC/FCS Tx   255 output packets    31523 bytes    0 input error         0 dropped    0 collision </pre>

Please check that LACP is collecting and distributing (flags should be ALFNCD).

```

AGG-1 / AGG-2
AGG-1# show lacp interfaces

State abbreviations :
A - Active           P - Passive           F - Aggregable I - Individual
S - Short-timeout   L - Long-timeout   N - InSync         O - OutofSync
C - Collecting      D - Distributing
X - State m/c expired E - Default neighbor state

Actor details of all interfaces:
-----
Intf   Aggr   Port  Port  State  System-ID          System Aggr Forwarding
      Name   Id    Pri   State  System-ID          Pri   Key   State
-----
1/1/55 lag256 56    1     ALFNCD 54:80:28:fc:ac:00 65534 1     up
1/1/56 lag256 57    1     ALFNCD 54:80:28:fc:ac:00 65534 1     up

Partner details of all interfaces:
-----
Intf   Aggr   Port  Port  State  System-ID          System Aggr
      Name   Id    Pri   State  System-ID          Pri   Key
-----
1/1/55 lag256 56    1     ALFNCD 54:80:28:fd:42:00 65534 1
1/1/56 lag256 57    1     ALFNCD 54:80:28:fd:42:00 65534 1

```

Please note that at this stage VLAN mode is native-untagged (it will change when ISL function is associated to this LAG).

**Note:** UDLD (UniDirectional Link Detection) is not recommended on the ISL and **should be removed** from interfaces that are part of the ISL LAG.

### Step #2 : VSX Keepalive pre-requisite

The **best practice for Keepalive connection** is to use a direct L3 circuit, which can be a low speed port (1G transceiver is enough, 1GBASE-T works as well) between both VSX nodes. This circuit does not have to be directly connected and the path can include active L2 and L3 equipment. Although this requires an additional dedicated port, it brings simplicity of configuration and operations. In the Appendix D, VSX keepalive over upstream layer 3 routing domain is documented as an alternative for network admins who want to protect from a fiber path cut that would impact ISL and keepalive simultaneously; or when the associated cost of a dedicated port is too high (100G). In case of a chassis (6400 or 8400), if possible, it is recommended to use a port from a different Line Card than the ones used for the ISL ports.

The **best practice for Keepalive routing** is to use a dedicated VRF. This is entirely optional and default VRF can be used as well, typically for the single VRF model with UDP keepalive over the upstream L3 domain. Having a dedicated VRF for Keepalive simplifies the operations and prevents any impact from routing change on the default VRF.

The **best practice for Keepalive subnet** is to use a /31 subnet as only 2 nodes will communicate together.

Create the dedicated KeepAlive VRF and associated interface.

AGG-1(config)#	AGG-2(config)#
<pre>vrf KA  interface 1/1/48   no shutdown   vrf attach KA   description VSX keepalive   ip address 192.168.0.0/31</pre>	<pre>vrf KA  interface 1/1/48   no shutdown   vrf attach KA   description VSX keepalive   ip address 192.168.0.1/31</pre>

Check IP connectivity between future VSX nodes inside this dedicated "KA" VRF.

AGG-1 / AGG-2
<pre>AGG-1# ping 192.168.0.1 vrf KA PING 192.168.0.1 (192.168.0.1) 100(128) bytes of data. 108 bytes from 192.168.0.1: icmp_seq=1 ttl=64 time=0.141 ms 108 bytes from 192.168.0.1: icmp_seq=2 ttl=64 time=0.212 ms 108 bytes from 192.168.0.1: icmp_seq=3 ttl=64 time=0.226 ms 108 bytes from 192.168.0.1: icmp_seq=4 ttl=64 time=0.282 ms 108 bytes from 192.168.0.1: icmp_seq=5 ttl=64 time=0.180 ms  --- 192.168.0.1 ping statistics --- 5 packets transmitted, 5 received, 0% packet loss, time 4094ms rtt min/avg/max/mdev = 0.141/0.208/0.282/0.047 ms</pre>

### Step #3 : VSX Cluster creation

The **best practice for system-mac** is to set the system-mac manually on the VSX primary switch. Please refer to above section for system-mac values. Here, 02:01:00:00:01:00 is used. The main advantage to set VSX system-mac (and not to leave it blank with default HW system-mac being used) is to be independent from the physical hardware MAC address. In case of hardware replacement of the VSX primary, the new switch can be configured exactly with the same configuration than the previous unit and there will be no impact on the secondary which will remain in the same cluster ID. HW replacement is hitless for the VSX secondary.

The **best practice for inter-switch-link timers** (dead-interval, hello-interval, hold-time, peer-detect-interval) is to keep the default timers (i.e. no specific configuration).

The **best practice for role** (primary or secondary) is to have a meaningful relationship with the switch hostname/identification. Example: AGG-1 is VSX primary and AGG-2 is VSX secondary.

AGG-1(config)#	AGG-2(config)#
<pre>vsx   system-mac 02:01:00:00:01:00   inter-switch-link lag 256   role primary   vsx-sync vsx-global</pre>	<pre>vsx   inter-switch-link lag 256   role secondary</pre>

At this stage few aspects can be highlighted:

- **Best practice for vsx-sync** includes vsx-global. Thanks to this vsx-sync FeatureGroup parameter, the VSX management-plane will synchronize the following VSX settings: inter-switch-link hello-interval, dead-interval, hold-time, peer-detect-interval, keepalive udp-port, hello-interval, keepalive dead-interval, system-mac, split-recovery, linkup-delay-timer
- VSX automatically **tags the native VLAN** configured on the LAG used for ISL.

AGG-1	AGG-2
<pre>AGG-1# show vsx status VSX Operational State ----- ISL channel           : In-Sync ISL mgmt channel      : operational Config Sync Status    : in-sync NAE                   : peer_reachable HTTPS Server          : peer_reachable  Attribute             Local                Peer ----- ISL link              lag256              lag256 ISL version           2                   2 System MAC            02:01:00:00:01:00  02:01:00:00:01:00 Platform              8325                8325 Software Version      GL.10.04.0001       GL.10.04.0001 Device Role           primary              secondary  AGG-1# show running-config   begin 5 vsx vsx   system-mac 02:01:00:00:01:00   inter-switch-link lag 256   role primary   vsx-sync vsx-global  AGG-1# show running-config vsx vsx   system-mac 02:01:00:00:01:00   inter-switch-link lag 256   role primary interface lag 256   description ISL link   no shutdown   no routing   vlan trunk native 1 tag   vlan trunk allowed all   lacp mode active interface 1/1/56   no shutdown   mtu 9198   lag 256 interface 1/1/55   no shutdown   mtu 9198   lag 256  AGG-1# show running-config vsx-sync Current vsx-sync configuration: ! !Version ArubaOS-CX GL.10.04.0001 !export-password: default vsx   system-mac 02:01:00:00:01:00   vsx-sync vsx-global</pre>	<pre>AGG-2# show vsx status VSX Operational State ----- ISL channel           : In-Sync ISL mgmt channel      : operational Config Sync Status    : in-sync NAE                   : peer_reachable HTTPS Server          : peer_reachable  Attribute             Local                Peer ----- ISL link              lag256              lag256 ISL version           2                   2 System MAC            02:01:00:00:01:00  02:01:00:00:01:00 Platform              8325                8325 Software Version      GL.10.04.0001       GL.10.04.0001 Device Role           secondary            primary  AGG-2# show running-config   begin 5 vsx vsx   system-mac 02:01:00:00:01:00   inter-switch-link lag 256   role secondary   vsx-sync vsx-global  AGG-2# show running-config vsx vsx   system-mac 02:01:00:00:01:00   inter-switch-link lag 256   role secondary interface lag 256   description ISL link   no shutdown   no routing   vlan trunk native 1 tag   vlan trunk allowed all   lacp mode active interface 1/1/56   no shutdown   mtu 9198   lag 256 interface 1/1/55   no shutdown   mtu 9198   lag 256  AGG-2# show running-config vsx-sync Current vsx-sync configuration: ! !Version ArubaOS-CX GL.10.04.0001 !export-password: default vsx   system-mac 02:01:00:00:01:00   vsx-sync vsx-global</pre>

At this stage, the VSX cluster is created and show command vsx-peer can be used from any VSX node. However, the cluster is not protected yet against a split. (keepalive is not yet established). Step#3 and Step#4 can be merged into a single step (here they are separated for educational purpose).

#### AGG-1 / AGG-2

```
AGG-1# show vsx brief
ISL State           : In-Sync
Device State        : Peer-Established
Keepalive State     : Keepalive-Init
Device Role         : primary
Number of Multi-chassis LAG interfaces : 0

AGG-1# show vsx brief vsx-peer
ISL State           : In-Sync
Device State        : Peer-Established
Keepalive State     : Keepalive-Init
Device Role         : secondary
Number of Multi-chassis LAG interfaces : 0
```

#### Step #4 : VSX keepalive

The best practice for VSX keepalive timers (dead-interval, hello-interval) is to keep the default timers (i.e. no specific configuration).

AGG-1(config)#	AGG-2(config)#
vsx keepalive peer 192.168.0.1 source 192.168.0.0 vrf KA	vsx keepalive peer 192.168.0.0 source 192.168.0.1 vrf KA
<b>AGG-1 / AGG-2</b>	
<pre>AGG-1# show vsx brief ISL State           : In-Sync Device State        : Peer-Established Keepalive State     : Keepalive-Established Device Role         : primary Number of Multi-chassis LAG interfaces : 0  AGG-1# show vsx brief vsx-peer ISL State           : In-Sync Device State        : Peer-Established Keepalive State     : Keepalive-Established Device Role         : secondary Number of Multi-chassis LAG interfaces : 0  AGG-2# show vsx status keepalive Keepalive State     : Keepalive-Established Last Established    : Thu Nov 28 14:40:35 2019 Last Failed         : Peer System Id      : 02:01:00:00:01:00 Peer Device Role    : primary  Keepalive Counters Keepalive Packets Tx : 5220 Keepalive Packets Rx : 5220 Keepalive Timeouts   : 0 Keepalive Packets Dropped : 0</pre>	

#### Step #5 : Configuration-sync and vsx-sync FeatureGroup settings

The best practice for VSX configuration-sync is to keep the default enabled configuration-synchronization (no configuration change).

AGG-1	AGG-2
<pre>AGG-1# show vsx status config-sync Admin state         : Enabled Operational State   : Operational Error State         : None Recommended remediation : N/A Current time        : Thu Nov 28 15:54:17 2019 Last sync time      : Thu Nov 28 15:40:27 2019</pre>	<pre>AGG-2# show vsx status config-sync Admin state         : Enabled Operational State   : Operational Error State         : None Recommended remediation : N/A Current time        : Thu Nov 28 16:05:31 2019 Last sync time      : Thu Nov 28 15:40:27 2019</pre>

The best practice for vsx-sync global settings is to use as much as possible the automatic synchronization, to avoid human errors. From the list below, the best practice settings are highlighted (in the context of a traditional Aggregation layer for IPv4). According to specific requirements, more or less parameters can be used from the list.

AGG-1(config)#
AGG-1(config-vsx)# vsx-sync ?

aaa	Sync all AAA instances
acl-log-timer	Sync access-list log timer instance
arp-security	Sync all ARP security configurations
bfd-global	Sync all BFD global configuration
bgp	Sync all BGP, ip aspath list, community list, prefix list, route map configurations
copp-policy	Sync all CoPP instances
dcb-global	Sync global configurations for DCB features (DCBx, PFC and ETS)
dhcp-relay	Sync all DHCP RELAY instances
dhcp-server	Sync all DHCPv4-Server and DHCPv6-Server instances
dhcp-snooping	Sync all DHCPv4-Snooping and DHCPv6-Snooping instances.
dns	Sync all DNS instances
evpn	Sync all evpn configurations
icmp-tcp	Sync all icmp and tcp instances
lldp	Sync all LLDP instances
loop-protect-global	Sync all Loop-protect global configuration
mac-lockout	Sync all mac lockout configurations
mclag-interfaces	Sync QoS, LACP, Loop-Protect, LAG description, sFlow, STP, Rate-Limits, Vlans, ACLs and Portfilters for MCLAG interface instances
nd-snooping	Sync all ND-Snooping instances.
neighbor	Sync all IPv4 and IPv6 static neighbor entries
ospf	Sync all OSPF instances
qos-global	Sync all QoS global instances
route-map	Sync all ip aspath list, community list, prefix list, route map configurations
sflow-global	Sync all sFlow global instances
snmp	Sync all SNMP instances
ssh	Sync all SSH instances
static-routes	Sync all Static Routes instances
stp-global	Sync all STP Global Configuration
time	Sync all time instances
udp-forwarder	Sync all UDP FORWARDER instances
vrrp	Sync all VRRP instances
vsx-global	Sync all VSX global configuration

In addition of the current vsx-global feature synchronization, the other settings are added to the VSX primary. No configuration for this synchronization features is required on VSX secondary switch which will inherit from VSX primary.

AGG-1(config)#	AGG-2(config)#
<pre>vsx vsx-sync aaa acl-log-timer bfd-global bgp copp-policy dhcp-relay dhcp-server dhcp-snooping dns icmp-tcp lldp loop-protect-global mac-lockout mclag-interfaces neighbor ospf qos-global route-map sflow-global snmp ssh stp- global time vsx-global</pre>	<div style="background-color: #f4a460; padding: 5px; border-radius: 10px; display: inline-block;">synchronized</div>
<b>AGG-1 / AGG-2</b>	
<pre>AGG-1# show running-config vsx-sync Current vsx-sync configuration: ! !Version ArubaOS-CX GL.10.04.0001 !export-password: default ! ssh server vrf mgmt ! vsx system-mac 02:01:00:00:01:00 vsx-sync aaa acl-log-timer bfd-global bgp copp-policy dhcp-relay dhcp-server dhcp-snooping dns lldp loop-protect- global mclag-interfaces ospf qos-global route-map sflow-global snmp ssh stp-global time vsx-global  AGG-2# show running-config   begin 0 vsx vsx vsx-sync aaa acl-log-timer bfd-global bgp copp-policy dhcp-relay dhcp-server dhcp-snooping dns icmp-tcp lldp loop- protect-global mac-lockout mclag-interfaces neighbor ospf qos-global route-map sflow-global snmp ssh stp-global time vsx-global</pre>	

### Step #6 : VSX split-recovery

The best practice for VSX split-recovery is to keep the default split-recovery enabled (no configuration change). This best practice might be revisited in case of VSX and VXLAN.

AGG-1	AGG-2
AGG-1# show vsx configuration split-recovery Split Recovery Mode : Enabled	AGG-2# show vsx configuration split-recovery Split Recovery Mode : Enabled

### Step #7 : VSX linkup-delay-timer

The best practice for VSX linkup-delay-timer for mid-size network (<10k MAC/ARP) is to keep the default timer.

AGG-1 / AGG-2 (mid-size network)	
AGG-1# show vsx status linkup-delay	
Configured linkup delay-timer	: 180 seconds
Initial sync status	: Completed
Delay timer status	: Completed
Linkup Delay time left	:
Interfaces that will be brought up after delay timer expires	:
Interfaces that are excluded from delay timer	:
AGG-2# show vsx status linkup-delay	
Configured linkup delay-timer	: 180 seconds
Initial sync status	: Completed
Delay timer status	: Completed
Linkup Delay time left	:
Interfaces that will be brought up after delay timer expires	:
Interfaces that are excluded from delay timer	:

The best practice for VSX linkup-delay-timer for large-size network (>10k MAC/ARP) is to set the linkup-delay-timer to the maximum value: 600 (i.e. 600 seconds). VSX will auto-adapt the actual timer based on the completion of tables exchanges and ASICs readiness, so that the time to wait for VSX LAG links being activated is less than or equal to the maximum timer being set.

AGG-1(config)# (large-size network)	AGG-2(config)# (large-size network)
AGG-1(config)# vsx AGG-1(config-vsx)# linkup-delay-timer 600	<b>synchronized</b>
AGG-1 / AGG-2 (large-size network)	
AGG-1# show running-config vsx	
vsx	
system-mac 02:01:00:00:01:00	
inter-switch-link lag 256	
role primary	
keepalive peer 192.168.0.1 source 192.168.0.0 vrf KA	
linkup-delay-timer 600	
AGG-2# show run vsx	
vsx	
system-mac 02:01:00:00:01:00	
inter-switch-link lag 256	
role secondary	
keepalive peer 192.168.0.0 source 192.168.0.1 vrf KA	
linkup-delay-timer 600	
AGG-1# show vsx status linkup-delay	
Configured linkup delay-timer	: 600 seconds
Initial sync status	: Completed
Delay timer status	: Completed
Linkup Delay time left	:
Interfaces that will be brought up after delay timer expires	:
Interfaces that are excluded from delay timer	:
AGG-2# show vsx status linkup-delay	
Configured linkup delay-timer	: 600 seconds
Initial sync status	: Completed
Delay timer status	: Completed
Linkup Delay time left	:
Interfaces that will be brought up after delay timer expires	:

```
Interfaces that are excluded from delay timer :
```

### Step #8 : VLANs configuration

The **best practice for VLANs configuration** is to configure the VLANs on the VSX primary with the vsx-sync attribute and let the VSX config-sync automatically synchronize the VLANs on the VSX secondary. Here, VLAN 10, 20 to 30 are the endpoints VLANs.

AGG-1(config)#	AGG-2(config)#																																				
<pre>AGG-1(config)# vlan 10,20-30 AGG-1(config-vlan-&lt;10,20-30&gt;)# vsx-sync  AGG-1# show run Current configuration: .....skipped for readability vlan 10     vsx-sync vlan 20     vsx-sync .....skipped for readability vlan 29     vsx-sync vlan 30     vsx-sync</pre>	<div style="text-align: center; background-color: orange; color: white; padding: 2px; border-radius: 5px; display: inline-block;">synchronized</div> <pre>AGG-2# show run Current configuration: .....skipped for readability vlan 10     vsx-sync vlan 20     vsx-sync .....skipped for readability vlan 29     vsx-sync vlan 30     vsx-sync</pre>																																				
AGG-1 / AGG-2																																					
<pre>AGG-2# show vlan</pre> <table border="1"> <thead> <tr> <th>VLAN</th> <th>Name</th> <th>Status</th> <th>Reason</th> <th>Type</th> <th>Interfaces</th> </tr> </thead> <tbody> <tr> <td>1</td> <td>DEFAULT_VLAN_1</td> <td>up</td> <td>ok</td> <td>default</td> <td>lag256</td> </tr> <tr> <td>10</td> <td>VLAN10</td> <td>up</td> <td>ok</td> <td>static</td> <td>lag256</td> </tr> <tr> <td>20</td> <td>VLAN20</td> <td>up</td> <td>ok</td> <td>static</td> <td>lag256</td> </tr> <tr> <td>29</td> <td>VLAN29</td> <td>up</td> <td>ok</td> <td>static</td> <td>lag256</td> </tr> <tr> <td>30</td> <td>VLAN30</td> <td>up</td> <td>ok</td> <td>static</td> <td>lag256</td> </tr> </tbody> </table>		VLAN	Name	Status	Reason	Type	Interfaces	1	DEFAULT_VLAN_1	up	ok	default	lag256	10	VLAN10	up	ok	static	lag256	20	VLAN20	up	ok	static	lag256	29	VLAN29	up	ok	static	lag256	30	VLAN30	up	ok	static	lag256
VLAN	Name	Status	Reason	Type	Interfaces																																
1	DEFAULT_VLAN_1	up	ok	default	lag256																																
10	VLAN10	up	ok	static	lag256																																
20	VLAN20	up	ok	static	lag256																																
29	VLAN29	up	ok	static	lag256																																
30	VLAN30	up	ok	static	lag256																																

Note: if vsx-sync attribute is removed from the configuration element on the VSX primary the configuration item will stay on the VSX secondary without the vsx-sync keyword. Consequently, if an item is then removed from the VSX primary, it will stay on the VSX secondary.

### Step #9 : Downstream VSX LAG (MCLAG) configuration

In this section, for simplicity, it is assumed that the connected Access Switch is already configured with uplinks link-aggregation and trunked VLANs. The **best practice for VSX LAG** is to create the multi-chassis lag interface on the VSX primary with all settings and then create the mirrored lag interface on the VSX secondary. LAG interface settings (including description) will be synchronized automatically. Only “no shut” in the lag interface context has to be performed on the VSX secondary. Once the multi-chassis lag interface is created, it can be assigned to the physical port.

The **best practice for allowed VLANs** is to exclude the native VLAN 1 from being propagated. This is a very robust method to avoid Layer2 storm propagation due to potential loop initiated on an access switch. In case of access switch Zero-Touch-Provisioning use-case., this trunking exclusion is performed after the ZTP process.

The **best practice for LAG numbering** is to use LAG ID=1 for connecting the Access Switch#1 on port 1/1/1, LAG 2 used to connect a second Access Switch on port 1/1/2, and so on...

The **best practice for LACP timers** on the VSX LAG is to keep the default long timer (30s = lacp rate slow).

The **best practice for MTU** is to configure on all devices the appropriate size to support features such as Dynamic Segmentation or server jumbo frame. Care should be taken to ensure that the IP path from the access devices (switches or APs) can provide a MTU of at least 1564 bytes to the mobility controllers and that the server jumbo packet of 9000 bytes can be encapsulated. Flexibility should be anticipated to perform VXLAN encapsulation from the access switch (9000+50) or VXLAN encapsulation from the aggregation layer MTU+50. So the



recommended Ethernet MTU is 9100 bytes for the downstream VSX LAG to the access layer and a MTU of 9000 bytes for endpoints or servers. The SVI IP MTU should match the MTU size on the aggregation layer, so the recommended IP MTU is 9100 bytes.

The **best practice for hashing algorithm** on the VSX LAG is to keep the default I3-src-dst (alternative being I2-src-dst). This option has an effect only if at least 2 ports per VSX node are members of the same VSX LAG.

Note: Most of the time the VSX LAG includes only two links: one link from the primary and one link from the secondary. Consequently, hashing algorithm selection has no effect on the traffic path as it is forwarded to the local port of the VSX LAG on the switch receiving the traffic.

AGG-1(config)#	AGG-2(config)#
<pre>interface lag 1 multi-chassis   description Access-Switch-1 VSX LAG   no shutdown   vlan trunk allowed 10,20-30  interface 1/1/1   no shutdown   mtu 9100   description ACC-1   lag 1</pre>	<pre>interface lag 1 multi-chassis   no shutdown  interface 1/1/1   no shutdown   mtu 9100   description ACC-1   lag 1</pre>

**synchronized**

---

**AGG-1 / AGG-2**

```
AGG-1# show lacp interfaces multi-chassis

State abbreviations :
A - Active          P - Passive          F - Aggregable I - Individual
S - Short-timeout  L - Long-timeout  N - InSync         O - OutofSync
C - Collecting     D - Distributing
X - State m/c expired      E - Default neighbor state

Actor details of all interfaces:
-----
Intf   Aggregate  Port  Port  State  System-ID          System  Aggr
      name      id    Priority  State  System-ID          Priority Key
-----
1/1/1  lag1(mc)   1     1     ALFNCD 02:01:00:00:01:00 65534  1

Partner details of all interfaces:
-----
Intf   Aggregate  Partner Port  State  System-ID          System  Aggr
      name      name    Port-id Priority  State  System-ID          Priority Key
-----
1/1/1  lag1(mc)   lag1(mc) 49    0     ALFNCD ec:eb:b8:d0:51:00 20736  532

Remote Actor details of all interfaces:
-----
Intf   Aggregate  Port  Port  State  System-ID          System  Aggr
      name      id    Priority  State  System-ID          Priority Key
-----
1/1/1  lag1(mc)   1001  1     ALFNCD 02:01:00:00:01:00 65534  1

Remote Partner details of all interfaces:
-----
Intf   Aggregate  Partner Port  State  System-ID          System  Aggr
      name      name    Port-id Priority  State  System-ID          Priority Key
-----
1/1/1  lag1(mc)   lag1(mc) 50    0     ALFNCD ec:eb:b8:d0:51:00 20736  532
```

The "show lacp interfaces multi-chassis" command is very useful to get a complete status of the local LACP partnership as well as the VSX peer partnership details. Actor = local node, Partner = LACP neighbor (the access switch), Remote Actor = the VSX peer, Remote Partner = LACP neighbor of the VSX peer. Note that the port id of the VSX secondary is equal to 1000+ID\_of\_the\_primary (in the example 1001). ALFNCD LACP state-flags should appear on all entries.

The best practice for LACP fallback feature is to enable it on the VSX LAGs for the following use-cases: PXE boot, access switch ZTP, server NIC driver migration from active/standby to LACP. When applied to the VSX primary, LACP fallback is automatically synced on the VSX secondary.

AGG-1(config)#	AGG-2(config)#
<pre>interface lag 1 multi-chassis   lacp fallback  AGG-1# show run Current configuration: .....skipped for readability interface lag 1 multi-chassis   no shutdown   description Access-Switch-1 VSX LAG   no routing   vlan trunk native 1   vlan trunk allowed 10,20-30   lacp mode active   lacp fallback</pre>	<p style="text-align: center;"><b>synchronized</b></p> <pre>AGG-2# show run Current configuration: .....skipped for readability interface lag 1 multi-chassis   no shutdown   description Access-Switch-1 VSX LAG   no routing   vlan trunk native 1   vlan trunk allowed 10,20-30   lacp mode active   lacp fallback</pre>

Further on in this document, lacp fallback is no longer shown as this is reserved for the previous indicated use-cases.

### Step #10 : MSTP configuration

The best practice on Aggregation layer are:

- No loop-protect (MSTP used instead).
- Use the **default common instance 0**: MST0
- Lower the **spanning-tree priority to 4** to make VSX aggregation the STP root bridge (easier for support)
- Use **root-guard** on all downlinks to prevent any access switches from becoming Root Bridge.
- Keep the default **port-type admin-network**
- Let VSX secondary synchronized by vsx-sync process.

AGG-1(config)#	AGG-2(config)#
<pre>spanning-tree spanning-tree priority 4 spanning-tree trap topology-change instance 0  interface lag 1 multi-chassis   no shutdown   description Access-Switch-1 VSX LAG   no routing   vlan trunk native 1   vlan trunk allowed 10,20-30   lacp mode active   spanning-tree root-guard  AGG-1# show run Current configuration: .....skipped for readability spanning-tree spanning-tree priority 4 spanning-tree trap topology-change instance 0 .....skipped for readability interface lag 1 multi-chassis   no shutdown   description Access-Switch-1 VSX LAG   no routing   vlan trunk native 1   vlan trunk allowed 10,20-30   lacp mode active   spanning-tree root-guard .....skipped for readability</pre>	<p style="text-align: center;"><b>synchronized</b></p> <p style="text-align: center;"><b>synchronized</b></p> <pre>AGG-2# show run Current configuration: .....skipped for readability spanning-tree spanning-tree priority 4 <b>spanning-tree trap topology-change instance 0</b> .....skipped for readability interface lag 1 multi-chassis   no shutdown   description Access-Switch-1 VSX LAG   no routing   vlan trunk native 1   vlan trunk allowed 10,20-30   lacp mode active   spanning-tree root-guard .....skipped for readability</pre>
<b>AGG-1 / AGG-2</b>	

```
AGG-1# show spanning-tree mst 0 int lag1 detail
Port lag1
Port Type : admin-network      Loop Guard : disable
Link Type : point_to_point    BPDU Filter : disable
Boundary : internal           BPDU Guard : disable
Root Guard: enable

Instance      Role          State          Cost          Priority      Vlans mapped
-----
0             Designated   Forwarding    20000         64           1-4094

Port lag1
Designated root address       : 02:01:00:00:01:00
Designated regional root address : 02:01:00:00:01:00
Designated bridge address     : 02:01:00:00:01:00 Priority : 16384
Multi-Chassis role           : active
Timers:      Message expires in 0 sec, Forward delay expiry:18, Forward transitions:1
Bpdus sent 19295, received 2
TCN_Tx: 4, TCN_Rx: 2
```

The best practice on Access layer are:

- Use loop-protect for all endpoint access ports (not configured on uplinks). Set the re-enable timer to 1hour.
- Keep the **default common instance 0**: MST0
- Keep the **default spanning-tree priority** of 8.
- All endpoint access ports are **admin-edge**, should not receive any BPDU (**BDPU guard**), should not trigger any Topology Change Notification (**tcn-guard**).
- Use loop-protection on all endpoint access ports as an extra-protection mechanism (in case of MSTP BPDUs are filtered by insertion of unmanaged switches which create a loop).
- Use **loop-guard** on all uplinks to prevent any flood due to failure of BPDU reception (fiber strand cut).

#### ACC-1(config)#

```
spanning-tree
loop-protect re-enable-timer 3600
interface lag 1
  no shutdown
  description UPLINK to AGG
  no routing
  vlan trunk native 1
  vlan trunk allowed 10,20
  lacp mode active
  spanning-tree loop-guard
interface 1/1/1
  no shutdown
  description Endpoint1
  no routing
  vlan access 10
  spanning-tree bpdu-guard
  spanning-tree port-type admin-edge
  spanning-tree tcn-guard
  loop-protect

ACC-1# show spanning-tree mst 0 interface lag1 detail
Port lag1
Port Type : admin-network      Loop Guard : enable
Link Type : point_to_point    BPDU Filter : disable
Boundary : internal           BPDU Guard : disable
Root Guard: disable

Instance      Role          State          Cost          Priority      Vlans mapped
-----
0             Root          Forwarding    20000         64           1-4094

Port lag1
```

```

Designated root address      : 02:01:00:00:01:00
Designated regional root address : 08:00:09:72:61:c6
Designated bridge address    : 02:01:00:00:01:00 Priority : 32768
Timers: Message expires in 0 sec, Forward delay expiry:1, Forward transitions:9
Bpdus sent 31, received 145466
TCN_Tx: 18, TCN_Rx: 20

```

ACC-1# show spanning-tree mst 0 interface 1/1/1 detail

```

Port 1/1/1
Port Type : admin-edge      Loop Guard : disable
Link Type : point_to_point  BPDU Filter : disable
Boundary  : internal        BPDU Guard : enable
Root Guard: disable

```

Instance	Role	State	Cost	Priority	Vlans mapped
0	Designated	Forwarding	20000	128	1-4094

```

Port 1/1/1
Designated root address      : 02:01:00:00:01:00
Designated regional root address : 08:00:09:72:61:c6
Designated bridge address    : 02:01:00:00:01:00 Priority : 32768
Timers: Message expires in 0 sec, Forward delay expiry:1, Forward transitions:1
Bpdus sent 160124, received 0
TCN_Tx: 0, TCN_Rx: 0

```

### Step #11 : VSX LAG ACL configuration

If any ACL is used, the best practice is to have ACLs synchronized on secondary through vsx-sync. Any ACL applied on a VSX LAG on the VSX primary will get applied on the VSX secondary as well.

AGG-1(config)#	AGG-2(config)#
<pre> access-list ip IOT-1   vsx-sync   !   5 permit tcp 10.1.0.0/255.255.0.0 10.99.1.0/255.255.255.0 eq 1080   10 deny any 10.1.0.0/255.255.0.0 10.99.1.0/255.255.255.0   1000 permit any any any  interface lag 1 multi-chassis   apply access-list ip IOT-1 in  AGG-1# show run Current configuration: .....skipped for readability access-list ip IOT-1   vsx-sync   !   5 permit tcp 10.1.0.0/255.255.0.0 10.99.1.0/255.255.255.0 eq 1080   10 deny any 10.1.0.0/255.255.0.0 10.99.1.0/255.255.255.0   1000 permit any any any .....skipped for readability interface lag 1 multi-chassis   no shutdown   description Access-Switch-1 VSX LAG   no routing   vlan trunk native 1   vlan trunk allowed 10,20-30   lacp mode active   spanning-tree root-guard   apply access-list ip IOT-1 in .....skipped for readability </pre>	<pre> AGG-2# show run Current configuration: .....skipped for readability access-list ip IOT-1   vsx-sync   !   5 permit tcp 10.1.0.0/255.255.0.0 10.99.1.0/255.255.255.0 eq 1080   10 deny any 10.1.0.0/255.255.0.0 10.99.1.0/255.255.255.0   1000 permit any any any .....skipped for readability interface lag 1 multi-chassis   no shutdown   description Access-Switch-1 VSX LAG   no routing   vlan trunk native 1   vlan trunk allowed 10,20-30   lacp mode active   spanning-tree root-guard   apply access-list ip IOT-1 in .....skipped for readability </pre>
<pre> AGG-1 / AGG-2 AGG-1# show access-list commands access-list ip IOT-1   vsx-sync </pre>	

```

!
5 permit tcp 10.1.0.0/255.255.0.0 10.99.1.0/255.255.255.0 eq 1080
10 deny any 10.1.0.0/255.255.0.0 10.99.1.0/255.255.255.0
1000 permit any any any
interface lag 1
  apply access-list ip IOT-1 in

```

### Step #12 : VSX LAG QoS configuration

QoS Marking being performed on the access layer, the aggregation switch is configure in the global context with **qos trust dscp**. No further configuration is needed as this was already set in step#1.

### Step #13 : SVI (VLAN L3 interface) configuration

The **best practice for SVI active-gateway** is to set the active-gateway Virtual IP and Virtual MAC on the VSX primary and get the value synchronized on the VSX secondary with **vsx-sync** command.

The **best practice for active-gateway VMAC** is to use the **same VMAC for all IPv4 SVIs**. The scope of this VMAC is purely link-local. If some servers or systems have dual-attachment to two different SVIs, and the system administrator would like to see distinct MAC addresses for the next-hops over these separate interfaces, then 16 VMACs are available. For dual-stack IPv4 and IPv6, 16 VMACs can be used for IPv4 and the same VMACs can be used for IPv6. It is however a **best practice to use only 8 VMACs for IPv4 and 8 different VMACs for IPv6**.

If **mutlinetting is used**, set one VIP per secondary subnet and **disable ip icmp redirect**.

The **best practice for IP MTU** is to configure on all SVIs the matching size of the L2 MTU: IP MTU recommended value = 9100. This parameter must be identical and manually set on both VSX nodes.

The **best practice for DHCP relay** is to configure the ip helper-address on the VSX primary and let vsx-sync configuring the same on the VSX secondary.

AGG-1(config)#	AGG-2(config)#
<pre> no ip icmp redirect  interface vlan10   vsx-sync active-gateways   ip mtu 9100   ip address 10.1.10.2/24   ip address 10.2.10.2/24 secondary   active-gateway ip mac 12:01:00:00:01:00   active-gateway ip 10.1.10.1   active-gateway ip 10.2.10.1   ip helper-address 10.99.10.9  interface vlan20   vsx-sync active-gateways   ip mtu 9100   ip address 10.1.20.2/24   ip address 10.2.20.2/24 secondary   active-gateway ip mac 12:01:00:00:01:00   active-gateway ip 10.1.20.1   active-gateway ip 10.2.20.1   ip helper-address 10.99.10.9  AGG-1# show run Current configuration: no ip icmp redirect .....skipped for readability interface vlan10   vsx-sync active-gateways   ip mtu 9100   ip address 10.1.10.2/24   ip address 10.2.10.2/24 secondary   active-gateway ip mac 12:01:00:00:01:00   active-gateway ip 10.1.10.1   active-gateway ip 10.2.10.1   ip helper-address 10.99.10.9 interface vlan20 </pre>	<pre> interface vlan10   ip mtu 9100   ip address 10.1.10.3/24   ip address 10.2.10.3/24 secondary  interface vlan20   ip mtu 9100   ip address 10.1.20.3/24   ip address 10.2.20.3/24 secondary  AGG-2# show run Current configuration: no ip icmp redirect .....skipped for readability interface vlan10   vsx-sync active-gateways   ip mtu 9100   ip address 10.1.10.3/24   ip address 10.2.10.3/24 secondary   active-gateway ip mac 12:01:00:00:01:00   active-gateway ip 10.1.10.1   active-gateway ip 10.2.10.1   ip helper-address 10.99.10.9 interface vlan20 </pre>

<pre>vsx-sync active-gateways ip mtu 9100 ip address 10.1.20.2/24 ip address 10.2.20.2/24 secondary active-gateway ip mac 12:01:00:00:01:00 active-gateway ip 10.1.20.1 active-gateway ip 10.2.20.1 ip helper-address 10.99.10.9 .....skipped for readability</pre>	<pre>vsx-sync active-gateways ip mtu 9100 ip address 10.1.20.3/24 ip address 10.2.20.3/24 secondary active-gateway ip mac 12:01:00:00:01:00 active-gateway ip 10.1.20.1 active-gateway ip 10.2.20.1 ip helper-address 10.99.10.9 .....skipped for readability</pre>
<p><b>AGG-1 / AGG-2</b></p>	
<pre>AGG-1# show ip interface vlan10  Interface vlan10 is up Admin state is up Hardware: Ethernet, MAC Address: 08:00:09:94:00:b8 IP MTU 9100 IPv4 address 10.1.10.2/24 IPv4 address 10.2.10.2/24 secondary active-gateway ip mac 12:01:00:00:01:00 active-gateway ip 10.1.10.1 active-gateway ip 10.2.10.1 L3 Counters: Rx Disabled, Tx Disabled Rx     ucast: 0 packets, 0 bytes     mcast: 0 packets, 0 bytes Tx     ucast: 0 packets, 0 bytes     mcast: 0 packets, 0 bytes  AGG-1# show ip interface vlan10 vsx-peer  Interface vlan10 is up Admin state is up Hardware: Ethernet, MAC Address: 08:00:09:b5:e8:2d IP MTU 9100 IPv4 address 10.1.10.3/24 IPv4 address 10.2.10.3/24 secondary active-gateway ip mac 12:01:00:00:01:00 active-gateway ip 10.1.10.1 active-gateway ip 10.2.10.1 L3 Counters: Rx Disabled, Tx Disabled Rx     ucast: 0 packets, 0 bytes     mcast: 0 packets, 0 bytes Tx     ucast: 0 packets, 0 bytes     mcast: 0 packets, 0 bytes</pre>	

### Step #14 : OSPF configuration

It is a **best practice to create a dedicated Transit VLAN** between the VSX primary and the VSX secondary to exchange routes information for subnets that are not attached to both VSX nodes (ex: loopback addresses of each VSX node). This dedicated Transit VLAN (here VLAN 2) provides better control and will not carry user data traffic in nominal situation or very limited in case of east-west traffic between single-attached endpoints.

There are two strategies to inject endpoint subnets into the routing table: either through OSPF or through BGP

- OSPF: Most of the Campus deployments use OSPF to exchange route information for end-devices. This is simple and can scale very well with appropriate usage of areas. This is the target of this current document.
- BGP: Lot of new DC deployment use BGP as a routing protocol due to the usage of EVPN based VXLAN. Such a design is coming in the Campus as well. Also, for more complex and granular routing engineering, BGP communities and route-map can offer a level of control that OSPF can not provide. This can be exposed in a future white paper.

There are two options to inject end-user subnets into OSPF DataBase: using ospf command on the SVI (VLAN L3 interface), or redistributing the connected into OSPF with route-map control. The **best practice is to use the ospf command on SVI** as offering a simpler configuration like for the area the subnets belongs to. This principle is selected as the OSPF best practice in the following described configuration. More details on OSPF best practices can be found on IP routing configuration guide.

The **best practice for point-to-point interconnectivity subnet** is to use /31 subnet.

The **best practice for OSPF configuration** is to use vsx-sync ospf synchronization option and have OSPF parameters automatically synced on the VSX secondary. As shown on the configuration step, very few elements have to be configured on the secondary. Pay attention that to obtain such a benefit, the interface ID should be identical; i.e. if interface 1/1/49 is used for uplink on the VSX primary, it is strongly recommended to use the same ID 1/1/49 on the VSX secondary, otherwise OSPF synchronization will not synchronized the proper interface.

The **best practice for OSPF cost** is to have VSX primary <-> VSX secondary cost lower than Core-1 <-> Core-2 cost, as it is frequent that the ISL bandwidth is higher than the inter core devices bandwidth. In case of single-attachment subnet on one of the VSX node and non-meshed topology, the traffic from core would be sent to the VSX peer closest to the attached destination, avoiding consuming inter-core bandwidth. Same concept applies for south-to north traffic pattern. In the below example, OSPF cost for Transit VLAN over ISL is set to 50, and 1000 for Core devices. OSPF cost is synchronized from the VSX primary to the VSX secondary, so the importance to use mirrored interface ID.

AGG-1(config)#	AGG-2(config)#
<pre>router ospf 1   router-id 10.0.1.1   max-metric router-lsa on-startup   passive-interface default   graceful-restart restart-interval 300   trap-enable   area 0 interface loopback 0   ip address 10.0.1.1/32   ip ospf 1 area 0 vlan 2   vsx-sync   description TRANSIT VLAN interface vlan2   ip address 10.0.2.1/30   ip ospf 1 area 0   no ip ospf passive   ip ospf cost 50   ip ospf network point-to-point   ip ospf authentication message-digest   ip ospf message-digest-key 1 md5 plaintext yourpass interface vlan10   ip ospf 1 area 0.0.0.0 interface vlan20   ip ospf 1 area 0.0.0.0 interface 1/1/49   no shutdown   mtu 9198   description CORE-1 1/1/1   ip mtu 9198   ip address 10.0.0.1/31   ip ospf 1 area 0.0.0.0   no ip ospf passive   ip ospf cost 1000   ip ospf network point-to-point   ip ospf authentication message-digest   ip ospf message-digest-key 1 md5 plaintext yourpass interface 1/1/50   no shutdown   mtu 9198   description CORE-2 1/1/1   ip mtu 9198   ip address 10.0.0.3/31   ip ospf 1 area 0.0.0.0</pre>	<pre>router ospf 1   router-id 10.0.1.2 synchronized  interface loopback 0   ip address 10.0.1.2/32 synchronized  interface vlan2   ip address 10.0.2.2/30 synchronized  interface 1/1/49   no shutdown   mtu 9198   description CORE-1 1/1/2   ip mtu 9198   ip address 10.0.0.5/31 synchronized  interface 1/1/50   no shutdown   mtu 9198   description CORE-2 1/1/2   ip mtu 9198   ip address 10.0.0.7/31</pre>

```
no ip ospf passive
ip ospf cost 1000
ip ospf network point-to-point
ip ospf authentication message-digest
ip ospf message-digest-key 1 md5 plaintext yourpass
```

AGG-1# show lldp neighbor-info

LLDP Neighbor Information  
=====

```
Total Neighbor Entries      : 6
Total Neighbor Entries Deleted : 0
Total Neighbor Entries Dropped : 0
Total Neighbor Entries Aged-Out : 0
```

LOCAL-PORT TTL	CHASSIS-ID SYS-NAME	PORT-ID	PORT-DESC
1/1/1	08:00:09:72:61:c6	1/1/49	1/1/49
120	ACC-1		
1/1/48	08:00:09:9a:9b:10	1/1/48	1/1/48
120	AGG-2		
1/1/49	08:00:09:ac:6e:b7	1/1/1	1/1/1
120	CORE-1		
1/1/50	08:00:09:4a:f4:ad	1/1/1	1/1/1
120	CORE-2		
1/1/55	08:00:09:9a:9b:10	1/1/55	1/1/55
120	AGG-2		
1/1/56	08:00:09:9a:9b:10	1/1/56	1/1/56
120	AGG-2		

AGG-1# show run

Current configuration:

```
.....skipped for readability
router ospf 1
  router-id 10.0.1.1
  max-metric router-lsa on-startup
  passive-interface default
  graceful-restart restart-interval 300
  trap-enable
  area 0.0.0.0
.....skipped for readability
vlan 2
  vsx-sync
  description TRANSIT VLAN
.....skipped for readability
interface 1/1/49
  no shutdown
  mtu 9198
  description CORE-1 1/1/1
  ip mtu 9198
  ip address 10.0.0.1/31
  ip ospf 1 area 0.0.0.0
  no ip ospf passive
  ip ospf cost 1000
  ip ospf network point-to-point
  ip ospf authentication message-digest
  ip ospf message-digest-key 1 md5 ciphertext
AQBapcc35qrr0SnZBBka0Zg17scoOzf9+wPnYW36nvk3HA5oBQAAAJb1UbL
X
interface 1/1/50
  no shutdown
  mtu 9198
  description CORE-2 1/1/1
  ip mtu 9198
  ip address 10.0.0.3/31
  ip ospf 1 area 0.0.0.0
  no ip ospf passive
  ip ospf cost 1000
```

synchronized

AGG-2# show lldp neighbor-info

LLDP Neighbor Information  
=====

```
Total Neighbor Entries      : 6
Total Neighbor Entries Deleted : 1
Total Neighbor Entries Dropped : 0
Total Neighbor Entries Aged-Out : 1
```

LOCAL-PORT TTL	CHASSIS-ID SYS-NAME	PORT-ID	PORT-DESC
1/1/1	08:00:09:72:61:c6	1/1/50	1/1/50
120	ACC-1		
1/1/48	08:00:09:b0:c4:aa	1/1/48	1/1/48
120	AGG-1		
1/1/49	08:00:09:ac:6e:b7	1/1/2	1/1/2
120	CORE-1		
1/1/50	08:00:09:4a:f4:ad	1/1/2	1/1/2
120	CORE-2		
1/1/55	08:00:09:b0:c4:aa	1/1/55	1/1/55
120	AGG-1		
1/1/56	08:00:09:b0:c4:aa	1/1/56	1/1/56
120	AGG-1		

AGG-2# show run

Current configuration:

```
.....skipped for readability
router ospf 1
  router-id 10.0.1.2
  max-metric router-lsa on-startup
  passive-interface default
  graceful-restart restart-interval 300
  trap-enable
  area 0.0.0.0
.....skipped for readability
vlan 2
  vsx-sync
  description TRANSIT VLAN
.....skipped for readability
interface 1/1/49
  no shutdown
  mtu 9198
  description CORE-1 1/1/2
  ip mtu 9198
  ip address 10.0.0.5/31
  ip ospf 1 area 0.0.0.0
  no ip ospf passive
  ip ospf cost 1000
  ip ospf network point-to-point
  ip ospf authentication message-digest
  ip ospf message-digest-key 1 md5 ciphertext
AQBapcc35qrr0SnZBBka0Zg17scoOzf9+wPnYW36nvk3HA5oBQAAAJb1U
bLX
interface 1/1/50
  no shutdown
  mtu 9198
  description CORE-2 1/1/2
  ip mtu 9198
  ip address 10.0.0.7/31
  ip ospf 1 area 0.0.0.0
  no ip ospf passive
  ip ospf cost 1000
```



```

ip ospf network point-to-point
ip ospf authentication message-digest
ip ospf message-digest-key 1 md5 ciphertext
AQBapcc35qrr0SnZBBka0Zgl7scoOzf9+wPnYW36nvk3HA5oBQAAAJb1UbL
X
.....skipped for readability
interface vlan2
ip mtu 9198
ip address 10.0.2.1/30
ip ospf 1 area 0.0.0.0
no ip ospf passive
ip ospf cost 50
ip ospf network point-to-point
ip ospf authentication message-digest
ip ospf message-digest-key 1 md5 ciphertext
AQBapcc35qrr0SnZBBka0Zgl7scoOzf9+wPnYW36nvk3HA5oBQAAAJb1UbL
X
interface vlan10
vsx-sync active-gateways
ip mtu 9100
ip address 10.1.10.2/24
ip address 10.2.10.2/24 secondary
active-gateway ip mac 12:01:00:00:01:00
active-gateway ip 10.1.10.1
active-gateway ip 10.2.10.1
ip helper-address 10.99.10.9
ip ospf 1 area 0.0.0.0
interface vlan20
vsx-sync active-gateways
ip mtu 9100
ip address 10.1.20.2/24
ip address 10.2.20.2/24 secondary
active-gateway ip mac 12:01:00:00:01:00
active-gateway ip 10.1.20.1
active-gateway ip 10.2.20.1
ip ospf 1 area 0.0.0.0

```

```

ip ospf network point-to-point
ip ospf authentication message-digest
ip ospf message-digest-key 1 md5 ciphertext
AQBapcc35qrr0SnZBBka0Zgl7scoOzf9+wPnYW36nvk3HA5oBQAAAJb1U
bLX
.....skipped for readability
interface vlan2
ip mtu 9198
ip address 10.0.2.1/30
ip ospf 1 area 0.0.0.0
no ip ospf passive
ip ospf cost 50
ip ospf network point-to-point
ip ospf authentication message-digest
ip ospf message-digest-key 1 md5 ciphertext
AQBapcc35qrr0SnZBBka0Zgl7scoOzf9+wPnYW36nvk3HA5oBQAAAJb1U
bLX
interface vlan10
vsx-sync active-gateways
ip mtu 9100
ip address 10.1.10.2/24
ip address 10.2.10.2/24 secondary
active-gateway ip mac 12:01:00:00:01:00
active-gateway ip 10.1.10.1
active-gateway ip 10.2.10.1
ip helper-address 10.99.10.9
ip ospf 1 area 0.0.0.0
interface vlan20
vsx-sync active-gateways
ip mtu 9100
ip address 10.1.20.2/24
ip address 10.2.20.2/24 secondary
active-gateway ip mac 12:01:00:00:01:00
active-gateway ip 10.1.20.1
active-gateway ip 10.2.20.1
ip ospf 1 area 0.0.0.0

```

### AGG-1 / AGG-2

```

AGG-1# show ip ospf neighbors
OSPF Process ID 1 VRF default
=====

```

Total Number of Neighbors: 3

Neighbor ID	Priority	State	Nbr Address	Interface
10.0.1.3	n/a	FULL	10.0.0.0	1/1/49
10.0.1.4	n/a	FULL	10.0.0.2	1/1/50
10.0.1.2	n/a	FULL	10.0.2.2	vlan2

```

AGG-1# show ip route

```

Displaying ipv4 routes selected for forwarding

'[x/y]' denotes [distance/metric]

```

0.0.0.0/0, vrf default
  via 10.0.0.2, [110/1], ospf
  via 10.0.0.0, [110/1], ospf
10.0.0.0/31, vrf default
  via 1/1/49, [0/0], connected
10.0.0.2/31, vrf default
  via 1/1/50, [0/0], connected
10.0.0.252/31, vrf default
  via 10.0.0.2, [110/2000], ospf
  via 10.0.0.0, [110/2000], ospf
10.0.0.6/31, vrf default
  via 10.0.2.2, [110/1050], ospf
10.0.0.4/31, vrf default
  via 10.0.2.2, [110/1050], ospf
10.0.0.1/32, vrf default
  via 1/1/49, [0/0], local

```

```

10.0.0.3/32, vrf default
  via 1/1/50, [0/0], local
10.0.1.1/32, vrf default
  via loopback0, [0/0], local
10.0.1.2/32, vrf default
  via 10.0.2.2, [110/50], ospf
10.0.1.4/32, vrf default
  via 10.0.0.2, [110/1000], ospf
10.0.1.3/32, vrf default
  via 10.0.0.0, [110/1000], ospf
10.0.2.0/30, vrf default
  via vlan2, [0/0], connected
10.0.2.1/32, vrf default
  via vlan2, [0/0], local
10.1.10.0/24, vrf default
  via vlan10, [0/0], connected
10.1.10.2/32, vrf default
  via vlan10, [0/0], local
10.1.20.0/24, vrf default
  via vlan20, [0/0], connected
10.1.20.2/32, vrf default
  via vlan20, [0/0], local
10.2.10.0/24, vrf default
  via vlan10, [0/0], connected
10.2.10.2/32, vrf default
  via vlan10, [0/0], local
10.2.20.0/24, vrf default
  via vlan20, [0/0], connected
10.2.20.2/32, vrf default
  via vlan20, [0/0], local

```

#### CORE-1 / CORE-2

```

CORE-1# show ip ospf neighbors
OSPF Process ID 1 VRF default
=====

```

Total Number of Neighbors: 3

Neighbor ID	Priority	State	Nbr Address	Interface
10.0.1.1	n/a	FULL	10.0.0.1	1/1/1
10.0.1.2	n/a	FULL	10.0.0.5	1/1/2
10.0.1.4	n/a	FULL	10.0.0.253	1/1/3

```

CORE-1# show ip route

```

Displaying ipv4 routes selected for forwarding

'[x/y]' denotes [distance/metric]

```

10.0.0.0/31, vrf default
  via 1/1/1, [0/0], connected
10.0.0.252/31, vrf default
  via 1/1/3, [0/0], connected
10.0.0.4/31, vrf default
  via 1/1/2, [0/0], connected
10.0.0.2/31, vrf default
  via 10.0.0.1, [110/2000], ospf
  via 10.0.0.253, [110/2000], ospf
10.0.0.6/31, vrf default
  via 10.0.0.253, [110/2000], ospf
  via 10.0.0.5, [110/2000], ospf
10.0.0.4/32, vrf default
  via 1/1/2, [0/0], local
10.0.0.0/32, vrf default
  via 1/1/1, [0/0], local
10.0.0.252/32, vrf default
  via 1/1/3, [0/0], local
10.0.1.3/32, vrf default
  via loopback0, [0/0], local
10.0.1.1/32, vrf default
  via 10.0.0.1, [110/1000], ospf

```

```

10.0.1.4/32, vrf default
  via 10.0.0.253, [110/1000], ospf
10.0.1.2/32, vrf default
  via 10.0.0.5, [110/1000], ospf
10.0.2.0/30, vrf default
  via 10.0.0.1, [110/1050], ospf
  via 10.0.0.5, [110/1050], ospf
10.1.10.0/24, vrf default
  via 10.0.0.1, [110/1100], ospf
  via 10.0.0.5, [110/1100], ospf
10.1.20.0/24, vrf default
  via 10.0.0.1, [110/1100], ospf
  via 10.0.0.5, [110/1100], ospf
10.2.10.0/24, vrf default
  via 10.0.0.1, [110/1000], ospf
  via 10.0.0.5, [110/1000], ospf
10.2.20.0/24, vrf default
  via 10.0.0.1, [110/1000], ospf
  via 10.0.0.5, [110/1000], ospf

```

### Step #15 : BGP configuration

Please read the IP routing guide.

**Note:** VSX provides capability to synchronize the full BGP configuration between the VSX primary and the VSX secondary. Most of the BGP configuration of the VSX secondary is the same than on the VSX primary. Except the configuration for iBGP peering between the VSX nodes inside the cluster, or for remote eBGP upstream peers with neighbor IP address being the physical IP address of the L3 point-to-point circuit (ex: here 1/1/50 with 10.0.0.6/31 remote IP address). In such a case, the specific neighbor parameters are excluded from the VSX configuration synchronization with the following command on the VSX primary only: `neighbor <IP_address> vsx-sync-exclude`

### Step #16 : Multicast configuration

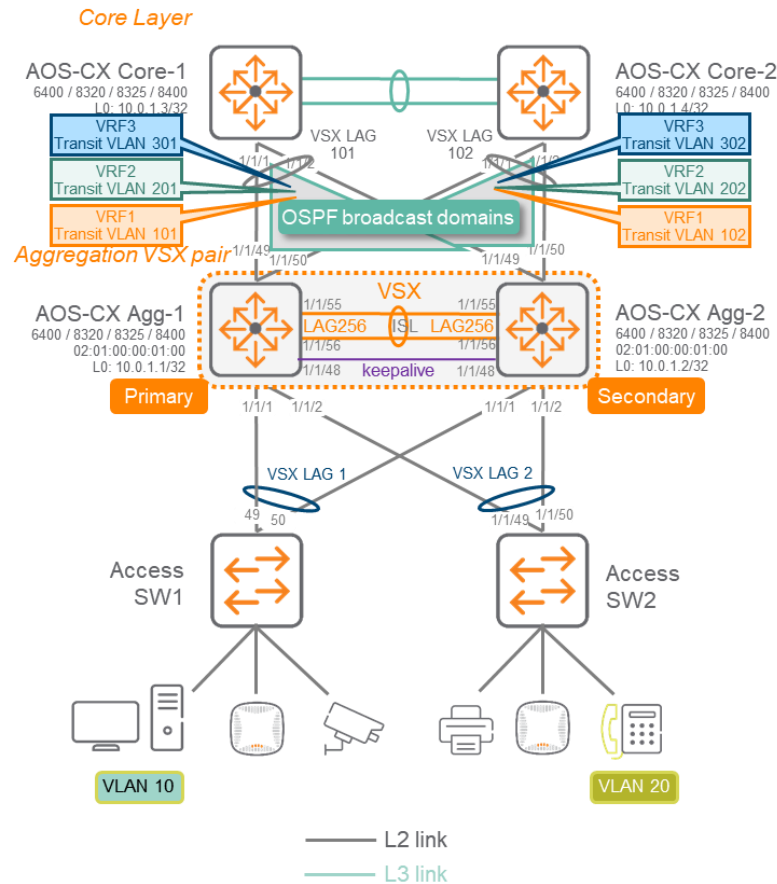
Please read the Multicast guide.

For multicast on VSX cluster, the **best practice is to configure PIM Dual-DR or active/active** under the PIM router command. With active-active command, the proxy-DR will also learn the multicast routes, and will allow fast recovery time if the actual DR fails.

AGG-1(config)#	AGG-2(config)#
<pre> router pim   enable   active-active  show ip pim interface vlan10  PIM Interfaces  VRF: default  Interface : vlan10 IP Address : 10.1.10.2/24 Mode      : sparse  Designated Router : 10.1.10.2 Proxy DR          : false Hello Interval (sec) : 30 Hello Delay (sec)   : 5  Override Interval (msec) : 2500      Lan Prune Delay              : Yes Propagation Delay (msec) : 500 : 200 Neighbor Timeout   : 0 </pre>	<pre> router pim   enable   active-active  <b>show ip pim interface vlan10</b>  PIM Interfaces  VRF: default  Interface : vlan10 IP Address : 10.1.10.3/24 Mode      : sparse  Designated Router : 10.1.10.3 Proxy DR          : true Hello Interval (sec) : 30 Hello Delay (sec)   : 5  Override Interval (msec) : 2500      Lan Prune Delay              : Yes Propagation Delay (msec) : 500 Priority           : 1 Neighbor Timeout   : 0 </pre>

## Aggregation VSX with multiple VRF routing model

Here is the typical topology:



It is assumed that VRFs are already created in the configuration. VRF names must be meaningful for the operational support. In the document, VRF1, VRF2, VRF3 are used for obvious generic purpose. VRFs are not synchronized by vsx-sync process, so they have to be created manually on both VSX primary and VSX secondary.

**Step #0 to Step#9: follow same steps than for the single VRF scenario**

### Step #10 : Configure VRF Transit VLANs

The **best practice for upstream routing domain connectivity** is to create one Transit VLAN per VRF per upstream VSX LAG. Consequently, according to the proposed topology, for VRF1, VLAN 101 is created and configured on upstream VSX LAG connecting CORE-1 (VSX LAG 101), VLAN 102 is created on upstream VSX LAG connecting CORE-2 (VSX LAG 102). Similarly, VLAN 201 and 202 are proposed for VRF2 and VLAN 301/302 for VRF3.

**Note:** for simplicity and readability, only 2 VRFs are documented: VRF1 and VRF2. VRF3 is not included in the configuration to alleviate the document. Configuration for VRF3 or any additional VRFs is similar to VRF1 and VRF2.

These Transit VLANs 101/102 and 201/202 will also serve for VSX intra-cluster routing (unlike the single VRF scenario where a dedicated Transit VLAN (VLAN 2) was created for Transit point-to-point routing between VSX nodes).

AGG-1(config)#	AGG-2(config)#
AGG-1(config)# vlan 101	

```

AGG-1(config-vlan-101)# description TRANSIT VLAN VRF1-
CORE1
AGG-1(config-vlan-101)# vsx-sync
AGG-1(config-vlan-101)# vlan 102
AGG-1(config-vlan-102)# description TRANSIT VLAN VRF1-
CORE2
AGG-1(config-vlan-102)# vsx-sync
AGG-1(config-vlan-102)# vlan 201
AGG-1(config-vlan-201)# description TRANSIT VLAN VRF2-
CORE1
AGG-1(config-vlan-201)# vsx-sync
AGG-1(config-vlan-201)# vlan 202
AGG-1(config-vlan-202)# description TRANSIT VLAN VRF2-
CORE2
AGG-1(config-vlan-202)# vsx-sync

AGG-1# show run
Current configuration:
.....skipped for readability
vlan 10
    vsx-sync
vlan 20
    vsx-sync
.....skipped for readability
vlan 29
    vsx-sync
vlan 30
    vsx-sync
vlan 101
    vsx-sync
    description TRANSIT VLAN VRF1-CORE1
vlan 102
    vsx-sync
    description TRANSIT VLAN VRF1-CORE2
vlan 201
    vsx-sync
    description TRANSIT VLAN VRF2-CORE1
vlan 202
    vsx-sync
    description TRANSIT VLAN VRF2-CORE2

```

synchronized

```

AGG-2# show run
Current configuration:
.....skipped for readability
vlan 10
    vsx-sync
vlan 20
    vsx-sync
.....skipped for readability
vlan 29
    vsx-sync
vlan 30
    vsx-sync
vlan 101
    vsx-sync
    description TRANSIT VLAN VRF1-CORE1
vlan 102
    vsx-sync
    description TRANSIT VLAN VRF1-CORE2
vlan 201
    vsx-sync
    description TRANSIT VLAN VRF2-CORE1
vlan 202
    vsx-sync
    description TRANSIT VLAN VRF2-CORE2

```

**AGG-1 / AGG-2**

AGG-2# show vlan

VLAN	Name	Status	Reason	Type	Interfaces
1	DEFAULT_VLAN_1	up	ok	default	lag256
10	VLAN10	up	ok	static	lag1,lag256
20	VLAN20	up	ok	static	lag1,lag256
.....skipped for readability					
29	VLAN29	up	ok	static	lag1,lag256
30	VLAN30	up	ok	static	lag1,lag256
101	VLAN101	up	ok	static	lag256
102	VLAN102	up	ok	static	lag256
201	VLAN201	up	ok	static	lag256
202	VLAN202	up	ok	static	lag256

**Step #11 : Upstream VSX LAG Configuration (VSX LAG 101/102)**

In this section, for simplicity, it is assumed that the Core equipment are already configured with link-aggregation and trunked Transit VLANs. The **best practice for upstream VSX LAG** is to create the multi-chassis lag interface on the VSX primary with all settings and then create the mirrored lag interface on the VSX secondary. LAG interface settings (including description) will be synchronized automatically. Only “no shut” in the lag interface has to be performed on the VSX secondary. Once multi-chassis lag interface is created it is assigned to the physical port.

The **best practice for allowed VLANs** is to exclude the native VLAN 1 from being propagated and to allow only the Transit VLANs corresponding to the facing Core device: i.e. VSX LAG.101 permitting VLAN 101 and 201, VSX LAG 102 permitting VLAN 102 and 202.

The **best practice example for LAG numbering** is to use LAG ID=101 for connecting the Core-1, LAG ID=102 for connecting Core-2. Any other numbering practice is possible as long as it does not introduce confusion with the downstream VSX LAGs.

The **best practice for LACP timers** on the VSX LAG is to keep the default long timer (30s for lacp rate slow).

The **best practice for MTU** on these upstream VSX LAGs is to configure the maximum value (9198 bytes) like for ISL.

The **best practice for hashing algorithm** on the VSX LAG is to keep the default I3-src-dst (alternative being I2-src-dst), and would have an effect only if at least 2 ports per VSX node are members of the same VSX LAG.

AGG-1(config)#	AGG-2(config)#
<pre>interface lag 101 multi-chassis   description CORE-1 VSX LAG   no shutdown   vlan trunk allowed 101,201 interface 1/1/49   no shutdown   mtu 9198   description CORE-1 1/1/1   lag 101 interface lag 102 multi-chassis   description CORE-2 VSX LAG   no shutdown   vlan trunk allowed 102,202 interface 1/1/50   no shutdown   mtu 9198   description CORE-2 1/1/1   lag 102</pre>	<pre>interface lag 101 multi-chassis   no shutdown   synchronized interface 1/1/49   no shutdown   mtu 9198   description CORE-1 1/1/1   lag 101 interface lag 102 multi-chassis   no shutdown   synchronized interface 1/1/50   no shutdown   mtu 9198   description CORE-2 1/1/2   lag 102</pre>

#### AGG-1 / AGG-2

AGG-1# show lldp neighbor-info

LLDP Neighbor Information  
=====

Total Neighbor Entries : 6  
Total Neighbor Entries Deleted : 0  
Total Neighbor Entries Dropped : 0  
Total Neighbor Entries Aged-Out : 0

LOCAL-PORT	CHASSIS-ID	PORT-ID	PORT-DESC	TTL	SYS-NAME
1/1/1	08:00:09:72:61:c6	1/1/49	1/1/49	120	ACC-1
1/1/48	08:00:09:9a:9b:10	1/1/48	1/1/48	120	AGG-2
1/1/49	08:00:09:ac:6e:b7	1/1/1	1/1/1	120	CORE-1
1/1/50	08:00:09:4a:f4:ad	1/1/1	1/1/1	120	CORE-2
1/1/55	08:00:09:9a:9b:10	1/1/55	1/1/55	120	AGG-2
1/1/56	08:00:09:9a:9b:10	1/1/56	1/1/56	120	AGG-2

AGG-1# show lacp interfaces multi-chassis

State abbreviations :

A - Active P - Passive F - Aggregable I - Individual  
S - Short-timeout L - Long-timeout N - InSync O - OutofSync  
C - Collecting D - Distributing  
X - State m/c expired E - Default neighbor state

Actor details of all interfaces:

Intf	Aggregate name	Port id	Port Priority	State	System-ID	System Priority	Aggr Key
1/1/1	lag1(mc)	1	1	ALFNCD	02:01:00:00:01:00	65534	1
1/1/49	lag101(mc)	49	1	ALFNCD	02:01:00:00:01:00	65534	101
1/1/50	lag102(mc)	50	1	ALFNCD	02:01:00:00:01:00	65534	102

Partner details of all interfaces:

Intf	Aggregate name	Partner Port-id	Port Priority	State	System-ID	System Priority	Aggr Key
1/1/1	lag1(mc)	49	1	ALFNCD	08:00:09:72:61:c6	65534	1
1/1/49	lag101(mc)	1	1	ALFNCD	08:00:09:ac:6e:b7	65534	1
1/1/50	lag102(mc)	1	1	ALFNCD	08:00:09:4a:f4:ad	65534	1

Remote Actor details of all interfaces:

Intf	Aggregate name	Port id	Port Priority	State	System-ID	System Priority	Aggr Key
1/1/1	lag1(mc)	1001	1	ALFNCD	02:01:00:00:01:00	65534	1
1/1/49	lag101(mc)	1049	1	ALFNCD	02:01:00:00:01:00	65534	101
1/1/50	lag102(mc)	1050	1	ALFNCD	02:01:00:00:01:00	65534	102

Remote Partner details of all interfaces:

Intf	Aggregate name	Partner Port-id	Port Priority	State	System-ID	System Priority	Aggr Key
1/1/1	lag1(mc)	50	1	ALFNCD	08:00:09:72:61:c6	65534	1
1/1/49	lag101(mc)	2	1	ALFNCD	08:00:09:ac:6e:b7	65534	1
1/1/50	lag102(mc)	2	1	ALFNCD	08:00:09:4a:f4:ad	65534	1

## Step #12 : VSX linkup-delay-timer exclusion

The best practice for VSX LAG exclusion for linkup-delay-timer is to exclude the upstream VSX LAGs that are used for Transit VLANs (in the topology above, VSX LAG 101 and VSX LAG 102). By excluding these upstream VSX LAGs, the routing protocols can establish peering over upstream Transit VLANs as soon as the upstream ports (to L3 Core-1 and Core-2) are UP, without waiting for the linkup-delay timer to complete. The benefit is that routes from L3 core are already learnt when ASIC is ready to forward traffic to downstream.

AGG-1(config)#	AGG-2(config)#
AGG-1(config)# vsx AGG-1(config-vsx)# linkup-delay-timer exclude lag 101,102	AGG-2(config)# vsx AGG-2(config-vsx)# linkup-delay-timer exclude lag 101,102
<b>AGG-1 / AGG-2 (large-size network)</b>	
AGG-1# show running-config vsx	
vsx	
system-mac 02:01:00:00:01:00	
inter-switch-link lag 256	
role primary	
keepalive peer 192.168.0.1 source 192.168.0.0 vrf KA	
linkup-delay-timer exclude lag 101-102	
...	
AGG-2# show run vsx	
vsx	
system-mac 02:01:00:00:01:00	
inter-switch-link lag 256	
role secondary	
keepalive peer 192.168.0.0 source 192.168.0.1 vrf KA	
linkup-delay-timer exclude lag 101-102	
AGG-1# show vsx status linkup-delay	
Configured linkup delay-timer	: 180 seconds
Initial sync status	: Completed
Delay timer status	: Completed
Linkup Delay time left	:
Interfaces that will be brought up after delay timer expires :	
Interfaces that are excluded from delay timer	: lag101-lag102
AGG-2# show vsx status linkup-delay	
Configured linkup delay-timer	: 180 seconds
Initial sync status	: Completed
Delay timer status	: Completed

```
Linkup Delay time left :
Interfaces that will be brought up after delay timer expires :
Interfaces that are excluded from delay timer : lag101-lag102
```

Note: this setting is not synchronized by vsx-sync so it has to be manually set-up on VSX secondary.

### Step #13 : MSTP configuration

The best practice on Aggregation layer are:

- No loop-protect (MSTP used instead).
- Use the **default common instance 0**: MST0
- Lower the **spanning-tree priority to 4** to make VSX aggregation the STP root bridge (easier for support)
- Use **root-guard** on all downlinks to prevent any access switches from becoming root bridge.
- Keep the default **port-type admin-network**
- Let VSX secondary synchronized by vsx-sync process.

The best practice for the upstream VSX LAGs to the Core layer is to prevent any BPDU transmission and reception assuming a continuous forwarding state for these links. The best practice for the Core layer is to avoid any spanning-tree protocol even for such L2 transit connectivity between the core and aggregation layer. The strict provisioning and LACP usage is enough to protect against any cabling mistakes, all the other ports being L3+disabled or LACP+enabled.

AGG-1(config)#	AGG-2(config)#
<pre>spanning-tree spanning-tree priority 4 spanning-tree trap topology-change instance 0  interface lag 1 multi-chassis no shutdown description Access-Switch-1 VSX LAG no routing vlan trunk native 1 vlan trunk allowed 10,20-30 lACP mode active spanning-tree root-guard  interface lag 101 multi-chassis no shutdown description CORE-1 VSX LAG no routing vlan trunk native 1 vlan trunk allowed 101,201 lACP mode active spanning-tree bPdu-filter  interface lag 102 multi-chassis no shutdown description CORE-2 VSX LAG no routing vlan trunk native 1 vlan trunk allowed 102,202 lACP mode active spanning-tree bPdu-filter  AGG-1# show run Current configuration: .....skipped for readability spanning-tree spanning-tree priority 4 spanning-tree trap topology-change instance 0 .....skipped for readability interface lag 1 multi-chassis no shutdown description Access-Switch-1 VSX LAG</pre>	<div style="text-align: center; margin-bottom: 20px;"> <span style="background-color: #f4a460; padding: 5px 15px; border-radius: 10px;">synchronized</span> </div> <pre>AGG-2# show run Current configuration: .....skipped for readability spanning-tree spanning-tree priority 4 <b>spanning-tree trap topology-change instance 0</b> .....skipped for readability interface lag 1 multi-chassis no shutdown description Access-Switch-1 VSX LAG</pre>



```

no routing
vlan trunk native 1
vlan trunk allowed 10,20-30
lacp mode active
spanning-tree root-guard
.....skipped for readability
interface lag 101 multi-chassis
no shutdown
description CORE-1 VSX LAG
no routing
vlan trunk native 1
vlan trunk allowed 101,201
lacp mode active
spanning-tree bpdu-filter
interface lag 102 multi-chassis
no shutdown
description CORE-2 VSX LAG
no routing
vlan trunk native 1
vlan trunk allowed 102,202
lacp mode active
spanning-tree bpdu-filter

```

#### AGG-1 / AGG-2

```

AGG-1# show spanning-tree mst 0 int lag1 detail
Port lag1
Port Type : admin-network      Loop Guard : disable
Link Type : point_to_point    BPDU Filter : disable
Boundary : internal           BPDU Guard : disable
Root Guard: enable

Instance      Role          State          Cost          Priority      Vlans mapped
-----
0             Designated    Forwarding     20000         64           1-4094

Port lag1
Designated root address       : 02:01:00:00:01:00
Designated regional root address : 02:01:00:00:01:00
Designated bridge address     : 02:01:00:00:01:00 Priority : 16384
Multi-Chassis role           : active
Timers: Message expires in 0 sec, Forward delay expiry:18, Forward transitions:1
Bpdus sent 19295, received 2
TCN_Tx: 4, TCN_Rx: 2

AGG-1# show spanning-tree mst 0 int lag101 detail
Port lag101
Port Type : admin-network      Loop Guard : disable
Link Type : point_to_point    BPDU Filter : enable
Boundary : internal           BPDU Guard : disable
Root Guard: disable

Instance      Role          State          Cost          Priority      Vlans mapped
-----
0             Designated    Forwarding     20000         64           1-4094

Port lag101
Designated root address       : 02:01:00:00:01:00
Designated regional root address : 02:01:00:00:01:00
Designated bridge address     : 02:01:00:00:01:00 Priority : 16384
Multi-Chassis role           : active
Timers: Message expires in 1 sec, Forward delay expiry:18, Forward transitions:1
Bpdus sent 1239, received 0
TCN_Tx: 2, TCN_Rx: 0

```

The best practice on Access layer are:

- Use loop-protect for all endpoint access ports (not configured on uplinks). Set the re-enable timer to 1 hour.
- Keep the default common instance 0: MST0
- Keep the default spanning-tree priority of 8.

- All endpoint access ports are admin-edge, should not receive any BPDU (BPDU guard), should not trigger Topology Change Notification.
- Use loop-protection on all endpoint access ports as an extra-protection mechanism (in case of MSTP BPDUs are filtered by insertion of unmanaged switches which create a loop).
- Use **loop-guard** on all uplinks to prevent any flood due to failure of BPDU reception (fiber strand cut).

#### ACC-1(config)#

```
spanning-tree
loop-protect re-enable-timer 3600
interface lag 1
  no shutdown
  description UPLINK to AGG
  no routing
  vlan trunk native 1
  vlan trunk allowed 10,20
  lacp mode active
  spanning-tree loop-guard
interface 1/1/1
  no shutdown
  description Endpoint1
  no routing
  vlan access 10
  spanning-tree bpdu-guard
  spanning-tree port-type admin-edge
  spanning-tree tcn-guard
  loop-protect
```

ACC-1# show spanning-tree mst 0 interface lag1 detail

```
Port lag1
Port Type : admin-network      Loop Guard : enable
Link Type : point_to_point    BPDU Filter : disable
Boundary : internal           BPDU Guard : disable
Root Guard: disable
```

Instance	Role	State	Cost	Priority	Vlans mapped
0	Root	Forwarding	20000	64	1-4094

```
Port lag1
Designated root address      : 02:01:00:00:01:00
Designated regional root address : 08:00:09:72:61:c6
Designated bridge address    : 02:01:00:00:01:00 Priority : 32768
Timers: Message expires in 0 sec, Forward delay expiry:1, Forward transitions:9
Bpdus sent 31, received 145466
TCN_Tx: 18, TCN_Rx: 20
```

ACC-1# show spanning-tree mst 0 interface 1/1/1 detail

```
Port 1/1/1
Port Type : admin-edge      Loop Guard : disable
Link Type : point_to_point  BPDU Filter : disable
Boundary : internal         BPDU Guard : enable
Root Guard: disable
```

Instance	Role	State	Cost	Priority	Vlans mapped
0	Designated	Forwarding	20000	128	1-4094

```
Port 1/1/1
Designated root address      : 02:01:00:00:01:00
Designated regional root address : 08:00:09:72:61:c6
Designated bridge address    : 02:01:00:00:01:00 Priority : 32768
Timers: Message expires in 0 sec, Forward delay expiry:1, Forward transitions:1
Bpdus sent 160124, received 0
TCN_Tx: 0, TCN_Rx: 0
```

### Step #14 : VSX LAG ACL configuration

See Step #11 for single VRF scenario and configuration example.

### Step #15 : VSX LAG QoS configuration

QoS Marking being performed on the access layer, the aggregation switch is configure in the global context with **qos trust dscp**. No further configuration is needed as this was already set in step#1.

### Step #16 : SVI (VLAN L3 interface) configuration

**Note:** While creating the SVI, the associated VRF must be attached to the SVI. The attachment to the VRF is not automatically synchronized and has to be manually set on both VSX nodes.

The **best practice for SVI active-gateway** is to set the active-gateways Virtual IP and Virtual MAC on the VSX primary and get the value synchronized on the VSX secondary with `vsx-sync` command.

The **best practice for active-gateway VMAC** is to use the **same VMAC for all IPv4 SVIs**. The scope of this VMAC is purely link-local. If some servers or systems have dual-attachment to two different SVIs, and the system administrator would like to see distinct MAC addresses for the next-hops over these separate interfaces, then 16 VMACs are available. For dual-stack IPv4 and IPv6, 16 VMACs can be used for IPv4 and the same VMACs can be used for IPv6. It is however a best practice to use only 8 VMACs for IPv4 and 8 different VMACs for IPv6.

If mutlinetting is used, set one VIP per secondary subnet.

The **best practice for IP MTU** is to configure on all SVIs the matching size of the L2 MTU: IP MTU recommended value = 9100. This parameter must be identical and manually set on both VSX nodes.

The **best practice for DHCP relay** is to configure the ip helper-address on the VSX primary and let `vsx-sync` configuring the same on the VSX secondary.

AGG-1(config)#	AGG-2(config)#
<pre>interface vlan10   vsx-sync active-gateways   vrf attach VRF1   ip mtu 9100   ip address 10.1.10.2/24   ip address 10.2.10.2/24 secondary   active-gateway ip mac 12:01:00:00:01:00   active-gateway ip 10.1.10.1   active-gateway ip 10.2.10.1   ip helper-address 10.99.10.9   ip ospf 1 area 0.0.0.0 interface vlan20   vsx-sync active-gateways   vrf attach VRF2   ip mtu 9100   ip address 10.1.20.2/24   ip address 10.2.20.2/24 secondary   active-gateway ip mac 12:01:00:00:01:00   active-gateway ip 10.1.20.1   active-gateway ip 10.2.20.1   ip ospf 1 area 0.0.0.0 AGG-1# show run Current configuration: .....skipped for readability interface vlan10   vsx-sync active-gateways   vrf attach VRF1   ip mtu 9100   ip address 10.1.10.2/24   ip address 10.2.10.2/24 secondary   active-gateway ip mac 12:01:00:00:01:00   active-gateway ip 10.1.10.1   active-gateway ip 10.2.10.1</pre>	<pre>interface vlan10   vrf attach VRF1   ip mtu 9100   ip address 10.1.10.3/24   ip address 10.2.10.3/24 secondary interface vlan20   vrf attach VRF2   ip mtu 9100   ip address 10.1.20.3/24   ip address 10.2.20.3/24 secondary AGG-2# show run Current configuration: .....skipped for readability interface vlan10   vsx-sync active-gateways   vrf attach VRF1   ip mtu 9100   ip address 10.1.10.3/24   ip address 10.2.10.3/24 secondary   active-gateway ip mac 12:01:00:00:01:00   active-gateway ip 10.1.10.1   active-gateway ip 10.2.10.1</pre>
	<b>synchronized</b>
	<b>synchronized</b>

<pre> ip helper-address 10.99.10.9 ip ospf 1 area 0.0.0.0 interface vlan20   vsx-sync active-gateways   vrf attach VRF2   ip mtu 9100   ip address 10.1.20.2/24   ip address 10.2.20.2/24 secondary   active-gateway ip mac 12:01:00:00:01:00   active-gateway ip 10.1.20.1   active-gateway ip 10.2.20.1   ip ospf 1 area 0.0.0.0 .....skipped for readability </pre>	<pre> ip helper-address 10.99.10.9 ip ospf 1 area 0.0.0.0 interface vlan20   vsx-sync active-gateways   vrf attach VRF2   ip mtu 9100   ip address 10.1.20.3/24   ip address 10.2.20.3/24 secondary   active-gateway ip mac 12:01:00:00:01:00   active-gateway ip 10.1.20.1   active-gateway ip 10.2.20.1   ip ospf 1 area 0.0.0.0 .....skipped for readability </pre>
--	--

### AGG-1 / AGG-2

AGG-1# show ip interface vlan10

```

Interface vlan10 is up
Admin state is up
Hardware: Ethernet, MAC Address: 08:00:09:94:00:b8
IP MTU 9100
IPv4 address 10.1.10.2/24
IPv4 address 10.2.10.2/24 secondary
active-gateway ip mac 12:01:00:00:01:00
active-gateway ip 10.1.10.1
active-gateway ip 10.2.10.1
L3 Counters: Rx Disabled, Tx Disabled
Rx
    ucast: 0 packets, 0 bytes
    mcast: 0 packets, 0 bytes
Tx
    ucast: 0 packets, 0 bytes
    mcast: 0 packets, 0 bytes

```

AGG-1# show ip interface vlan10 vsx-peer

```

Interface vlan10 is up
Admin state is up
Hardware: Ethernet, MAC Address: 08:00:09:b5:e8:2d
IP MTU 9100
IPv4 address 10.1.10.3/24
IPv4 address 10.2.10.3/24 secondary
active-gateway ip mac 12:01:00:00:01:00
active-gateway ip 10.1.10.1
active-gateway ip 10.2.10.1
L3 Counters: Rx Disabled, Tx Disabled
Rx
    ucast: 0 packets, 0 bytes
    mcast: 0 packets, 0 bytes
Tx
    ucast: 0 packets, 0 bytes
    mcast: 0 packets, 0 bytes

```

AGG-1# show vrf

VRF Configuration:

```

-----
VRF Name   : default
  Interfaces           Status
-----

```

```

VRF Name   : KA
  Interfaces           Status
-----
  1/1/2                up

```

```

VRF Name   : VRF1
  Interfaces           Status
-----
  vlan10                up

```

```

VRF Name   : VRF2
  Interfaces           Status
-----

```

```
-----
vlan20                up
```

### Step #17 : OSPF configuration (including SVIs for Transit VLANs)

The Transit VLANs previously defined (101/102/201/202) are used as OSPF broadcast network domains for routing between both VSX nodes and each core devices. There are 3 OSPF peers per Transit VLANs. Inside this OSPF broadcast network type, The **Best Practice is to set the Core switch as OSPF DR** (Designated Router), leaving both VSX nodes as BDR and DRother. Such DR role hosted on the core will ensure no OSPF impact while performing a VSX upgrade as the secondary and primary will reboot sequentially.

In the current example, Core-1 and Core-2 being AOS-CX, one Transit VLAN per VRF has to be created on Core-1 and Core-2: VLAN 11 for VRF1 and VLAN 12 for VRF2. Both VLAN 11 and 12 are trunked over the L2 point-to-point circuit between Core-1 and Core-2.

There are 2 strategies to inject endpoint subnets into the routing table: either through OSPF or with BGP

- OSPF: Most of the Campus deployments use OSPF to exchange route information for end-devices. This is simple and can scale very well with appropriate usage of areas. This is the target of this current document.
- BGP: Lot of new DC deployment use BGP as a routing protocol due to the usage of EVPN based VXLAN. Such a design is coming in the Campus as well. Also, for more complex and granular routing engineering, BGP communities and route-map can offer a level of control that OSPF can not provide. This can be exposed in a future white paper.

There are two options to inject end-user subnets into OSPF database: using OSPF command on the SVI, or redistributing the connected into OSPF with route-map control. The **best practice is to use the OSPF command on SVI** as offering a simpler configuration like for the area the subnets belongs to. This principle is selected as the OSPF best practice in the following described configuration. More details on OSPF best practices can be found on IP routing configuration guide.

The **best practice for broadcast interconnectivity subnet** is to use /29 subnet.

The **best practice for point-to-point interconnectivity subnet** is to use /31 subnet.

The **best practice for OSPF configuration** is to use vsx-sync OSPF synchronization option and have OSPF parameters automatically synced on VSX secondary. As shown on the configuration step, very few elements have to be configured on secondary.

The **best practice for OSPF cost** is to set values so that the Core-1 to Core-2 link is used for backbone transit whereas AGG-1 to AGG-2 is used for the Aggregation transit. Consequently, it is recommended to set the same cost on all Transit VLANs including the ones between Core-1 and Core-2. In the below example, OSPF cost for all Transit VLANs are set to 50. OSPF cost is synchronized from the VSX primary to the VSX secondary.

OSPF process ID can be the same for all VRFs. it might be useful for some network operators to keep the same process ID on all VRFs as the process ID can be associated to a Private Autonomous System ID.

The **best practice for router-ID** is to keep the same router-ID as being the Loopback 0 IP address. This simplifies a lot the troubleshooting by having the same router-ID for all VRFs when debugging.

Due to upstream VSX LAG and associated ECMP to reach the downstream VSX nodes for L3 lookup, it is a **best practice to configure VSX active-forwarding** on the Transit SVIs between the VSX cluster and the Core layer (SVI 101/102/201/202). This provides two major benefits: this saves ISL bandwidth and avoid sub-optimal data-path, and this provides **High-Availability in case of one VSX node failure as the other VSX node will process the L3 lookup on behalf of its peer**. VSX active-forwarding is **mutually exclusive with ip icmp redirect** which needs to be disabled.

AGG-1(config)#	AGG-2(config)#
<pre>router ospf 1 vrf VRF1 router-id 10.0.1.1 max-metric router-lsa on-startup passive-interface default</pre>	<pre>router ospf 1 vrf VRF1 router-id 10.0.1.2</pre>
	<b>synchronized</b>

```

    graceful-restart restart-interval 300
    trap-enable
    area 0.0.0.0
router ospf 1 vrf VRF2
    router-id 10.0.1.1
    max-metric router-lsa on-startup
    passive-interface default
    graceful-restart restart-interval 300
    trap-enable
    area 0.0.0.0

interface loopback 0
    vrf attach VRF1
    ip address 10.0.1.1/32
    ip ospf 1 area 0

no ip icmp redirect

interface vlan101
    vrf attach VRF1
    ip mtu 9198
    ip address 10.0.101.2/29
    ip ospf 1 area 0.0.0.0
    no ip ospf passive
    ip ospf cost 50
    ip ospf authentication message-digest
    ip ospf message-digest-key 1 md5 plaintext yourpass
interface vlan102
    vrf attach VRF1
    ip mtu 9198
    ip address 10.0.102.2/29
    ip ospf 1 area 0.0.0.0
    no ip ospf passive
    ip ospf cost 50
    ip ospf authentication message-digest
    ip ospf message-digest-key 1 md5 plaintext yourpass
interface vlan201
    vrf attach VRF2
    ip mtu 9198
    ip address 10.0.201.2/29
    ip ospf 1 area 0.0.0.0
    no ip ospf passive
    ip ospf cost 50
    ip ospf authentication message-digest
    ip ospf message-digest-key 1 md5 plaintext yourpass
interface vlan202
    vrf attach VRF2
    ip mtu 9198
    ip address 10.0.202.2/29
    ip ospf 1 area 0.0.0.0
    no ip ospf passive
    ip ospf cost 50
    ip ospf authentication message-digest
    ip ospf message-digest-key 1 md5 plaintext yourpass

interface vlan10
    ip ospf 1 area 0.0.0.0
interface vlan20
    ip ospf 1 area 0.0.0.0

AGG-1# show lldp neighbor-info

LLDP Neighbor Information
=====

Total Neighbor Entries      : 6
Total Neighbor Entries Deleted : 0
Total Neighbor Entries Dropped : 0
Total Neighbor Entries Aged-Out : 0

```

```

router ospf 1 vrf VRF2
    router-id 10.0.1.2

```

synchronized

```

interface loopback 0
    vrf attach VRF1
    ip address 10.0.1.2/32

```

synchronized

```

interface vlan101
    vrf attach VRF1
    ip mtu 9198
    ip address 10.0.101.3/29

```

synchronized

```

interface vlan102
    vrf attach VRF1
    ip mtu 9198
    ip address 10.0.102.3/29

```

synchronized

```

interface vlan201
    vrf attach VRF2
    ip mtu 9198
    ip address 10.0.201.3/29

```

synchronized

```

interface vlan202
    vrf attach VRF2
    ip mtu 9198
    ip address 10.0.202.3/29

```

synchronized

```

AGG-2# show lldp neighbor-info

LLDP Neighbor Information
=====

Total Neighbor Entries      : 6
Total Neighbor Entries Deleted : 1
Total Neighbor Entries Dropped : 0
Total Neighbor Entries Aged-Out : 1

```

LOCAL-PORT TTL	CHASSIS-ID SYS-NAME	PORT-ID	PORT-DESC	LOCAL-PORT TTL	CHASSIS-ID SYS-NAME	PORT-ID	PORT-DESC
1/1/1	08:00:09:72:61:c6	1/1/49	1/1/49	1/1/1	08:00:09:72:61:c6	1/1/50	1/1/50
120	ACC-1			120	ACC-1		
1/1/48	08:00:09:9a:9b:10	1/1/48	1/1/48	1/1/48	08:00:09:b0:c4:aa	1/1/48	1/1/48
120	AGG-2			120	AGG-1		
1/1/49	08:00:09:ac:6e:b7	1/1/1	1/1/1	1/1/49	08:00:09:ac:6e:b7	1/1/2	1/1/2
120	CORE-1			120	CORE-1		
1/1/50	08:00:09:4a:f4:ad	1/1/1	1/1/1	1/1/50	08:00:09:4a:f4:ad	1/1/2	1/1/2
120	CORE-2			120	CORE-2		
1/1/55	08:00:09:9a:9b:10	1/1/55	1/1/55	1/1/55	08:00:09:b0:c4:aa	1/1/55	1/1/55
120	AGG-2			120	AGG-1		
1/1/56	08:00:09:9a:9b:10	1/1/56	1/1/56	1/1/56	08:00:09:b0:c4:aa	1/1/56	1/1/56
120	AGG-2			120	AGG-1		
AGG-1# show run				AGG-2# show run			
Current configuration:				Current configuration:			
.....skipped for readability				.....skipped for readability			
no ip icmp redirect				no ip icmp redirect			
vrf KA				vrf KA			
vrf VRF1				vrf VRF1			
vrf VRF2				vrf VRF2			
.....skipped for readability				.....skipped for readability			
router ospf 1 vrf VRF1				router ospf 1 vrf VRF1			
router-id 10.0.1.1				router-id 10.0.1.2			
max-metric router-lsa on-startup				max-metric router-lsa on-startup			
passive-interface default				passive-interface default			
graceful-restart restart-interval 300				graceful-restart restart-interval 300			
trap-enable				trap-enable			
area 0.0.0.0				area 0.0.0.0			
router ospf 1 vrf VRF2				router ospf 1 vrf VRF2			
router-id 10.0.1.1				router-id 10.0.1.2			
max-metric router-lsa on-startup				max-metric router-lsa on-startup			
passive-interface default				passive-interface default			
graceful-restart restart-interval 300				graceful-restart restart-interval 300			
trap-enable				trap-enable			
area 0.0.0.0				area 0.0.0.0			
.....skipped for readability				.....skipped for readability			
vlan 101				vlan 101			
vsx-sync				vsx-sync			
description TRANSIT VLAN VRF1-CORE1				description TRANSIT VLAN VRF1-CORE1			
vlan 102				vlan 102			
vsx-sync				vsx-sync			
description TRANSIT VLAN VRF1-CORE2				description TRANSIT VLAN VRF1-CORE2			
vlan 201				vlan 201			
vsx-sync				vsx-sync			
description TRANSIT VLAN VRF2-CORE1				description TRANSIT VLAN VRF2-CORE1			
vlan 202				vlan 202			
vsx-sync				vsx-sync			
description TRANSIT VLAN VRF2-CORE2				description TRANSIT VLAN VRF2-CORE2			
.....skipped for readability				.....skipped for readability			
interface lag 101 multi-chassis				interface lag 101 multi-chassis			
no shutdown				no shutdown			
description CORE-1 VSX LAG				description CORE-1 VSX LAG			
no routing				no routing			
vlan trunk native 1				vlan trunk native 1			
vlan trunk allowed 101,201				vlan trunk allowed 101,201			
lacp mode active				lacp mode active			
spanning-tree bpdu-filter				spanning-tree bpdu-filter			
interface lag 102 multi-chassis				interface lag 102 multi-chassis			
no shutdown				no shutdown			
description CORE-2 VSX LAG				description CORE-2 VSX LAG			
no routing				no routing			
vlan trunk native 1				vlan trunk native 1			
vlan trunk allowed 102,202				vlan trunk allowed 102,202			
lacp mode active				lacp mode active			
spanning-tree bpdu-filter				spanning-tree bpdu-filter			
.....skipped for readability				.....skipped for readability			
interface loopback 0				interface loopback 0			

```

vrf attach VRF1
ip address 10.0.1.1/32
ip ospf 1 area 0.0.0.0
.....skipped for readability
interface vlan101
vrf attach VRF1
ip mtu 9198
vsx active-forwarding
ip address 10.0.101.2/29
ip ospf 1 area 0.0.0.0
no ip ospf passive
ip ospf cost 50
ip ospf authentication message-digest
ip ospf message-digest-key 1 md5 ciphertext
AQBapcc35qrr0SnZBBka0Zgl7scoOzf9+wPnYW36nvk3HA5oBQAAAJb1UbLX
interface vlan102
vrf attach VRF1
ip mtu 9198
vsx active-forwarding
ip address 10.0.102.2/29
ip ospf 1 area 0.0.0.0
no ip ospf passive
ip ospf cost 50
ip ospf authentication message-digest
ip ospf message-digest-key 1 md5 ciphertext
AQBapcc35qrr0SnZBBka0Zgl7scoOzf9+wPnYW36nvk3HA5oBQAAAJb1UbLX
interface vlan201
vrf attach VRF2
ip mtu 9198
vsx active-forwarding
ip address 10.0.201.2/29
ip ospf 1 area 0.0.0.0
no ip ospf passive
ip ospf cost 50
ip ospf authentication message-digest
ip ospf message-digest-key 1 md5 ciphertext
AQBapcc35qrr0SnZBBka0Zgl7scoOzf9+wPnYW36nvk3HA5oBQAAAJb1UbLX
interface vlan202
vrf attach VRF2
ip mtu 9198
vsx active-forwarding
ip address 10.0.202.2/29
ip ospf 1 area 0.0.0.0
no ip ospf passive
ip ospf cost 50
ip ospf authentication message-digest
ip ospf message-digest-key 1 md5 ciphertext
AQBapcc35qrr0SnZBBka0Zgl7scoOzf9+wPnYW36nvk3HA5oBQAAAJb1UbLX

interface vlan10
vsx-sync active-gateways
vrf attach VRF1
ip mtu 9100
ip address 10.1.10.2/24
ip address 10.2.10.2/24 secondary
active-gateway ip mac 12:01:00:00:01:00
active-gateway ip 10.1.10.1
active-gateway ip 10.2.10.1
ip helper-address 10.99.10.9
ip ospf 1 area 0.0.0.0

interface vlan20
vsx-sync active-gateways
vrf attach VRF2
ip mtu 9100
ip address 10.1.20.2/24
ip address 10.2.20.2/24 secondary
active-gateway ip mac 12:01:00:00:01:00
active-gateway ip 10.1.20.1
active-gateway ip 10.2.20.1
ip ospf 1 area 0.0.0.0

```

```

vrf attach VRF1
ip address 10.0.1.2/32
ip ospf 1 area 0.0.0.0
.....skipped for readability
interface vlan101
vrf attach VRF1
ip mtu 9198
vsx active-forwarding
ip address 10.0.101.3/29
ip ospf 1 area 0.0.0.0
no ip ospf passive
ip ospf cost 50
ip ospf authentication message-digest
ip ospf message-digest-key 1 md5 ciphertext
AQBapcc35qrr0SnZBBka0Zgl7scoOzf9+wPnYW36nvk3HA5oBQAAAJb1UbLX
interface vlan102
vrf attach VRF1
ip mtu 9198
vsx active-forwarding
ip address 10.0.102.3/29
ip ospf 1 area 0.0.0.0
no ip ospf passive
ip ospf cost 50
ip ospf authentication message-digest
ip ospf message-digest-key 1 md5 ciphertext
AQBapcc35qrr0SnZBBka0Zgl7scoOzf9+wPnYW36nvk3HA5oBQAAAJb1UbLX
interface vlan201
vrf attach VRF2
ip mtu 9198
vsx active-forwarding
ip address 10.0.201.3/29
ip ospf 1 area 0.0.0.0
no ip ospf passive
ip ospf cost 50
ip ospf authentication message-digest
ip ospf message-digest-key 1 md5 ciphertext
AQBapcc35qrr0SnZBBka0Zgl7scoOzf9+wPnYW36nvk3HA5oBQAAAJb1UbLX
interface vlan202
vrf attach VRF2
ip mtu 9198
vsx active-forwarding
ip address 10.0.202.3/29
ip ospf 1 area 0.0.0.0
no ip ospf passive
ip ospf cost 50
ip ospf authentication message-digest
ip ospf message-digest-key 1 md5 ciphertext
AQBapcc35qrr0SnZBBka0Zgl7scoOzf9+wPnYW36nvk3HA5oBQAAAJb1UbLX

interface vlan10
vsx-sync active-gateways
vrf attach VRF1
ip mtu 9100
ip address 10.1.10.3/24
ip address 10.2.10.3/24 secondary
active-gateway ip mac 12:01:00:00:01:00
active-gateway ip 10.1.10.1
active-gateway ip 10.2.10.1
ip helper-address 10.99.10.9
ip ospf 1 area 0.0.0.0

interface vlan20
vsx-sync active-gateways
vrf attach VRF2
ip mtu 9100
ip address 10.1.20.3/24
ip address 10.2.20.3/24 secondary
active-gateway ip mac 12:01:00:00:01:00
active-gateway ip 10.1.20.1
active-gateway ip 10.2.20.1
ip ospf 1 area 0.0.0.0

```



AGG-1 / AGG-2

```
AGG-1# show ip ospf neighbors all-vrfs
OSPF Process ID 1 VRF VRF1
```

```
=====
Total Number of Neighbors: 4
```

Neighbor ID	Priority	State	Nbr Address	Interface
10.0.1.2	1	FULL/BDR	10.0.101.3	vlan101
10.0.1.3	100	FULL/DR	10.0.101.1	vlan101
10.0.1.2	1	FULL/BDR	10.0.102.3	vlan102
10.0.1.4	100	FULL/DR	10.0.102.1	vlan102

```
OSPF Process ID 1 VRF VRF2
=====
```

```
Total Number of Neighbors: 4
```

Neighbor ID	Priority	State	Nbr Address	Interface
10.0.1.2	1	FULL/BDR	10.0.201.3	vlan201
10.0.1.3	100	FULL/DR	10.0.201.1	vlan201
10.0.1.2	1	FULL/BDR	10.0.202.3	vlan202
10.0.1.4	100	FULL/DR	10.0.202.1	vlan202

```
AGG-1# show ip route vrf VRF1
```

```
Displaying ipv4 routes selected for forwarding
```

```
'[x/y]' denotes [distance/metric]
```

```
0.0.0.0/0, vrf VRF1
  via 10.0.102.1, [110/1], ospf
  via 10.0.101.1, [110/1], ospf
10.0.1.1/32, vrf VRF1
  via loopback0, [0/0], local
10.0.1.2/32, vrf VRF1
  via 10.0.101.3, [110/50], ospf
  via 10.0.102.3, [110/50], ospf
10.0.1.3/32, vrf VRF1
  via 10.0.101.1, [110/50], ospf
10.0.1.4/32, vrf VRF1
  via 10.0.102.1, [110/50], ospf
10.0.11.0/29, vrf VRF1
  via 10.0.102.1, [110/100], ospf
  via 10.0.101.1, [110/100], ospf
10.0.101.0/29, vrf VRF1
  via vlan101, [0/0], connected
10.0.101.2/32, vrf VRF1
  via vlan101, [0/0], local
10.0.102.0/29, vrf VRF1
  via vlan102, [0/0], connected
10.0.102.2/32, vrf VRF1
  via vlan102, [0/0], local
10.1.10.0/24, vrf VRF1
  via vlan10, [0/0], connected
10.1.10.2/32, vrf VRF1
  via vlan10, [0/0], local
10.2.10.0/24, vrf VRF1
  via vlan10, [0/0], connected
```

```
10.2.10.2/32, vrf VRF1
  via vlan10, [0/0], local
```

### CORE-1 / CORE-2

```
CORE-1# show ip ospf neighbors all-vrfs
OSPF Process ID 1 VRF VRF1
=====
```

Total Number of Neighbors: 3

Neighbor ID	Priority	State	Nbr Address	Interface
10.0.1.1	1	FULL/BDR	10.0.101.2	vlan101
10.0.1.2	1	FULL/DROther	10.0.101.3	vlan101
10.0.1.4	n/a	FULL	10.0.11.2	vlan11

```
OSPF Process ID 1 VRF VRF2
=====
```

Total Number of Neighbors: 3

Neighbor ID	Priority	State	Nbr Address	Interface
10.0.1.1	1	FULL/BDR	10.0.201.2	vlan201
10.0.1.2	1	FULL/DROther	10.0.201.3	vlan201
10.0.1.4	n/a	FULL	10.0.12.2	vlan12

```
CORE-1# show ip route vrf VRF1
```

Displaying ipv4 routes selected for forwarding

'[x/y]' denotes [distance/metric]

```
10.0.1.2/32, vrf VRF1
  via 10.0.101.3, [110/50], ospf
10.0.1.4/32, vrf VRF1
  via 10.0.11.2, [110/50], ospf
10.0.1.1/32, vrf VRF1
  via 10.0.101.2, [110/50], ospf
10.0.102.0/29, vrf VRF1
  via 10.0.101.3, [110/100], ospf
  via 10.0.101.2, [110/100], ospf
  via 10.0.11.2, [110/100], ospf
10.1.10.0/24, vrf VRF1
  via 10.0.101.3, [110/150], ospf
  via 10.0.101.2, [110/150], ospf
10.2.10.0/24, vrf VRF1
  via 10.0.101.3, [110/50], ospf
  via 10.0.101.2, [110/50], ospf
```

### Step #18 : BGP configuration

Please read the IP routing guide.

**Note:** VSX provides capability to synchronize the full BGP configuration between the VSX primary and the VSX secondary. Most of the BGP configuration of the VSX secondary is the same than on the VSX primary. Except the configuration for iBGP peering between the VSX nodes inside the cluster, or for remote eBGP upstream peers with neighbor IP address being the physical IP address of the L3 point-to-point circuit (ex: here 1/1/50 with 10.0.0.6/31 remote IP address). In such a case, the specific neighbor parameters are excluded from the VSX configuration synchronization with the following command on the VSX primary only: **neighbor <IP\_address> vsx-sync-exclude**

## Step #19 : Multicast configuration

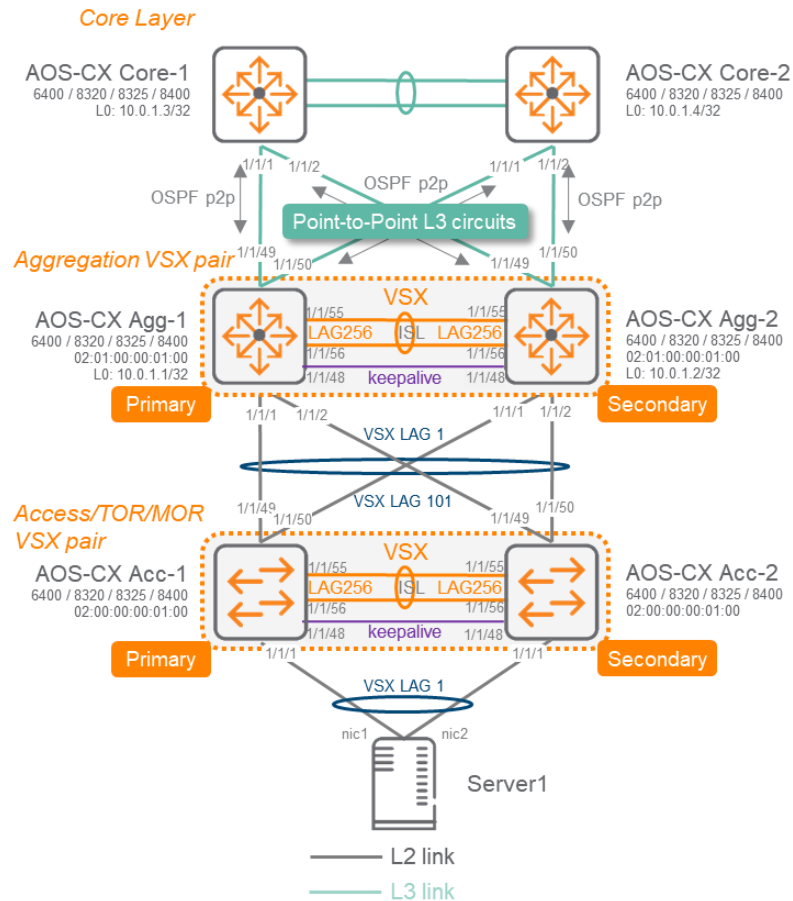
Please read the Multicast guide.

For multicast on VSX cluster, the **best practice is to configure PIM Dual-DR or active/active** under the PIM router command: to

AGG-1(config)#	AGG-2(config)#
<pre>router pim vrf VRF1   enable   active-active  show ip pim interface vlan10  PIM Interfaces  VRF: VRF1  Interface : vlan10 IP Address : 10.1.10.2/24 Mode      : sparse  Designated Router : 10.1.10.2 Proxy DR          : false Hello Interval (sec) : 30 Hello Delay (sec)  : 5  Override Interval (msec) : 2500      Lan Prune Delay              : Yes Propagation Delay (msec) : 500      DR Priority : 200 Neighbor Timeout   : 0</pre>	<pre>router pim vrf VRF1   enable   active-active  show ip pim interface vlan10  PIM Interfaces  VRF: VRF1  Interface : vlan10 IP Address : 10.1.10.3/24 Mode      : sparse  Designated Router : 10.1.10.3 Proxy DR          : true Hello Interval (sec) : 30 Hello Delay (sec)  : 5  Override Interval (msec) : 2500      Lan Prune Delay              : Yes Propagation Delay (msec) : 500      DR Priority            : 1 Neighbor Timeout   : 0</pre>

## Access VSX to Aggregation VSX

Here is the typical topology:



This scenario is very similar to the Single VRF scenario in term of configuration steps. The below sections will focus on VSX at the Access Layer and repeated steps will be skipped. As this scenario is valid for both a Campus Access layer and for a Datacenter Top-of-Rack layer, we use Access/ToR layer naming convention.

**Step #0 to Step#8: follow same steps than for the single VRF scenario**

### Step #9 : Aggregation - Downstream VSX LAG (MCLAG) configuration

The **best practice for VSX LAG** is to create the multi-chassis lag interface on the VSX primary with all settings and then create the mirrored lag interface on the VSX secondary. LAG interface settings (including description) will be synchronized automatically. Only “no shut” in the lag interface has to be performed on the VSX secondary. Once multi-chassis lag interface is created it is assigned to the physical port.

The **best practice for allowed VLANs** is to exclude the native VLAN 1 from being propagated. This is a very robust method to avoid Layer2 storm propagation due to potential loop initiated on an access switch. In case of access switch Zero-Touch-Provisioning use-case., this trunking exclusion is performed after ZTP process.

The **best practice for LAG numbering** is to use LAG ID=1 for connecting the Access/ToR Switch Cluster#1, LAG ID=2 for connecting the Access/ToR Switch#2, and so on...

The **best practice for LACP timers** on the VSX LAG is to keep the default long timer (30s for lacp rate slow).

The **best practice for MTU** is to configure on all devices the appropriate size to support features such as Dynamic Segmentation, VXLAN or server jumbo frame. Care should be taken to ensure that the IP path from access devices (switches or APs) can provide a MTU of at least 1564 bytes to the mobility controllers and that 9000 bytes server jumbo packet can be encapsulated. Flexibility should be anticipated to perform VXLAN encapsulation from the access/tor switch (9000+50) or VXLAN encapsulation from aggregation switch with MTU+50. So the recommended Ethernet MTU is 9100 bytes for the downstream VSX LAG to the access layer and MTU of 9000 bytes for endpoints or servers. SVI IP MTU should match the MTU size on the aggregation, so the recommended IP MTU is 9100 bytes.

The **best practice for hashing algorithm** on the VSX LAG is to keep the default I3-src-dst (alternative being I2-src-dst).

AGG-1(config)#	AGG-2(config)#
<pre>interface lag 1 multi-chassis   description TOR-VSX-1   no shutdown   vlan trunk allowed 10,20-30  interface 1/1/1   no shutdown   mtu 9100   description TOR-1   lag 1  interface 1/1/2   no shutdown   mtu 9100   description TOR-2   lag 1</pre>	<pre>interface lag 1 multi-chassis   no shutdown  interface 1/1/1   no shutdown   mtu 9100   description TOR-1   lag 1  interface 1/1/2   no shutdown   mtu 9100   description TOR-2   lag 1</pre>
<b>synchronized</b>	
AGG-1 / AGG-2	
<pre>AGG-1# show lacp interfaces multi-chassis  State abbreviations : A - Active          P - Passive          F - Aggregable I - Individual S - Short-timeout L - Long-timeout N - InSync      O - OutofSync C - Collecting     D - Distributing X - State m/c expired      E - Default neighbor state  <b>Actor</b> details of all interfaces: ----- Intf   Aggregate  Port  Port  State  System-ID          System  Aggr       name      id    Priority  State  System-ID          Priority Key ----- 1/1/1  lag1(mc)   1      1      ALFOE  02:01:00:00:01:00  65534  1 1/1/2  lag1(mc)   2      1      ALFOE  02:01:00:00:01:00  65534  1  <b>Partner</b> details of all interfaces: ----- Intf   Aggregate  Partner Port  State  System-ID          System  Aggr       name      Port-id Priority  State  System-ID          Priority Key ----- 1/1/1  lag1(mc)   0      65534  PLFOEX  00:00:00:00:00:00  65534  0 1/1/2  lag1(mc)   0      65534  PLFOEX  00:00:00:00:00:00  65534  0  <b>Remote Actor</b> details of all interfaces: ----- Intf   Aggregate  Port  Port  State  System-ID          System  Aggr       name      id    Priority  State  System-ID          Priority Key ----- 1/1/2  lag1(mc)   1002  1      ALFOE  02:01:00:00:01:00  65534  1 1/1/1  lag1(mc)   1001  1      ALFOE  02:01:00:00:01:00  65534  1  <b>Remote Partner</b> details of all interfaces: ----- Intf   Aggregate  Partner Port  State  System-ID          System  Aggr       name      Port-id Priority  State  System-ID          Priority Key ----- 1/1/2  lag1(mc)   0      65534  PLFOXE  00:00:00:00:00:00  65534  0</pre>	

1/1/1	lag1 (mc)	0	65534	PLFOXE	00:00:00:00:00:00	65534	0
-------	-----------	---	-------	--------	-------------------	-------	---

The “show lacp interfaces multi-chassis” command is very useful to get a complete status of local LACP partnership as well as the VSX peer partnership details. Actor = local node, Partner = LACP neighbor (the access switch), Remote Actor = the VSX peer, Remote Partner = LACP neighbor of the VSX peer. Note that the port id of the VSX secondary is equal to 1000+ID\_of\_the\_primary (in the example 1001).

At this stage, no LACP partners are yet configured, so ALFOE LACP state-flags should appear on all entries.

### Step #10 : Access/ToR Layer: ISL, keepalive, VSX, vsx-sync, VLANs

Follow the same steps #0 to #8 for the Access/ToR VSX than the ones completed for the Aggregation VSX.

At this stage you should have the following configuration on the Access/TOR VSX:

TOR1	TOR-2
<pre>hostname TOR-1 .....skipped for readability vrf KA vlan 1 vlan 10     vsx-sync vlan 20     vsx-sync interface lag 256     no shutdown     description ISL link     no routing     vlan trunk native 1 tag     vlan trunk allowed all     lacp mode active interface 1/1/48     no shutdown     vrf attach KA     description VSX keepalive     ip address 192.168.0.2/31 interface 1/1/55     no shutdown     mtu 9198     description ISL physical link     lag 256 interface 1/1/56     no shutdown     mtu 9198     description ISL physical link     lag 256 vsx     system-mac 02:00:00:00:01:00     inter-switch-link lag 256     role secondary     keepalive peer 192.168.0.2 source 192.168.0.3 vrf KA     vsx-sync aaa acl-log-timer bfd-global bgp copp-policy     dhcp-relay dhcp-server dhcp-snooping dns icmp-tcp lldp     loop-protect-global mac-lockout mclag-interfaces neighbor     ospf qos-global route-map sflow-global snmp ssh stp-     global time vsx-global</pre>	<pre>hostname TOR-2 .....skipped for readability vrf KA vlan 1 vlan 10     vsx-sync vlan 20     vsx-sync interface lag 256     no shutdown     description ISL link     no routing     vlan trunk native 1 tag     vlan trunk allowed all     lacp mode active interface 1/1/48     no shutdown     vrf attach KA     description VSX keepalive     ip address 192.168.0.3/31 interface 1/1/55     no shutdown     mtu 9198     description ISL physical link     lag 256 interface 1/1/56     no shutdown     mtu 9198     description ISL physical link     lag 256 vsx     system-mac 02:00:00:00:01:00     inter-switch-link lag 256     role secondary     keepalive peer 192.168.0.2 source 192.168.0.3 vrf KA     vsx-sync aaa acl-log-timer bfd-global bgp copp-policy     dhcp-relay dhcp-server dhcp-snooping dns icmp-tcp lldp     loop-protect-global mac-lockout mclag-interfaces neighbor     ospf qos-global route-map sflow-global snmp ssh stp-global     time vsx-global</pre>

### Step #11 : Access/ToR - Upstream VSX LAG configuration

The steps for configuring upstream VSX LAG of the TOR layer are very similar to the steps for configuring the downlink VSX LAG of the Aggregation layer and the same best practices apply. LAG numbering is assigning high number for upstream.

TOR-1(config)#	TOR-2(config)#
<pre>interface lag 101 multi-chassis     description AGG VSX     no shutdown     vlan trunk allowed 10,20  interface 1/1/49     no shutdown</pre>	<pre>interface lag 101 multi-chassis     no shutdown  interface 1/1/49     no shutdown</pre>

synchronized

```

mtu 9100
description AGG-1
lag 101
interface 1/1/50
no shutdown
mtu 9100
description AGG-2
lag 101

```

```

mtu 9100
description AGG-1
lag 101
interface 1/1/50
no shutdown
mtu 9100
description AGG-2
lag 101

```

#### AGG-1 / AGG-2

AGG-1# `show lacp interfaces multi-chassis`

State abbreviations :  
A - Active      P - Passive      F - Agregable I - Individual  
S - Short-timeout L - Long-timeout N - InSync      O - OutofSync  
C - Collecting      D - Distributing  
X - State m/c expired      E - Default neighbor state

**Actor** details of all interfaces:

Intf	Aggregate name	Port id	Port Priority	State	System-ID	System Priority	Aggr Key
1/1/1	lag1(mc)	1	1	ALFNCD	02:01:00:00:01:00	65534	1
1/1/2	lag1(mc)	2	1	ALFNCD	02:01:00:00:01:00	65534	1

**Partner** details of all interfaces:

Intf	Aggregate name	Partner Port-id	Port Priority	State	System-ID	System Priority	Aggr Key
1/1/1	lag1(mc)	49	1	ALFNCD	02:00:00:00:01:00	65534	1
1/1/2	lag1(mc)	1049	1	ALFNCD	02:00:00:00:01:00	65534	1

**Remote Actor** details of all interfaces:

Intf	Aggregate name	Port id	Port Priority	State	System-ID	System Priority	Aggr Key
1/1/1	lag1(mc)	1001	1	ALFNCD	02:01:00:00:01:00	65534	1
1/1/2	lag1(mc)	1002	1	ALFNCD	02:01:00:00:01:00	65534	1

**Remote Partner** details of all interfaces:

Intf	Aggregate name	Partner Port-id	Port Priority	State	System-ID	System Priority	Aggr Key
1/1/1	lag1(mc)	50	1	ALFNCD	02:00:00:00:01:00	65534	1
1/1/2	lag1(mc)	1050	1	ALFNCD	02:00:00:00:01:00	65534	1

Now, all ports are Collecting and Distributing traffic: LACP flags are ALFNCD. Same command can be used on Access/ToR VSX:

#### TOR-1 / TOR-2

TOR-1# `show lacp interfaces multi-chassis`

State abbreviations :  
A - Active      P - Passive      F - Agregable I - Individual  
S - Short-timeout L - Long-timeout N - InSync      O - OutofSync  
C - Collecting      D - Distributing  
X - State m/c expired      E - Default neighbor state

**Actor** details of all interfaces:

Intf	Aggregate name	Port id	Port Priority	State	System-ID	System Priority	Aggr Key
1/1/49	lag101(mc)	49	1	ALFNCD	02:00:00:00:01:00	65534	101
1/1/50	lag101(mc)	50	1	ALFNCD	02:00:00:00:01:00	65534	101

**Partner** details of all interfaces:

Intf	Aggregate name	Partner Port-id	Port Priority	State	System-ID	System Priority	Aggr Key
1/1/49	lag101(mc)	1	1	ALFNCD	02:01:00:00:01:00	65534	1
1/1/50	lag101(mc)	1001	1	ALFNCD	02:01:00:00:01:00	65534	1

**Remote Actor** details of all interfaces:

Intf	Aggregate name	Port id	Port Priority	State	System-ID	System Priority	Aggr Key
1/1/49	lag101(mc)	1049	1	ALFNCD	02:00:00:00:01:00	65534	101
1/1/50	lag101(mc)	1050	1	ALFNCD	02:00:00:00:01:00	65534	101

**Remote Partner** details of all interfaces:

Intf	Aggregate name	Partner Port-id	Port Priority	State	System-ID	System Priority	Aggr Key
1/1/49	lag101(mc)	1	1	ALFNCD	02:01:00:00:01:00	65534	1
1/1/50	lag101(mc)	1002	1	ALFNCD	02:01:00:00:01:00	65534	1

TOR-1# show lacp interface

State abbreviations :  
A - Active P - Passive F - Aggregable I - Individual  
S - Short-timeout L - Long-timeout N - InSync O - OutofSync  
C - Collecting D - Distributing  
X - State m/c expired E - Default neighbor state

A Actor details of all interfaces:

Intf	Aggr Name	Port Id	Port Pri	State	System-ID	System Pri	Aggr Key	Forwarding State
1/1/49	lag101(mc)	49	1	ALFNCD	02:00:00:00:01:00	65534	101	up
1/1/50	lag101(mc)	50	1	ALFNCD	02:00:00:00:01:00	65534	101	up
1/1/55	lag256	56	1	ALFNCD	08:00:09:72:61:c6	65534	256	up
1/1/56	lag256	57	1	ALFNCD	08:00:09:72:61:c6	65534	256	up

Partner details of all interfaces:

Intf	Aggr Name	Port Id	Port Pri	State	System-ID	System Pri	Aggr Key
1/1/49	lag101(mc)	1	1	ALFNCD	02:01:00:00:01:00	65534	1
1/1/50	lag101(mc)	1001	1	ALFNCD	02:01:00:00:01:00	65534	1
1/1/55	lag256	56	1	ALFNCD	08:00:09:7f:8e:c3	65534	256
1/1/56	lag256	57	1	ALFNCD	08:00:09:7f:8e:c3	65534	256

## Step #12 : Access/ToR - Server VSX LAG configuration

The steps for configuring downstream/server VSX LAG of the TOR layer are very similar to the steps for configuring the upstream VSX LAGs and the same best practices apply. LAG numbering is assigning low number for downstream.

TOR-1(config)#	TOR-2(config)#
<pre>interface lag 1 multi-chassis no shutdown description Server-1 no routing vlan trunk native 1 vlan trunk allowed 10,20</pre>	<pre>interface lag 1 multi-chassis no shutdown</pre> <p style="text-align: center;"><b>synchronized</b></p>



```

lacp mode active

interface 1/1/1
  no shutdown
  mtu 9000
  description Server-1-nic1
  lag 1

```

```

interface 1/1/1
  no shutdown
  mtu 9000
  description Server-1-nic2
  lag 1

```

**TOR-1/TOR-2**

```

TOR-1# show lacp interfaces multi-chassis

State abbreviations :
A - Active          P - Passive          F - Aggregable I - Individual
S - Short-timeout  L - Long-timeout  N - InSync        O - OutofSync
C - Collecting     D - Distributing
X - State m/c expired  E - Default neighbor state

Actor details of all interfaces:
-----
Intf   Aggregate  Port  Port  State  System-ID          System  Aggr
      name      id    Priority  State  System-ID          Priority Key
-----
1/1/1  lag1 (mc)  1     1     ALFNCD 02:00:00:00:01:00 65534  1
1/1/49 lag101 (mc) 49    1     ALFNCD 02:00:00:00:01:00 65534  101
1/1/50 lag101 (mc) 50    1     ALFNCD 02:00:00:00:01:00 65534  101

Partner details of all interfaces:
-----
Intf   Aggregate  Partner Port  State  System-ID          System  Aggr
      name      Port-id Priority  State  System-ID          Priority Key
-----
1/1/1  lag1 (mc)  1     1     ALFNCD 80:c1:6e:80:31:81 65534  1
1/1/49 lag101 (mc) 1     1     ALFNCD 02:01:00:00:01:00 65534  1
1/1/50 lag101 (mc) 1001  1     1     ALFNCD 02:01:00:00:01:00 65534  1

Remote Actor details of all interfaces:
-----
Intf   Aggregate  Port  Port  State  System-ID          System  Aggr
      name      id    Priority  State  System-ID          Priority Key
-----
1/1/1  lag1 (mc)  1001  1     ALFNCD 02:00:00:00:01:00 65534  1
1/1/49 lag101 (mc) 1049  1     ALFNCD 02:00:00:00:01:00 65534  101
1/1/50 lag101 (mc) 1050  1     ALFNCD 02:00:00:00:01:00 65534  101

Remote Partner details of all interfaces:
-----
Intf   Aggregate  Partner Port  State  System-ID          System  Aggr
      name      Port-id Priority  State  System-ID          Priority Key
-----
1/1/1  lag1 (mc)  2     1     ALFNCD 80:c1:6e:80:31:81 65534  1
1/1/49 lag101 (mc) 1     1     ALFNCD 02:01:00:00:01:00 65534  1
1/1/50 lag101 (mc) 1002  1     1     ALFNCD 02:01:00:00:01:00 65534  1

```

The best practice for LACP fallback feature is to enable it on VSX LAG of VSX primary for the following use-cases: PXE boot, server NIC driver migration from active/standby to LACP. LACP fallback is automatically synced on VSX secondary.

TOR-1(config)#	TOR-2(config)#
<pre> interface lag 1 multi-chassis   lacp fallback  TOR-1# show run Current configuration: .....skipped for readability interface lag 1 multi-chassis   no shutdown   description TOR-VSX-1   no routing   vlan trunk native 1 </pre>	<div style="text-align: center; background-color: #f4a460; padding: 5px; border-radius: 5px; display: inline-block;">synchronized</div> <pre> TOR-2# show run Current configuration: .....skipped for readability interface lag 1 multi-chassis   no shutdown   description TOR-VSX-1   no routing   vlan trunk native 1 </pre>

vlan trunk allowed 10,20-30 lacp mode active lacp fallback	vlan trunk allowed 10,20-30 lacp mode active lacp fallback
--	--

Further on in this section, lacp fallback is no longer shown as this is reserved for the previous indicated use-cases.

### Step #13 : MSTP configuration

The best practice on Aggregation layer are:

- No loop-protect (MSTP used instead).
- Use the **default common instance 0**: MST0
- Lower the **spanning-tree priority to 4** to make VSX aggregation the STP root bridge (easier for support)
- Use **root-guard** on all downlinks to prevent any access switches from becoming Root Bridge.
- Keep the default **port-type admin-network**
- Let VSX secondary synchronized by vsx-sync process.

AGG-1(config)#	AGG-2(config)#
<pre>spanning-tree spanning-tree priority 4 spanning-tree trap topology-change instance 0  interface lag 1 multi-chassis no shutdown description Access-Switch-1 VSX LAG no routing vlan trunk native 1 vlan trunk allowed 10,20-30 lacp mode active spanning-tree root-guard  AGG-1# show run Current configuration: .....skipped for readability spanning-tree spanning-tree priority 4 spanning-tree trap topology-change instance 0 .....skipped for readability interface lag 1 multi-chassis no shutdown description Access-Switch-1 VSX LAG no routing vlan trunk native 1 vlan trunk allowed 10,20-30 lacp mode active spanning-tree root-guard .....skipped for readability</pre>	<p>synchronized</p> <p>synchronized</p> <pre>AGG-2# show run Current configuration: .....skipped for readability spanning-tree spanning-tree priority 4 <b>spanning-tree trap topology-change instance 0</b> .....skipped for readability interface lag 1 multi-chassis no shutdown description Access-Switch-1 VSX LAG no routing vlan trunk native 1 vlan trunk allowed 10,20-30 lacp mode active spanning-tree root-guard .....skipped for readability</pre>
AGG-1 / AGG-2	
<pre>AGG-1# show spanning-tree mst 0 int lag1 detail Port lag1 Port Type : admin-network      Loop Guard : disable Link Type : point_to_point    BPDU Filter : disable Boundary : internal           BPDU Guard : disable Root Guard: enable  Instance      Role          State          Cost          Priority      Vlans mapped ----- 0             Designated   Forwarding     20000         64           1-4094  Port lag1 Designated root address       : 02:01:00:00:01:00 Designated regional root address : 02:01:00:00:01:00 Designated bridge address     : 02:01:00:00:01:00 Priority : 16384 Multi-Chassis role           : active Timers:      Message expires in 0 sec, Forward delay expiry:18, Forward transitions:1</pre>	

```
Bpdus sent 19295, received 2
TCN_Tx: 4, TCN_Rx: 2
```

The best practice on Access/ToR layer are:

- Use loop-protect for all endpoint access ports (not configured on uplinks). Set the re-enable timer to 1hour.
- Keep the **default common instance 0**: MST0
- Keep the **default spanning-tree priority** of 8.
- All endpoint access ports are **admin-edge**, should not receive any BPDU (**BDPU guard**), should not trigger any Topology Change Notification (**tcn-guard**).
- Use loop-protection on all endpoint access ports as extra-protection mechanism (in case of MSTP BPDUs are filtered by insertion of unmanaged switches which create a loop).
- Use **loop-guard** on all uplinks to prevent any flood due to failure of BPDU reception (fiber strand cut).

TOR-1(config)#	TOR-2(config)#
<pre>spanning-tree spanning-tree trap topology-change instance 0 loop-protect re-enable-timer 3600  interface lag 101 multi-chassis no shutdown description AGG VSX no routing vlan trunk native 1 vlan trunk allowed 10,20 lacp mode active spanning-tree loop-guard  interface lag 1 multi-chassis no shutdown description Server-1 no routing vlan trunk native 1 vlan trunk allowed 10,20 lacp mode active loop-protect spanning-tree bpdu-guard spanning-tree tcn-guard spanning-tree port-type admin-edge  TOR-1# show run Current configuration: .....skipped for readability loop-protect re-enable-timer 3600 spanning-tree spanning-tree trap topology-change instance 0 .....skipped for readability interface lag 1 multi-chassis no shutdown description Server-1 no routing vlan trunk native 1 vlan trunk allowed 10,20 lacp mode active loop-protect spanning-tree bpdu-guard spanning-tree tcn-guard spanning-tree port-type admin-edge interface lag 101 multi-chassis no shutdown description AGG VSX no routing vlan trunk native 1 vlan trunk allowed 10,20</pre>	<pre>synchronized  synchronized  synchronized  TOR-2# show run Current configuration: .....skipped for readability loop-protect re-enable-timer 3600 <b>spanning-tree</b> <b>spanning-tree trap topology-change instance 0</b> .....skipped for readability interface lag 1 multi-chassis no shutdown description Server-1 no routing vlan trunk native 1 vlan trunk allowed 10,20 lacp mode active loop-protect spanning-tree bpdu-guard spanning-tree tcn-guard spanning-tree port-type admin-edge interface lag 101 multi-chassis no shutdown description AGG VSX no routing vlan trunk native 1 vlan trunk allowed 10,20</pre>

```

lacp mode active
spanning-tree loop-guard
.....skipped for readability
lacp mode active
spanning-tree loop-guard
.....skipped for readability
TOR-1 / TOR-2
TOR-1# show spanning-tree mst 0 interface lag101 detail
Port lag101
Port Type : admin-network      Loop Guard : enable
Link Type : point_to_point    BPDU Filter : disable
Boundary : internal           BPDU Guard : disable
Root Guard: disable

Instance      Role      State      Cost      Priority  Vlans mapped
-----
0             Root      Forwarding 20000     64        1-4094

Port lag101
Designated root address      : 02:01:00:00:01:00
Designated regional root address : 02:00:00:00:01:00
Designated bridge address    : 02:01:00:00:01:00 Priority : 32768
Multi-Chassis role          : active
Timers: Message expires in 0 sec, Forward delay expiry:18, Forward transitions:1
Bpdus sent 5, received 13918
TCN_Tx: 4, TCN_Rx: 2

TOR-1# show spanning-tree mst 0 interface lag1 detail
Port lag1
Port Type : admin-edge      Loop Guard : disable
Link Type : point_to_point  BPDU Filter : disable
Boundary : internal         BPDU Guard : enable
Root Guard: disable

Instance      Role      State      Cost      Priority  Vlans mapped
-----
0             Designated Forwarding 20000     64        1-4094

Port lag1
Designated root address      : 02:01:00:00:01:00
Designated regional root address : 02:00:00:00:01:00
Designated bridge address    : 02:01:00:00:01:00 Priority : 32768
Multi-Chassis role          : active
Timers: Message expires in 1 sec, Forward delay expiry:18, Forward transitions:2
Bpdus sent 13557, received 515
TCN_Tx: 4, TCN_Rx: 2

```

#### Step #14 : VSX LAG ACL configuration

Please refer to Step#11 of first scenario (Aggregation VSX with single VRF).

#### Step #15: VSX LAG QoS configuration

The aggregation switch leverage the global configuration of **qos trust dscp**. No further configuration is needed as this was already set in step#1. To perform marking at the access layer, please refer to the QoS guide.

#### Step #16: SVI (VLAN L3 interface) configuration

Please refer to the Step#13 of the first scenario (Aggregation VSX with single VRF).

#### Step #17: OSPF configuration

Please refer to the Step#14 of the first scenario (Aggregation VSX with single VRF).

#### Step #18: BGP configuration

Please refer to the Step#15 of the first scenario (Aggregation VSX with single VRF).

#### Step #19: Multicast configuration

Please refer to the Step#16 of the first scenario (Aggregation VSX with single VRF).

## VSX Maintenance and Troubleshooting

### VSX show commands

All traditional commands like show interface, show ip route (etc..) are usual commands when troubleshooting. Out of the numerous VSX show commands, here are below the main useful ones.

- “show vsx brief” is the most important command that provides visibility on both ISL state and keepalive.

#### AGG-1

```
AGG-1# show vsx brief
ISL State           : In-Sync
Device State       : Peer-Established
Keepalive State    : Keepalive-Established
Device Role        : primary
Number of Multi-chassis LAG interfaces : 1
```

- “show vsx status” is the second most important one as it gives extra synchronization information (config-sync, NAE, API).

#### AGG-1

```
AGG-1# show vsx status
VSX Operational State
-----
ISL channel          : In-Sync
ISL mgmt channel     : operational
Config Sync Status   : in-sync
NAE                  : peer_reachable
HTTPS Server         : peer_reachable

Attribute            Local                Peer
-----
ISL link             lag256               lag256
ISL version          2                    2
System MAC           02:01:00:00:01:00   02:01:00:00:01:00
Platform             8325                 8325
Software Version     GL.10.04.0001        GL.10.04.0001
Device Role          primary               secondary
```

- “show vsx status config-sync” can be useful to reveal any configuration mismatch between both nodes.

#### AGG-1

```
AGG-1# sh vsx status config-sync
Admin state          : Enabled
Operational State    : Operational
Error State          : None
Recommended remediation : N/A
Current time         : Fri Dec 13 12:23:44 2019
Last sync time       : Fri Dec 13 11:08:21 2019

8325-1# show vsx status config-sync
Admin state          : Enabled
Operational State    : Operational
Error State          : Missing reference error
Recommended remediation : A. Execute 'show running-config vsx-sync peer-diff' to determine which lines did not sync
correctly on secondary
                    B. Identify the configuration that is missing from secondary and manually fix via CLI.
Current time         : Fri Dec 13 13:29:32 2019
Last sync time       : Not available
```

- “show running-config vsx-sync peer-diff” is very useful to report the configuration lines creating difference error.

#### AGG-1

```
AGG-1# show run vsx-sync peer-diff
--- /tmp/running-config-vsx.4del      2018-05-25 14:55:54.956878984 +0200
+++ /tmp/peer-running-config-vsx.4del  2018-05-25 14:55:54.951879155 +0200
@@ -1,6 +1,6 @@
 interface lag 1
 vsx-sync vlans
- description ISL
```

```
+ description isl
no shutdown
no routing
vlan trunk native 1 tag
```

- “show events -d vsx-syncd” command on VSX secondary is an additional source of information to identify mistakes.

#### AGG-2

```
AGG-2# show events -d vsx-syncd
-----
Event logs from current boot
-----
2019-12-11T10:25:23.258398+00:00 AGG-2 vsx-syncd[29481]: Event|7602|LOG_INFO|AMM|-|Configuration sync update :
connected to peer's database
2019-12-11T10:25:23.318891+00:00 AGG-2 vsx-syncd[29481]: Event|7602|LOG_INFO|AMM|-|Configuration sync update :
Initiated configuration sync process
2019-12-11T10:40:00.345125+00:00 AGG-2 vsx-syncd[29481]: Event|7602|LOG_INFO|AMM|-|Configuration sync update : VSX
configuration-sync updated database
2019-12-12T14:13:56.747085+00:00 AGG-2 vsx-syncd[29481]: Event|7601|LOG_ERR|AMM|-|Configuration sync error : Missing
reference in database while syncing configuration. Use "show running-config vsx-sync peer-diff" to help identify the
missing reference.
2019-12-12T14:14:00.380789+00:00 AGG-2 vsx-syncd[29481]: Event|7602|LOG_INFO|AMM|-|Configuration sync update : Missing
Reference Error: Could not find Port 1%2F1%2F3 on secondary VSX database.
```

- “show vsx config-consistency” can be used after the VSX cluster configuration to check all VLANs, STP, and LAG parameters.

#### AGG-1

```
AGG-1# show vsx config-consistency
Configurations
-----
Software Version          Local          Peer
System MAC               02:01:00:00:01:00  02:01:00:00:01:00
System Profile           Basic          Basic
ISL hello interval       1              1
ISL dead interval        20             20
ISL hold interval        0              0
Keepalive hello interval 1              1
Keepalive dead interval  3              3
Keepalive UDP port       7678           7678

VSX VLAN List
-----
Local ISL VLANs : 1-2 10 20-30
Peer ISL VLANs : 1-2 10 20-30

VSX Active Forwarding
-----
Interface VLANs          : None
Peer Interface VLANs    : None

STP Configurations
-----
STP Enabled              Yes            Yes
STP Mode                 mstp          mstp
MST hello time(in seconds) 2              2
MST maximum age(in seconds) 20            20
MST maximum hops         20            20
MST Config Name          02:01:00:00:01:00  02:01:00:00:01:00
MST Config Revision      0              0
MST Config Digest        AC36177F50283CD4B83821D8AB26DE62  AC36177F50283CD4B83821D8AB26DE62
MST number of instances  0              0

RPVST VLAN List:
-----
Local:
Peer :

AGG-1# show vsx config-consistency lacp
Configurations
-----
Local          Peer
```

```

-----
Name                lag1                lag1
Loop protect enabled false                false
Hash scheme         13-src-dst        13-src-dst
Qos dscp
Qos cos
Qos trust

VSX VLAN list
10 20-30
Peer VSX VLAN list
10 20-30

STP link-type       point_to_point     point_to_point
STP port-type       admin-network      admin-network
STP bpdu-filter     Disabled           Disabled
STP bpdu-guard      Disabled           Disabled
STP loop-guard      Disabled           Disabled
STP root-guard      Enabled            Enabled
STP tcu-guard       Disabled           Disabled

```

- “show vsx status linkup-delay” can be useful right after the unit joining the VSX cluster as there is a delay before ports that are members of VSX LAGs become forwarding.

#### AGG-2

```

AGG-2# show vsx status linkup-delay
Configured linkup delay-timer           : 180 seconds
Initial sync status                     : Completed
Delay timer status                      : Completed
Linkup Delay time left                  :
Interfaces that will be brought up after delay timer expires :
Interfaces that are excluded from delay timer :

```

- “show lacp interfaces” is the command that provides immediate view of LAGs and VSX LAGs health.

#### AGG-1

```

AGG-1# show lacp interfaces

State abbreviations :
A - Active           P - Passive           F - Aggregable I - Individual
S - Short-timeout L - Long-timeout N - InSync   O - OutofSync
C - Collecting       D - Distributing
X - State m/c expired E - Default neighbor state

Actor details of all interfaces:
-----
Intf   Aggr   Port  Port  State  System-ID          System Aggr Forwarding
Name   Name   Id    Pri   State  System-ID          Pri  Key  State
-----
1/1/1  lag1(mc)  1    1    ALFNCD 02:01:00:00:01:00 65534 1    up
1/1/55 lag256    56   1    ALFNCD 08:00:09:b0:c4:aa 65534 256  up
1/1/56 lag256    57   1    ALFNCD 08:00:09:b0:c4:aa 65534 256  up

Partner details of all interfaces:
-----
Intf   Aggr   Port  Port  State  System-ID          System Aggr
Name   Name   Id    Pri   State  System-ID          Pri  Key
-----
1/1/1  lag1(mc)  1    1    ALFNCD 08:00:09:72:61:c6 65534 1
1/1/55 lag256    56   1    ALFNCD 08:00:09:9a:9b:10 65534 256
1/1/56 lag256    57   1    ALFNCD 08:00:09:9a:9b:10 65534 256

```

- “show lacp interfaces multi-chassis” command is very useful to get a complete status of local LACP partnership as well as the VSX peer partnership details. Actor = local node, Partner = LACP neighbor (the access switch), Remote Actor = the VSX peer, Remote Partner = LACP neighbor of the VSX peer. Note that the port id of the VSX secondary is equal to 1000+ID\_of\_the\_primary (in the example 1001). ALFNCD LACP state-flags should appear on all entries.

AGG-1

AGG-1# show lacp interfaces multi-chassis

State abbreviations :

A - Active P - Passive F - Aggregable I - Individual  
S - Short-timeout L - Long-timeout N - InSync O - OutofSync  
C - Collecting D - Distributing  
X - State m/c expired E - Default neighbor state

Actor details of all interfaces:

Intf	Aggregate name	Port id	Port Priority	State	System-ID	System Priority	Aggr Key
1/1/1	lag1(mc)	1	1	ALFNCD	02:01:00:00:01:00	65534	1

Partner details of all interfaces:

Intf	Aggregate name	Partner Port-id	Port Priority	State	System-ID	System Priority	Aggr Key
1/1/1	lag1(mc)	6	1	ALFNCD	08:00:09:72:61:c6	65534	1

Remote Actor details of all interfaces:

Intf	Aggregate name	Port id	Port Priority	State	System-ID	System Priority	Aggr Key
1/1/1	lag1(mc)	1001	1	ALFNCD	02:01:00:00:01:00	65534	1

Remote Partner details of all interfaces:

Intf	Aggregate name	Partner Port-id	Port Priority	State	System-ID	System Priority	Aggr Key
1/1/1	lag1(mc)	7	1	ALFNCD	08:00:09:72:61:c6	65534	1

- “show vsx mac-address-table” is used to check that all MAC addresses are properly synchronized between the VSX primary and the VSX secondary.

AGG-1

AGG-1# show vsx mac-address-table

MAC Address	VLAN	Type	LocalPort	PeerPort
0c:88:77:1b:41:01	10	dynamic	lag1	lag1
00:50:79:66:68:00	10	dynamic	lag1	lag1
0c:88:77:67:57:03	10	dynamic	lag1	lag1
08:00:09:9a:9b:10	21	dynamic	lag256	
08:00:09:9a:9b:10	2	dynamic	lag256	
08:00:09:9a:9b:10	20	dynamic	lag256	
08:00:09:9a:9b:10	23	dynamic	lag256	
08:00:09:9a:9b:10	24	dynamic	lag256	
08:00:09:9a:9b:10	30	dynamic	lag256	
08:00:09:9a:9b:10	29	dynamic	lag256	
08:00:09:9a:9b:10	22	dynamic	lag256	
08:00:09:9a:9b:10	26	dynamic	lag256	
08:00:09:9a:9b:10	1	dynamic	lag256	
08:00:09:9a:9b:10	10	dynamic	lag256	
08:00:09:9a:9b:10	25	dynamic	lag256	
08:00:09:9a:9b:10	27	dynamic	lag256	
08:00:09:9a:9b:10	28	dynamic	lag256	
08:00:09:b0:c4:aa	24	dynamic		lag256
08:00:09:b0:c4:aa	10	dynamic		lag256
08:00:09:b0:c4:aa	26	dynamic		lag256
08:00:09:b0:c4:aa	28	dynamic		lag256
08:00:09:b0:c4:aa	22	dynamic		lag256



```
08:00:09:b0:c4:aa 25 dynamic lag256
08:00:09:b0:c4:aa 29 dynamic lag256
08:00:09:b0:c4:aa 21 dynamic lag256
08:00:09:b0:c4:aa 30 dynamic lag256
08:00:09:b0:c4:aa 1 dynamic lag256
08:00:09:b0:c4:aa 20 dynamic lag256
08:00:09:b0:c4:aa 2 dynamic lag256
08:00:09:b0:c4:aa 23 dynamic lag256
08:00:09:b0:c4:aa 27 dynamic lag256
```

- “show ip interface vlan..” is useful to check VSX active-gateway configuration.

#### AGG-1

```
AGG-1# show ip interface vlan10

Interface vlan10 is up
Admin state is up
Hardware: Ethernet, MAC Address: 08:00:09:b0:c4:aa
IP MTU 9100
IPv4 address 10.1.10.2/24
IPv4 address 10.2.10.2/24 secondary
active-gateway ip mac 12:01:00:00:01:00
active-gateway ip 10.1.10.1
active-gateway ip 10.2.10.1
L3 Counters: Rx Disabled, Tx Disabled
Rx
    ucast: 0 packets, 0 bytes
    mcast: 0 packets, 0 bytes
Tx
    ucast: 0 packets, 0 bytes
    mcast: 0 packets, 0 bytes
```

- “show vsx ip route” is very useful to check the routing table of the cluster, i.e. aggregated view of both VSX nodes.

#### AGG-1

```
AGG-1# show vsx ip route 0.0.0.0

IPv4 Forwarding Routes

'[x/y]' denotes [distance/metric]

0.0.0.0/0, vrf default
  via 10.0.0.2, [110/1], ospf on AGG-1
  via 10.0.0.0, [110/1], ospf on AGG-1
  via 10.0.0.6, [110/1], ospf on AGG-2
  via 10.0.0.4, [110/1], ospf on AGG-2
```

- “show vsx ip data-path” provides an aggregated view of the data-path for the given route on the cluster. Very useful.

#### AGG-1

```
AGG-1# show vsx ip data-path 0.0.0.0
IPv4 Data Path Information For 0.0.0.0

Local Device
-----
Route : 0.0.0.0/0
  Egress L3 Interface : 1/1/49

  Egress L3 Interface : 1/1/50

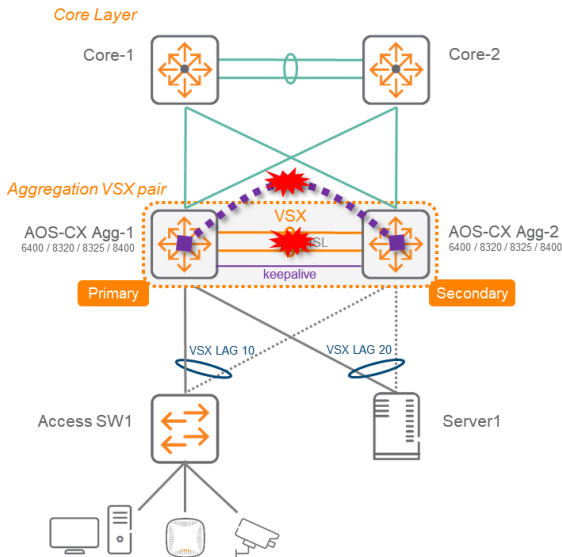
Peer Device
-----
Route : 0.0.0.0/0
  Egress L3 Interface : 1/1/49

  Egress L3 Interface : 1/1/50
```

## VSX Split

### Split brain detection

Here is a summary of split brain detection scenario:



	Keepalive-Established	Keepalive-Init
ISL "In-Sync"	<p><b>Forwarding: OK</b> <b>Protection: OK</b></p>	<p><b>Forwarding: OK</b> <b>Protection: NO</b></p>
ISL "Out-of-Sync"	<p><b>STATE</b></p> <ul style="list-style-type: none"> <li>• ISL is down</li> <li>• Peer is detected and UP</li> </ul> <p><b>ISSUE</b></p> <ul style="list-style-type: none"> <li>• VSX tables get out of sync</li> </ul> <p><b>ACTION</b></p> <ul style="list-style-type: none"> <li>• On secondary only: stop forwarding over VSX LAGs that are "Disabled by feature" as well as associated ports</li> </ul>	<p><b>SPLIT BRAIN</b></p> <p><b>STATE</b></p> <ul style="list-style-type: none"> <li>• ISL is down</li> <li>• Peer is seen DOWN</li> </ul> <p><b>ISSUE</b></p> <ul style="list-style-type: none"> <li>• Traffic drop</li> </ul> <p><b>ACTION</b></p> <ul style="list-style-type: none"> <li>• Both out-of-synced nodes keep forwarding</li> </ul>

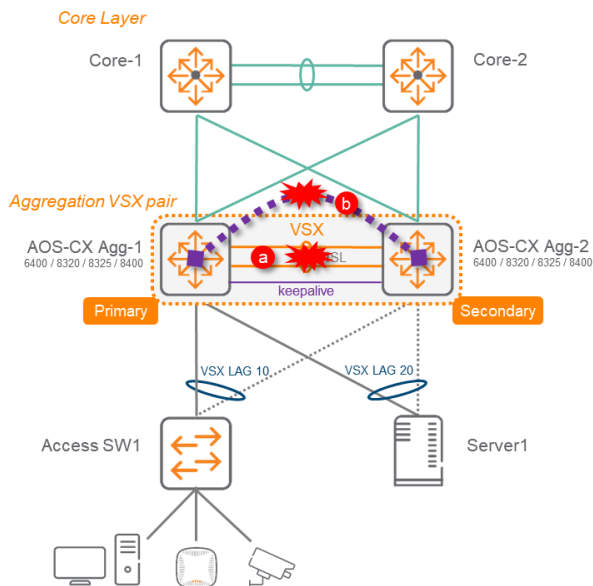
**Note:** There is no reboot required on VSX secondary when the ISL link is restored and the secondary is joining back the cluster. The VSX secondary LAGs and associated physical ports are brought up after the synchronization time (maximum time being the linkup-delay timer).

The ISL cut has no effect on the state (up/down) of VLAN and associated SVI that are not part of any VSX LAG but part of at least one orphan port.

During ISL cut (before initial sync), if the VSX Secondary node has at least one port that is a member of a VSX LAG then the associated SVI of the VLAN transported by the said VSX LAG is turned OFF/SHUT on the VSX Secondary node, whether or not there is an orphan port carrying that given VLAN.

### Split brain

They are two cases that cannot be differentiated: VSX failure (ex: power outage) and ISL+keepalive interruption. In such situation the network administrator would have to choose the strategy: split-recovery ON or OFF. The **best practice is to keep the default split-recovery ON** as the probability to hit a power outage on VSX primary is higher than a cut of all paths for ISL and keepalive. The table below describes in details the behavior of the VSX secondary.



Failure Scenarios	Split-recovery off	Split-recovery on (default)
b) Keepalive down. ISL up.	No impact. (but loss of split detection)	No impact. (but loss of split detection)
a) ISL down. Keepalive up.	Secondary VSX node tears down VSX LAG member ports	Secondary VSX node tears down VSX LAG member ports
a) ISL down. Keepalive up.	Secondary VSX node tears down VSX LAG member ports.	a) Secondary VSX node tears down VSX LAG member ports
b) Then, after sometime <sup>1</sup> , keepalive down as well.	Secondary VSX LAGs stays down.	b) Secondary VSX node restores VSX LAG member ports.
a+b) At the same time <sup>2</sup> , ISL down and keepalive down.	a+b) All VSX LAG ports stay up.	a+b) All VSX LAG ports stay up.
b) Keepalive restore	b) Secondary VSX node tears down VSX LAG member ports	b) Secondary VSX node tears down VSX LAG member ports

<sup>1</sup>: enough time for split to be detected between ISL cut and keepalive down events (between 0sec and one hello time).  
<sup>2</sup>: ISL cut and keepalive down events are closed enough so there is no possibility to detect a split (like a power-off).

## Switch replacement in the VSX Cluster

To replace the VSX primary or the VSX secondary, follow this steps:

- Make sure all cables are labelled with clear identification
- Unplug power and all fibers, copper cables
- Un-rack the failing unit and rack the replacement unit.
- Power-up the unit.
- Restore switch firmware and configuration and shutdown all ports.

To perform this task, there are several options. Here is the recommended option using NetEdit:

- Plug the USB BT dongle on the new switch and plug the OOBM port to a temporary network which can access NetEdit server.
- Use the CX Mobile application to on-board the replacement unit as a new switch on NetEdit.
- From NetEdit, upgrade or downgrade the firmware of the new switch to the same version than the running unit of the VSX cluster.
- In NetEdit, select the last known good configuration of the failing unit, and create a plan based on this configuration for a new deployment on the new unit. Make sure that the OOBM interface will be still accessible with the new configuration (it could be the previous IP of the failing switch as long as it is accessible from NetEdit). Deploy the plan. Commit. (Commit will include saving the running configuration in the start-up configuration).
- SSH to the replacement switch and shutdown all ports:  
For 8320, 8325: interface 1/1/1-1/1/52 or 56  
shutdown  
For 6400/8400: range can not take all the line cards, so it has to be done per line cards.
- Once all ports are shutdown, do not save the configuration.

- Move all the transceivers from the old switch to the new switch.
- Connect back all fibers or copper cables to the replacement switch.
- From SSH session to the new switch, perform the following command:  
“checkpoint rollback startup-config”
- All non VSX LAG ports should turn ON and the unit should immediately join the VSX cluster. After a synchronization time, the VSX LAG ports should forward traffic.
- From NetEdit, if needed, modify the OOBM configuration, and unplug the OOBM port if required. This modification should trigger the switch being red-flagged in NetEdit as the IP address changed. Remove the temporary switch from NetEdit. The initial failing unit on NetEdit should turn green again.
- Save configuration.
- Situation is back to nominal.

### VSX Live Upgrade

VSX upgrade can be performed without traffic interruption. The `vsx update-software` command will orchestrate the full upgrade of the cluster. Here is a quick overview of the steps being performed by this orchestration command:

1. Start two parallel TFTP sessions to download the new firmware to VSX primary and VSX secondary simultaneously
2. Verify firmware and store new firmware on both switches
3. Send graceful shutdown for OSPF, BGP, VRRP and LACP from the VSX secondary and perform traffic redirection to the VSX primary.
4. Reboot secondary
5. After reboot, the secondary joins the VSX cluster with the new version. After HW tables synchronization, the secondary forwards traffic.
6. Once VSX secondary is in steady state, send graceful shutdown for OSPF, BGP, VRRP, LACP from the VSX primary and perform traffic redirection to the VSX secondary.
7. Reboot primary
8. After reboot, the primary joins the VSX cluster with the new version. After HW tables synchronization, the primary forwards traffic.
9. Upgrade is completed.

To proceed with upgrade of the VSX cluster, enter the following command from any console or SS session:

```
AGG-1# vsx update-software tftp://<ip_address>/software_name.swi vrf mgmt
```

**or** AGG-1# vsx update-software boot-bank primary|secondary (with pre-downloaded firmware on either primary or secondary flash on both VSX nodes).

In the example, the OOBM Management VRF is used. It can be any in-band management VRF including default, as long as the TFTP server is accessible from this VRF. Please note that CoPP values might be adjusted when using in-band management to download firmware (default-class priority 2 rate 99999 burst 9999, then restore default values after the transfer is completed: `copp-policy default revert`).

Cumulated impact of the upgrade should be sub-second.

## NetEdit

For proper operation with NetEdit and vsx-sync synchronization, the best practice during a NetEdit configuration change is to proceed in 2 phases:

1. Configure with NETEdit all the parameters that will be synchronized with vsx-sync on the VSX primary only and deploy only on the VSX primary:

The screenshot displays the Oruba NetEdit interface. The top section shows a configuration editor for two devices, AGG-1 (15.136.40.121) and AGG-2 (15.136.40.122). The configuration includes settings for hostname, user, vrf, router-id, max-metric, passive-interface, graceful-restart, trap-enable, access-list, and vsx-sync parameters. The vsx-sync configuration is as follows:

```

16 vsx-sync
17 5 permit tcp 10.1.0.0/255.255.0.0 10.99.1.0/255.255.255.0 eq 1080
18 10 deny any 10.1.0.0/255.255.0.0 10.99.1.0/255.255.255.0
19 1000 permit any any any
  
```

The bottom section shows the 'Configuration Plan Details' for the plan named 'example'. It includes a table of attributes and a deployment status summary.

Attributes	
Change-ID	
Approved-By	
State	Draft

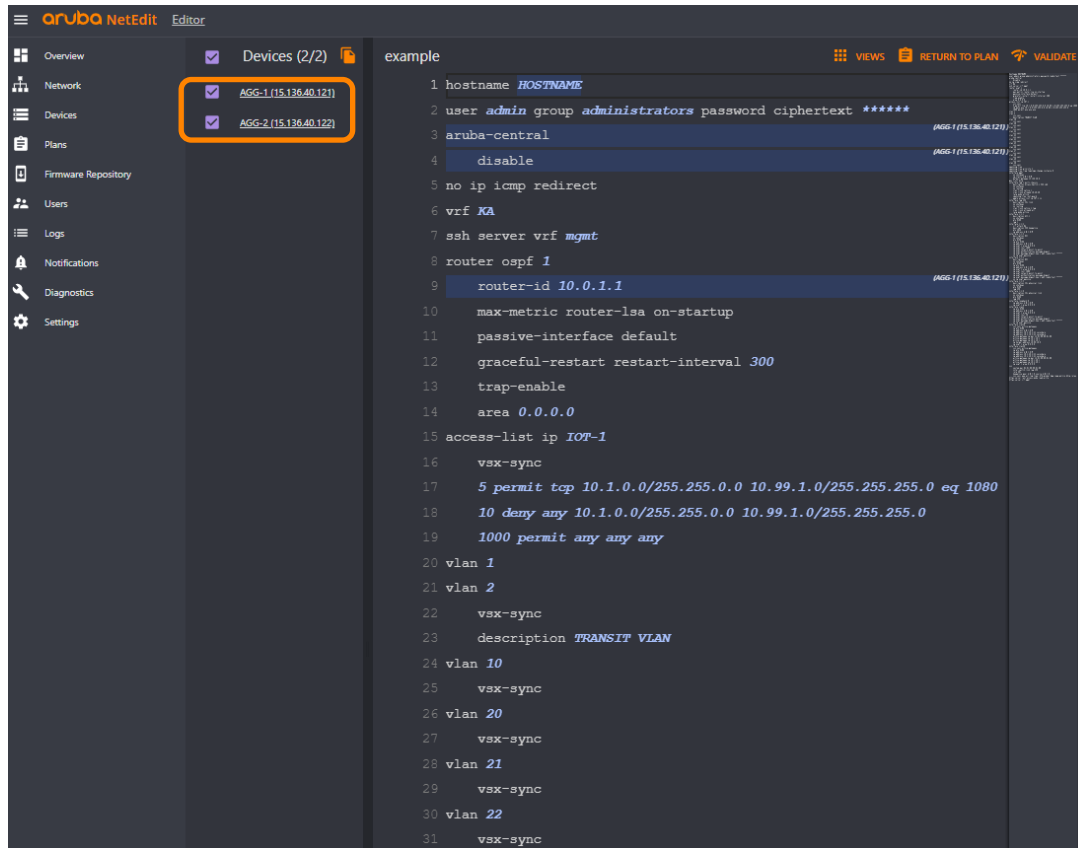
Deployment Status: 0 Deployed, 2 Pending, 0 Failed, 2 Total Devices.

Device Validation		Conformance	
Device Validation	2 Passed	Conformance	Passed
Change Validation	Not Run		

Devices											
Name	Address	Status	Deploy Status	Committed	MAC	Serial	Current Firmware	Model	Device Validation	Conformance	Deployed Revision
<input checked="" type="checkbox"/> AGG-1	15.136.40.121	✓	Pending	No	080009-b0c4aa	OVAB0C4AA	Virtual.10.04.0010	X86-64	✓	✓	---
<input type="checkbox"/> AGG-2	15.136.40.122	✓	Pending	No	080009-9a9b10	OVA9A9B10	Virtual.10.04.0010	X86-64	✓	✓	---



- After VSX synchronization, return to the plan and select both VSX nodes and continue configuration for items that are not synchronized by vsx-sync.



Then deploy on both and commit.

## Resources and references

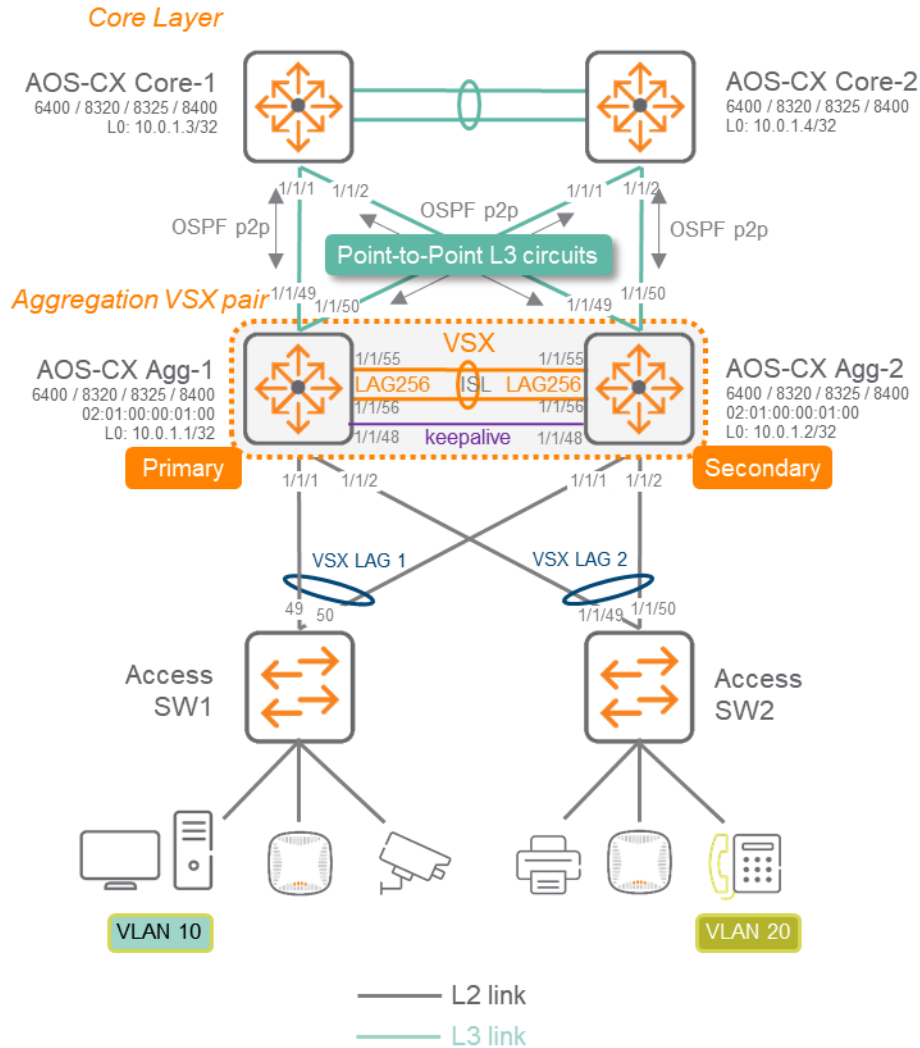
VSX introduction video: <https://www.youtube.com/watch?v=8kuhspVwBTK>

VSX Technology Brief: [https://www.arubanetworks.com/assets/tg/TB\\_VSX.pdf](https://www.arubanetworks.com/assets/tg/TB_VSX.pdf)

VSX configuration guide – 10.4: [https://support.hpe.com/hpsc/doc/public/display?docId=a00091706en\\_us](https://support.hpe.com/hpsc/doc/public/display?docId=a00091706en_us)

## APPENDIX A – Aggregation VSX with single VRF routing model – Configuration example

### Topology



The following configuration examples do not include all the other best practices that are recommended for other aspects like management or authentication as the focus is the VSX configuration and the associated impacts. These other best practices are described in the Campus Validated Reference Design document.. The following examples provide only the extract of the configuration that is required for VSX deployment best practices.

### Access Switch Configuration

#### Access Switch-1 : AOS-S (2930)

```
hostname "ACC-1"
jumbo max-frame-size 9122
trunk 49-50 Trk1 lacp
spanning-tree
spanning-tree bpdu-protection-timeout 3600
spanning-tree Trk1 loop-guard
spanning-tree 1 admin-edge-port
spanning-tree 1 tcn-guard bpdu-protection
spanning-tree 2 admin-edge-port
```



```

spanning-tree 2 tcn-guard bpdu-protection
...
spanning-tree 48 admin-edge-port
spanning-tree 48 tcn-guard bpdu-protection
loop-protect 1-48
loop-protect disable-timer 3600
vlan 1
  name "DEFAULT_VLAN"
  no untagged Trk1
  untagged 1-48,51-52
  no ip address
  exit
vlan 10
  name "VLAN10"
  tagged 1,Trk1
  no ip address
  jumbo
  exit
vlan 20
  name "VLAN20"
  tagged 5,Trk1
  no ip address
  jumbo
  exit

```

### Access Switch-2 : AOS-CX (6300)

```

hostname ACC-2
loop-protect re-enable-timer 3600
!
vlan 1,10,20
spanning-tree
interface lag 1
  no shutdown
  description UPLINK to AGG
  no routing
  vlan trunk native 1
  vlan trunk allowed 10,20
  lacp mode active
  spanning-tree loop-guard
interface 1/1/1
  no shutdown
  mtu 9000
  description Endpoint1
  no routing
  vlan access 10
  spanning-tree bpdu-guard
  spanning-tree port-type admin-edge
  spanning-tree tcn-guard
  loop-protect
interface 1/1/2
  no shutdown
  mtu 9000
  description Endpoint2
  no routing
  vlan access 10
  spanning-tree bpdu-guard
  spanning-tree port-type admin-edge
  spanning-tree tcn-guard
  loop-protect
interface 1/1/49
  no shutdown
  mtu 9100
  lag 1
interface 1/1/50
  no shutdown
  mtu 9100
  lag 1

```

## Aggregation Switch configuration

### AGG-1

```

hostname AGG-1
no ip icmp redirect
vrf KA
!
router ospf 1
  router-id 10.0.1.1
  max-metric router-lsa on-startup
  passive-interface default
  graceful-restart restart-interval 300
  trap-enable
  area 0.0.0.0
access-list ip IOT-1
  vsx-sync
  !
  5 permit tcp 10.1.0.0/255.255.0.0 10.99.1.0/255.255.255.0 eq 1080
  10 deny any 10.1.0.0/255.255.0.0 10.99.1.0/255.255.255.0
  1000 permit any any any
vlan 1
vlan 2
  vsx-sync
  description TRANSIT VLAN
vlan 10
  vsx-sync
vlan 20
  vsx-sync
vlan 21
  vsx-sync
vlan 22
  vsx-sync
vlan 23
  vsx-sync
vlan 24
  vsx-sync
vlan 25
  vsx-sync
vlan 26
  vsx-sync
vlan 27
  vsx-sync
vlan 28
  vsx-sync
vlan 29
  vsx-sync
vlan 30
  vsx-sync
spanning-tree
spanning-tree priority 4
spanning-tree trap topology-change instance 0
qos trust dscp
interface lag 1 multi-chassis
  no shutdown
  description Access-Switch-1 VSX LAG
  no routing
  vlan trunk native 1
  vlan trunk allowed 10,20-30
  lacp mode active
  spanning-tree root-guard
  apply access-list ip IOT-1 in
interface lag 256
  no shutdown
  description ISL link
  no routing
  vlan trunk native 1 tag
  vlan trunk allowed all
  lacp mode active
interface 1/1/1
  no shutdown

```

```

mtu 9100
description ACC-1
lag 1
interface 1/1/48
no shutdown
vrf attach KA
description VSX keepalive
ip address 192.168.0.0/31
interface 1/1/49
no shutdown
mtu 9198
description CORE-1 1/1/1
ip mtu 9198
ip address 10.0.0.1/31
ip ospf 1 area 0.0.0.0
no ip ospf passive
ip ospf cost 1000
ip ospf network point-to-point
ip ospf authentication message-digest
ip ospf message-digest-key 1 md5 ciphertext AQBapcc35qrr0SnZBBka0Zgl7scoOzf9+wPnYW36nvk3HA5oBQAAAjB1UbLX
interface 1/1/50
no shutdown
mtu 9198
description CORE-2 1/1/1
ip mtu 9198
ip address 10.0.0.3/31
ip ospf 1 area 0.0.0.0
no ip ospf passive
ip ospf cost 1000
ip ospf network point-to-point
ip ospf authentication message-digest
ip ospf message-digest-key 1 md5 ciphertext AQBapcc35qrr0SnZBBka0Zgl7scoOzf9+wPnYW36nvk3HA5oBQAAAjB1UbLX
interface 1/1/55
no shutdown
mtu 9198
description ISL physical link
lag 256
interface 1/1/56
no shutdown
mtu 9198
description ISL physical link
lag 256
interface loopback 0
ip address 10.0.1.1/32
ip ospf 1 area 0.0.0.0
interface vlan2
ip mtu 9198
ip address 10.0.2.1/30
ip ospf 1 area 0.0.0.0
no ip ospf passive
ip ospf cost 50
ip ospf network point-to-point
ip ospf authentication message-digest
ip ospf message-digest-key 1 md5 ciphertext AQBapcc35qrr0SnZBBka0Zgl7scoOzf9+wPnYW36nvk3HA5oBQAAAjB1UbLX
interface vlan10
vsx-sync active-gateways
ip mtu 9100
ip address 10.1.10.2/24
ip address 10.2.10.2/24 secondary
active-gateway ip mac 12:01:00:00:01:00
active-gateway ip 10.1.10.1
active-gateway ip 10.2.10.1
ip helper-address 10.99.10.9
ip ospf 1 area 0.0.0.0
interface vlan20
vsx-sync active-gateways
ip mtu 9100
ip address 10.1.20.2/24
ip address 10.2.20.2/24 secondary
active-gateway ip mac 12:01:00:00:01:00
active-gateway ip 10.1.20.1

```

```

    active-gateway ip 10.2.20.1
    ip ospf 1 area 0.0.0.0
vsx
    system-mac 02:01:00:00:01:00
    inter-switch-link lag 256
    role primary
    keepalive peer 192.168.0.1 source 192.168.0.0 vrf KA
    vsx-sync aaa acl-log-timer bfd-global bgp copp-policy dhcp-relay dhcp-server dhcp-snooping dns icmp-tcp lldp loop-
protect-global mac-lockout mclag-interfaces neighbor ospf qos-global route-map sflow-global snmp ssh stp-global time vsx-
global

```

## AGG-2

```

hostname AGG-2
no ip icmp redirect
vrf KA
!
router ospf 1
    router-id 10.0.1.2
    max-metric router-lsa on-startup
    passive-interface default
    graceful-restart restart-interval 300
    trap-enable
    area 0.0.0.0
access-list ip IOT-1
    vsx-sync
    !
    5 permit tcp 10.1.0.0/255.255.0.0 10.99.1.0/255.255.255.0 eq 1080
    10 deny any 10.1.0.0/255.255.0.0 10.99.1.0/255.255.255.0
    1000 permit any any any
vlan 1
vlan 2
    vsx-sync
    description TRANSIT VLAN
vlan 10
    vsx-sync
vlan 20
    vsx-sync
vlan 21
    vsx-sync
vlan 22
    vsx-sync
vlan 23
    vsx-sync
vlan 24
    vsx-sync
vlan 25
    vsx-sync
vlan 26
    vsx-sync
vlan 27
    vsx-sync
vlan 28
    vsx-sync
vlan 29
    vsx-sync
vlan 30
    vsx-sync
spanning-tree
spanning-tree priority 4
spanning-tree trap topology-change instance 0
qos trust dscp
interface lag 1 multi-chassis
    no shutdown
    description Access-Switch-1 VSX LAG
    no routing
    vlan trunk native 1
    vlan trunk allowed 10,20-30
    lacp mode active
    spanning-tree root-guard
    apply access-list ip IOT-1 in
interface lag 256

```

```

no shutdown
description ISL link
no routing
vlan trunk native 1 tag
vlan trunk allowed all
lacp mode active
interface 1/1/1
no shutdown
mtu 9100
description ACC-1
lag 1
interface 1/1/48
no shutdown
vrf attach KA
description VSX keepalive
ip address 192.168.0.1/31
interface 1/1/49
no shutdown
mtu 9198
description CORE-1 1/1/2
ip mtu 9198
ip address 10.0.0.5/31
ip ospf 1 area 0.0.0.0
no ip ospf passive
ip ospf cost 1000
ip ospf network point-to-point
ip ospf authentication message-digest
ip ospf message-digest-key 1 md5 ciphertext AQBapcc35qrr0SnZBBka0Zgl7scoOzf9+wPnYW36nvk3HA5oBQAAAjblUbLX
interface 1/1/50
no shutdown
mtu 9198
description CORE-2 1/1/2
ip mtu 9198
ip address 10.0.0.7/31
ip ospf 1 area 0.0.0.0
no ip ospf passive
ip ospf cost 1000
ip ospf network point-to-point
ip ospf authentication message-digest
ip ospf message-digest-key 1 md5 ciphertext AQBapcc35qrr0SnZBBka0Zgl7scoOzf9+wPnYW36nvk3HA5oBQAAAjblUbLX
interface 1/1/55
no shutdown
mtu 9198
description ISL physical link
lag 256
interface 1/1/56
no shutdown
mtu 9198
description ISL physical link
lag 256
interface loopback 0
ip address 10.0.1.2/32
ip ospf 1 area 0.0.0.0
interface vlan2
ip mtu 9198
ip address 10.0.2.2/30
ip ospf 1 area 0.0.0.0
no ip ospf passive
ip ospf cost 50
ip ospf network point-to-point
ip ospf authentication message-digest
ip ospf message-digest-key 1 md5 ciphertext AQBapcc35qrr0SnZBBka0Zgl7scoOzf9+wPnYW36nvk3HA5oBQAAAjblUbLX
interface vlan10
vsx-sync active-gateways
ip mtu 9100
ip address 10.1.10.3/24
ip address 10.2.10.3/24 secondary
active-gateway ip mac 12:01:00:00:01:00
active-gateway ip 10.1.10.1
active-gateway ip 10.2.10.1
ip helper-address 10.99.10.9

```

```

ip ospf 1 area 0.0.0.0
interface vlan20
vsx-sync active-gateways
ip mtu 9100
ip address 10.1.20.3/24
ip address 10.2.20.3/24 secondary
active-gateway ip mac 12:01:00:00:01:00
active-gateway ip 10.1.20.1
active-gateway ip 10.2.20.1
ip ospf 1 area 0.0.0.0
vsx
system-mac 02:01:00:00:01:00
inter-switch-link lag 256
role secondary
keepalive peer 192.168.0.0 source 192.168.0.1 vrf KA
vsx-sync aaa acl-log-timer bfd-global bgp copp-policy dhcp-relay dhcp-server dhcp-snooping dns icmp-tcp lldp loop-
protect-global mac-lockout mclag-interfaces neighbor ospf qos-global route-map sflow-global snmp ssh stp-global time vsx-
global

```

## Core Switch Configuration

The configuration of the core layer partially reflects the topology (the routed LAG between Core-1/2 is replaced by a single interface 1/1/3)

### Core-1

```

hostname CORE-1
!
router ospf 1
router-id 10.0.1.3
max-metric router-lsa on-startup
passive-interface default
default-information originate always
graceful-restart restart-interval 300
trap-enable
area 0.0.0.0
interface 1/1/1
no shutdown
mtu 9198
ip mtu 9198
ip address 10.0.0.0/31
ip ospf 1 area 0.0.0.0
no ip ospf passive
ip ospf cost 1000
ip ospf network point-to-point
ip ospf authentication message-digest
ip ospf message-digest-key 1 md5 ciphertext AQBapcc35qrr0SnZBBka0Zgl7scoOzf9+wPnYW36nvk3HA5oBQAAAjB1UbLX
interface 1/1/2
no shutdown
mtu 9198
ip mtu 9198
ip address 10.0.0.4/31
ip ospf 1 area 0.0.0.0
no ip ospf passive
ip ospf cost 1000
ip ospf network point-to-point
ip ospf authentication message-digest
ip ospf message-digest-key 1 md5 ciphertext AQBapcc35qrr0SnZBBka0Zgl7scoOzf9+wPnYW36nvk3HA5oBQAAAjB1UbLX
interface 1/1/3
no shutdown
mtu 9198
ip mtu 9198
ip address 10.0.0.252/31
ip ospf 1 area 0.0.0.0
no ip ospf passive
ip ospf cost 1000
ip ospf network point-to-point
ip ospf authentication message-digest
ip ospf message-digest-key 1 md5 ciphertext AQBapcc35qrr0SnZBBka0Zgl7scoOzf9+wPnYW36nvk3HA5oBQAAAjB1UbLX
interface loopback 0
ip address 10.0.1.3/32
ip ospf 1 area 0.0.0.0

```

## Core-2

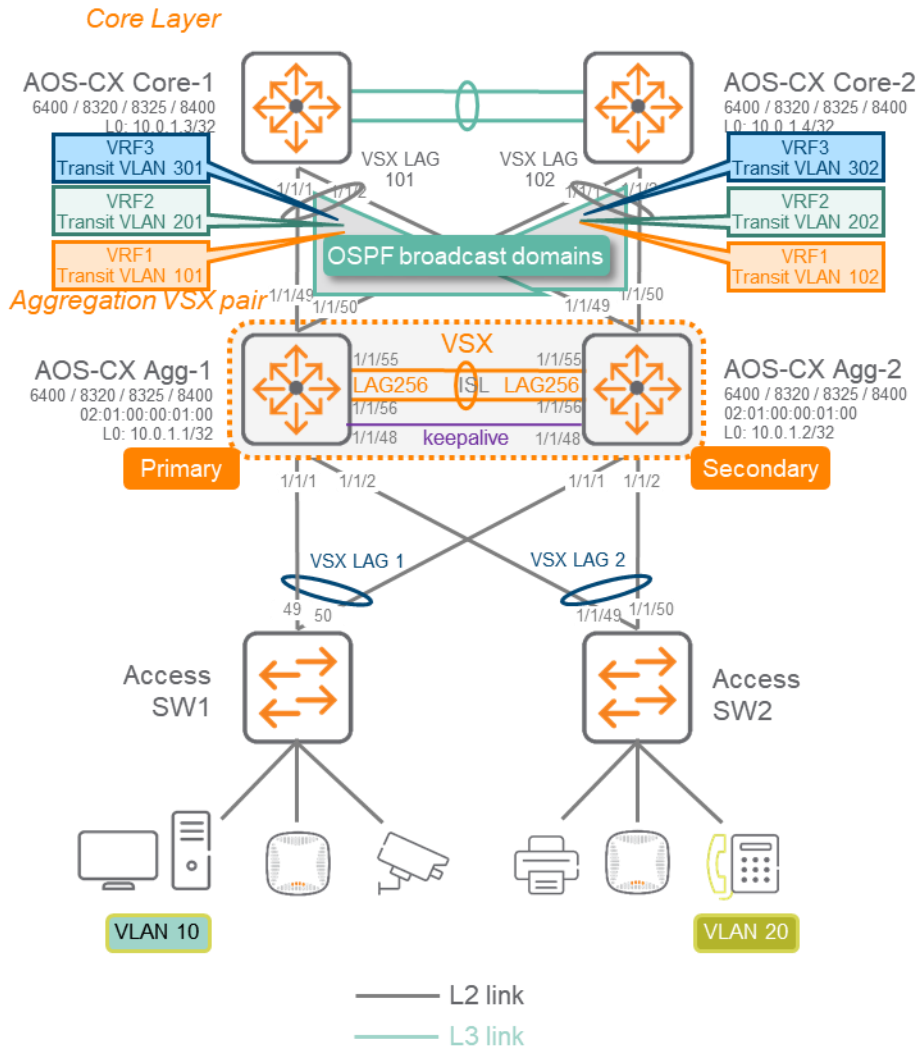
```

hostname CORE-2
!
router ospf 1
  router-id 10.0.1.4
  max-metric router-lsa on-startup
  passive-interface default
  default-information originate always
  graceful-restart restart-interval 300
  trap-enable
  area 0.0.0.0
interface 1/1/1
  no shutdown
  mtu 9198
  ip mtu 9198
  ip address 10.0.0.2/31
  ip ospf 1 area 0.0.0.0
  no ip ospf passive
  ip ospf cost 1000
  ip ospf network point-to-point
  ip ospf authentication message-digest
  ip ospf message-digest-key 1 md5 ciphertext AQBapcc35qrr0SnZBBka0Zgl7scoOzf9+wPnYW36nvk3HA5oBQAAAjblUbLX
interface 1/1/2
  no shutdown
  mtu 9198
  ip mtu 9198
  ip address 10.0.0.6/31
  ip ospf 1 area 0.0.0.0
  no ip ospf passive
  ip ospf cost 1000
  ip ospf network point-to-point
  ip ospf authentication message-digest
  ip ospf message-digest-key 1 md5 ciphertext AQBapcc35qrr0SnZBBka0Zgl7scoOzf9+wPnYW36nvk3HA5oBQAAAjblUbLX
interface 1/1/3
  no shutdown
  mtu 9198
  ip mtu 9198
  ip address 10.0.0.253/31
  ip ospf 1 area 0.0.0.0
  no ip ospf passive
  ip ospf cost 1000
  ip ospf network point-to-point
  ip ospf authentication message-digest
  ip ospf message-digest-key 1 md5 ciphertext AQBapcc35qrr0SnZBBka0Zgl7scoOzf9+wPnYW36nvk3HA5oBQAAAjblUbLX
interface loopback 0
  ip address 10.0.1.4/32
  ip ospf 1 area 0.0.0.0

```

## APPENDIX B - Aggregation VSX with multiple VRF routing model - Configuration example

### Topology



The following configuration examples do not include all the other best practices that are recommended for other aspects like management or authentication as the focus is the VSX configuration and the associated impacts. These other best practices are described in the Campus Validated Reference Design document.. The following examples provide only the extract of the configuration that is required for VSX deployment best practices.

### Access Switch Configuration

#### Access Switch-1 : AOS-S (2930)

```
hostname "ACC-1"
jumbo max-frame-size 9122
trunk 49-50 Trk1 lacp
spanning-tree
spanning-tree bpdu-protection-timeout 3600
spanning-tree Trk1 loop-guard
spanning-tree 1 admin-edge-port
spanning-tree 1 tcn-guard bpdu-protection
```



```

spanning-tree 2 admin-edge-port
spanning-tree 2 tcg-guard bpdu-protection
...
spanning-tree 48 admin-edge-port
spanning-tree 48 tcg-guard bpdu-protection
loop-protect 1-48
loop-protect disable-timer 3600
vlan 1
  name "DEFAULT_VLAN"
  no untagged Trk1
  untagged 1-48,51-52
  no ip address
  exit
vlan 10
  name "VLAN10"
  tagged 1,Trk1
  no ip address
  jumbo
  exit
vlan 20
  name "VLAN20"
  tagged 5,Trk1
  no ip address
  jumbo
  exit

```

### Access Switch-2 : AOS-CX (6300)

```

hostname ACC-2
loop-protect re-enable-timer 3600
!
vlan 1,10,20
spanning-tree
interface lag 1
  no shutdown
  description UPLINK to AGG
  no routing
  vlan trunk native 1
  vlan trunk allowed 10,20
  lacp mode active
  spanning-tree loop-guard
interface 1/1/1
  no shutdown
  mtu 9000
  description Endpoint1
  no routing
  vlan access 10
  spanning-tree bpdu-guard
  spanning-tree port-type admin-edge
  spanning-tree tcg-guard
  loop-protect
interface 1/1/2
  no shutdown
  mtu 9000
  description Endpoint2
  no routing
  vlan access 10
  spanning-tree bpdu-guard
  spanning-tree port-type admin-edge
  spanning-tree tcg-guard
  loop-protect
interface 1/1/49
  no shutdown
  mtu 9100
  lag 1
interface 1/1/50
  no shutdown
  mtu 9100
  lag 1

```

## Aggregation Switch configuration

### AGG-1

```

hostname AGG-1
no ip icmp redirect
vrf KA
vrf VRF1
vrf VRF2
!
router ospf 1 vrf VRF1
  router-id 10.0.1.1
  max-metric router-lsa on-startup
  passive-interface default
  graceful-restart restart-interval 300
  trap-enable
  area 0.0.0.0
router ospf 1 vrf VRF2
  router-id 10.0.1.1
  max-metric router-lsa on-startup
  passive-interface default
  graceful-restart restart-interval 300
  trap-enable
  area 0.0.0.0
access-list ip IOT-1
  vsx-sync
  !
  5 permit tcp 10.1.0.0/255.255.0.0 10.99.1.0/255.255.255.0 eq 1080
  10 deny any 10.1.0.0/255.255.0.0 10.99.1.0/255.255.255.0
  1000 permit any any any
vlan 1
vlan 10
  vsx-sync
vlan 20
  vsx-sync
vlan 21
  vsx-sync
vlan 22
  vsx-sync
vlan 23
  vsx-sync
vlan 24
  vsx-sync
vlan 25
  vsx-sync
vlan 26
  vsx-sync
vlan 27
  vsx-sync
vlan 28
  vsx-sync
vlan 29
  vsx-sync
vlan 30
  vsx-sync
vlan 101
  vsx-sync
  description TRANSIT VLAN VRF1-CORE1
vlan 102
  vsx-sync
  description TRANSIT VLAN VRF1-CORE2
vlan 201
  vsx-sync
  description TRANSIT VLAN VRF2-CORE1
vlan 202
  vsx-sync
  description TRANSIT VLAN VRF2-CORE2
spanning-tree
spanning-tree priority 4
spanning-tree trap topology-change instance 0
qos trust dscp

```

```

interface lag 1 multi-chassis
  no shutdown
  description Access-Switch-1 VSX LAG
  no routing
  vlan trunk native 1
  vlan trunk allowed 10,20-30
  lacp mode active
  spanning-tree root-guard
  apply access-list ip IOT-1 in
interface lag 101 multi-chassis
  no shutdown
  description CORE-1 VSX LAG
  no routing
  vlan trunk native 1
  vlan trunk allowed 101,201
  lacp mode active
  spanning-tree bpdu-filter
interface lag 102 multi-chassis
  no shutdown
  description CORE-2 VSX LAG
  no routing
  vlan trunk native 1
  vlan trunk allowed 102,202
  lacp mode active
  spanning-tree bpdu-filter
interface lag 256
  no shutdown
  description ISL link
  no routing
  vlan trunk native 1 tag
  vlan trunk allowed all
  lacp mode active
interface 1/1/1
  no shutdown
  mtu 9100
  description ACC-1
  lag 1
interface 1/1/48
  no shutdown
  vrf attach KA
  description VSX keepalive
  ip address 192.168.0.0/31
interface 1/1/49
  no shutdown
  mtu 9198
  description CORE-1 1/1/1
  lag 101
interface 1/1/50
  no shutdown
  mtu 9198
  description CORE-2 1/1/1
  lag 102
interface 1/1/55
  no shutdown
  mtu 9198
  description ISL physical link
  lag 256
interface 1/1/56
  no shutdown
  mtu 9198
  description ISL physical link
  lag 256
interface loopback 0
  vrf attach VRF1
  ip address 10.0.1.1/32
  ip ospf 1 area 0.0.0.0
interface vlan10
  vsx-sync active-gateways
  vrf attach VRF1
  ip mtu 9100
  ip address 10.1.10.2/24

```

```

ip address 10.2.10.2/24 secondary
active-gateway ip mac 12:01:00:00:01:00
active-gateway ip 10.1.10.1
active-gateway ip 10.2.10.1
ip helper-address 10.99.10.9
ip ospf 1 area 0.0.0.0
interface vlan20
vsx-sync active-gateways
vrf attach VRF2
ip mtu 9100
ip address 10.1.20.2/24
ip address 10.2.20.2/24 secondary
active-gateway ip mac 12:01:00:00:01:00
active-gateway ip 10.1.20.1
active-gateway ip 10.2.20.1
ip ospf 1 area 0.0.0.0
interface vlan101
vrf attach VRF1
ip mtu 9198
vsx active-forwarding
ip address 10.0.101.2/29
ip ospf 1 area 0.0.0.0
no ip ospf passive
ip ospf cost 50
ip ospf authentication message-digest
ip ospf message-digest-key 1 md5 ciphertext AQBapcc35qrr0SnZBBka0Zgl7scoOzf9+wPnYW36nvk3HA5oBQAAAjB1UbLX
interface vlan102
vrf attach VRF1
ip mtu 9198
vsx active-forwarding
ip address 10.0.102.2/29
ip ospf 1 area 0.0.0.0
no ip ospf passive
ip ospf cost 50
ip ospf authentication message-digest
ip ospf message-digest-key 1 md5 ciphertext AQBapcc35qrr0SnZBBka0Zgl7scoOzf9+wPnYW36nvk3HA5oBQAAAjB1UbLX
interface vlan201
vrf attach VRF2
ip mtu 9198
vsx active-forwarding
ip address 10.0.201.2/29
ip ospf 1 area 0.0.0.0
no ip ospf passive
ip ospf cost 50
ip ospf authentication message-digest
ip ospf message-digest-key 1 md5 ciphertext AQBapcc35qrr0SnZBBka0Zgl7scoOzf9+wPnYW36nvk3HA5oBQAAAjB1UbLX
interface vlan202
vrf attach VRF2
ip mtu 9198
vsx active-forwarding
ip address 10.0.202.2/29
ip ospf 1 area 0.0.0.0
no ip ospf passive
ip ospf cost 50
ip ospf authentication message-digest
ip ospf message-digest-key 1 md5 ciphertext AQBapcc35qrr0SnZBBka0Zgl7scoOzf9+wPnYW36nvk3HA5oBQAAAjB1UbLX
vsx
system-mac 02:01:00:00:01:00
inter-switch-link lag 256
role primary
keepalive peer 192.168.0.1 source 192.168.0.0 vrf KA
linkup-delay-timer exclude lag 101-102
vsx-sync aaa acl-log-timer bfd-global bgp copp-policy dhcp-relay dhcp-server dhcp-snooping dns icmp-tcp lldp loop-
protect-global mac-lockout mclag-interfaces neighbor ospf qos-global route-map sflow-global snmp ssh stp-global time vsx-
global

```

## AGG-2

```

hostname AGG-2
no ip icmp redirect
vrf KA
vrf VRF1

```

```

vrf VRF2
!
router ospf 1 vrf VRF1
  router-id 10.0.1.2
  max-metric router-lsa on-startup
  passive-interface default
  graceful-restart restart-interval 300
  trap-enable
  area 0.0.0.0
router ospf 1 vrf VRF2
  router-id 10.0.1.2
  max-metric router-lsa on-startup
  passive-interface default
  graceful-restart restart-interval 300
  trap-enable
  area 0.0.0.0
access-list ip IOT-1
  vsx-sync
  !
  5 permit tcp 10.1.0.0/255.255.0.0 10.99.1.0/255.255.255.0 eq 1080
  10 deny any 10.1.0.0/255.255.0.0 10.99.1.0/255.255.255.0
  1000 permit any any any
vlan 1
vlan 10
  vsx-sync
vlan 20
  vsx-sync
vlan 21
  vsx-sync
vlan 22
  vsx-sync
vlan 23
  vsx-sync
vlan 24
  vsx-sync
vlan 25
  vsx-sync
vlan 26
  vsx-sync
vlan 27
  vsx-sync
vlan 28
  vsx-sync
vlan 29
  vsx-sync
vlan 30
  vsx-sync
vlan 101
  vsx-sync
  description TRANSIT VLAN VRF1-CORE1
vlan 102
  vsx-sync
  description TRANSIT VLAN VRF1-CORE2
vlan 201
  vsx-sync
  description TRANSIT VLAN VRF2-CORE1
vlan 202
  vsx-sync
  description TRANSIT VLAN VRF2-CORE2
spanning-tree
spanning-tree priority 4
spanning-tree trap topology-change instance 0
qos trust dscp
interface lag 1 multi-chassis
  no shutdown
  description Access-Switch-1 VSX LAG
  no routing
  vlan trunk native 1
  vlan trunk allowed 10,20-30
  lacp mode active
  spanning-tree root-guard

```

```

    apply access-list ip IOT-1 in
interface lag 101 multi-chassis
    no shutdown
    description CORE-1 VSX LAG
    no routing
    vlan trunk native 1
    vlan trunk allowed 101,201
    lacp mode active
    spanning-tree bpdu-filter
interface lag 102 multi-chassis
    no shutdown
    description CORE-2 VSX LAG
    no routing
    vlan trunk native 1
    vlan trunk allowed 102,202
    lacp mode active
    spanning-tree bpdu-filter
interface lag 256
    no shutdown
    description ISL link
    no routing
    vlan trunk native 1 tag
    vlan trunk allowed all
    lacp mode active
interface 1/1/1
    no shutdown
    mtu 9100
    description ACC-1
    lag 1
interface 1/1/48
    no shutdown
    vrf attach KA
    description VSX keepalive
    ip address 192.168.0.1/31
interface 1/1/49
    no shutdown
    mtu 9198
    description CORE-1 1/1/2
    lag 101
interface 1/1/50
    no shutdown
    mtu 9198
    description CORE-2 1/1/2
    lag 102
interface 1/1/55
    no shutdown
    mtu 9198
    description ISL physical link
    lag 256
interface 1/1/56
    no shutdown
    mtu 9198
    description ISL physical link
    lag 256
interface loopback 0
    vrf attach VRF1
    ip address 10.0.1.2/32
    ip ospf 1 area 0.0.0.0
interface vlan10
    vsx-sync active-gateways
    vrf attach VRF1
    ip mtu 9100
    ip address 10.1.10.3/24
    ip address 10.2.10.3/24 secondary
    active-gateway ip mac 12:01:00:00:01:00
    active-gateway ip 10.1.10.1
    active-gateway ip 10.2.10.1
    ip helper-address 10.99.10.9
    ip ospf 1 area 0.0.0.0
interface vlan20
    vsx-sync active-gateways

```

```

vrf attach VRF2
ip mtu 9100
ip address 10.1.20.3/24
ip address 10.2.20.3/24 secondary
active-gateway ip mac 12:01:00:00:01:00
active-gateway ip 10.1.20.1
active-gateway ip 10.2.20.1
ip ospf 1 area 0.0.0.0
interface vlan101
vrf attach VRF1
ip mtu 9198
vsx active-forwarding
ip address 10.0.101.3/29
ip ospf 1 area 0.0.0.0
no ip ospf passive
ip ospf cost 50
ip ospf authentication message-digest
ip ospf message-digest-key 1 md5 ciphertxt AQBapcc35qrr0SnZBBka0Zgl7scoOzf9+wPnYW36nvk3HA5oBQAAAjblUbLX
interface vlan102
vrf attach VRF1
ip mtu 9198
vsx active-forwarding
ip address 10.0.102.3/29
ip ospf 1 area 0.0.0.0
no ip ospf passive
ip ospf cost 50
ip ospf authentication message-digest
ip ospf message-digest-key 1 md5 ciphertxt AQBapcc35qrr0SnZBBka0Zgl7scoOzf9+wPnYW36nvk3HA5oBQAAAjblUbLX
interface vlan201
vrf attach VRF2
ip mtu 9198
vsx active-forwarding
ip address 10.0.201.3/29
ip ospf 1 area 0.0.0.0
no ip ospf passive
ip ospf cost 50
ip ospf authentication message-digest
ip ospf message-digest-key 1 md5 ciphertxt AQBapcc35qrr0SnZBBka0Zgl7scoOzf9+wPnYW36nvk3HA5oBQAAAjblUbLX
interface vlan202
vrf attach VRF2
ip mtu 9198
vsx active-forwarding
ip address 10.0.202.3/29
ip ospf 1 area 0.0.0.0
no ip ospf passive
ip ospf cost 50
ip ospf authentication message-digest
ip ospf message-digest-key 1 md5 ciphertxt AQBapcc35qrr0SnZBBka0Zgl7scoOzf9+wPnYW36nvk3HA5oBQAAAjblUbLX
vsx
system-mac 02:01:00:00:01:00
inter-switch-link lag 256
role secondary
keepalive peer 192.168.0.0 source 192.168.0.1 vrf KA
linkup-delay-timer exclude lag 101-102
vsx-sync aaa acl-log-timer bfd-global bgp copp-policy dhcp-relay dhcp-server dhcp-snooping dns icmp-tcp lldp loop-
protect-global mac-lockout mclag-interfaces neighbor ospf qos-global route-map sflow-global snmp ssh stp-global time vsx-
global

```

## Core Switch Configuration

The configuration of the core layer partially reflects the topology (the routed LAG between Core-1/2 is replaced by a single interface 1/1/3).

### Core-1

```

hostname CORE-1
vrf VRF1
vrf VRF2
!
router ospf 1 vrf VRF1
router-id 10.0.1.3
max-metric router-lsa on-startup
passive-interface default

```

```

    default-information originate always
    graceful-restart restart-interval 300
    trap-enable
    area 0.0.0.0
router ospf 1 vrf VRF2
    router-id 10.0.1.3
    max-metric router-lsa on-startup
    passive-interface default
    default-information originate always
    graceful-restart restart-interval 300
    trap-enable
    area 0.0.0.0
vlan 11
    description Transit CORE VRF1
vlan 12
    description Transit CORE VRF2
vlan 101
    description TRANSIT VLAN VRF1-CORE1
vlan 201
    description TRANSIT VLAN VRF2-CORE1
interface lag 1
    no shutdown
    no routing
    vlan trunk native 1
    vlan trunk allowed 101,201
    lacp mode active
interface 1/1/1
    no shutdown
    mtu 9198
    lag 1
interface 1/1/2
    no shutdown
    mtu 9198
    lag 1
interface 1/1/3
    no shutdown
    mtu 9198
    no routing
    vlan trunk native 1
    vlan trunk allowed 11-12
interface loopback 0
    vrf attach VRF1
    ip address 10.0.1.3/32
    ip ospf 1 area 0.0.0.0
interface vlan11
    vrf attach VRF1
    ip mtu 9198
    ip address 10.0.11.1/29
    ip ospf 1 area 0.0.0.0
    no ip ospf passive
    ip ospf cost 20
    ip ospf network point-to-point
    ip ospf authentication message-digest
    ip ospf message-digest-key 1 md5 ciphertext AQBapcc35qrr0SnZBBka0Zgl7scoOzf9+wPnYW36nvk3HA5oBQAAAj1UbLX
interface vlan12
    vrf attach VRF2
    ip mtu 9198
    ip address 10.0.12.1/29
    ip ospf 1 area 0.0.0.0
    no ip ospf passive
    ip ospf cost 20
    ip ospf network point-to-point
    ip ospf authentication message-digest
    ip ospf message-digest-key 1 md5 ciphertext AQBapcc35qrr0SnZBBka0Zgl7scoOzf9+wPnYW36nvk3HA5oBQAAAj1UbLX
interface vlan101
    vrf attach VRF1
    ip mtu 9198
    ip address 10.0.101.1/29
    ip ospf 1 area 0.0.0.0
    no ip ospf passive
    ip ospf priority 100

```



```

ip ospf cost 50
ip ospf authentication message-digest
ip ospf message-digest-key 1 md5 ciphertext AQBapcc35qrr0SnZBBka0Zgl7scoOzf9+wPnYW36nvk3HA5oBQAAAjB1UbLX
interface vlan201
vrf attach VRF2
ip mtu 9198
ip address 10.0.201.1/29
ip ospf 1 area 0.0.0.0
no ip ospf passive
ip ospf priority 100
ip ospf cost 50
ip ospf authentication message-digest
ip ospf message-digest-key 1 md5 ciphertext AQBapcc35qrr0SnZBBka0Zgl7scoOzf9+wPnYW36nvk3HA5oBQAAAjB1UbLX

```

## Core-2

```

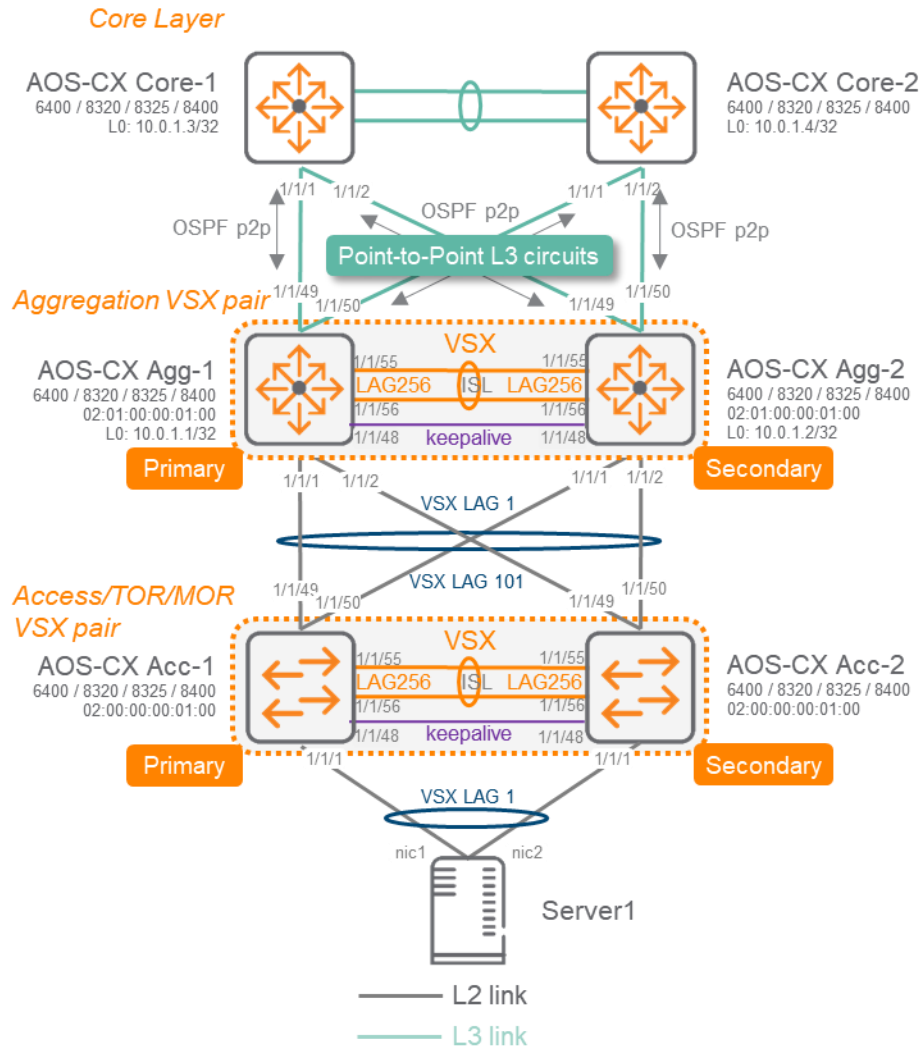
hostname CORE-2
vrf VRF1
vrf VRF2
!
router ospf 1 vrf VRF1
router-id 10.0.1.4
max-metric router-lsa on-startup
passive-interface default
default-information originate always
graceful-restart restart-interval 300
trap-enable
area 0.0.0.0
router ospf 1 vrf VRF2
router-id 10.0.1.4
max-metric router-lsa on-startup
passive-interface default
default-information originate always
graceful-restart restart-interval 300
trap-enable
area 0.0.0.0
vlan 11
description Transit CORE VRF1
vlan 12
description Transit CORE VRF2
vlan 102
description TRANSIT VLAN VRF1-CORE2
vlan 202
description TRANSIT VLAN VRF2-CORE2
interface lag 1
no shutdown
no routing
vlan trunk native 1
vlan trunk allowed 102,202
lACP mode active
interface 1/1/1
no shutdown
mtu 9198
lag 1
interface 1/1/2
no shutdown
mtu 9198
lag 1
interface 1/1/3
no shutdown
mtu 9198
no routing
vlan trunk native 1
vlan trunk allowed 11-12
interface loopback 0
vrf attach VRF1
ip address 10.0.1.4/32
ip ospf 1 area 0.0.0.0
interface vlan11
vrf attach VRF1
ip mtu 9198
ip address 10.0.11.2/29

```

```
ip ospf 1 area 0.0.0.0
no ip ospf passive
ip ospf cost 20
ip ospf network point-to-point
ip ospf authentication message-digest
ip ospf message-digest-key 1 md5 ciphertext AQBapcc35qrr0SnZBBka0Zgl7scoOzf9+wPnYW36nvk3HA5oBQAAAJb1UbLX
interface vlan12
vrf attach VRF2
ip mtu 9198
ip address 10.0.12.2/29
ip ospf 1 area 0.0.0.0
no ip ospf passive
ip ospf cost 20
ip ospf network point-to-point
ip ospf authentication message-digest
ip ospf message-digest-key 1 md5 ciphertext AQBapcc35qrr0SnZBBka0Zgl7scoOzf9+wPnYW36nvk3HA5oBQAAAJb1UbLX
interface vlan102
vrf attach VRF1
ip mtu 9198
ip address 10.0.102.1/29
ip ospf 1 area 0.0.0.0
no ip ospf passive
ip ospf priority 100
ip ospf cost 50
ip ospf authentication message-digest
ip ospf message-digest-key 1 md5 ciphertext AQBapcc35qrr0SnZBBka0Zgl7scoOzf9+wPnYW36nvk3HA5oBQAAAJb1UbLX
interface vlan202
vrf attach VRF2
ip mtu 9198
ip address 10.0.202.1/29
ip ospf 1 area 0.0.0.0
no ip ospf passive
ip ospf priority 100
ip ospf cost 50
ip ospf authentication message-digest
ip ospf message-digest-key 1 md5 ciphertext AQBapcc35qrr0SnZBBka0Zgl7scoOzf9+wPnYW36nvk3HA5oBQAAAJb1UbLX
```

## APPENDIX C - Access VSX to Aggregation VSX - Configuration example

### Topology



The following configuration examples do not include all the other best practices that are recommended for other aspects like management or authentication as the focus is the VSX configuration and the associated impacts. These other best practices are described in the Campus Validated Reference Design document.. The following examples provide only the extract of the configuration that is required for VSX deployment best practices.

### TOR Switch Configuration

#### TOR-1

```
hostname TOR-1
loop-protect re-enable-timer 3600
vrf KA
!
vlan 1
vlan 10
    vsx-sync
vlan 20
```

```

vsx-sync
spanning-tree
spanning-tree trap topology-change instance 0
interface lag 1 multi-chassis
  no shutdown
  description Server-1
  no routing
  vlan trunk native 1
  vlan trunk allowed 10,20
  lacp mode active
  loop-protect
  spanning-tree bpdu-guard
  spanning-tree tcu-guard
  spanning-tree port-type admin-edge
interface lag 101 multi-chassis
  no shutdown
  description AGG VSX
  no routing
  vlan trunk native 1
  vlan trunk allowed 10,20
  lacp mode active
  spanning-tree loop-guard
interface lag 256
  no shutdown
  description ISL link
  no routing
  vlan trunk native 1 tag
  vlan trunk allowed all
  lacp mode active
interface 1/1/1
  no shutdown
  mtu 9000
  description Server-1-nic1
  lag 1
interface 1/1/48
  no shutdown
  vrf attach KA
  description VSX keepalive
  ip address 192.168.0.2/31
interface 1/1/49
  no shutdown
  mtu 9100
  description AGG-1
  lag 101
interface 1/1/50
  no shutdown
  mtu 9100
  description AGG-2
  lag 101
interface 1/1/55
  no shutdown
  mtu 9198
  description ISL physical link
  lag 256
interface 1/1/56
  no shutdown
  mtu 9198
  description ISL physical link
  lag 256
vsx
  system-mac 02:00:00:00:01:00
  inter-switch-link lag 256
  role primary
  keepalive peer 192.168.0.3 source 192.168.0.2 vrf KA
  vsx-sync aaa acl-log-timer bfd-global bgp copp-policy dhcp-relay dhcp-server dhcp-snooping dns icmp-tcp lldp loop-
protect-global mac-lockout mclag-interfaces neighbor ospf qos-global route-map sflow-global snmp ssh stp-global time vsx-
global

```

## TOR-2

```

hostname TOR-2
loop-protect re-enable-timer 3600

```

```

vrf KA
!
vlan 1
vlan 10
    vsx-sync
vlan 20
    vsx-sync
spanning-tree
spanning-tree trap topology-change instance 0
interface lag 1 multi-chassis
    no shutdown
    description Server-1
    no routing
    vlan trunk native 1
    vlan trunk allowed 10,20
    lacp mode active
    loop-protect
    spanning-tree bpdu-guard
    spanning-tree tcn-guard
    spanning-tree port-type admin-edge
interface lag 101 multi-chassis
    no shutdown
    description AGG VSX
    no routing
    vlan trunk native 1
    vlan trunk allowed 10,20
    lacp mode active
    spanning-tree loop-guard
interface lag 256
    no shutdown
    description ISL link
    no routing
    vlan trunk native 1 tag
    vlan trunk allowed all
    lacp mode active
interface 1/1/1
    no shutdown
    mtu 9000
    description Server-1-nic2
    lag 1
interface 1/1/48
    no shutdown
    vrf attach KA
    description VSX keepalive
    ip address 192.168.0.3/31
interface 1/1/49
    no shutdown
    mtu 9100
    description AGG-1
    lag 101
interface 1/1/50
    no shutdown
    mtu 9100
    description AGG-2
    lag 101
interface 1/1/55
    no shutdown
    mtu 9198
    description ISL physical link
    lag 256
interface 1/1/56
    no shutdown
    mtu 9198
    description ISL physical link
    lag 256
vsx
    system-mac 02:00:00:00:01:00
    inter-switch-link lag 256
    role secondary
    keepalive peer 192.168.0.2 source 192.168.0.3 vrf KA

```

```
vsx-sync aaa acl-log-timer bfd-global bgp copp-policy dhcp-relay dhcp-server dhcp-snooping dns icmp-tcp lldp loop-protect-global mac-lockout mclag-interfaces neighbor ospf qos-global route-map sflow-global snmp ssh stp-global time vsx-global
```

## Aggregation Switch configuration

### AGG-1

```
hostname AGG-1
no ip icmp redirect
vrf KA
!
router ospf 1
  router-id 10.0.1.1
  max-metric router-lsa on-startup
  passive-interface default
  graceful-restart restart-interval 300
  trap-enable
  area 0.0.0.0
access-list ip IOT-1
  vsx-sync
  !
  5 permit tcp 10.1.0.0/255.255.0.0 10.99.1.0/255.255.255.0 eq 1080
  10 deny any 10.1.0.0/255.255.0.0 10.99.1.0/255.255.255.0
  1000 permit any any any
vlan 1
vlan 2
  vsx-sync
  description TRANSIT VLAN
vlan 10
  vsx-sync
vlan 20
  vsx-sync
vlan 21
  vsx-sync
vlan 22
  vsx-sync
vlan 23
  vsx-sync
vlan 24
  vsx-sync
vlan 25
  vsx-sync
vlan 26
  vsx-sync
vlan 27
  vsx-sync
vlan 28
  vsx-sync
vlan 29
  vsx-sync
vlan 30
  vsx-sync
spanning-tree
spanning-tree priority 4
spanning-tree trap topology-change instance 0
qos trust dscp
interface lag 1 multi-chassis
  no shutdown
  description TOR-VSX-1
  no routing
  vlan trunk native 1
  vlan trunk allowed 10,20-30
  lacp mode active
  spanning-tree root-guard
  apply access-list ip IOT-1 in
interface lag 256
  no shutdown
  description ISL link
  no routing
  vlan trunk native 1 tag
  vlan trunk allowed all
```

```

    lacp mode active
interface 1/1/1
  no shutdown
  mtu 9100
  description TOR-1
  lag 1
interface 1/1/2
  no shutdown
  mtu 9100
  description TOR-2
  lag 1
interface 1/1/48
  no shutdown
  vrf attach KA
  description VSX keepalive
  ip address 192.168.0.0/31
interface 1/1/49
  no shutdown
  mtu 9198
  description CORE-1 1/1/1
  ip mtu 9198
  ip address 10.0.0.1/31
  ip ospf 1 area 0.0.0.0
  no ip ospf passive
  ip ospf cost 1000
  ip ospf network point-to-point
  ip ospf authentication message-digest
  ip ospf message-digest-key 1 md5 ciphertext AQBapcc35qrr0SnZBBka0Zgl7scoOzf9+wPnYW36nvk3HA5oBQAAAj1UbLX
interface 1/1/50
  no shutdown
  mtu 9198
  description CORE-2 1/1/1
  ip mtu 9198
  ip address 10.0.0.3/31
  ip ospf 1 area 0.0.0.0
  no ip ospf passive
  ip ospf cost 1000
  ip ospf network point-to-point
  ip ospf authentication message-digest
  ip ospf message-digest-key 1 md5 ciphertext AQBapcc35qrr0SnZBBka0Zgl7scoOzf9+wPnYW36nvk3HA5oBQAAAj1UbLX
interface 1/1/55
  no shutdown
  mtu 9198
  description ISL physical link
  lag 256
interface 1/1/56
  no shutdown
  mtu 9198
  description ISL physical link
  lag 256
interface loopback 0
  ip address 10.0.1.1/32
  ip ospf 1 area 0.0.0.0
interface vlan2
  ip mtu 9198
  ip address 10.0.2.1/30
  ip ospf 1 area 0.0.0.0
  no ip ospf passive
  ip ospf cost 50
  ip ospf network point-to-point
  ip ospf authentication message-digest
  ip ospf message-digest-key 1 md5 ciphertext AQBapcc35qrr0SnZBBka0Zgl7scoOzf9+wPnYW36nvk3HA5oBQAAAj1UbLX
interface vlan10
  vsx-sync active-gateways
  ip mtu 9100
  ip address 10.1.10.2/24
  ip address 10.2.10.2/24 secondary
  active-gateway ip mac 12:01:00:00:01:00
  active-gateway ip 10.1.10.1
  active-gateway ip 10.2.10.1
  ip helper-address 10.99.10.9

```

```

    ip ospf 1 area 0.0.0.0
interface vlan20
  vsx-sync active-gateways
  ip mtu 9100
  ip address 10.1.20.2/24
  ip address 10.2.20.2/24 secondary
  active-gateway ip mac 12:01:00:00:01:00
  active-gateway ip 10.1.20.1
  active-gateway ip 10.2.20.1
  ip ospf 1 area 0.0.0.0
vsx
  system-mac 02:01:00:00:01:00
  inter-switch-link lag 256
  role primary
  keepalive peer 192.168.0.1 source 192.168.0.0 vrf KA
  vsx-sync aaa acl-log-timer bfd-global bgp copp-policy dhcp-relay dhcp-server dhcp-snooping dns lldp loop-protect-
global mclag-interfaces ospf qos-global route-map sflow-global snmp ssh stp-global time vsx-global

```

## AGG-2

```

hostname AGG-2
no ip icmp redirect
vrf KA
!
router ospf 1
  router-id 10.0.1.2
  max-metric router-lsa on-startup
  passive-interface default
  graceful-restart restart-interval 300
  trap-enable
  area 0.0.0.0
access-list ip IOT-1
  vsx-sync
  !
  5 permit tcp 10.1.0.0/255.255.0.0 10.99.1.0/255.255.255.0 eq 1080
  10 deny any 10.1.0.0/255.255.0.0 10.99.1.0/255.255.255.0
  1000 permit any any any
vlan 1
vlan 2
  vsx-sync
  description TRANSIT VLAN
vlan 10
  vsx-sync
vlan 20
  vsx-sync
vlan 21
  vsx-sync
vlan 22
  vsx-sync
vlan 23
  vsx-sync
vlan 24
  vsx-sync
vlan 25
  vsx-sync
vlan 26
  vsx-sync
vlan 27
  vsx-sync
vlan 28
  vsx-sync
vlan 29
  vsx-sync
vlan 30
  vsx-sync
spanning-tree
spanning-tree priority 4
spanning-tree trap topology-change instance 0
qos trust dscp
interface lag 1 multi-chassis

```



```

no shutdown
description TOR-VSX-1
no routing
vlan trunk native 1
vlan trunk allowed 10,20-30
lacp mode active
spanning-tree root-guard
apply access-list ip IOT-1 in
interface lag 256
no shutdown
description ISL link
no routing
vlan trunk native 1 tag
vlan trunk allowed all
lacp mode active
interface 1/1/1
no shutdown
mtu 9100
description TOR-1
lag 1
interface 1/1/2
no shutdown
mtu 9100
description TOR-2
lag 1
interface 1/1/48
no shutdown
vrf attach KA
description VSX keepalive
ip address 192.168.0.1/31
interface 1/1/49
no shutdown
mtu 9198
description CORE-1 1/1/2
ip mtu 9198
ip address 10.0.0.5/31
ip ospf 1 area 0.0.0.0
no ip ospf passive
ip ospf cost 1000
ip ospf network point-to-point
ip ospf authentication message-digest
ip ospf message-digest-key 1 md5 ciphertext AQBapcc35qrr0SnZBBka0Zgl7scoOzf9+wPnYW36nvk3HA5oBQAAAjblUbLX
interface 1/1/50
no shutdown
mtu 9198
description CORE-2 1/1/2
ip mtu 9198
ip address 10.0.0.7/31
ip ospf 1 area 0.0.0.0
no ip ospf passive
ip ospf cost 1000
ip ospf network point-to-point
ip ospf authentication message-digest
ip ospf message-digest-key 1 md5 ciphertext AQBapcc35qrr0SnZBBka0Zgl7scoOzf9+wPnYW36nvk3HA5oBQAAAjblUbLX
interface 1/1/55
no shutdown
mtu 9198
description ISL physical link
lag 256
interface 1/1/56
no shutdown
mtu 9198
description ISL physical link
lag 256
interface loopback 0
ip address 10.0.1.2/32
ip ospf 1 area 0.0.0.0
interface vlan2
ip mtu 9198
ip address 10.0.2.2/30
ip ospf 1 area 0.0.0.0

```

```

no ip ospf passive
ip ospf cost 50
ip ospf network point-to-point
ip ospf authentication message-digest
ip ospf message-digest-key 1 md5 ciphertext AQBapcc35qrr0SnZBBka0Zgl7scoOzf9+wPnYW36nvk3HA5oBQAAAj1UbLX
interface vlan10
vsx-sync active-gateways
ip mtu 9100
ip address 10.1.10.3/24
ip address 10.2.10.3/24 secondary
active-gateway ip mac 12:01:00:00:01:00
active-gateway ip 10.1.10.1
active-gateway ip 10.2.10.1
ip helper-address 10.99.10.9
ip ospf 1 area 0.0.0.0
interface vlan20
vsx-sync active-gateways
ip mtu 9100
ip address 10.1.20.3/24
ip address 10.2.20.3/24 secondary
active-gateway ip mac 12:01:00:00:01:00
active-gateway ip 10.1.20.1
active-gateway ip 10.2.20.1
ip ospf 1 area 0.0.0.0
vsx
system-mac 02:01:00:00:01:00
inter-switch-link lag 256
role secondary
keepalive peer 192.168.0.0 source 192.168.0.1 vrf KA
vsx-sync aaa acl-log-timer bfd-global bgp copp-policy dhcp-relay dhcp-server dhcp-snooping dns lldp loop-protect-
global mclag-interfaces ospf qos-global route-map sflow-global snmp ssh stp-global time vsx-global

```

## Core Switch Configuration

The configuration of the core layer partially reflects the topology (the routed LAG between Core-1/2 is replaced by a single interface 1/1/3)

### Core-1

```

hostname CORE-1
!
router ospf 1
router-id 10.0.1.3
max-metric router-lsa on-startup
passive-interface default
default-information originate always
graceful-restart restart-interval 300
trap-enable
area 0.0.0.0
vlan 1
interface 1/1/1
no shutdown
mtu 9198
ip mtu 9198
ip address 10.0.0.0/31
ip ospf 1 area 0.0.0.0
no ip ospf passive
ip ospf cost 1000
ip ospf network point-to-point
ip ospf authentication message-digest
ip ospf message-digest-key 1 md5 ciphertext AQBapcc35qrr0SnZBBka0Zgl7scoOzf9+wPnYW36nvk3HA5oBQAAAj1UbLX
interface 1/1/2
no shutdown
mtu 9198
ip mtu 9198
ip address 10.0.0.4/31
ip ospf 1 area 0.0.0.0
no ip ospf passive
ip ospf cost 1000
ip ospf network point-to-point
ip ospf authentication message-digest
ip ospf message-digest-key 1 md5 ciphertext AQBapcc35qrr0SnZBBka0Zgl7scoOzf9+wPnYW36nvk3HA5oBQAAAj1UbLX
interface 1/1/3

```

```

no shutdown
mtu 9198
ip mtu 9198
ip address 10.0.0.252/31
ip ospf 1 area 0.0.0.0
no ip ospf passive
ip ospf cost 1000
ip ospf network point-to-point
ip ospf authentication message-digest
ip ospf message-digest-key 1 md5 ciphertext AQBapcc35qrr0SnZBBka0Zgl7scoOzf9+wPnYW36nvk3HA5oBQAAAJb1UbLX
interface loopback 0
ip address 10.0.1.3/32
ip ospf 1 area 0.0.0.0

```

## Core-2

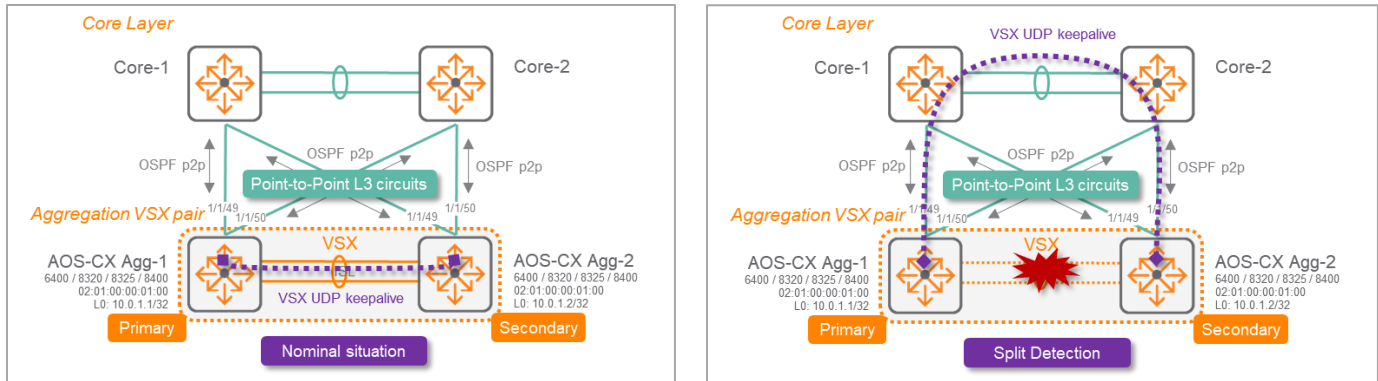
```

hostname CORE-2
!
router ospf 1
  router-id 10.0.1.4
  max-metric router-lsa on-startup
  passive-interface default
  default-information originate always
  graceful-restart restart-interval 300
  trap-enable
  area 0.0.0.0
vlan 1
interface 1/1/1
  no shutdown
  mtu 9198
  ip mtu 9198
  ip address 10.0.0.2/31
  ip ospf 1 area 0.0.0.0
  no ip ospf passive
  ip ospf cost 1000
  ip ospf network point-to-point
  ip ospf authentication message-digest
  ip ospf message-digest-key 1 md5 ciphertext AQBapcc35qrr0SnZBBka0Zgl7scoOzf9+wPnYW36nvk3HA5oBQAAAJb1UbLX
interface 1/1/2
  no shutdown
  mtu 9198
  ip mtu 9198
  ip address 10.0.0.6/31
  ip ospf 1 area 0.0.0.0
  no ip ospf passive
  ip ospf cost 1000
  ip ospf network point-to-point
  ip ospf authentication message-digest
  ip ospf message-digest-key 1 md5 ciphertext AQBapcc35qrr0SnZBBka0Zgl7scoOzf9+wPnYW36nvk3HA5oBQAAAJb1UbLX
interface 1/1/3
  no shutdown
  mtu 9198
  ip mtu 9198
  ip address 10.0.0.253/31
  ip ospf 1 area 0.0.0.0
  no ip ospf passive
  ip ospf cost 1000
  ip ospf network point-to-point
  ip ospf authentication message-digest
  ip ospf message-digest-key 1 md5 ciphertext AQBapcc35qrr0SnZBBka0Zgl7scoOzf9+wPnYW36nvk3HA5oBQAAAJb1UbLX
interface loopback 0
  ip address 10.0.1.4/32
  ip ospf 1 area 0.0.0.0

```

## APPENDIX D – VSX keepalive over upstream L3 Core nodes

Using a direct circuit for VSX keepalive can be expensive when using 40G or 100G ports on equipment like Aruba 8325 32 ports 40/100G or Aruba 8320 32 ports 40G. To minimize the cost impact of a keepalive dedicated circuit with such switches, it may be preferred to allow the VSX keepalive to get established over the L3 upstream network.



In such scenario, VSX UDP keepalive source and destination IP addresses are the loopback IP addresses. Please note that the keepalive UDP port can be changed to accommodate any security access-list or firewall rules that the UDP probe would cross. Here is the associated configuration:

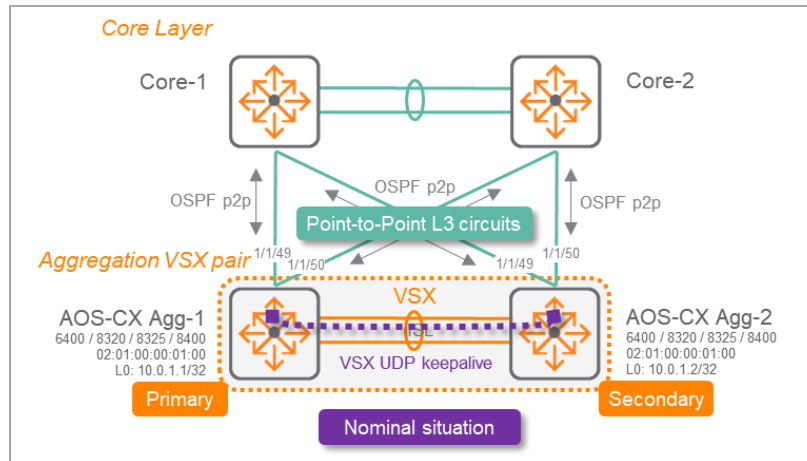
AGG-1(config)#	AGG-2(config)#
<pre>interface loopback 0   ip address 10.0.1.1/32   ip ospf 1 area 0.0.0.0  vsx   keepalive peer 10.0.1.2 source 10.0.1.1   keepalive udp-port ?   &lt;1024-65535&gt; UDP port (Default:7678)</pre>	<pre>interface loopback 0   ip address 10.0.1.2/32   ip ospf 1 area 0.0.0.0  vsx   keepalive peer 10.0.1.1 source 10.0.1.2</pre>
AGG-1 / AGG-2	
<pre>AGG-1# show vsx brief ISL State                : In-Sync Device State             : Peer-Established Keepalive State          : Keepalive-Established Device Role              : primary Number of Multi-chassis LAG interfaces : 1  AGG-2# show vsx status keepalive Keepalive State          : Keepalive-Established Last Established         : Tue Dec 17 17:38:48 2019 Last Failed              : Tue Dec 17 17:38:26 2019 Peer System Id          : 02:01:00:00:01:00 Peer Device Role        : secondary  Keepalive Counters Keepalive Packets Tx    : 186 Keepalive Packets Rx    : 161 Keepalive Timeouts      : 0 Keepalive Packets Dropped : 0</pre>	

For such use-case, the following points must be carefully considered:

- No dedicated VRF is used in this scenario. Indeed, introducing a KeepAlive VRF would lead to change the routing model to the scenario where uplinks are VSX LAGs (for obvious Transit VLANs optimization). So the default VRF is used for keepalive traffic like in the configuration example given above.
- In nominal situation, the VSX keepalive UDP traffic goes over the Transit VLAN carried by the ISL. between the VSX nodes.

- In case of ISL failure, it is critical that the traffic between loopbacks can be established over an alternate path in less time than the VSX keepalive dead interval (by default 3 seconds). Otherwise, both ISL and keepalive would be cut which would lead to a cluster split brain. There are several options to establish that alternate path but the simpler configuration and **Best Practice** is to let OSPF convergence providing that alternate path over the L3 upstream routing domain.

### Nominal Situation



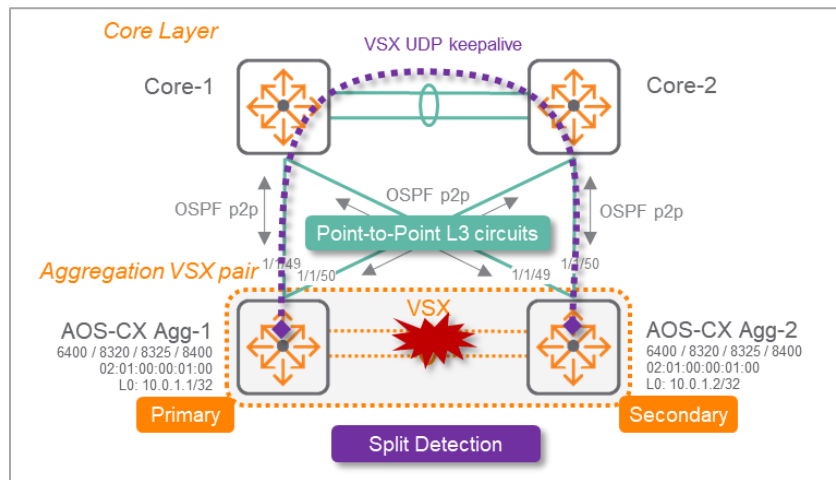
AGG-1	AGG-2
<pre>AGG-1# show ip route 10.0.1.2  Displaying ipv4 routes selected for forwarding  '[x/y]' denotes [distance/metric]  10.0.1.2/32, vrf default   via 10.0.2.2, [110/50], ospf  AGG-1# show vsx ip data-path 10.0.1.2/32 IPv4 Data Path Information For 10.0.1.2/32  Local Device ----- Route : 10.0.1.2/32   Egress L3 Interface : vlan2  Peer Device ----- Route : 10.0.1.2/32   Egress L3 Interface : loopback0  AGG-1# show vsx brief ISL State           : In-Sync Device State        : Peer-Established Keepalive State     : Keepalive- Established Device Role         : primary Number of Multi-chassis LAG interfaces : 1</pre>	<pre>AGG-2# show ip rou 10.0.1.1  Displaying ipv4 routes selected for forwarding  '[x/y]' denotes [distance/metric]  10.0.1.1/32, vrf default   via 10.0.2.1, [110/50], ospf  AGG-2# show vsx ip data-path 10.0.1.1/32 IPv4 Data Path Information For 10.0.1.1/32  Local Device ----- Route : 10.0.1.1/32   Egress L3 Interface : vlan2  Peer Device ----- Route : 10.0.1.1/32   Egress L3 Interface : loopback0  AGG-2# show vsx brief ISL State           : In-Sync Device State        : Peer-Established Keepalive State     : Keepalive- Established Device Role         : secondary Number of Multi-chassis LAG interfaces : 1</pre>
<pre>AGG-1 / AGG-2 AGG-1# traceroute 10.0.1.2</pre>	

```
tracert to 10.0.1.2 (10.0.1.2), 1 hops min, 30 hops max, 3 sec. timeout, 3 probes
 1  10.0.1.2  27.909ms 13.347ms 8.212ms

AGG-2# traceroute 10.0.1.1
tracert to 10.0.1.1 (10.0.1.1), 1 hops min, 30 hops max, 3 sec. timeout, 3 probes
 1  10.0.1.1  8.276ms 7.542ms 7.304ms
```

As shown above, the traffic between loopback goes directly over the Transit VLAN (here VLAN 2) transported over the ISL.

### Split Situation



AGG-1	AGG-2
<pre>AGG-1# show ip route 10.0.1.2  Displaying ipv4 routes selected for forwarding  '[x/y]' denotes [distance/metric]  10.0.1.2/32, vrf default   via 10.0.0.2, [110/2000], ospf   via 10.0.0.0, [110/2000], ospf  AGG-1# show vsx ip data-path 10.0.1.2/32 IPv4 Data Path Information For 10.0.1.2/32  Local Device ----- Route : 10.0.1.2/32   Egress L3 Interface : 1/1/49    Egress L3 Interface : 1/1/50  VSX peer is not configured  AGG-1# show vsx brief ISL State           : Out-Of-Sync Device State       : Split-System- Primary Keepalive State    : Keepalive- Established</pre>	<pre>AGG-2# show ip route 10.0.1.1  Displaying ipv4 routes selected for forwarding  '[x/y]' denotes [distance/metric]  10.0.1.1/32, vrf default   via 10.0.0.6, [110/2000], ospf   via 10.0.0.4, [110/2000], ospf  AGG-2# show vsx ip data-path 10.0.1.1/32 IPv4 Data Path Information For 10.0.1.1/32  Local Device ----- Route : 10.0.1.1/32   Egress L3 Interface : 1/1/49    Egress L3 Interface : 1/1/50  VSX peer is not configured  AGG-2# show vsx brief ISL State           : Out-Of-Sync Device State       : Split-System- Secondary Keepalive State    : Keepalive- Established</pre>

<pre> Device Role                : primary Number of Multi-chassis LAG interfaces : 1  AGG-1# show vsx status keepalive Keepalive State           : Keepalive-Established Last Established          : Wed Dec 18 15:23:37 2019 Last Failed               : Wed Dec 18 13:06:54 2019 Peer System Id           : 02:01:00:00:01:00 Peer Device Role          : secondary  Keepalive Counters Keepalive Packets Tx      : 8554 Keepalive Packets Rx      : 8506 Keepalive Timeouts       : 0 Keepalive Packets Dropped : 0 </pre>	<pre> Device Role                : secondary Number of Multi-chassis LAG interfaces : 1  AGG-2# sh vsx status keepalive Keepalive State           : Keepalive-Established Last Established          : Wed Dec 18 15:24:11 2019 Last Failed               : Wed Dec 18 13:06:49 2019 Peer System Id           : 02:01:00:00:01:00 Peer Device Role          :  Keepalive Counters Keepalive Packets Tx      : 8673 Keepalive Packets Rx      : 8552 Keepalive Timeouts       : 0 Keepalive Packets Dropped : 0 </pre>
<p><b>AGG-1 / AGG-2</b></p> <pre> AGG-1# traceroute 10.0.1.2 traceroute to 10.0.1.2 (10.0.1.2), 1 hops min, 30 hops max, 3 sec. timeout, 3 probes  1  10.0.0.0  7.035ms  4.419ms  10.271ms  2  10.0.1.2  15.455ms  9.288ms  14.589ms  AGG-2# traceroute 10.0.1.1 traceroute to 10.0.1.1 (10.0.1.1), 1 hops min, 30 hops max, 3 sec. timeout, 3 probes  1  10.0.0.4  15.685ms  17.324ms  11.710ms  2  10.0.1.1  21.630ms  18.922ms  16.793ms </pre>	

As shown in the show ip route and traceroute commands, the traffic between loopbacks is established over the upstream L3 core devices and the VSX keepalive is maintained (not failed). One keepalive packet may be lost due to OSPF convergence time, which takes less than 3 seconds in all cases.

## APPENDIX E – Active-Gateway as Next-Hop router for static routes on upstream L3 Core nodes

As mentioned previously in this guide, it is a best practice to configure VSX active-forwarding on the upstream Transit SVIs between the VSX cluster and the Core layer (SVI 101/102/201/202). This provides two major benefits: this saves the ISL bandwidth and avoid sub-optimal data-path, and this provides High-Availability in case of one VSX node failure as the other VSX node will process the L3 lookup on behalf of its peer. VSX Active-Forwarding fits really well for dynamic routing like OSPF where L3 Core devices have VSX primary and VSX secondary as next-hop routers in their respective routing table. However, when 3<sup>rd</sup> party L3 core devices are active/standby firewalls without any dynamic routing but static routing (due to software limitations or due to design choice), the previous best practice induces the following constraints:

- L3 core devices must support ECMP for static routing.
- L3 core devices must be configured with two static routes: one per next-hop IP address (VSX primary, VSX secondary)

To alleviate firewall configuration or if ECMP is not supported, active-gateway is a valid alternative as a next-hop router.

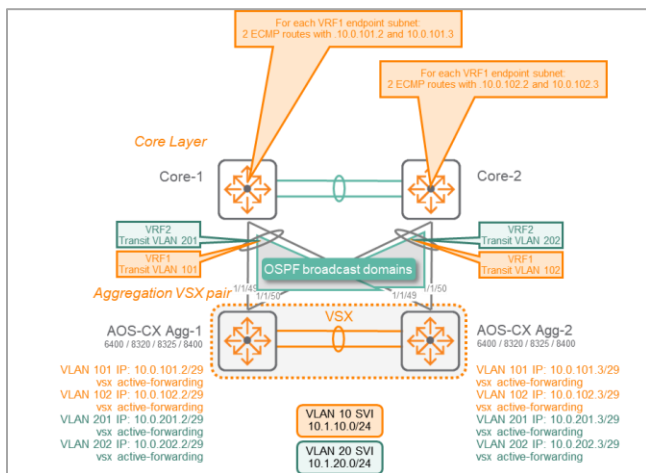


Fig.1: SVI interface next-hop + active-forwarding

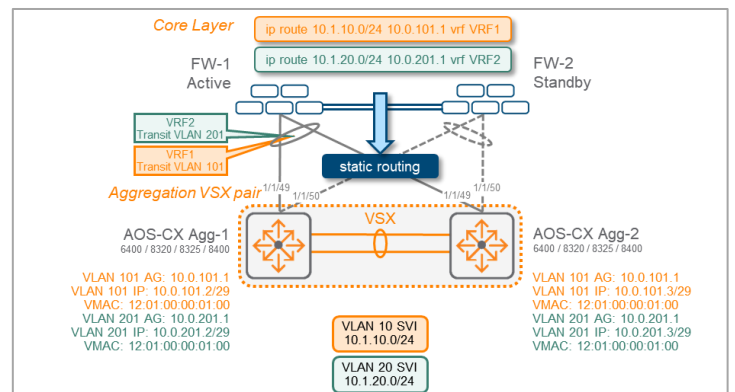


Fig.2: Active-gateway as next-hop (no active-forwarding)

Figure 1 shows the traditional usage of dynamic routing over the multiple Transit VLANs and SVIs, whereas Figure 2 shows the specific use-case of active/standby firewall with static routing and active-gateway as the next-hop router.

**Note:** Active-forwarding and active-gateway are mutually exclusive on the same SVI. This is perfectly fine as their associated usages are mutually exclusive as well.

This configuration will achieve the same level of High-Availability as active-forwarding in case of a VSX node failure. The active-gateway Virtual IP address is still accessible if one of the VSX node fails.

Here is the configuration extract of this active/standby firewall use-case with static routing:

AGG-1(config)#	AGG-2(config)#
<pre>no ip icmp redirect interface lag 101 multi-chassis   no shutdown   description FW-1 VSX LAG   no routing   vlan trunk native 1   vlan trunk allowed 101,201   lacp mode active   spanning-tree bpd-filter interface lag 102 multi-chassis   no shutdown   description FW-2 VSX LAG</pre>	<pre>no ip icmp redirect interface lag 101 multi-chassis   no shutdown</pre> <p style="text-align: center;"><b>synchronized</b></p> <pre>interface lag 102 multi-chassis   no shutdown</pre> <p style="text-align: center;"><b>synchronized</b></p>



<pre> no routing vlan trunk native 1 vlan trunk allowed 101,201 lACP mode active spanning-tree bpdu-filter interface vlan101 vsx-sync active-gateways vrf attach VRF1 ip mtu 9198 ip address 10.0.101.2/29 active-gateway ip mac 12:01:00:00:01:00 active-gateway ip 10.0.101.1 interface vlan201 vsx-sync active-gateways vrf attach VRF2 ip mtu 9198 ip address 10.0.201.2/29 active-gateway ip mac 12:01:00:00:01:00 active-gateway ip 10.0.201.1 ... ip route 0.0.0.0/0 &lt;firewall_ip_address&gt; vrf VRF1 ip route 0.0.0.0/0 &lt;firewall_ip_address&gt; vrf VRF2 </pre>	<pre> interface vlan101 vrf attach VRF1 ip mtu 9198 ip address 10.0.101.3/29 <span style="background-color: orange; color: white; padding: 2px;">synchronized</span> interface vlan201 vrf attach VRF2 ip mtu 9198 ip address 10.0.201.3/29 <span style="background-color: orange; color: white; padding: 2px;">synchronized</span> ip route 0.0.0.0/0 &lt;firewall_ip_address&gt; vrf VRF1 ip route 0.0.0.0/0 &lt;firewall_ip_address&gt; vrf VRF2 </pre>
---	--

#### FW-1 / FW-2

```

admin@PA-500> show routing route
flags: A:active, ?:loose, C:connect, H:host, S:static, ~:internal, R:rip, O:ospf, B:bgp,
Oi:ospf intra-area, Oo:ospf inter-area, O1:ospf ext-type-1, O2:ospf ext-type-2

```

```

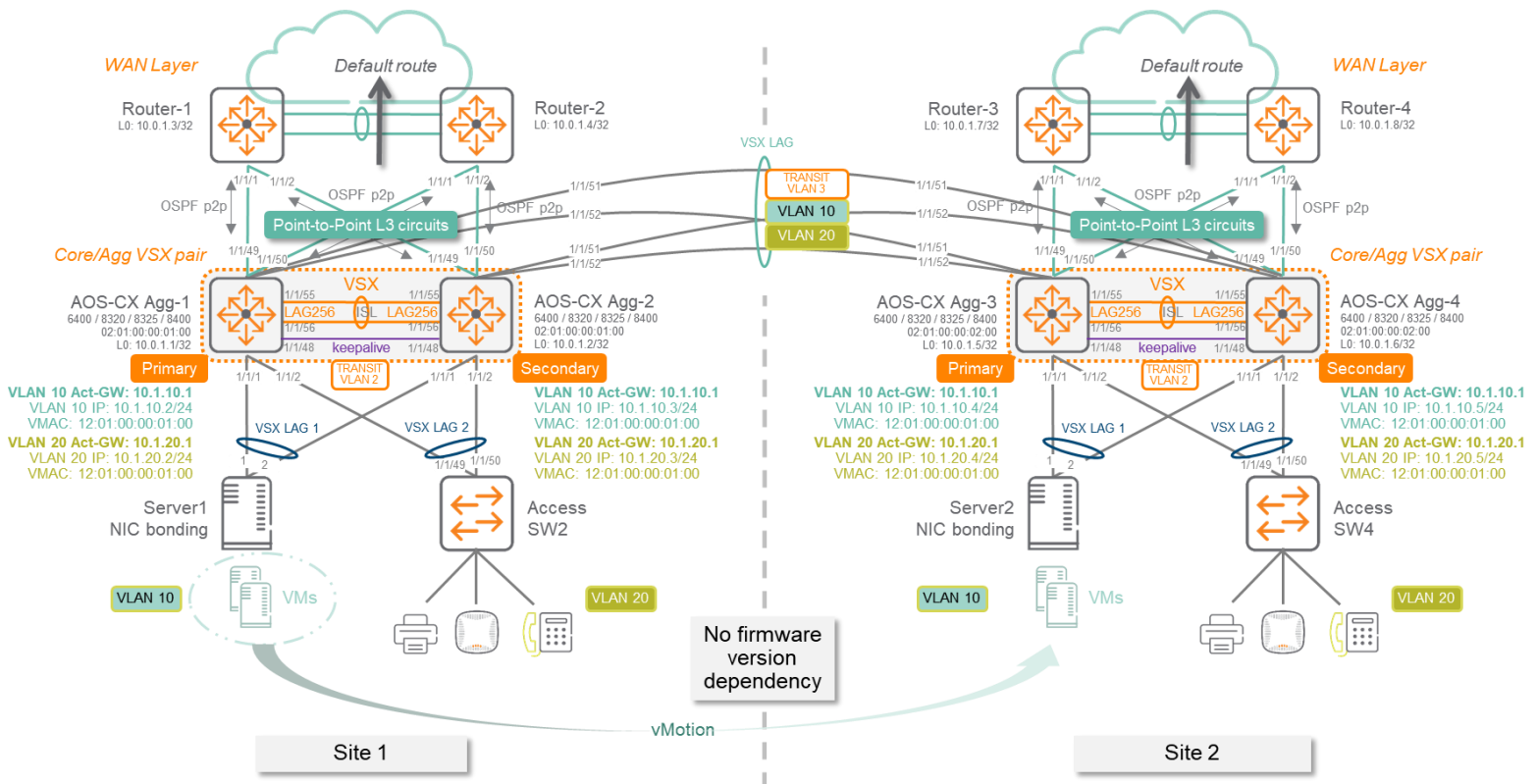
VIRTUAL ROUTER: VRF1 (id 2)
=====
destination    nexthop        metric flags   age   interface    next-AS
10.1.10.0/24   10.0.101.1    10     A S         age     ael.101
VIRTUAL ROUTER: VRF2 (id 3)
=====
destination    nexthop        metric flags   age   interface    next-AS
10.1.20.0/24   10.0.201.1    10     A S         age     ael.201

```

A similar configuration can be used for a single VRF routing model. In that case, a single Transit VLAN is used or if no upstream VSX LAG is used, a L3 point-to-point link is used instead.

## APPENDIX F – VLAN extension between two VSX clusters

For VLAN extension requirements between two sites, typically for dual-head active/active datacenters, it is possible to interconnect both sites with a VSX LAG transporting the extended VLANs, over optical paths. In such scenario, there is no filtering of L2 broadcast traffic and Layer 2 domains are fully extended between both sites. Spanning-tree protection can be kept local to each Datacenter for simplicity and easier troubleshooting assuming that no L2 loop can be created between DCs. This can be achieved with STP BPDU filtering on inter-site aggregated link.



Active-gateway is the L3 default-gateway anycast virtual IP address hosted by both VSX nodes inside the same VSX cluster with the same virtual MAC address. Most of the time, when L2 extension is required between sites, it is also required to provide active/active L3 default-gateway Virtual IP and Virtual MAC functionality:

- Most of the traffic from and to the VM should stay local to each Site/Datacenter and does not have to cross the inter-site circuit in order to reach a destination IP address that is known inside the routing domain of the local site. This is the active/active routing model requirement.
- A Virtual Machine move from one hypervisor in Site 1 to another hypervisor in Site 2 must be transparent for the ARP table of the VM.

In addition, the routing architecture may require to maintain service continuity in case of loss of the Service Provider circuits at one of the site. Site1 and Site2 should exchange their LAG routing tables through a dedicated Transit VLAN (3) for the routing protocols (OSPF/BGP).

Operational note: there is no software dependency between VSX clusters, which offers flexibility for upgrade.

---

**Considerations for 832x: VLAN extension and asymmetric SVIs for 8320 / 8325 platform**

When an active-gateway is configured, the associated Virtual MAC is considered as a local router MAC address. Consequently, any routed traffic with a Destination MAC being this active-gateway VMAC will be processed locally by the switch.

On 8320/8325, a look-up is processed locally to the switch if the Dest\_MAC matches an existing router MAC, even if there is no associated SVI configured on the local switch for the said VLAN the packet comes from. This behavior is different on 8400 and 6400: if there is no SVI configured locally to the 8400/6400 switch for a given VLAN, the traffic is bridged normally to the switch hosting the active-gateway function for that VLAN.

Consequently, on a given 832x VSX pair configured with some SVIs and active-gateways distributed on both sites, if a VLAN is extended without corresponding local L3 interface, with the associated SVI hosted at the other site with the same VMAC than common/distributed active-gateway VMAC, the packet to the SVI default-gateway will be dropped on this VSX pair that does not host the said SVI.

**Supported Case#1:** VLANs 10, 20 and their associated VLAN interfaces (SVIs) are configured on Agg1/Agg2/Agg3/Agg4. All SVIs (L3 VLAN interfaces) configuration area mirrored between Site1 and Site2. This is the simplest model.

**Supported Case#2:** VLANs 10, 20 and their associated VLAN interfaces (SVIs) are configured on Agg1/Agg2/Agg3/Agg4. VLANs 30 and associated SVI30 is configured on Agg1/Agg2 (VLAN 30 and SVI 30 are not configured on Agg3/Agg4). When additional VLANs and associated SVIs are needed on Site1, the VLANs are not extended to Site2.

**Unsupported Case#3 (832x):** VLAN 10,20,30 are configured on Agg1/Agg2/Agg3/Agg4. SVI10, SVI20 are configured on all nodes. However, SVI30 is configured only on Agg1/Agg2, not on Agg3/Agg4. Using same active-gateway VMAC, this scenario is not supported and routed traffic from VLAN 30 on Agg3/Agg4 to SVI10/SVI20 will be dropped.

**Case#3 (832x) is supported with the following guidance:**

When a VLAN must be extended on both sites with the associated SVI configured only on one site, the said asymmetric SVI **must use a different Virtual MAC** than the VMAC used for other mirrored SVIs.

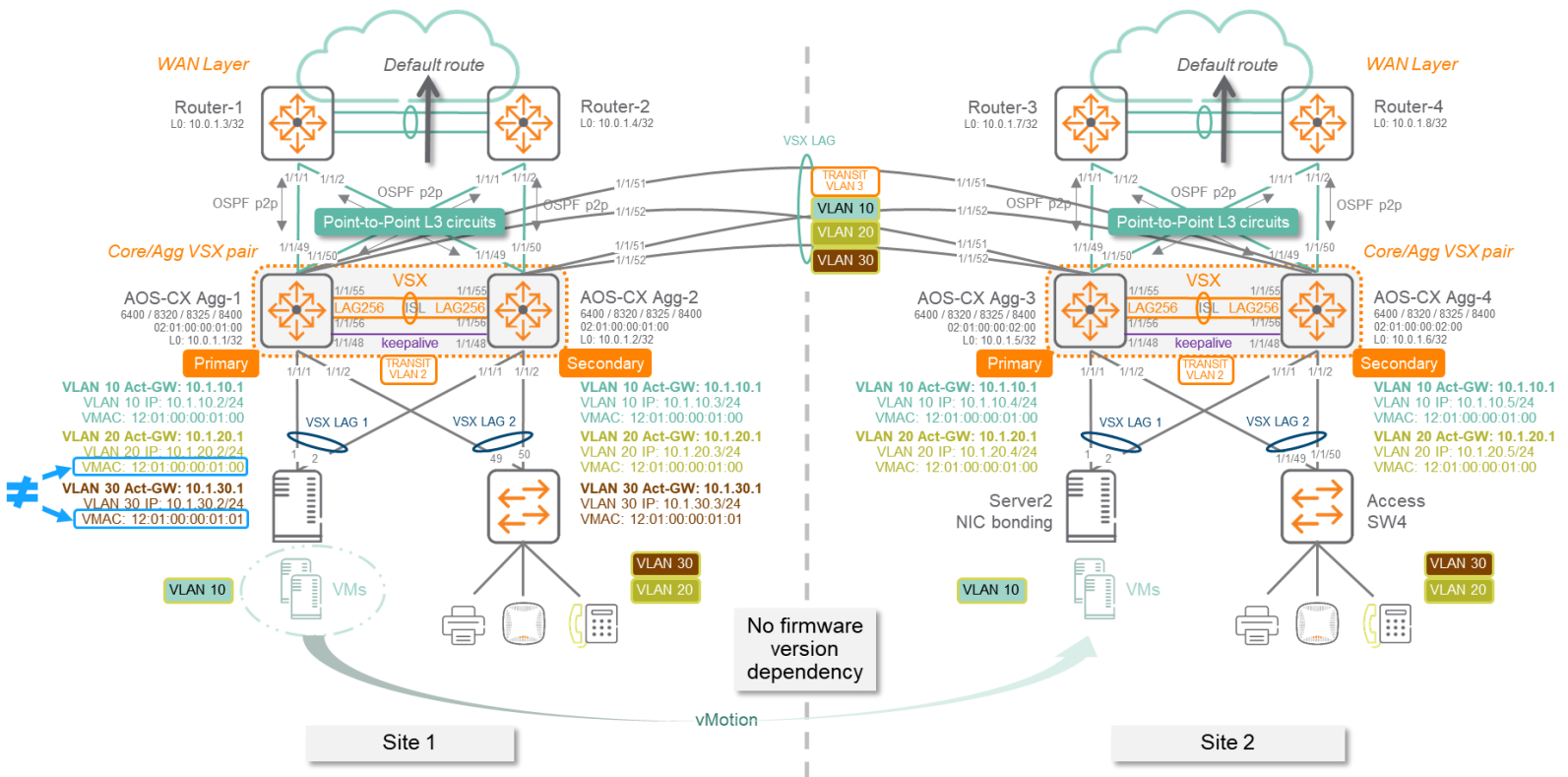
In the drawing below, SVI 30 active-gateway VMAC is 12:01:00:00:01:01, different than 12:01:00:00:01:00 used for SVI10 and SVI20. This new VMAC value can be used for a new set of asymmetric SVIs configured only in site1.

Similarly, if a new set of asymmetric SVIs must be configured on Site2, another VMAC value (ex: 12:01:00:00:01:02) can be used for all SVIs configured only on Site2.

This option will be the reference design for our configuration examples below.

This guidance is not required for 6400/8400 as previously explained.

---



**Note: ARP traffic increase**

Please note that for each ARP request of default-gateway resolution, each node hosting the L3 active-gateway Virtual IP will reply with the same Virtual MAC. Consequently, one default-gateway ARP request will generate 4 responses. Although this mechanism is fully supported, this unusual additional ARP traffic must be considered when troubleshooting. The associated traffic volume for such ARP\_1\_request/4\_response is generally considered as negligible compared to the inter-site available bandwidth.

The active-gateway VMAC value on Site2 can not follow the exact guidance exposed earlier in this document page 15 as the VMAC on Site2 is the same than on Site1, whereas the VSX system-mac is different between VSX clusters.

The following configuration examples do not include all the other best practices that are recommended for other aspects like management or authentication as the focus is the VSX configuration and the associated impacts. These other best practices are described in the Campus Validated Reference Design document. The following examples provide only the extract of the configuration that is required for VSX deployment best practices. For a multi-VRFs model, a similar configuration can be extracted by leveraging the multi-VRF examples. The example design contains four physical circuits for inter-site connectivity (two physical circuits can be used instead of four due to cost or fiber constraints).

**Servers NICs Bonding**

It is assumed that server NICs are configured with LACP for aggregated NICs. (It could also be static LAG).

## Access Switch Configuration

### Access Switch-2 : AOS-S (2930)

```
hostname "ACC-2"
jumbo max-frame-size 9122
trunk 49-50 Trk1 lacp
spanning-tree
spanning-tree bpdu-protection-timeout 3600
spanning-tree Trk1 loop-guard
spanning-tree 1 admin-edge-port
spanning-tree 1 tcn-guard bpdu-protection
spanning-tree 2 admin-edge-port
spanning-tree 2 tcn-guard bpdu-protection
...
spanning-tree 48 admin-edge-port
spanning-tree 48 tcn-guard bpdu-protection
loop-protect 1-48
loop-protect disable-timer 3600
vlan 1
    name "DEFAULT_VLAN"
    no untagged Trk1
    untagged 1,3-48,51-52
    no ip address
    exit
vlan 10
    name "VLAN10"
    tagged 1,Trk1
    no ip address
    jumbo
    exit
vlan 20
    name "VLAN20"
    tagged 5,Trk1
    no ip address
    jumbo
    exit
vlan 30
    name "VLAN30"
    untagged 2,Trk1
    no ip address
    jumbo
    exit
```

### Access Switch-4 : AOS-CX (6300)

```
hostname ACC-4
loop-protect re-enable-timer 3600
!
vlan 1,10,20,30
spanning-tree
interface lag 1
    no shutdown
    description UPLINK to AGG
    no routing
    vlan trunk native 1
    vlan trunk allowed 10,20,30
    lacp mode active
    spanning-tree loop-guard
interface 1/1/1
    no shutdown
    mtu 9000
    description Endpoint1
    no routing
    vlan access 10
    spanning-tree bpdu-guard
    spanning-tree port-type admin-edge
    spanning-tree tcn-guard
    loop-protect
interface 1/1/2
    no shutdown
```

```

mtu 9000
description Endpoint2
no routing
vlan access 20
spanning-tree bpdu-guard
spanning-tree port-type admin-edge
spanning-tree tcu-guard
loop-protect
interface 1/1/3
no shutdown
mtu 9000
description Endpoint3
no routing
vlan access 30
spanning-tree bpdu-guard
spanning-tree port-type admin-edge
spanning-tree tcu-guard
loop-protect
interface 1/1/49
no shutdown
mtu 9100
lag 1
interface 1/1/50
no shutdown
mtu 9100
lag 1

```

## Aggregation Switch configuration

### AGG-1

```

hostname AGG-1
no ip icmp redirect
vrf KA
!
router ospf 1
router-id 10.0.1.1
max-metric router-lsa on-startup
passive-interface default
graceful-restart restart-interval 300
trap-enable
area 0.0.0.0
access-list ip IOT-1
vsx-sync
!
5 permit tcp 10.1.0.0/255.255.0.0 10.99.1.0/255.255.255.0 eq 1080
10 deny any 10.1.0.0/255.255.0.0 10.99.1.0/255.255.255.0
1000 permit any any any
vlan 1
vlan 2
vsx-sync
description INTRA-VSX TRANSIT VLAN
vlan 3
vsx-sync
description INTER-SITE TRANSIT VLAN
vlan 10
vsx-sync
vlan 20
vsx-sync
vlan 21
vsx-sync
vlan 22
vsx-sync
vlan 23
vsx-sync
vlan 24
vsx-sync
vlan 25
vsx-sync
vlan 26
vsx-sync
vlan 27

```

```

    vsx-sync
vlan 28
    vsx-sync
vlan 29
    vsx-sync
vlan 30
    vsx-sync
spanning-tree
spanning-tree priority 4
spanning-tree trap topology-change instance 0
qos trust dscp
interface lag 1 multi-chassis
    no shutdown
    description SERVER1
    no routing
    vlan trunk native 1
    vlan trunk allowed 10,20-30
    lacp mode active
    spanning-tree root-guard
interface lag 2 multi-chassis
    no shutdown
    description Access-Switch-2 VSX LAG
    no routing
    vlan trunk native 1
    vlan trunk allowed 10,20-30
    lacp mode active
    spanning-tree root-guard
    apply access-list ip IOT-1 in
interface lag 103 multi-chassis
    no shutdown
    description INTER-SITE VSX LAG
    no routing
    vlan trunk native 1
    vlan trunk allowed 3,10,20-30
    lacp mode active
    spanning-tree bpdu-filter
interface lag 256
    no shutdown
    description ISL link
    no routing
    vlan trunk native 1 tag
    vlan trunk allowed all
    lacp mode active
interface 1/1/1
    no shutdown
    mtu 9100
    description SERVER-1
    lag 1
interface 1/1/2
    no shutdown
    mtu 9100
    description ACC-2
    lag 2
interface 1/1/48
    no shutdown
    vrf attach KA
    description VSX keepalive
    ip address 192.168.0.0/31
interface 1/1/49
    no shutdown
    mtu 9198
    description ROUTER-1 1/1/1
    ip mtu 9198
    ip address 10.0.0.1/31
    ip ospf 1 area 0.0.0.0
    no ip ospf passive
    ip ospf cost 1000
    ip ospf network point-to-point
    ip ospf authentication message-digest
    ip ospf message-digest-key 1 md5 ciphertext AQBapcc35qrr0SnZBBka0Zgl7scoOzf9+wPnYW36nvk3HA5oBQAAAJb1UbLX
interface 1/1/50

```

```

no shutdown
mtu 9198
description ROUTER-2 1/1/1
ip mtu 9198
ip address 10.0.0.3/31
ip ospf 1 area 0.0.0.0
no ip ospf passive
ip ospf cost 1000
ip ospf network point-to-point
ip ospf authentication message-digest
ip ospf message-digest-key 1 md5 ciphertext AQBapcc35qrr0SnZBBka0Zgl7scoOzf9+wPnYW36nvk3HA5oBQAAAjB1UbLX
interface 1/1/51
no shutdown
mtu 9198
description INTER-SITE link
lag 103
interface 1/1/52
no shutdown
mtu 9198
description INTER-SITE link
lag 103
interface 1/1/55
no shutdown
mtu 9198
description ISL physical link
lag 256
interface 1/1/56
no shutdown
mtu 9198
description ISL physical link
lag 256
interface loopback 0
ip address 10.0.1.1/32
ip ospf 1 area 0.0.0.0
interface vlan2
ip mtu 9198
ip address 10.0.2.1/30
ip ospf 1 area 0.0.0.0
no ip ospf passive
ip ospf cost 50
ip ospf network point-to-point
ip ospf authentication message-digest
ip ospf message-digest-key 1 md5 ciphertext AQBapcc35qrr0SnZBBka0Zgl7scoOzf9+wPnYW36nvk3HA5oBQAAAjB1UbLX
interface vlan3
ip mtu 9198
vsx active-forwarding
ip address 10.0.3.1/29
ip ospf 1 area 0.0.0.0
no ip ospf passive
ip ospf cost 100
ip ospf authentication message-digest
ip ospf message-digest-key 1 md5 ciphertext AQBapcc35qrr0SnZBBka0Zgl7scoOzf9+wPnYW36nvk3HA5oBQAAAjB1UbLX
interface vlan10
vsx-sync active-gateways
ip mtu 9100
ip address 10.1.10.2/24
ip address 10.2.10.2/24 secondary
active-gateway ip mac 12:01:00:00:01:00
active-gateway ip 10.1.10.1
active-gateway ip 10.2.10.1
ip helper-address 10.99.10.9
ip ospf 1 area 0.0.0.0
interface vlan20
vsx-sync active-gateways
ip mtu 9100
ip address 10.1.20.2/24
ip address 10.2.20.2/24 secondary
active-gateway ip mac 12:01:00:00:01:00
active-gateway ip 10.1.20.1
active-gateway ip 10.2.20.1
ip ospf 1 area 0.0.0.0

```



```

interface vlan30
  vsx-sync active-gateways
  ip mtu 9100
  ip address 10.1.30.2/24
  ip address 10.2.30.2/24 secondary
  active-gateway ip mac 12:01:00:00:01:01
  active-gateway ip 10.1.30.1
  active-gateway ip 10.2.30.1
  ip ospf 1 area 0.0.0.0
vsx
  system-mac 02:01:00:00:01:00
  inter-switch-link lag 256
  role primary
  keepalive peer 192.168.0.1 source 192.168.0.0 vrf KA
  vsx-sync aaa acl-log-timer bfd-global bgp copp-policy dhcp-relay dhcp-server dhcp-snooping dns icmp-tcp lldp loop-
protect-global mac-lockout mclag-interfaces neighbor ospf qos-global route-map sflow-global snmp ssh stp-global time vsx-
global

```

## AGG-2

```

hostname AGG-2
no ip icmp redirect
vrf KA
!
router ospf 1
  router-id 10.0.1.2
  max-metric router-lsa on-startup
  passive-interface default
  graceful-restart restart-interval 300
  trap-enable
  area 0.0.0.0
access-list ip IOT-1
  vsx-sync
  !
  5 permit tcp 10.1.0.0/255.255.0.0 10.99.1.0/255.255.255.0 eq 1080
  10 deny any 10.1.0.0/255.255.0.0 10.99.1.0/255.255.255.0
  1000 permit any any any
vlan 1
vlan 2
  vsx-sync
  description INTRA-VSX TRANSIT VLAN
vlan 3
  vsx-sync
  description INTER-SITE TRANSIT VLAN
vlan 10
  vsx-sync
vlan 20
  vsx-sync
vlan 21
  vsx-sync
vlan 22
  vsx-sync
vlan 23
  vsx-sync
vlan 24
  vsx-sync
vlan 25
  vsx-sync
vlan 26
  vsx-sync
vlan 27
  vsx-sync
vlan 28
  vsx-sync
vlan 29
  vsx-sync
vlan 30
  vsx-sync
spanning-tree
spanning-tree priority 4
spanning-tree trap topology-change instance 0
qos trust dscp

```

```

interface lag 1 multi-chassis
  no shutdown
  description SERVER1
  no routing
  vlan trunk native 1
  vlan trunk allowed 10,20-30
  lacp mode active
  spanning-tree root-guard
interface lag 2 multi-chassis
  no shutdown
  description Access-Switch-2 VSX LAG
  no routing
  vlan trunk native 1
  vlan trunk allowed 10,20-30
  lacp mode active
  spanning-tree root-guard
  apply access-list ip IOT-1 in
interface lag 103 multi-chassis
  no shutdown
  description INTER-SITE VSX LAG
  no routing
  vlan trunk native 1
  vlan trunk allowed 3,10,20-30
  lacp mode active
  spanning-tree bpdu-filter
interface lag 256
  no shutdown
  description ISL link
  no routing
  vlan trunk native 1 tag
  vlan trunk allowed all
  lacp mode active
interface 1/1/1
  no shutdown
  mtu 9100
  description SERVER-1
  lag 1
interface 1/1/2
  no shutdown
  mtu 9100
  description ACC-2
  lag 2
interface 1/1/48
  no shutdown
  vrf attach KA
  description VSX keepalive
  ip address 192.168.0.1/31
interface 1/1/49
  no shutdown
  mtu 9198
  description ROUTER-1 1/1/2
  ip mtu 9198
  ip address 10.0.0.5/31
  ip ospf 1 area 0.0.0.0
  no ip ospf passive
  ip ospf cost 1000
  ip ospf network point-to-point
  ip ospf authentication message-digest
  ip ospf message-digest-key 1 md5 ciphertext AQBapcc35qrr0SnZBBka0Zgl7scoOzf9+wPnYW36nvk3HA5oBQAAAj1UbLX
interface 1/1/50
  no shutdown
  mtu 9198
  description ROUTER-2 1/1/2
  ip mtu 9198
  ip address 10.0.0.7/31
  ip ospf 1 area 0.0.0.0
  no ip ospf passive
  ip ospf cost 1000
  ip ospf network point-to-point
  ip ospf authentication message-digest
  ip ospf message-digest-key 1 md5 ciphertext AQBapcc35qrr0SnZBBka0Zgl7scoOzf9+wPnYW36nvk3HA5oBQAAAj1UbLX

```

```

interface 1/1/51
  no shutdown
  mtu 9198
  description INTER-SITE link
  lag 103
interface 1/1/52
  no shutdown
  mtu 9198
  description INTER-SITE link
  lag 103
interface 1/1/55
  no shutdown
  mtu 9198
  description ISL physical link
  lag 256
interface 1/1/56
  no shutdown
  mtu 9198
  description ISL physical link
  lag 256
interface loopback 0
  ip address 10.0.1.2/32
  ip ospf 1 area 0.0.0.0
interface vlan2
  ip mtu 9198
  ip address 10.0.2.2/30
  ip ospf 1 area 0.0.0.0
  no ip ospf passive
  ip ospf cost 50
  ip ospf network point-to-point
  ip ospf authentication message-digest
  ip ospf message-digest-key 1 md5 ciphertext AQBapcc35qrr0SnZBBka0Zgl7scoOzf9+wPnYW36nvk3HA5oBQAAAJb1UbLX
interface vlan3
  ip mtu 9198
  vsx active-forwarding
  ip address 10.0.3.2/29
  ip ospf 1 area 0.0.0.0
  no ip ospf passive
  ip ospf cost 100
  ip ospf authentication message-digest
  ip ospf message-digest-key 1 md5 ciphertext AQBapcc35qrr0SnZBBka0Zgl7scoOzf9+wPnYW36nvk3HA5oBQAAAJb1UbLX
interface vlan10
  vsx-sync active-gateways
  ip mtu 9100
  ip address 10.1.10.3/24
  ip address 10.2.10.3/24 secondary
  active-gateway ip mac 12:01:00:00:01:00
  active-gateway ip 10.1.10.1
  active-gateway ip 10.2.10.1
  ip helper-address 10.99.10.9
  ip ospf 1 area 0.0.0.0
interface vlan20
  vsx-sync active-gateways
  ip mtu 9100
  ip address 10.1.20.3/24
  ip address 10.2.20.3/24 secondary
  active-gateway ip mac 12:01:00:00:01:00
  active-gateway ip 10.1.20.1
  active-gateway ip 10.2.20.1
  ip ospf 1 area 0.0.0.0
interface vlan30
  vsx-sync active-gateways
  ip mtu 9100
  ip address 10.1.30.3/24
  ip address 10.2.30.3/24 secondary
  active-gateway ip mac 12:01:00:00:01:01
  active-gateway ip 10.1.30.1
  active-gateway ip 10.2.30.1
  ip ospf 1 area 0.0.0.0
vsx
  system-mac 02:01:00:00:01:00

```

```

inter-switch-link lag 256
role secondary
keepalive peer 192.168.0.0 source 192.168.0.1 vrf KA
vsx-sync aaa acl-log-timer bfd-global bgp copp-policy dhcp-relay dhcp-server dhcp-snooping dns icmp-tcp lldp loop-
protect-global mac-lockout mclag-interfaces neighbor ospf qos-global route-map sflow-global snmp ssh stp-global time vsx-
global

```

### AGG-3

```

hostname AGG-3
no ip icmp redirect
vrf KA
!
router ospf 1
router-id 10.0.1.5
max-metric router-lsa on-startup
passive-interface default
graceful-restart restart-interval 300
trap-enable
area 0.0.0.0
access-list ip IOT-1
vsx-sync
!
5 permit tcp 10.1.0.0/255.255.0.0 10.99.1.0/255.255.255.0 eq 1080
10 deny any 10.1.0.0/255.255.0.0 10.99.1.0/255.255.255.0
1000 permit any any any
vlan 1
vlan 2
vsx-sync
description INTRA-VSX TRANSIT VLAN
vlan 3
vsx-sync
description INTER-SITE TRANSIT VLAN
vlan 10
vsx-sync
vlan 20
vsx-sync
vlan 21
vsx-sync
vlan 22
vsx-sync
vlan 23
vsx-sync
vlan 24
vsx-sync
vlan 25
vsx-sync
vlan 26
vsx-sync
vlan 27
vsx-sync
vlan 28
vsx-sync
vlan 29
vsx-sync
vlan 30
vsx-sync
spanning-tree
spanning-tree priority 6
spanning-tree trap topology-change instance 0
qos trust dscp
interface lag 1 multi-chassis
no shutdown
description SERVER2
no routing
vlan trunk native 1
vlan trunk allowed 10,20-30
lacp mode active
spanning-tree root-guard
interface lag 2 multi-chassis
no shutdown
description Access-Switch-4 VSX LAG

```

```

no routing
vlan trunk native 1
vlan trunk allowed 10,20-30
lACP mode active
spanning-tree root-guard
apply access-list ip IOT-1 in
interface lag 103 multi-chassis
no shutdown
description INTER-SITE VSX LAG
no routing
vlan trunk native 1
vlan trunk allowed 3,10,20-30
lACP mode active
spanning-tree bpdu-filter
interface lag 256
no shutdown
description ISL link
no routing
vlan trunk native 1 tag
vlan trunk allowed all
lACP mode active
interface 1/1/1
no shutdown
mtu 9100
description SERVER-2
lag 1
interface 1/1/2
no shutdown
mtu 9100
description ACC-4
lag 2
interface 1/1/48
no shutdown
vrf attach KA
description VSX keepalive
ip address 192.168.0.2/31
interface 1/1/49
no shutdown
mtu 9198
description ROUTER-3 1/1/1
ip mtu 9198
ip address 10.0.0.9/31
ip ospf 1 area 0.0.0.0
no ip ospf passive
ip ospf cost 1000
ip ospf network point-to-point
ip ospf authentication message-digest
ip ospf message-digest-key 1 md5 ciphertxt AQBapcc35qrr0SnZBBka0Zg17scoOzf9+wPnYW36nvk3HA5oBQAAAjB1UbLX
interface 1/1/50
no shutdown
mtu 9198
description ROUTER-4 1/1/1
ip mtu 9198
ip address 10.0.0.11/31
ip ospf 1 area 0.0.0.0
no ip ospf passive
ip ospf cost 1000
ip ospf network point-to-point
ip ospf authentication message-digest
ip ospf message-digest-key 1 md5 ciphertxt AQBapcc35qrr0SnZBBka0Zg17scoOzf9+wPnYW36nvk3HA5oBQAAAjB1UbLX
interface 1/1/51
no shutdown
mtu 9198
description INTER-SITE link
lag 103
interface 1/1/52
no shutdown
mtu 9198
description INTER-SITE link
lag 103
interface 1/1/55

```

```

    no shutdown
    mtu 9198
    description ISL physical link
    lag 256
interface 1/1/56
    no shutdown
    mtu 9198
    description ISL physical link
    lag 256
interface loopback 0
    ip address 10.0.1.5/32
    ip ospf 1 area 0.0.0.0
interface vlan2
    ip mtu 9198
    ip address 10.0.2.5/30
    ip ospf 1 area 0.0.0.0
    no ip ospf passive
    ip ospf cost 50
    ip ospf network point-to-point
    ip ospf authentication message-digest
    ip ospf message-digest-key 1 md5 ciphertext AQBapcc35qrr0SnZBBka0Zgl7scoOzf9+wPnYW36nvk3HA5oBQAAAjB1UbLX
interface vlan3
    ip mtu 9198
    vx active-forwarding
    ip address 10.0.3.3/29
    ip ospf 1 area 0.0.0.0
    no ip ospf passive
    ip ospf cost 100
    ip ospf authentication message-digest
    ip ospf message-digest-key 1 md5 ciphertext AQBapcc35qrr0SnZBBka0Zgl7scoOzf9+wPnYW36nvk3HA5oBQAAAjB1UbLX
interface vlan10
    vx-sync active-gateways
    ip mtu 9100
    ip address 10.1.10.4/24
    ip address 10.2.10.4/24 secondary
    active-gateway ip mac 12:01:00:00:01:00
    active-gateway ip 10.1.10.1
    active-gateway ip 10.2.10.1
    ip helper-address 10.99.10.9
    ip ospf 1 area 0.0.0.0
interface vlan20
    vx-sync active-gateways
    ip mtu 9100
    ip address 10.1.20.4/24
    ip address 10.2.20.4/24 secondary
    active-gateway ip mac 12:01:00:00:01:00
    active-gateway ip 10.1.20.1
    active-gateway ip 10.2.20.1
    ip ospf 1 area 0.0.0.0
vsx
    system-mac 02:01:00:00:02:00
    inter-switch-link lag 256
    role primary
    keepalive peer 192.168.0.3 source 192.168.0.2 vrf KA
    vx-sync aaa acl-log-timer bfd-global bgp copp-policy dhcp-relay dhcp-server dhcp-snooping dns icmp-tcp lldp loop-
protect-global mac-lockout mclag-interfaces neighbor ospf qos-global route-map sflow-global snmp ssh stp-global time vx-
global

```

#### AGG-4

```

hostname AGG-4
no ip icmp redirect
vrf KA
!
router ospf 1
    router-id 10.0.1.6
    max-metric router-lsa on-startup
    passive-interface default
    graceful-restart restart-interval 300
    trap-enable
    area 0.0.0.0
access-list ip IOT-1

```

```

vsx-sync
!
5 permit tcp 10.1.0.0/255.255.0.0 10.99.1.0/255.255.255.0 eq 1080
10 deny any 10.1.0.0/255.255.0.0 10.99.1.0/255.255.255.0
1000 permit any any any
vlan 1
vlan 2
vsx-sync
description INTRA-VSX TRANSIT VLAN
vlan 3
vsx-sync
description INTER-SITE TRANSIT VLAN
vlan 10
vsx-sync
vlan 20
vsx-sync
vlan 21
vsx-sync
vlan 22
vsx-sync
vlan 23
vsx-sync
vlan 24
vsx-sync
vlan 25
vsx-sync
vlan 26
vsx-sync
vlan 27
vsx-sync
vlan 28
vsx-sync
vlan 29
vsx-sync
vlan 30
vsx-sync
spanning-tree
spanning-tree priority 6
spanning-tree trap topology-change instance 0
qos trust dscp
interface lag 1 multi-chassis
no shutdown
description SERVER2
no routing
vlan trunk native 1
vlan trunk allowed 10,20-30
lACP mode active
spanning-tree root-guard
interface lag 2 multi-chassis
no shutdown
description Access-Switch-4 VSX LAG
no routing
vlan trunk native 1
vlan trunk allowed 10,20-30
lACP mode active
spanning-tree root-guard
apply access-list ip IOT-1 in
interface lag 103 multi-chassis
no shutdown
description INTER-SITE VSX LAG
no routing
vlan trunk native 1
vlan trunk allowed 3,10,20-30
lACP mode active
spanning-tree bPDU-filter
interface lag 256
no shutdown
description ISL link
no routing
vlan trunk native 1 tag
vlan trunk allowed all

```

```

    lacp mode active
interface 1/1/1
  no shutdown
  mtu 9100
  description SERVER-2
  lag 1
interface 1/1/2
  no shutdown
  mtu 9100
  description ACC-4
  lag 2
interface 1/1/48
  no shutdown
  vrf attach KA
  description VSX keepalive
  ip address 192.168.0.3/31
interface 1/1/49
  no shutdown
  mtu 9198
  description ROUTER-3 1/1/2
  ip mtu 9198
  ip address 10.0.0.13/31
  ip ospf 1 area 0.0.0.0
  no ip ospf passive
  ip ospf cost 1000
  ip ospf network point-to-point
  ip ospf authentication message-digest
  ip ospf message-digest-key 1 md5 ciphertext AQBapcc35qrr0SnZBBka0Zgl7scoOzf9+wPnYW36nvk3HA5oBQAAAj1UbLX
interface 1/1/50
  no shutdown
  mtu 9198
  description ROUTER-4 1/1/2
  ip mtu 9198
  ip address 10.0.0.15/31
  ip ospf 1 area 0.0.0.0
  no ip ospf passive
  ip ospf cost 1000
  ip ospf network point-to-point
  ip ospf authentication message-digest
  ip ospf message-digest-key 1 md5 ciphertext AQBapcc35qrr0SnZBBka0Zgl7scoOzf9+wPnYW36nvk3HA5oBQAAAj1UbLX
interface 1/1/51
  no shutdown
  mtu 9198
  description INTER-SITE link
  lag 103
interface 1/1/52
  no shutdown
  mtu 9198
  description INTER-SITE link
  lag 103
interface 1/1/55
  no shutdown
  mtu 9198
  description ISL physical link
  lag 256
interface 1/1/56
  no shutdown
  mtu 9198
  description ISL physical link
  lag 256
interface loopback 0
  ip address 10.0.1.6/32
  ip ospf 1 area 0.0.0.0
interface vlan2
  ip mtu 9198
  ip address 10.0.2.6/30
  ip ospf 1 area 0.0.0.0
  no ip ospf passive
  ip ospf cost 50
  ip ospf network point-to-point
  ip ospf authentication message-digest

```



```

    ip ospf message-digest-key 1 md5 ciphertext AQBapcc35qrr0SnZBBka0Zgl7scoOzf9+wPnYW36nvk3HA5oBQAAAj1UbLX
interface vlan3
    ip mtu 9198
    vsx active-forwarding
    ip address 10.0.3.4/29
    ip ospf 1 area 0.0.0.0
    no ip ospf passive
    ip ospf cost 100
    ip ospf authentication message-digest
    ip ospf message-digest-key 1 md5 ciphertext AQBapcc35qrr0SnZBBka0Zgl7scoOzf9+wPnYW36nvk3HA5oBQAAAj1UbLX
interface vlan10
    vsx-sync active-gateways
    ip mtu 9100
    ip address 10.1.10.5/24
    ip address 10.2.10.5/24 secondary
    active-gateway ip mac 12:01:00:00:01:00
    active-gateway ip 10.1.10.1
    active-gateway ip 10.2.10.1
    ip helper-address 10.99.10.9
    ip ospf 1 area 0.0.0.0
interface vlan20
    vsx-sync active-gateways
    ip mtu 9100
    ip address 10.1.20.5/24
    ip address 10.2.20.5/24 secondary
    active-gateway ip mac 12:01:00:00:01:00
    active-gateway ip 10.1.20.1
    active-gateway ip 10.2.20.1
    ip ospf 1 area 0.0.0.0
vsx
    system-mac 02:01:00:00:02:00
    inter-switch-link lag 256
    role secondary
    keepalive peer 192.168.0.2 source 192.168.0.3 vrf KA
    vsx-sync aaa acl-log-timer bfd-global bgp copp-policy dhcp-relay dhcp-server dhcp-snooping dns icmp-tcp lldp loop-
protect-global mac-lockout mclag-interfaces neighbor ospf qos-global route-map sflow-global snmp ssh stp-global time vsx-
global

```

## Routers Configuration

The configuration of the WAN layer partially reflects the topology (the routed LAG between Router-1/2 is replaced by a single interface 1/1/3)

### ROUTER-1

```

hostname ROUTER-1
!
router ospf 1
    router-id 10.0.1.3
    max-metric router-lsa on-startup
    passive-interface default
    default-information originate always
    graceful-restart restart-interval 300
    trap-enable
    area 0.0.0.0
interface 1/1/1
    no shutdown
    mtu 9198
    ip mtu 9198
    ip address 10.0.0.0/31
    ip ospf 1 area 0.0.0.0
    no ip ospf passive
    ip ospf cost 1000
    ip ospf network point-to-point
    ip ospf authentication message-digest
    ip ospf message-digest-key 1 md5 ciphertext AQBapcc35qrr0SnZBBka0Zgl7scoOzf9+wPnYW36nvk3HA5oBQAAAj1UbLX

```

```

interface 1/1/2
  no shutdown
  mtu 9198
  ip mtu 9198
  ip address 10.0.0.4/31
  ip ospf 1 area 0.0.0.0
  no ip ospf passive
  ip ospf cost 1000
  ip ospf network point-to-point
  ip ospf authentication message-digest
  ip ospf message-digest-key 1 md5 ciphertext AQBapcc35qrr0SnZBBka0Zgl7scoOzf9+wPnYW36nvk3HA5oBQAAAJb1UbLX
interface 1/1/3
  no shutdown
  mtu 9198
  ip mtu 9198
  ip address 10.0.0.252/31
  ip ospf 1 area 0.0.0.0
  no ip ospf passive
  ip ospf cost 1000
  ip ospf network point-to-point
  ip ospf authentication message-digest
  ip ospf message-digest-key 1 md5 ciphertext AQBapcc35qrr0SnZBBka0Zgl7scoOzf9+wPnYW36nvk3HA5oBQAAAJb1UbLX
interface loopback 0
  ip address 10.0.1.3/32
  ip ospf 1 area 0.0.0.0

```

## ROUTER-2

```

hostname ROUTER-2
!
router ospf 1
  router-id 10.0.1.4
  max-metric router-lsa on-startup
  passive-interface default
  default-information originate always
  graceful-restart restart-interval 300
  trap-enable
  area 0.0.0.0
interface 1/1/1
  no shutdown
  mtu 9198
  ip mtu 9198
  ip address 10.0.0.2/31
  ip ospf 1 area 0.0.0.0
  no ip ospf passive
  ip ospf cost 1000
  ip ospf network point-to-point
  ip ospf authentication message-digest
  ip ospf message-digest-key 1 md5 ciphertext AQBapcc35qrr0SnZBBka0Zgl7scoOzf9+wPnYW36nvk3HA5oBQAAAJb1UbLX
interface 1/1/2
  no shutdown
  mtu 9198
  ip mtu 9198
  ip address 10.0.0.6/31
  ip ospf 1 area 0.0.0.0
  no ip ospf passive
  ip ospf cost 1000
  ip ospf network point-to-point
  ip ospf authentication message-digest
  ip ospf message-digest-key 1 md5 ciphertext AQBapcc35qrr0SnZBBka0Zgl7scoOzf9+wPnYW36nvk3HA5oBQAAAJb1UbLX
interface 1/1/3
  no shutdown
  mtu 9198
  ip mtu 9198
  ip address 10.0.0.253/31
  ip ospf 1 area 0.0.0.0
  no ip ospf passive
  ip ospf cost 1000
  ip ospf network point-to-point
  ip ospf authentication message-digest
  ip ospf message-digest-key 1 md5 ciphertext AQBapcc35qrr0SnZBBka0Zgl7scoOzf9+wPnYW36nvk3HA5oBQAAAJb1UbLX
interface loopback 0

```

```
ip address 10.0.1.4/32
ip ospf 1 area 0.0.0.0
```

### ROUTER-3

```
hostname ROUTER-3
!
router ospf 1
  router-id 10.0.1.7
  max-metric router-lsa on-startup
  passive-interface default
  default-information originate always
  graceful-restart restart-interval 300
  trap-enable
  area 0.0.0.0
interface 1/1/1
  no shutdown
  mtu 9198
  ip mtu 9198
  ip address 10.0.0.8/31
  ip ospf 1 area 0.0.0.0
  no ip ospf passive
  ip ospf cost 1000
  ip ospf network point-to-point
  ip ospf authentication message-digest
  ip ospf message-digest-key 1 md5 ciphertext AQBapcc35qrr0SnZBBka0Zgl7scoOzf9+wPnYW36nvk3HA5oBQAAAjB1UbLX
interface 1/1/2
  no shutdown
  mtu 9198
  ip mtu 9198
  ip address 10.0.0.12/31
  ip ospf 1 area 0.0.0.0
  no ip ospf passive
  ip ospf cost 1000
  ip ospf network point-to-point
  ip ospf authentication message-digest
  ip ospf message-digest-key 1 md5 ciphertext AQBapcc35qrr0SnZBBka0Zgl7scoOzf9+wPnYW36nvk3HA5oBQAAAjB1UbLX
interface 1/1/3
  no shutdown
  mtu 9198
  ip mtu 9198
  ip address 10.0.0.250/31
  ip ospf 1 area 0.0.0.0
  no ip ospf passive
  ip ospf cost 1000
  ip ospf network point-to-point
  ip ospf authentication message-digest
  ip ospf message-digest-key 1 md5 ciphertext AQBapcc35qrr0SnZBBka0Zgl7scoOzf9+wPnYW36nvk3HA5oBQAAAjB1UbLX
interface loopback 0
  ip address 10.0.1.7/32
  ip ospf 1 area 0.0.0.0
```

### ROUTER-4

```
hostname ROUTER-4
!
router ospf 1
  router-id 10.0.1.8
  max-metric router-lsa on-startup
  passive-interface default
  default-information originate always
  graceful-restart restart-interval 300
  trap-enable
  area 0.0.0.0
interface 1/1/1
  no shutdown
  mtu 9198
  ip mtu 9198
  ip address 10.0.0.10/31
  ip ospf 1 area 0.0.0.0
  no ip ospf passive
  ip ospf cost 1000
  ip ospf network point-to-point
```

```
ip ospf authentication message-digest
ip ospf message-digest-key 1 md5 ciphertxt AQBapcc35qrr0SnZBBka0Zgl7scoOzf9+wPnYW36nvk3HA5oBQAAAJb1UbLX
interface 1/1/2
no shutdown
mtu 9198
ip mtu 9198
ip address 10.0.0.14/31
ip ospf 1 area 0.0.0.0
no ip ospf passive
ip ospf cost 1000
ip ospf network point-to-point
ip ospf authentication message-digest
ip ospf message-digest-key 1 md5 ciphertxt AQBapcc35qrr0SnZBBka0Zgl7scoOzf9+wPnYW36nvk3HA5oBQAAAJb1UbLX
interface 1/1/3
no shutdown
mtu 9198
ip mtu 9198
ip address 10.0.0.251/31
ip ospf 1 area 0.0.0.0
no ip ospf passive
ip ospf cost 1000
ip ospf network point-to-point
ip ospf authentication message-digest
ip ospf message-digest-key 1 md5 ciphertxt AQBapcc35qrr0SnZBBka0Zgl7scoOzf9+wPnYW36nvk3HA5oBQAAAJb1UbLX
interface loopback 0
ip address 10.0.1.4/32
ip ospf 1 area 0.0.0.0
```