

AP-MNT-MP10-E Mount Kit

Installation Guide

The AP-MNT-MP10-E is a low-profile mount kit for attaching APs to the ceiling or wall. The low-profile design means that there will be limited space between the back of the AP and the mount surface. This mount kit is designed to work with the pre-assembled bracket on the back of the APs. The AP-MNT-MP10-E is one of multiple AP-MNT-MP10 mount kits. For videos and details on which AP-MNT-MP10 mount kit is right for you, visit support.arubanetworks.com, click on the Documentation tab, and navigate to Hardware Installation Guides > AP Mount Kits > AP-MNT-MP10 Mount kits.



A #1 Phillips Head screwdriver is required for installation. Screws used for installation are not provided in this kit. Use #6 or M3.5 screws to secure the mount kit to the wall box.

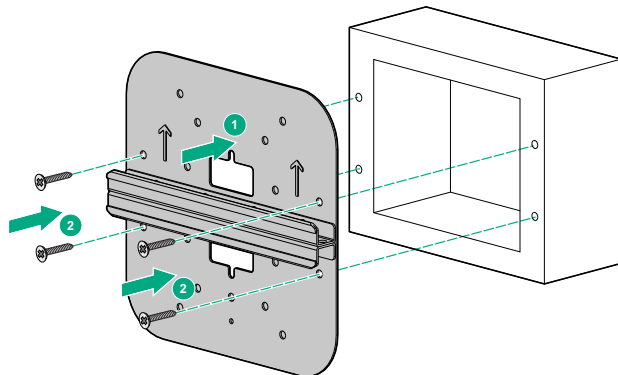
Wall and Ceiling Installation



This mount kit supports multiple AP models. All installation images show the AP-535. This mount kit works with multiple utility boxes.

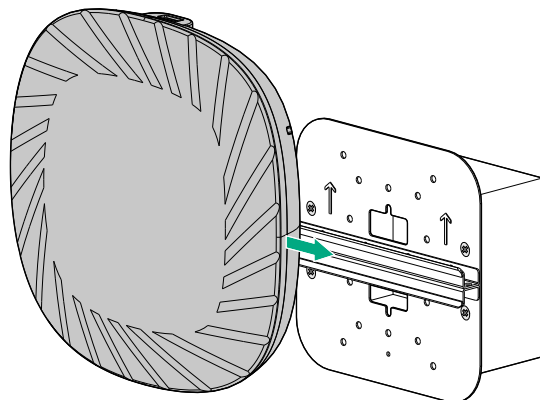
1. Place the mount on the utility box, making sure the relevant holes are aligned and the arrows on the mount are pointing up.

Figure 1 Align Mount Holes with Utility Box Holes



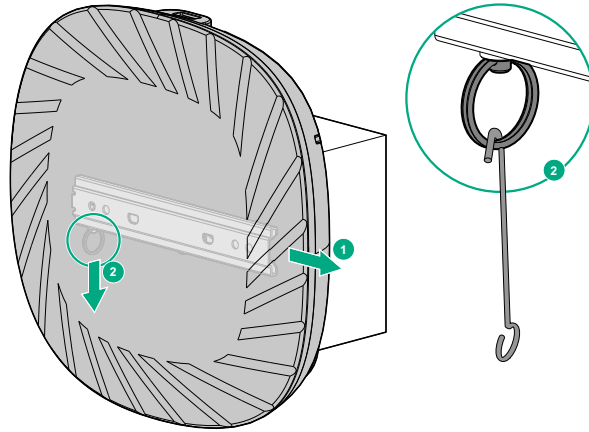
2. Screw the mount in place.
3. Slide the AP bracket onto the mount.

Figure 2 Slide AP Bracket on Mount



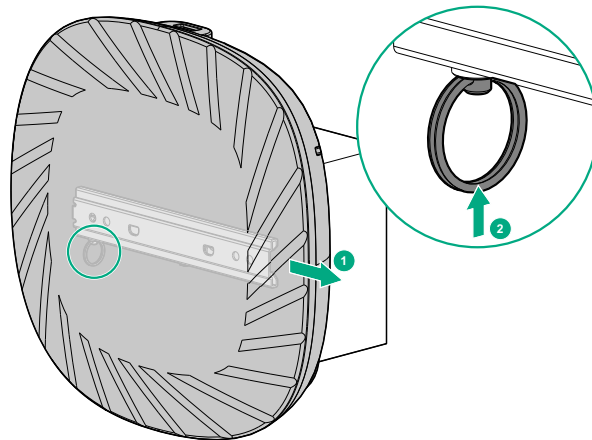
4. Use the included hook tool to pull the lock ring out.

Figure 3 *Pull out Lock Ring*



5. Slide the AP bracket fully into place and release the lock ring.

Figure 4 *Slide AP into Place*



6. Use a #1 Phillips-Head screwdriver to tighten the attached screw.

Figure 5 *Tighten Attached Screw*

